



US00D352438S

**United States Patent** [19]  
**Hattori**

[11] **Patent Number: Des. 352,438**

[45] **Date of Patent: \*\* Nov. 15, 1994**

[54] **WIRE BINDER**  
[75] **Inventor: Takeo Hattori, Tokyo, Japan**  
[73] **Assignee: Max Co., Ltd., Tokyo, Japan**  
[\*\*] **Term: 14 Years**  
[21] **Appl. No.: 14,546**  
[22] **Filed: Oct. 26, 1993**

[30] **Foreign Application Priority Data**  
Apr. 26, 1993 [JP] Japan ..... 5-12397  
[52] **U.S. Cl. .... D8/68**  
[58] **Field of Search ..... D8/61, 68; 140/57, 119;**  
**29/243.5, 275; 72/325, 453.16**

[56] **References Cited**  
**U.S. PATENT DOCUMENTS**  
D. 345,494 3/1994 Lallier ..... D8/68  
4,362,192 12/1982 Furlong et al. .... 140/119

4,834,148 5/1989 Muguruma et al. .... 140/57  
4,880,038 11/1989 Meinershagen ..... 140/119  
5,279,336 1/1994 Kusakari et al. .... 140/119

*Primary Examiner*—Alan P. Douglas  
*Assistant Examiner*—Jeffrey H. Musgrove  
*Attorney, Agent, or Firm*—Cushman, Darby & Cushman

[57] **CLAIM**

The ornamental design for a wire binder, as shown and described.

**DESCRIPTION**

FIG. 1 is a top, front and left side perspective view of a wire binder showing my new design;  
FIG. 2 is a front elevational view thereof;  
FIG. 3 is a top plan view thereof;  
FIG. 4 is a left side elevational view thereof;  
FIG. 5 is a right side elevational view thereof;  
FIG. 6 is a rear elevational view thereof; and,  
FIG. 7 is a bottom view thereof.

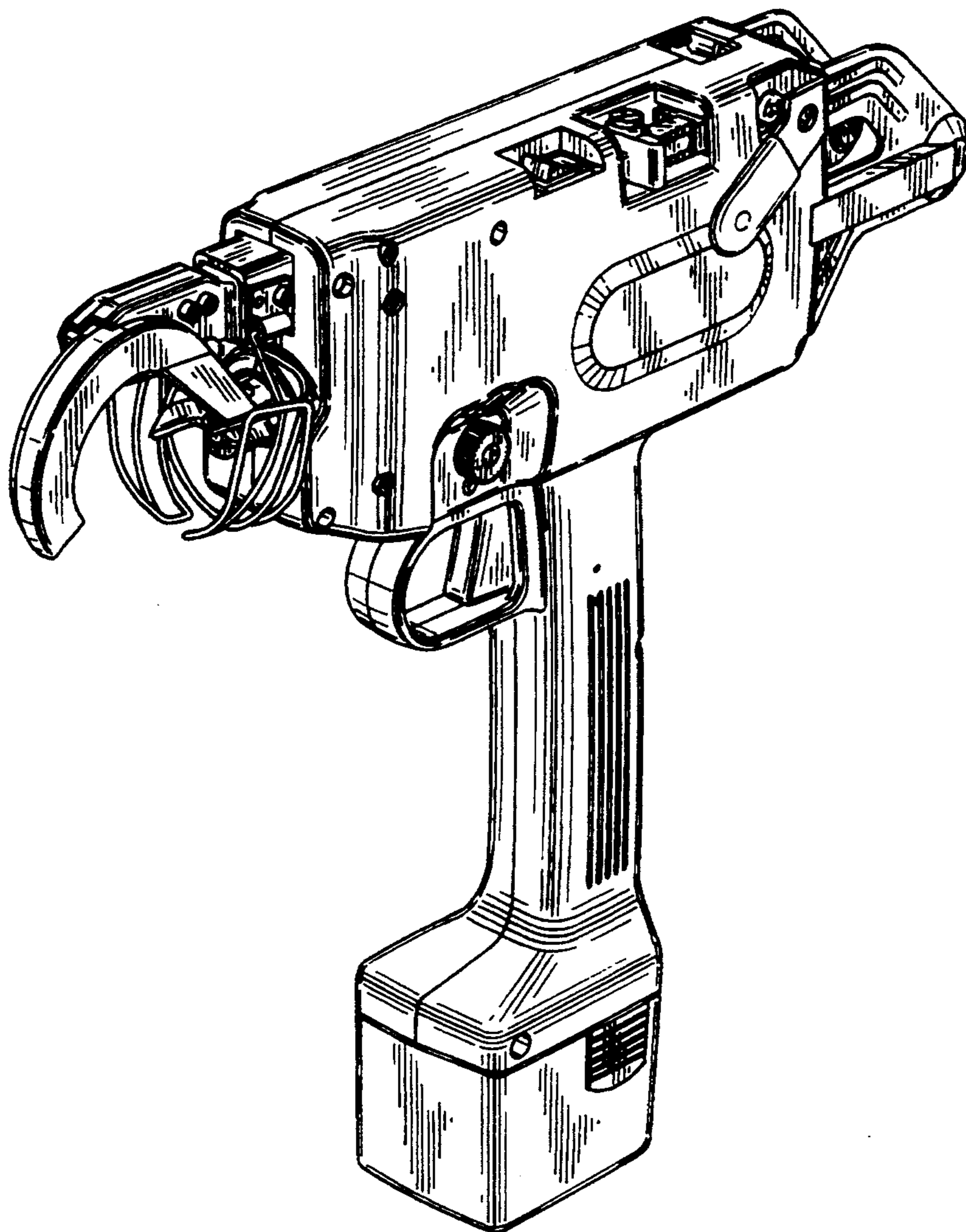


FIG. 1

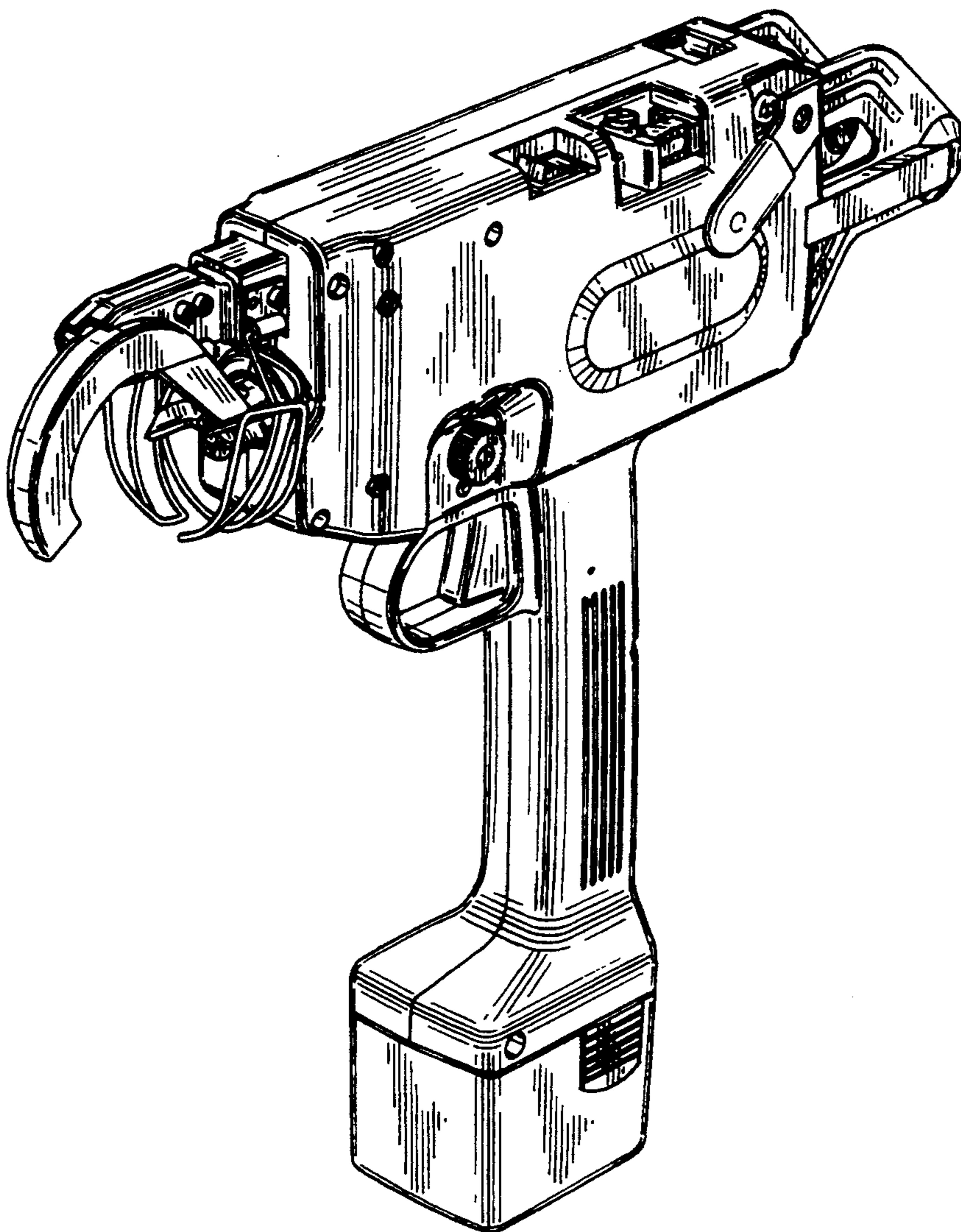


FIG. 2

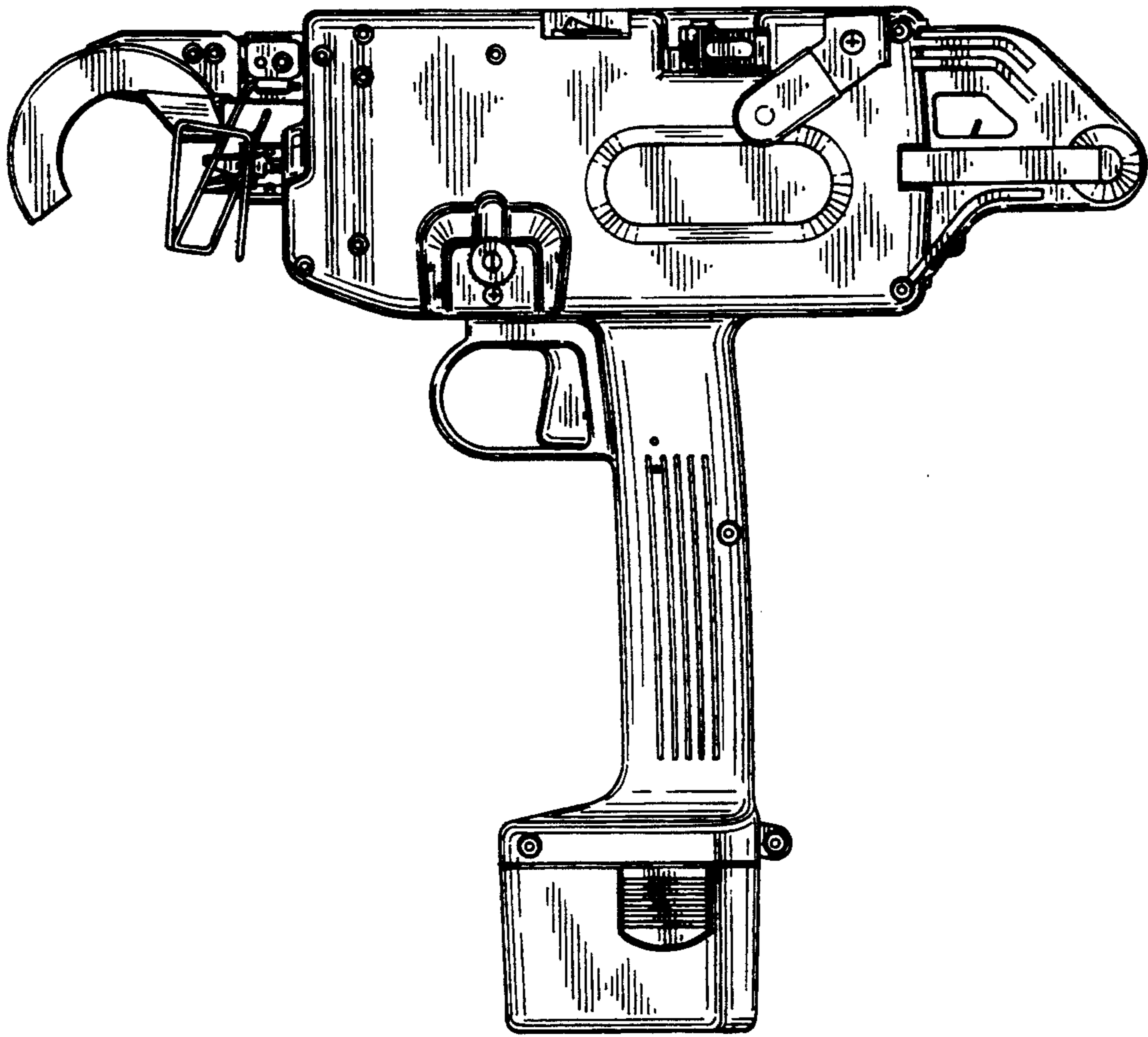


FIG. 3

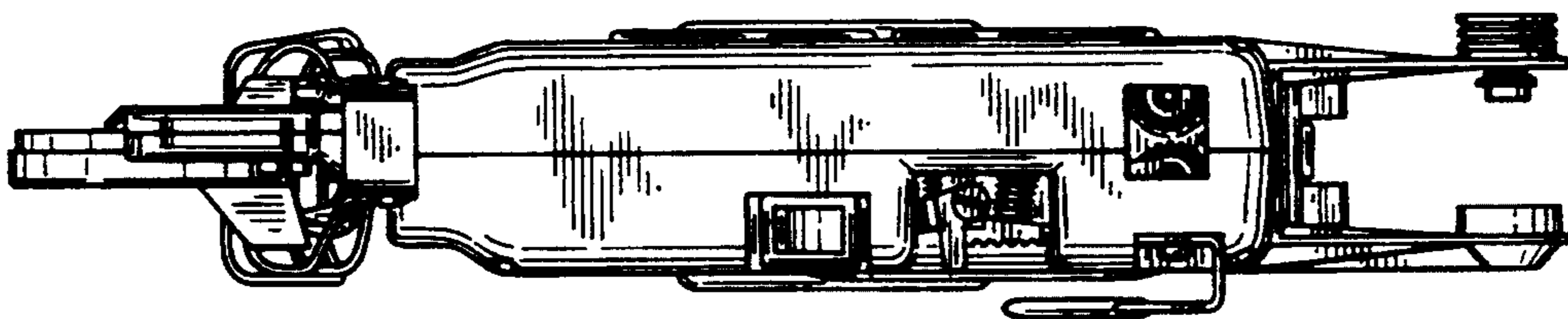


FIG. 4

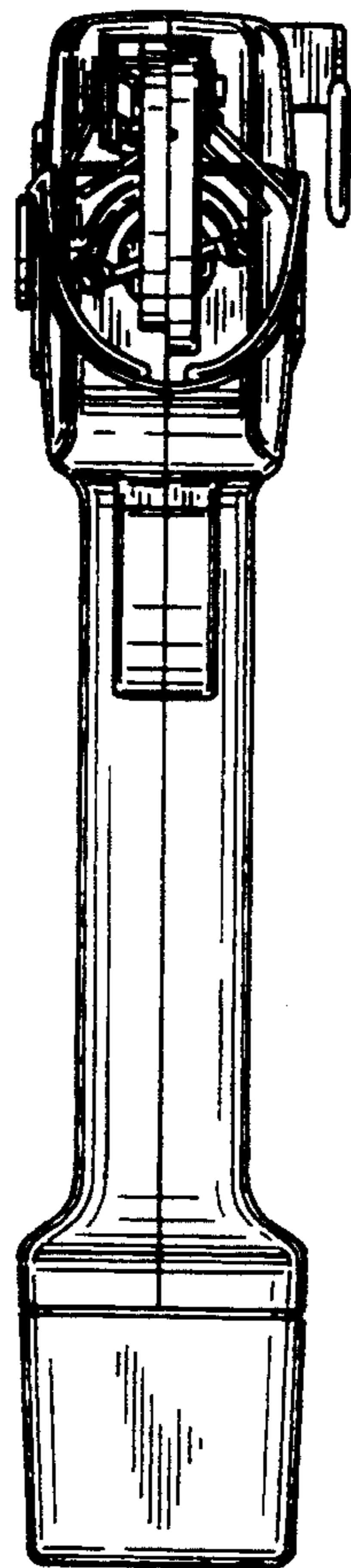


FIG. 5

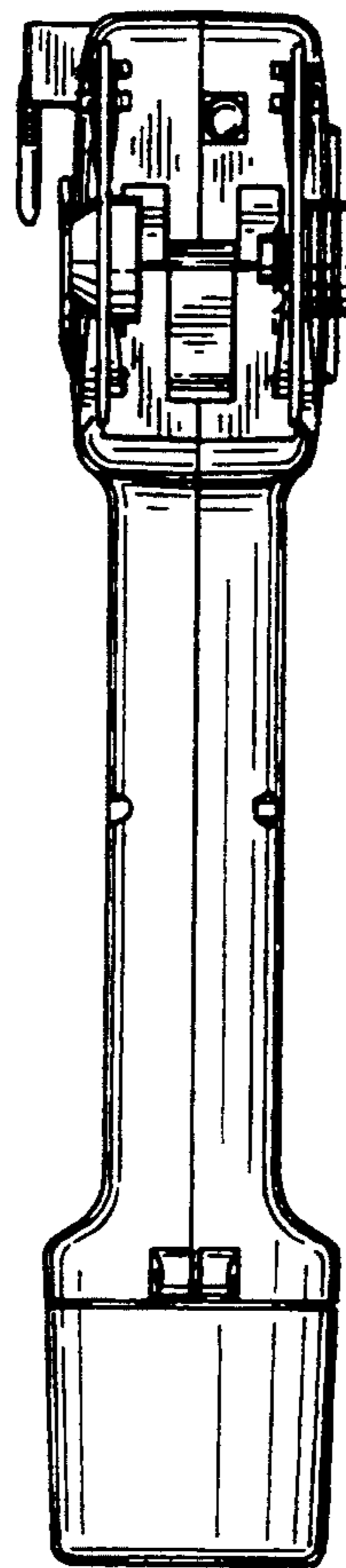




FIG. 6

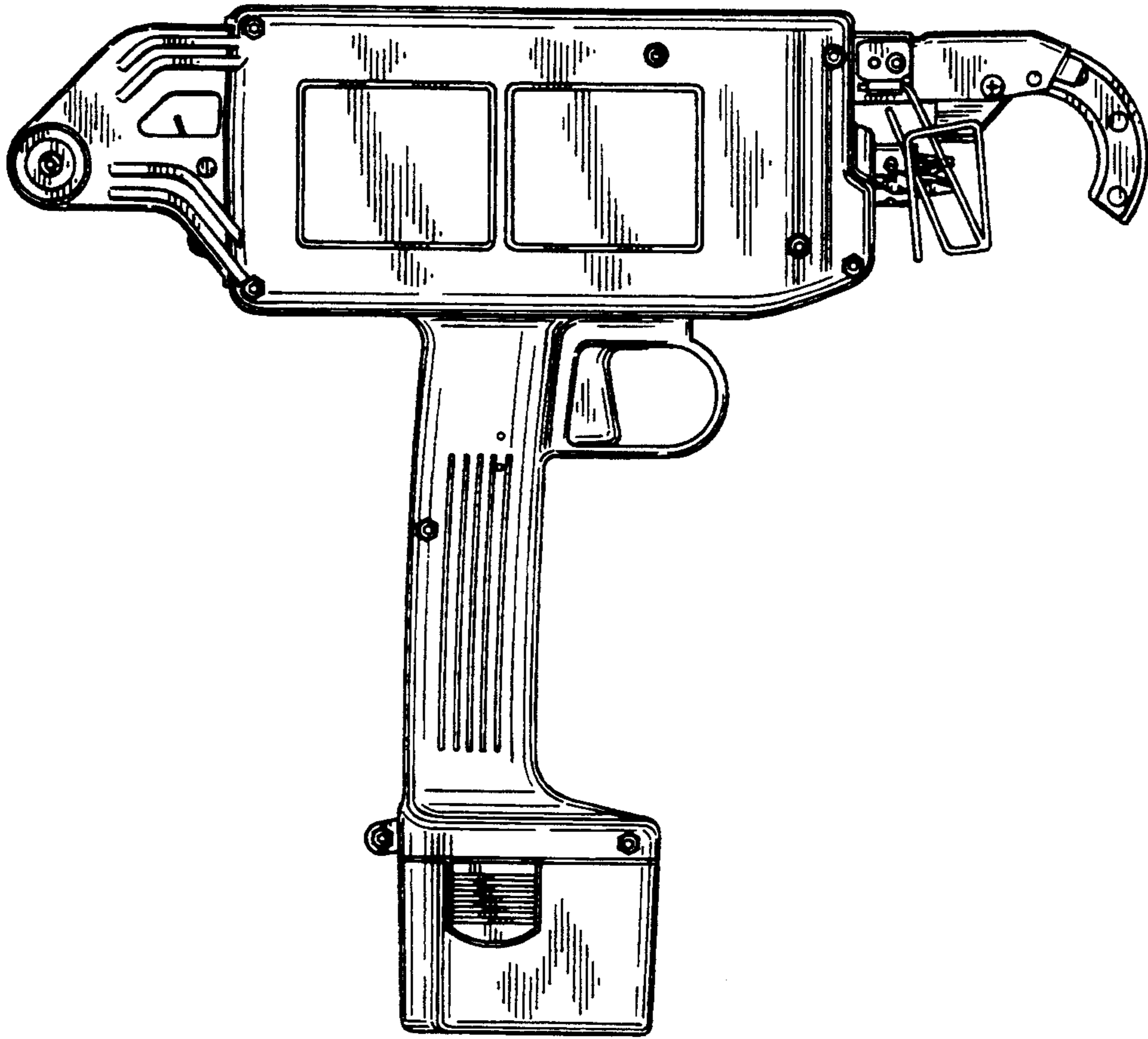


FIG. 7

