



US00D352437S

United States Patent [19]

[11] Patent Number: **Des. 352,437**

Chunn et al.

[45] Date of Patent: **** Nov. 15, 1994**

- [54] SANDER
- [75] Inventors: **Daniel A. Chunn**, Greenville; **Hiroshi Morikawa**, Clemson, both of S.C.
- [73] Assignee: **Ryobi Motor Products Corp.**, Easley, S.C.
- [**] Term: **14 Years**
- [21] Appl. No.: **6,665**
- [22] Filed: **Mar. 23, 1993**
- [52] U.S. Cl. **D8/62**
- [58] Field of Search D8/61, 62; 81/126, 54; 51/170, 170 R, 170 TL, 170 EB, 170 MT, 170 T

- D. 328,695 8/1992 Hoshino et al. D8/69
- D. 332,558 1/1993 Hoshino et al. D8/62
- 4,058,936 11/1977 Marton 51/170 T
- 4,071,981 2/1978 Champayne 51/170 MT
- 4,145,848 3/1979 Hutchins 51/170 T
- 4,967,516 11/1990 Hoshino et al. 51/170 R

Primary Examiner—Alan P. Douglas
Assistant Examiner—Jeffry H. Musgrove
Attorney, Agent, or Firm—Brooks & Kushman

[57] CLAIM

The ornamental design of a sander, as shown and described in the drawings.

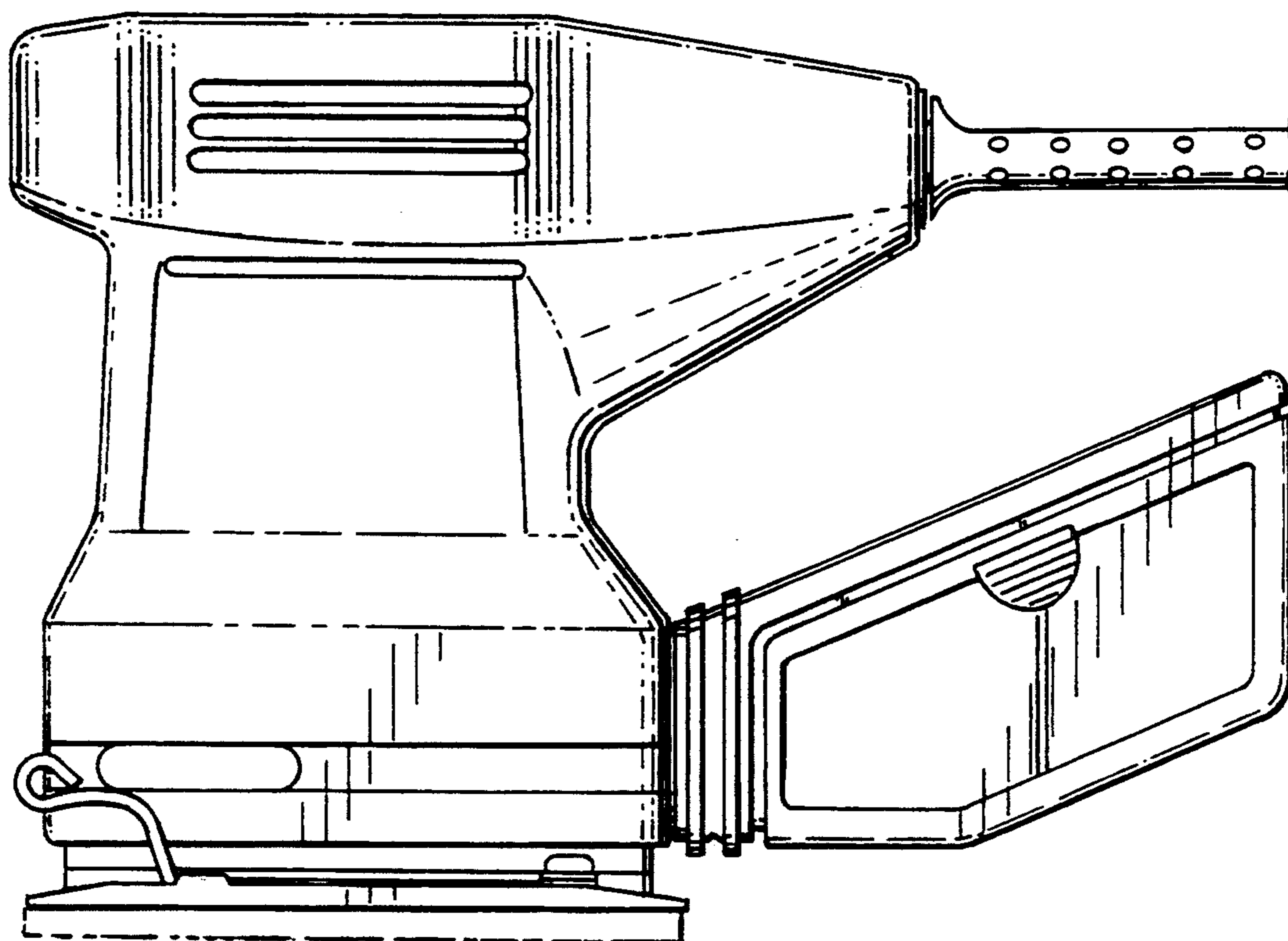
DESCRIPTION

FIG. 1 is a top plan view of a sander showing our new design with the cord broken away;
 FIG. 2 is a right side elevational view thereof;
 FIG. 3 is a bottom plan view thereof;
 FIG. 4 is a left side elevational view thereof;
 FIG. 5 is a front side elevational view thereof; and,
 FIG. 6 is a rear side elevational view thereof.
 The broken line showing of the pad in FIGS. 2, 4, 5 and 6 is for illustrative purposes only and forms no part of the claimed design.

[56] References Cited

U.S. PATENT DOCUMENTS

- D. 256,881 9/1980 Hutchins D8/62
- D. 286,736 11/1986 Somers D8/62
- D. 302,930 8/1989 Sakamoto et al. D8/62
- D. 314,124 1/1991 Rogers et al. D8/62
- D. 314,125 1/1991 Ogawa et al. D8/62
- D. 323,963 2/1992 Bunyea D8/62



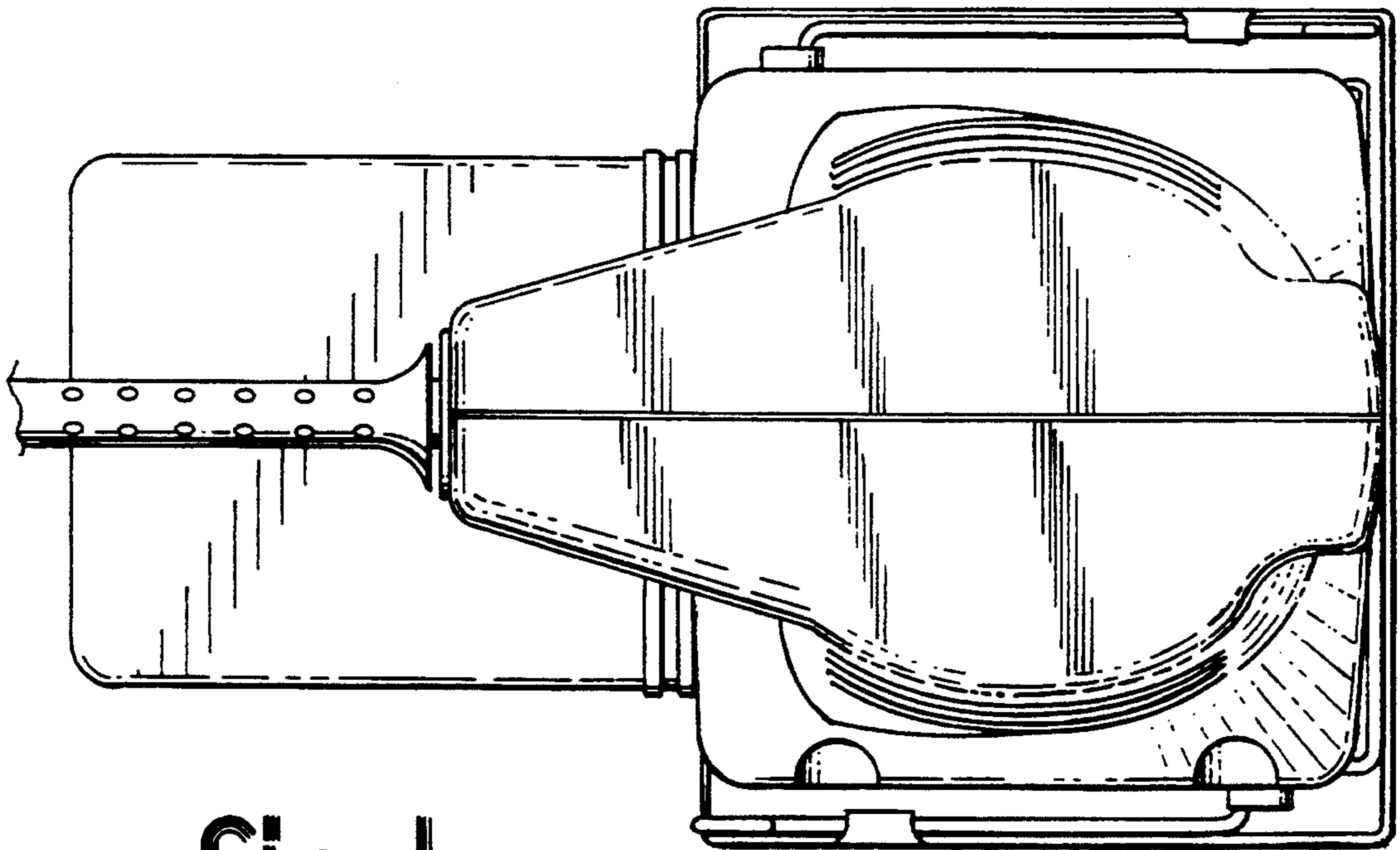


Fig-1

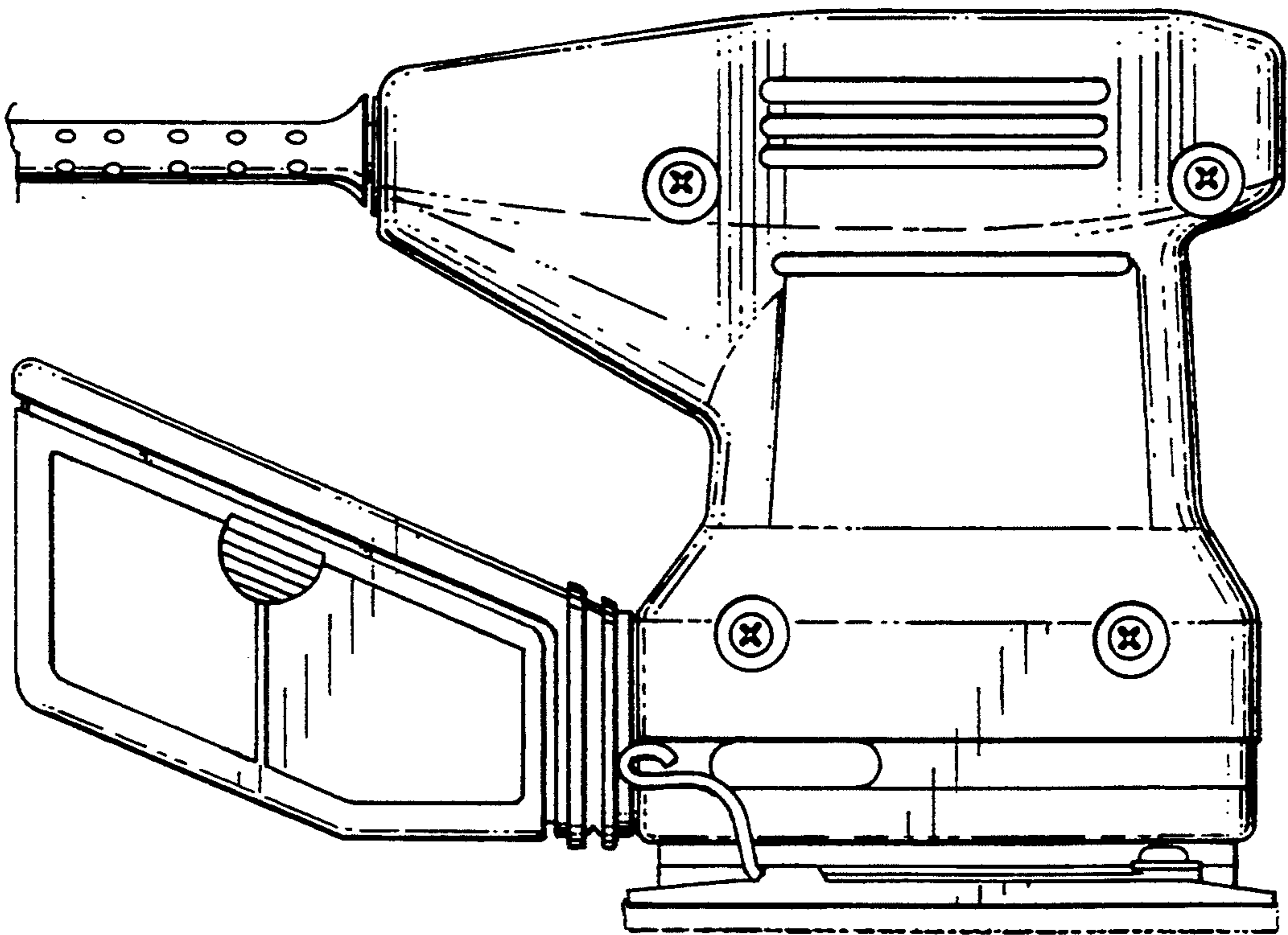


Fig-2

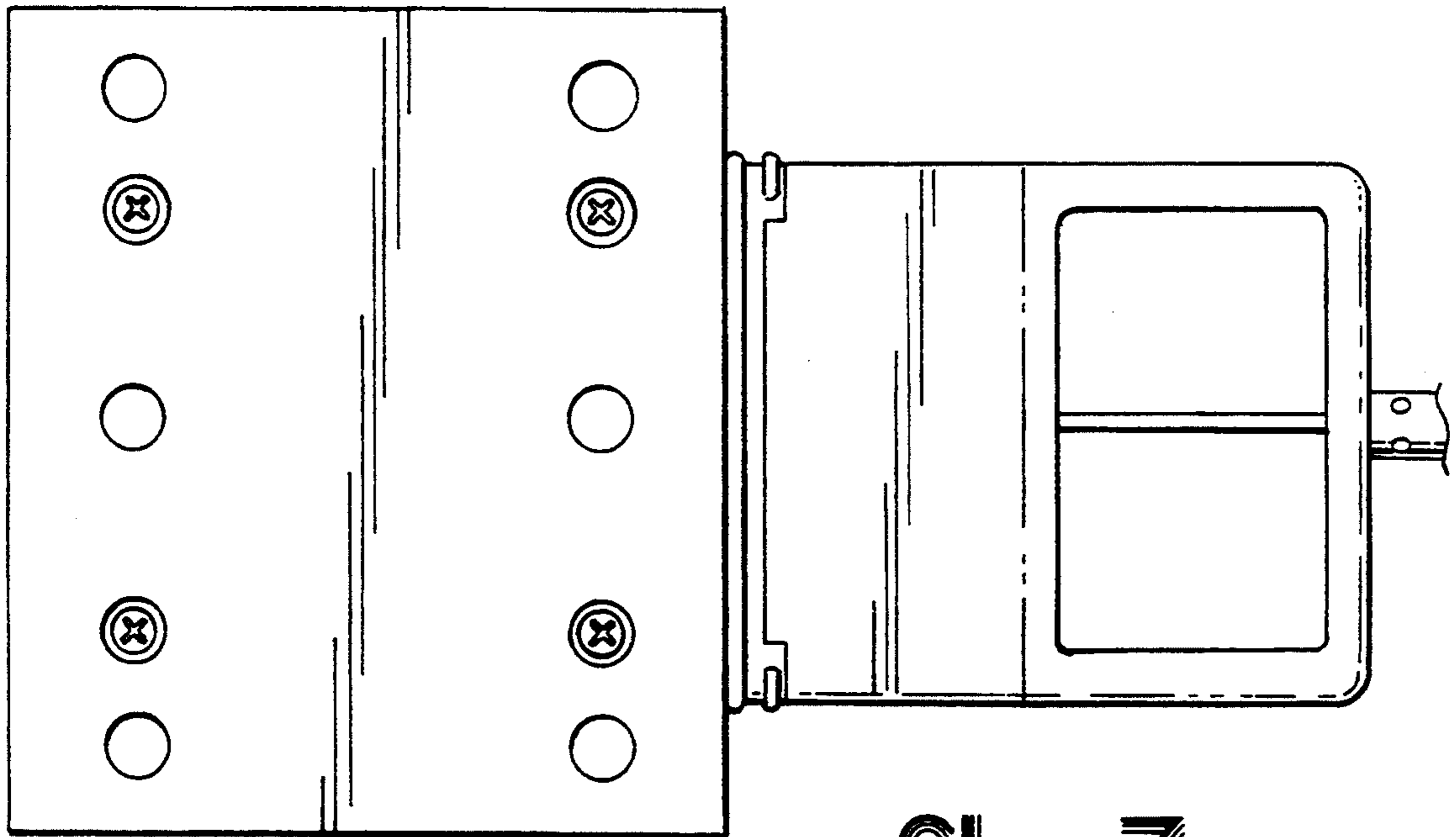


fig-3

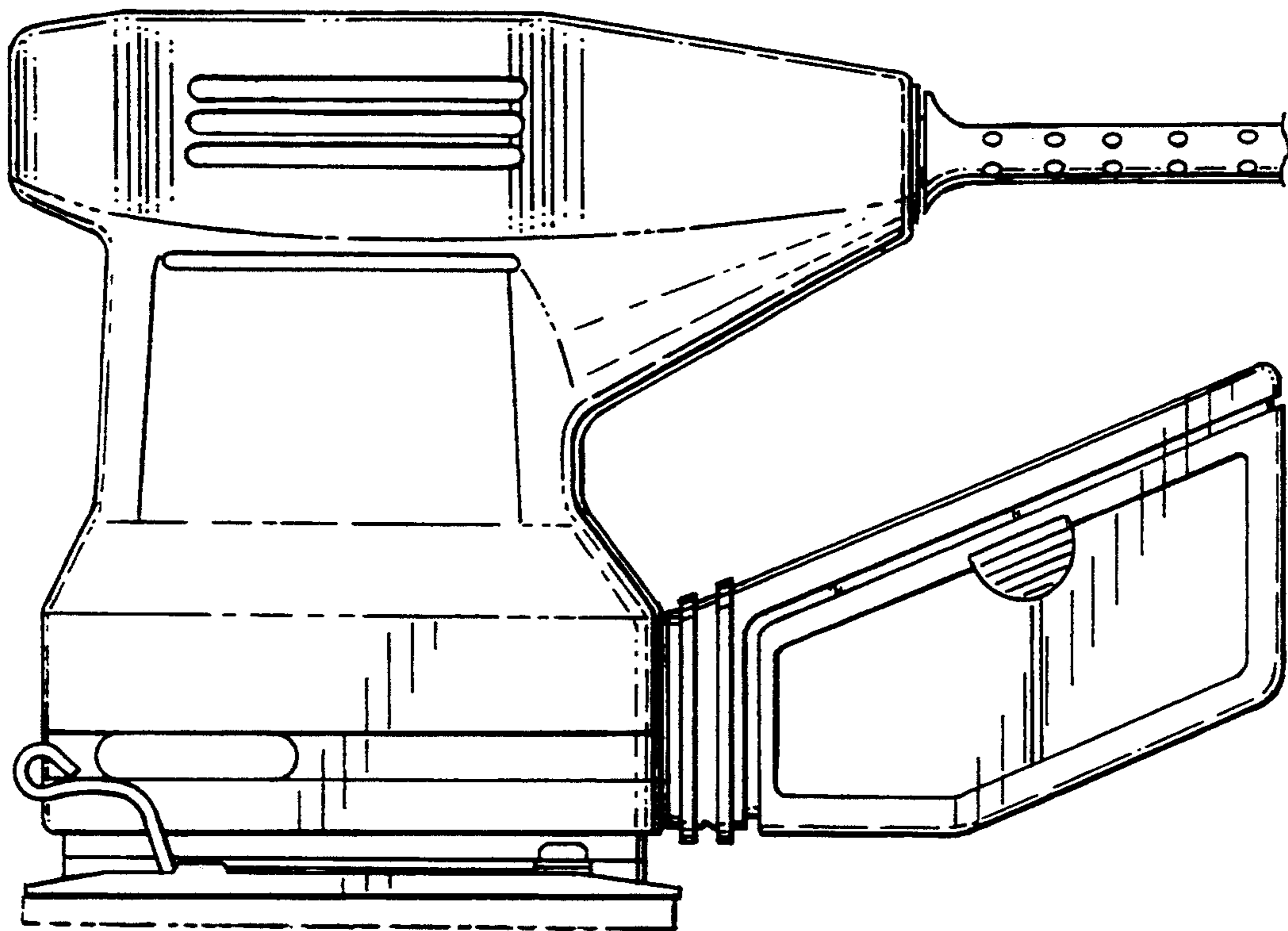


fig-4

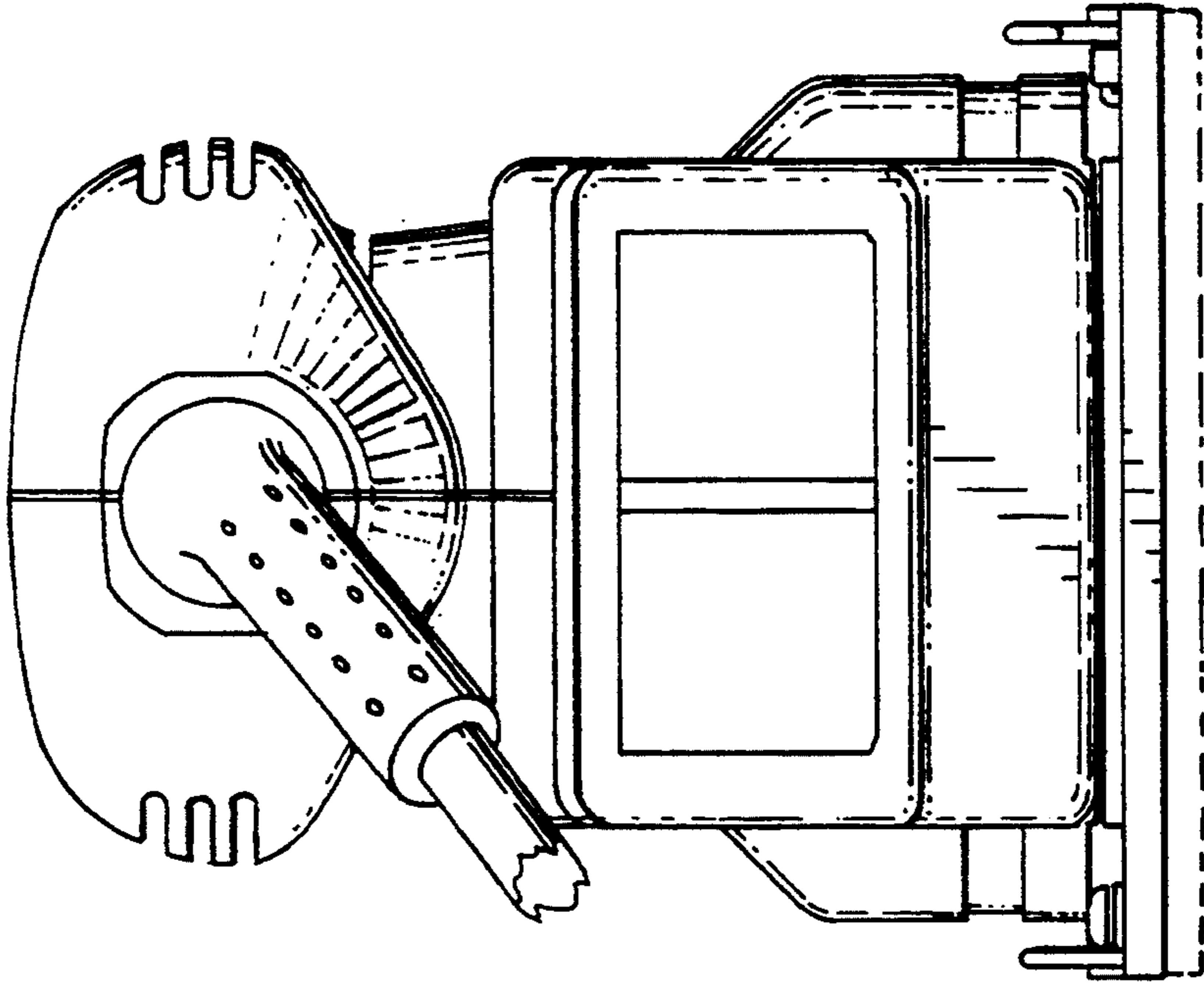


FIG-6

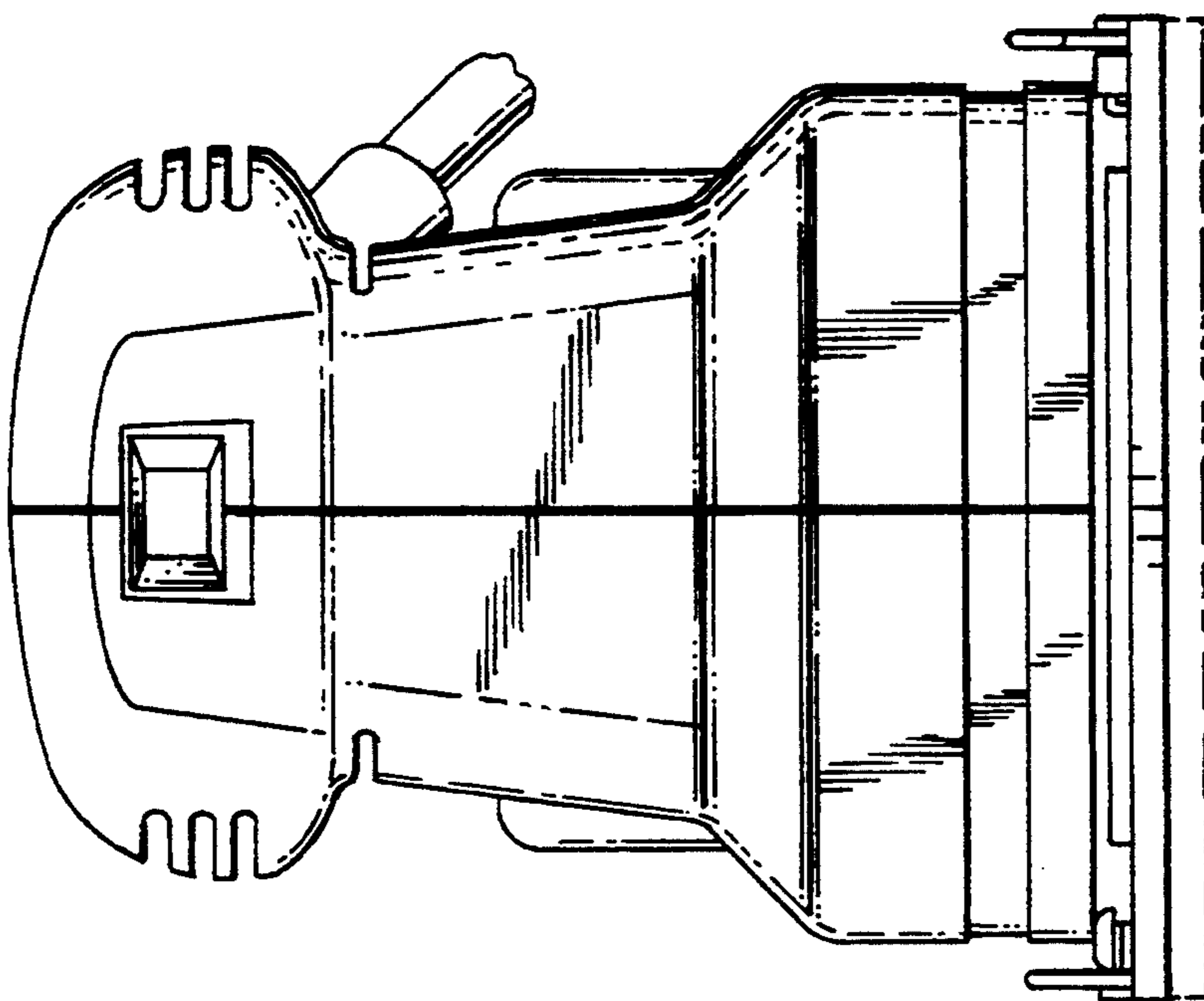


FIG-5