



US00D352436S

United States Patent [19]

[11] Patent Number: Des. 352,436

Abel

[45] Date of Patent: ** Nov. 15, 1994

[54] PLIERS

[76] Inventor: Steven D. Abel, 6051 W. Greentree Dr., Somis, Calif. 93066

[**] Term: 14 Years

[21] Appl. No.: 5,607

[22] Filed: Mar. 8, 1993

[52] U.S. Cl. D8/52

[58] Field of Search D8/14, 51, 52; 81/300, 81/317, 318, 415, 416, 417, 418, 423, 422, 421, 427.5; 7/125, 127

[56] **References Cited**

U.S. PATENT DOCUMENTS

D. 297,603	9/1988	Zabarte	D8/52
D. 310,951	10/1990	Monnet	D8/52
1,367,362	2/1921	Earnhart	81/415
1,442,486	1/1923	Looke	81/415
3,833,953	9/1974	Fisher et al.	81/415
3,874,578	4/1975	Derr et al.	81/421
4,829,858	5/1989	Kern	81/415
4,907,477	3/1990	Farber	81/416

OTHER PUBLICATIONS

Channel Lock Plier Catalog, 1988, pp. 6 and 10, CP3 10A09.

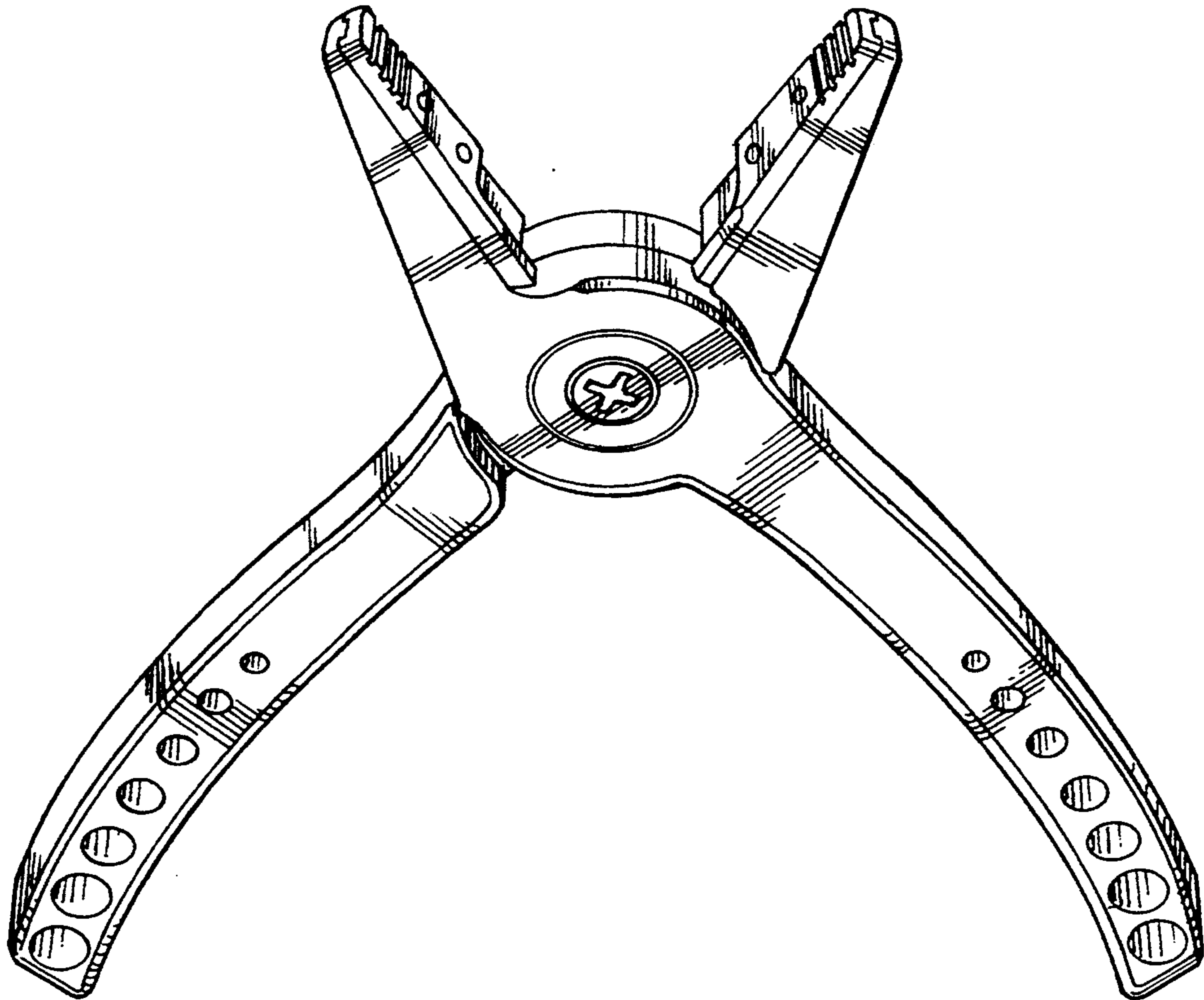
Primary Examiner—Melvin B. Feifer
Assistant Examiner—Philip Hyder
Attorney, Agent, or Firm—Nydegger & Associates

[57] **CLAIM**

The ornamental design for pliers, as shown.

DESCRIPTION

FIG. 1 is a perspective view of "pliers" showing my new design, shown with the jaw in an open position; FIG. 2 is a perspective view thereof, shown with the jaw closed; FIG. 3 is a rear elevational view thereof; FIG. 4 is a left side elevational view of FIG. 3; FIG. 5 is a bottom plan view of FIG. 3; FIG. 6 is a top plan view thereof, shown with the jaw in an open position; and, FIG. 7 is a top plan view thereof, shown in a closed position.



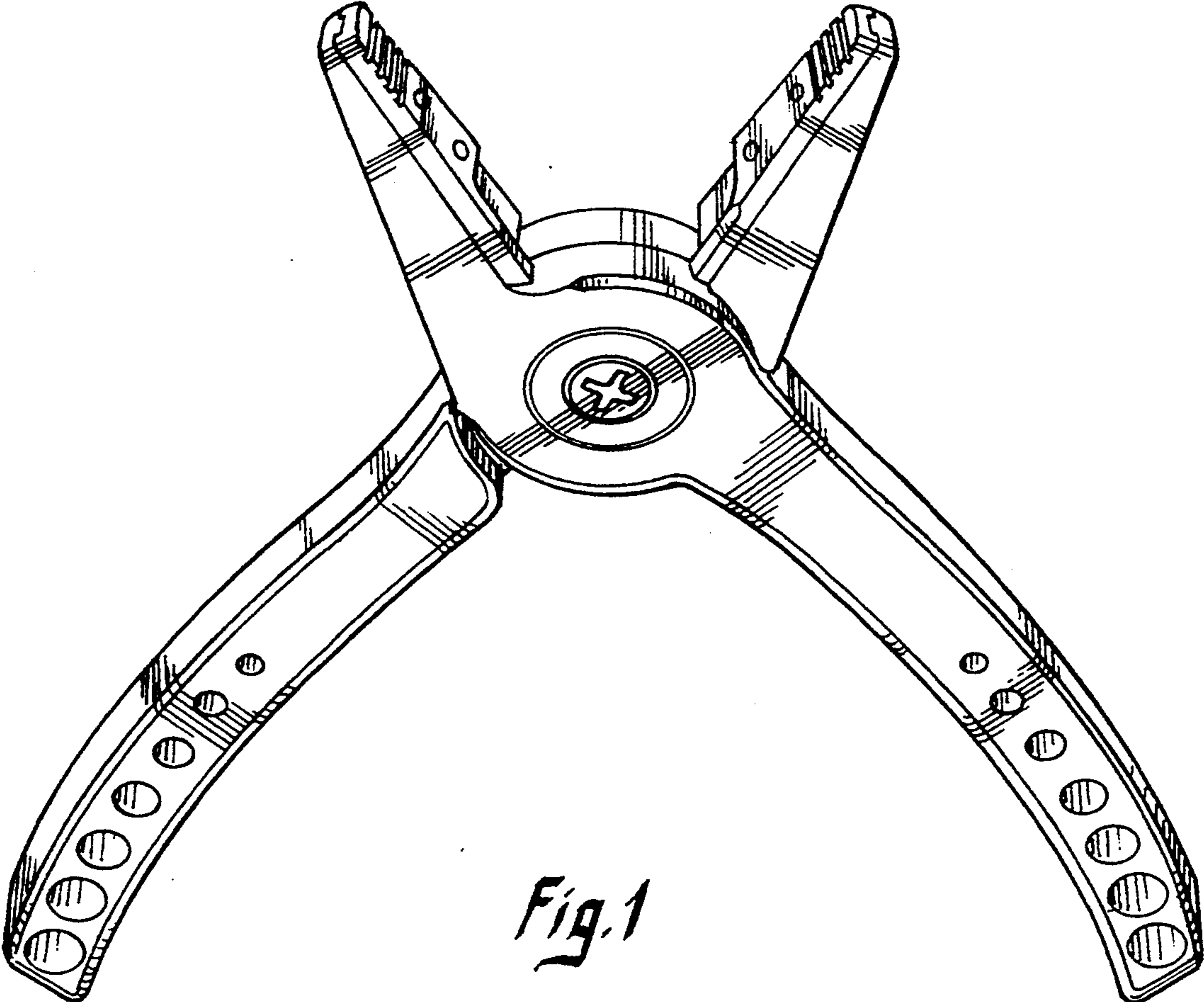


Fig. 1

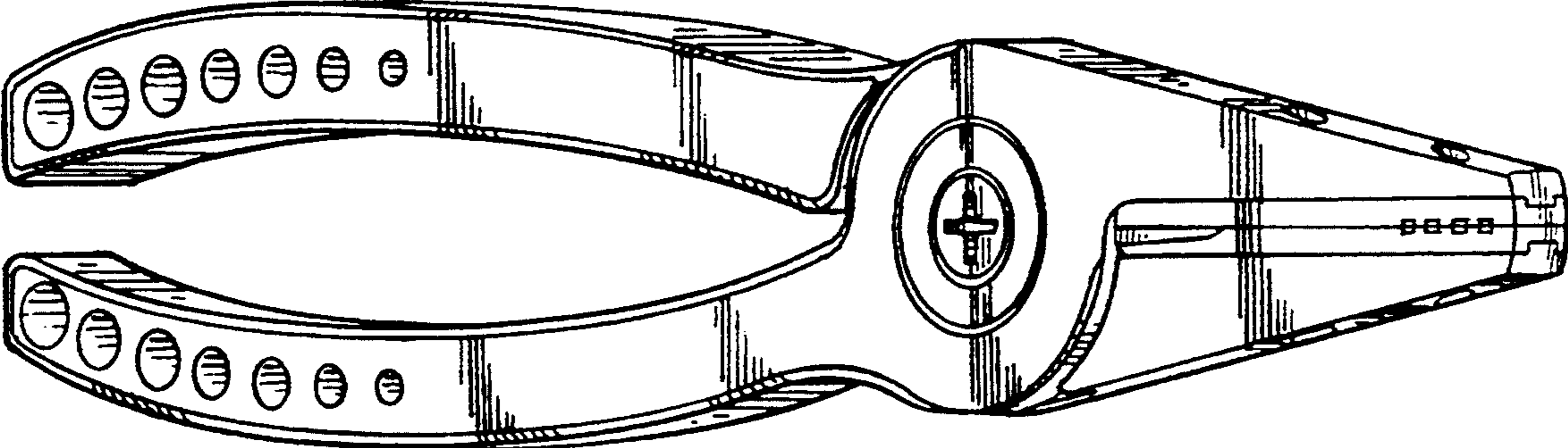


Fig. 2

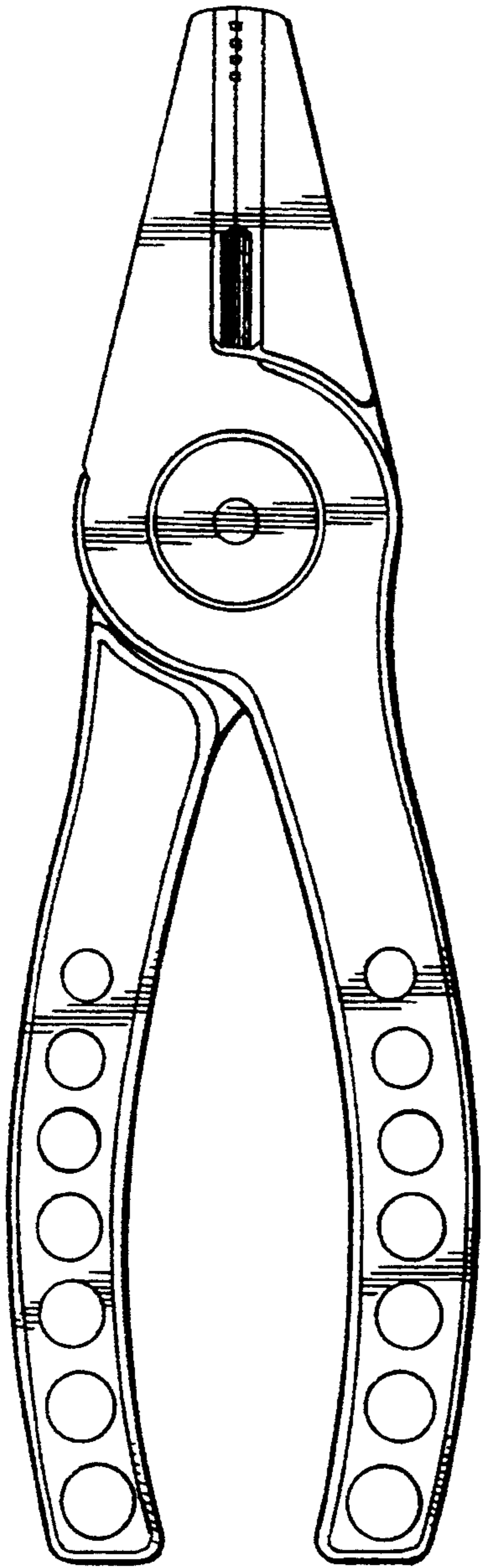


Fig. 3

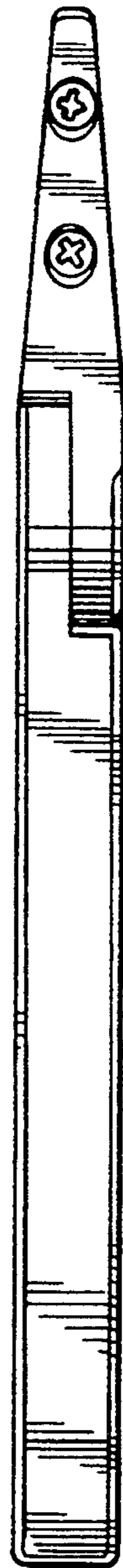


Fig. 4



Fig. 5



Fig. 6



Fig. 7