



US00D352435S

United States Patent [19] Chi

[11] Patent Number: **Des. 352,435**

[45] Date of Patent: **** Nov. 15, 1994**

[54] **STAPLER**

[76] Inventor: **William H. N. Chi, No. 32,
Kwangcheng Rd., Tali Hsiang,
Taichung Hsien, Prov. of China**

[**] Term: **14 Years**

[21] Appl. No.: **15,503**

[22] Filed: **Nov. 18, 1993**

[52] U.S. Cl. **D8/50**

[58] Field of Search **D8/49, 50, 61, 69;
227/127, 128, 132, 134; D19/72**

[56] **References Cited**

U.S. PATENT DOCUMENTS

| | | | | |
|------------|---------|---------|-------|-------|
| D. 118,380 | 1/1940 | Maynard | | D8/49 |
| D. 277,928 | 3/1985 | Suzuki | | D8/50 |
| D. 311,669 | 10/1990 | Sato | | D8/50 |

| | | | | |
|------------|---------|------------|-------|--------|
| D. 318,407 | 7/1991 | Williams | | D8/50 |
| 3,284,899 | 11/1966 | Mercorelli | | 30/229 |

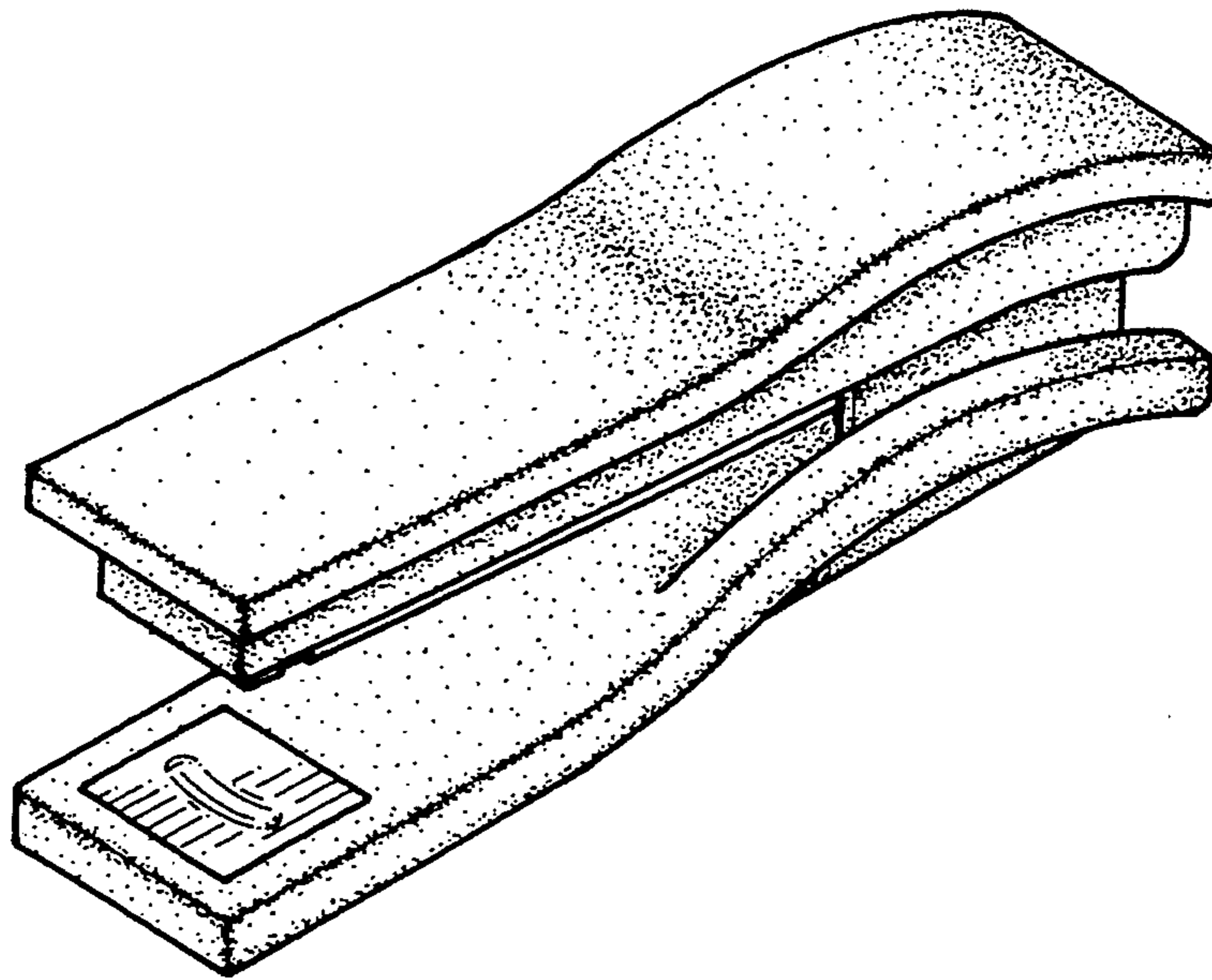
Primary Examiner—Bernard Ansher
Assistant Examiner—Adir Aronovich
Attorney, Agent, or Firm—McCubbrey, Bartels & Ward

[57] **CLAIM**

The ornamental design for a stapler, as shown and described.

DESCRIPTION

FIG. 1 is a front-left-top perspective view of a stapler, showing my new design;
FIG. 2 is a front elevational view thereof;
FIG. 3 is a rear elevational view thereof;
FIG. 4 is a left side elevational view thereof;
FIG. 5 is a right side elevational view thereof;
FIG. 6 is a top plan view thereof; and,
FIG. 7 is a bottom plan view thereof.



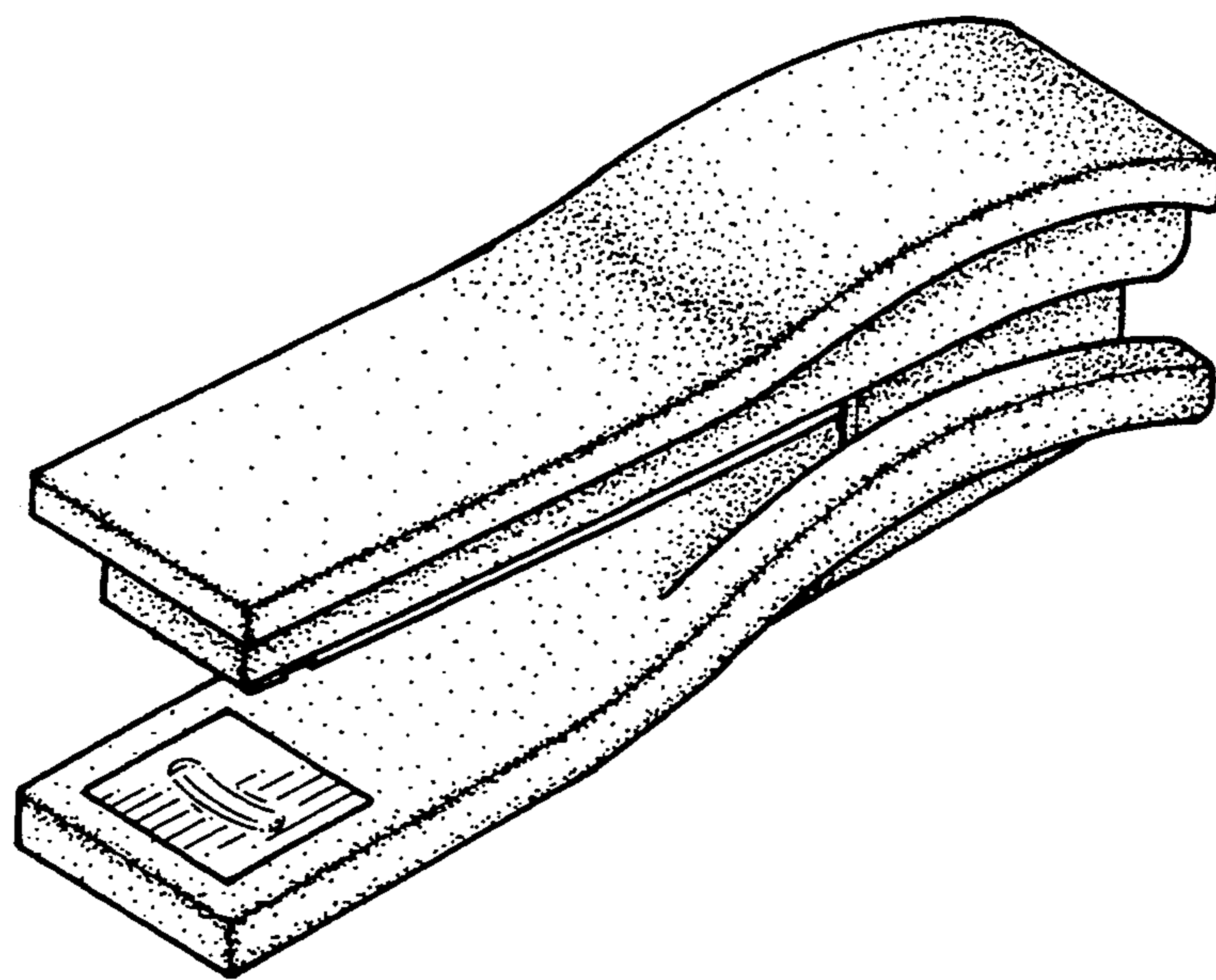


FIG. 1

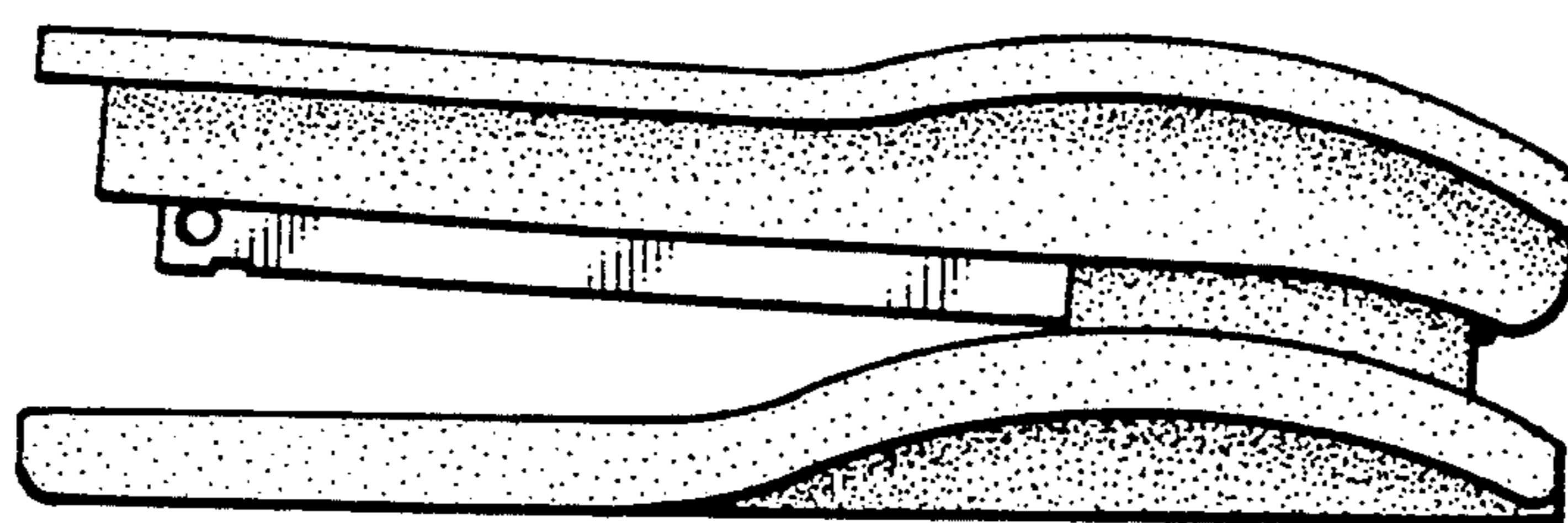


FIG. 2

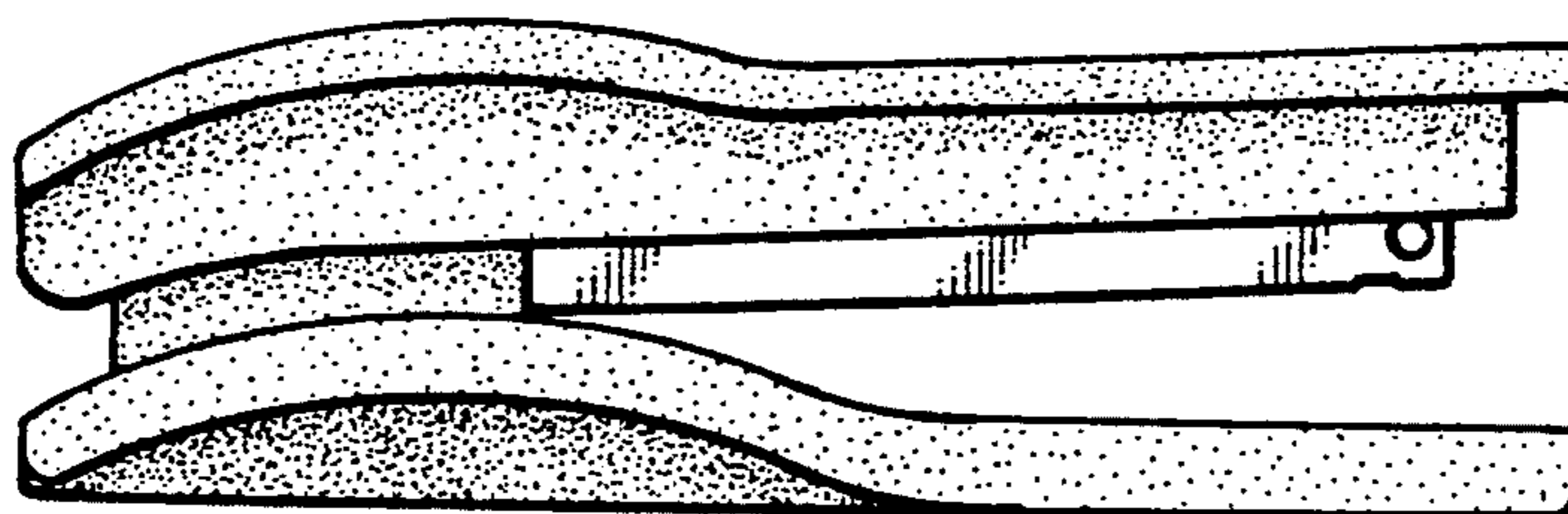


FIG. 3

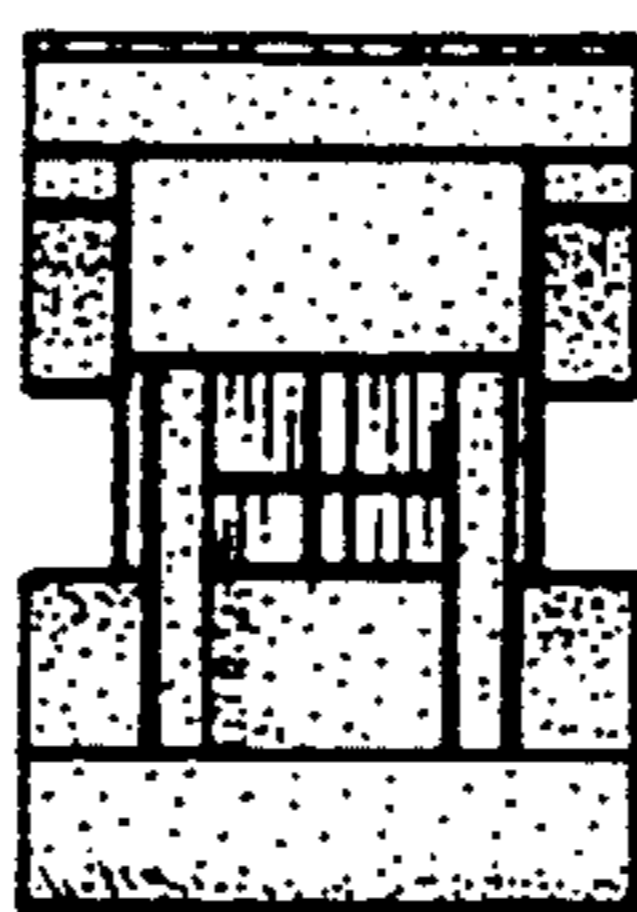


FIG. 4

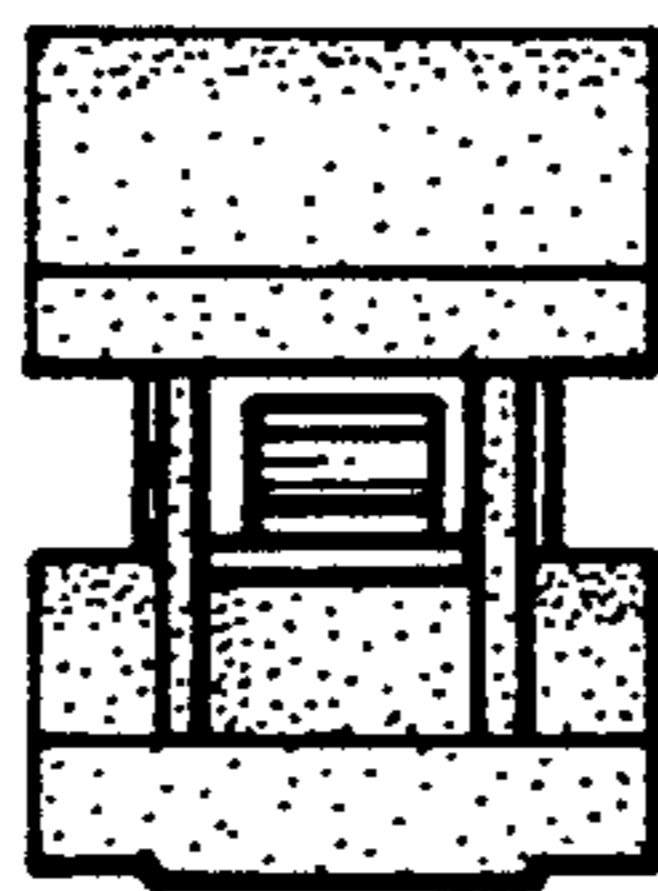


FIG. 5

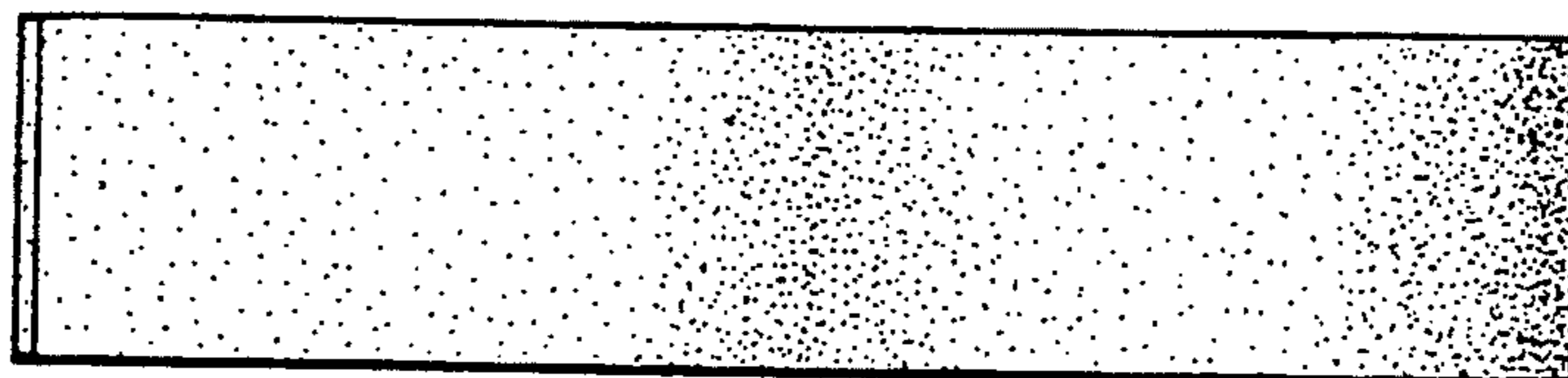


FIG. 6

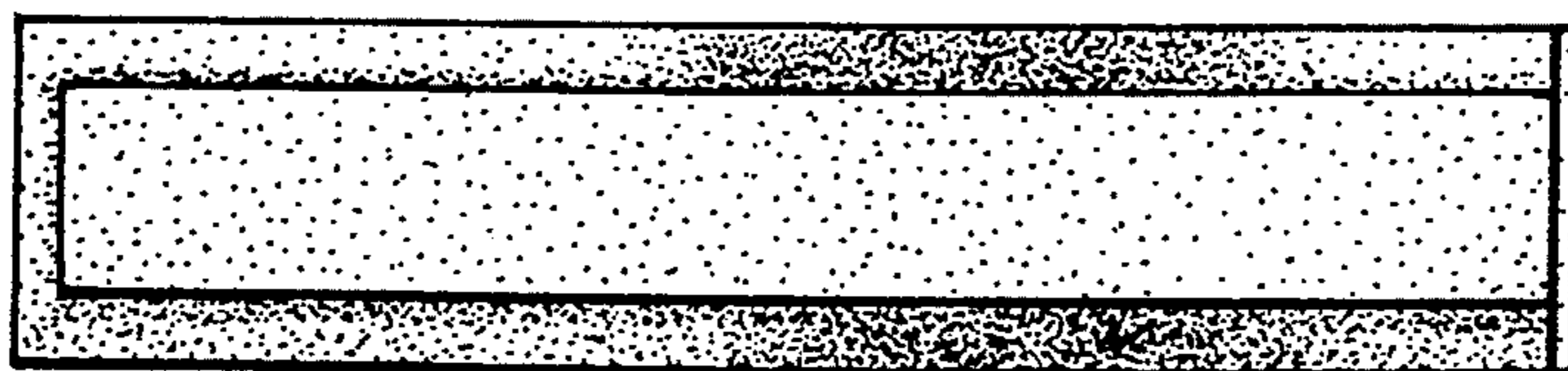


FIG. 7