



US00D352432S

United States Patent [19]

Monroe

[11] Patent Number: **Des. 352,432**

[45] Date of Patent: **** Nov. 15, 1994**

[54] **SMOOTHING TOOL FOR WALL COVERING**

4,097,951 7/1978 Hurtt 15/245

[76] Inventor: **James M. Monroe**, P.O. Box 12098,
Denver, Colo. 80212

FOREIGN PATENT DOCUMENTS

[**] Term: **14 Years**

330895 of 1903 France 15/245

64439 6/1913 Switzerland 15/245

468501 2/1937 United Kingdom 15/245

[21] Appl. No.: **899,388**

Primary Examiner—Bernard Ansher

[22] Filed: **Jun. 16, 1992**

Assistant Examiner—Philip Hyder

[52] U.S. Cl. **D8/45**

Attorney, Agent, or Firm—Timothy J. Martin;

[58] Field of Search D8/14, 45; 425/12;
15/245.1, 236, 245, 117, 250.36; D32/40, 41, 46,
48, 50, 51, 52

Schaukowitch

[57] CLAIM

[56] References Cited

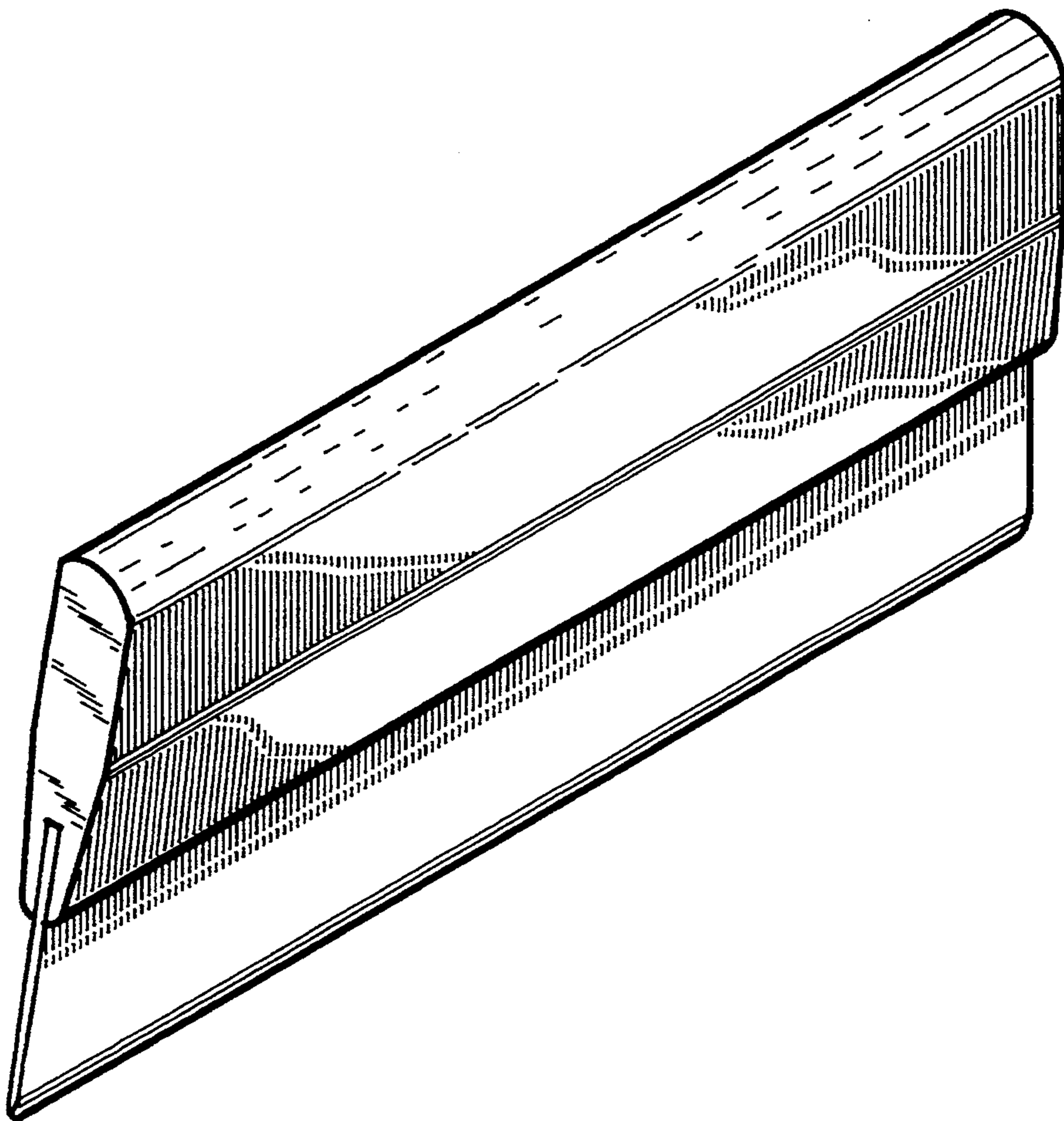
The ornamental design for a smoothing tool for wall coverings, as shown.

U.S. PATENT DOCUMENTS

DESCRIPTION

D. 117,388	10/1939	Woinarovicz	D8/45
D. 214,085	5/1969	Fremdling	D32/41
D. 215,753	10/1969	Ballou	D32/50
D. 280,247	8/1985	Jones	D32/41
2,109,626	3/1938	Sowers	D32/41
2,158,695	5/1939	Foss	15/245
2,914,787	12/1959	Hartkopf	15/245
3,069,713	12/1962	Obraske	15/245.1
3,676,888	7/1972	Akers	425/12
4,006,510	2/1977	Soares	15/245

FIG. 1 is a perspective view taken from the top, front and left side of the smoothing tool for wall covering showing my new design;
 FIG. 2 is a front elevational view thereof;
 FIG. 3 is a top plan view thereof;
 FIG. 4 is a bottom bottom plan view thereof;
 FIG. 5 is a rear elevational view thereof;
 FIG. 6 is a left side elevational view thereof; and,
 FIG. 7 is a right side elevational view thereof.



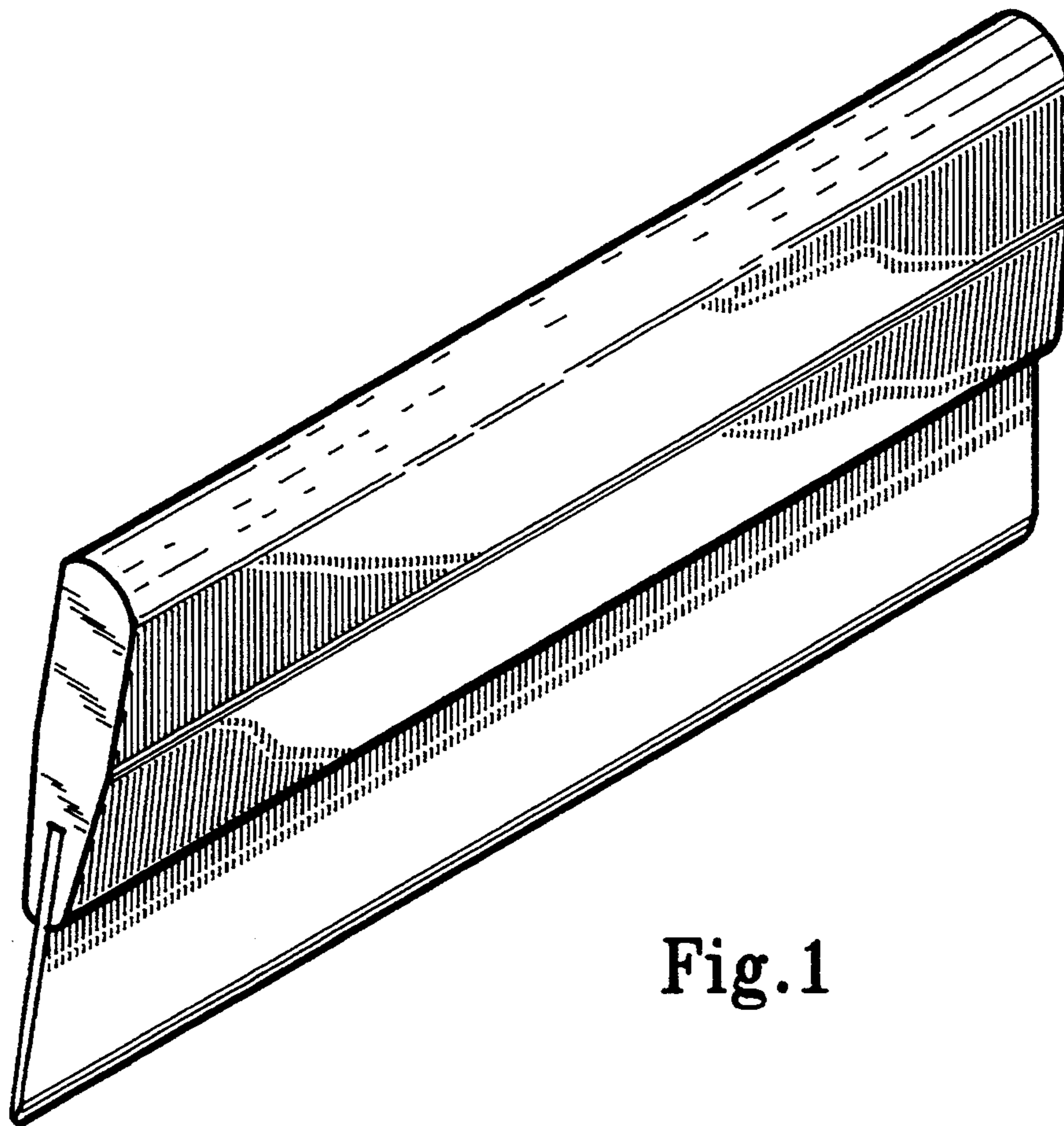


Fig. 1

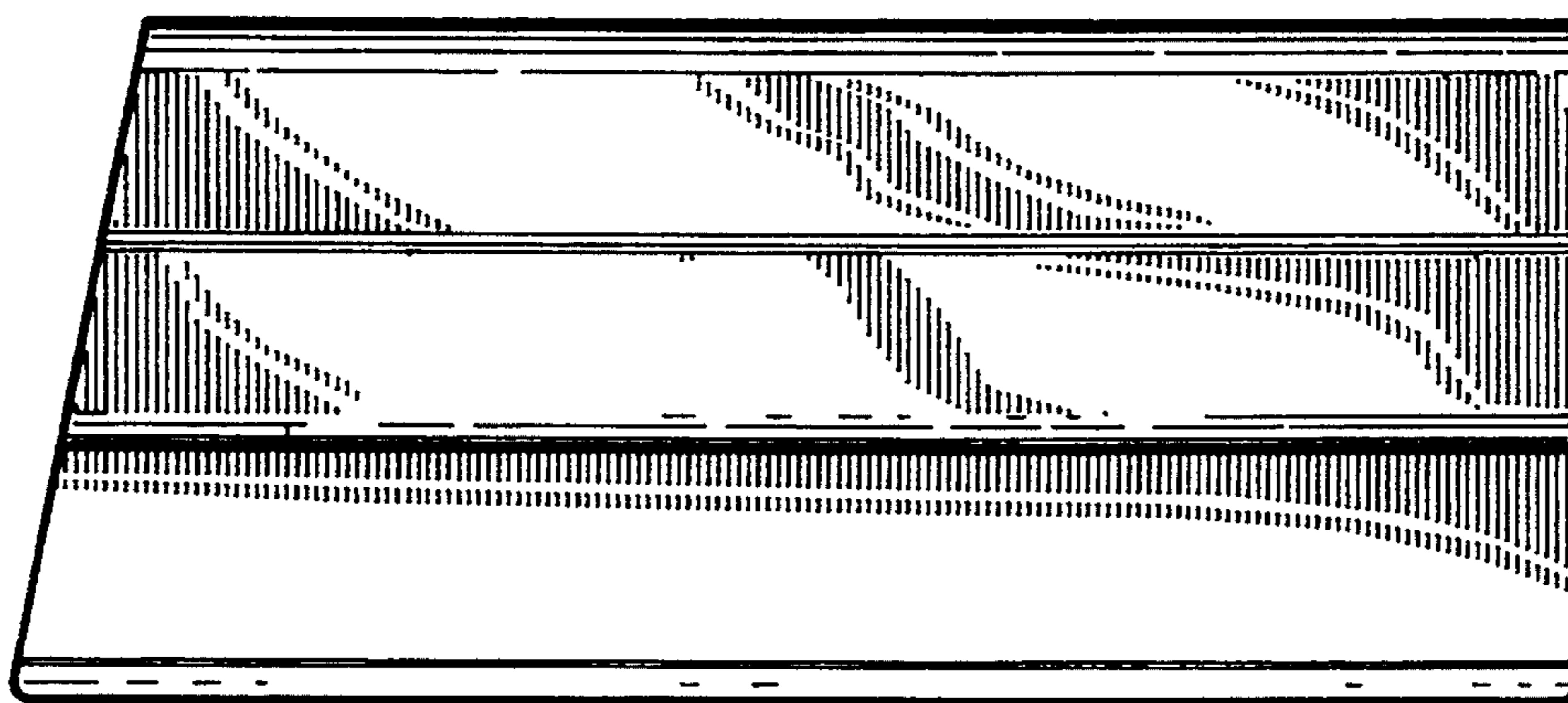


Fig. 2

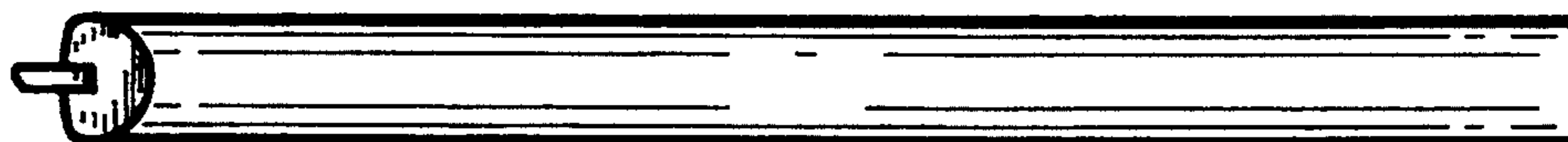


Fig. 3

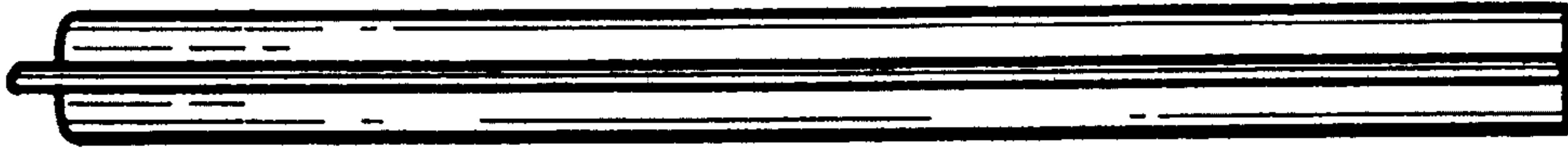


Fig. 4

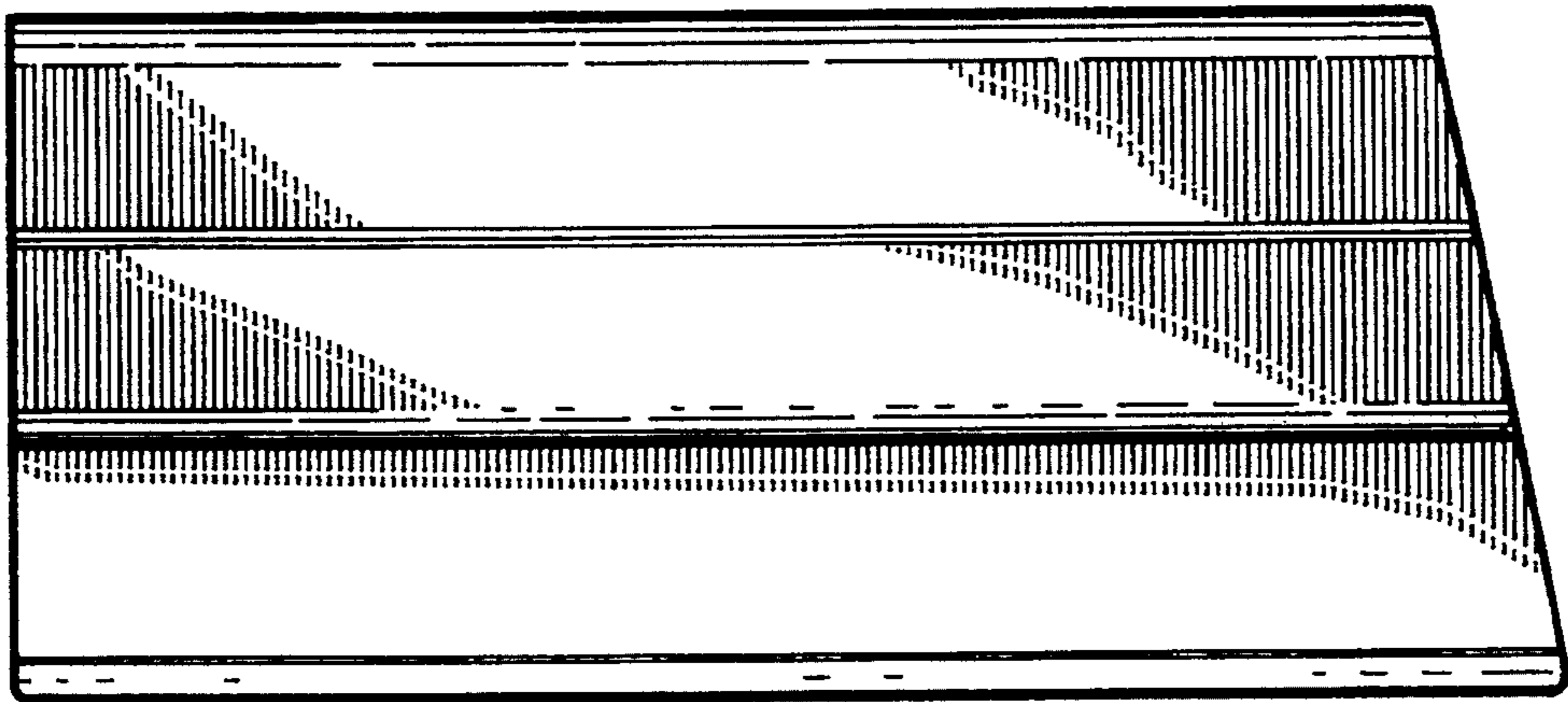


Fig. 5



Fig. 6



Fig. 7