



US00D352430S

# United States Patent [19]

Kikuchi

[11] Patent Number: **Des. 352,430**

[45] Date of Patent: **\*\* Nov. 15, 1994**

[54] **POWER HEAD FOR A LINE TRIMMER**

[75] Inventor: **Naoki Kikuchi**, Chandler, Ariz.

[73] Assignee: **Ryobi Outdoor Products Inc.**, Chandler, Ariz.

[\*\*] Term: **14 Years**

[21] Appl. No.: **4,224**

[22] Filed: **Jan. 29, 1993**

[52] U.S. Cl. .... **D8/8**

[58] Field of Search ..... **D8/8; 56/12.7; 30/276**

### [56] References Cited

#### U.S. PATENT DOCUMENTS

- D. 250,450 12/1978 Tiedemann .
- D. 255,764 7/1980 Lombard .
- D. 301,009 5/1989 Pilatowicz et al. .
- D. 303,483 9/1989 Takahashi et al. .
- D. 313,538 1/1991 Fushiya ..... D8/8
- D. 317,852 7/1991 Fujiwara et al. .
- D. 327,483 6/1992 Kwong ..... D8/8 X
- D. 333,953 3/1993 Miyoshi et al. .... D8/8
- 3,886,716 6/1975 Sellers .
- 4,188,719 2/1980 Hoff ..... 30/122
- 4,237,610 12/1980 Bradus et al. .

- 4,391,041 7/1983 Porter-Bennett .
- 4,860,451 8/1989 Pilatowicz et al. .
- 5,581,369 1/1993 Everts ..... 56/12.7

### OTHER PUBLICATIONS

Weed Eater Operator's Manual, Model: Cordless Clipstik™, Dec. 17, 1990.

*Primary Examiner*—Wallace R. Burke

*Assistant Examiner*—H. Baynham

*Attorney, Agent, or Firm*—Brooks & Kushman

### [57] CLAIM

The ornamental design for a power head for a line trimmer, as shown and described.

### DESCRIPTION

FIG. 1 is a perspective view of the power head for a line trimmer. The broken lines showing the remaining portions of the line trimmer are for illustrative purposes only and form no part of my design;

FIG. 2 is a right side elevational view thereof;

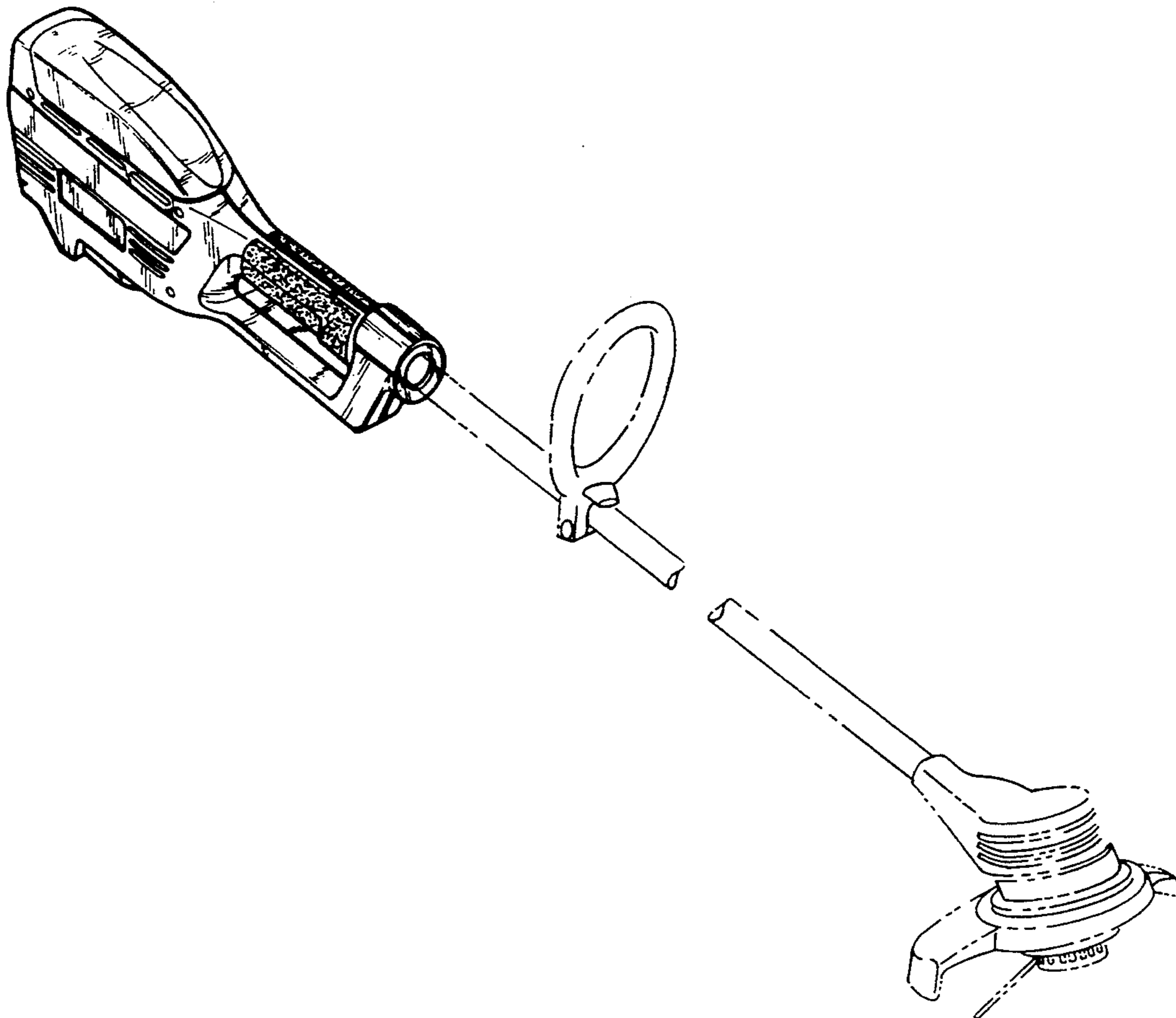
FIG. 3 is a left side elevational view thereof;

FIG. 4 is a top plan view thereof;

FIG. 5 is a rear end elevational view thereof;

FIG. 6 is a front end elevational view thereof; and,

FIG. 7 is a bottom plan view thereof.



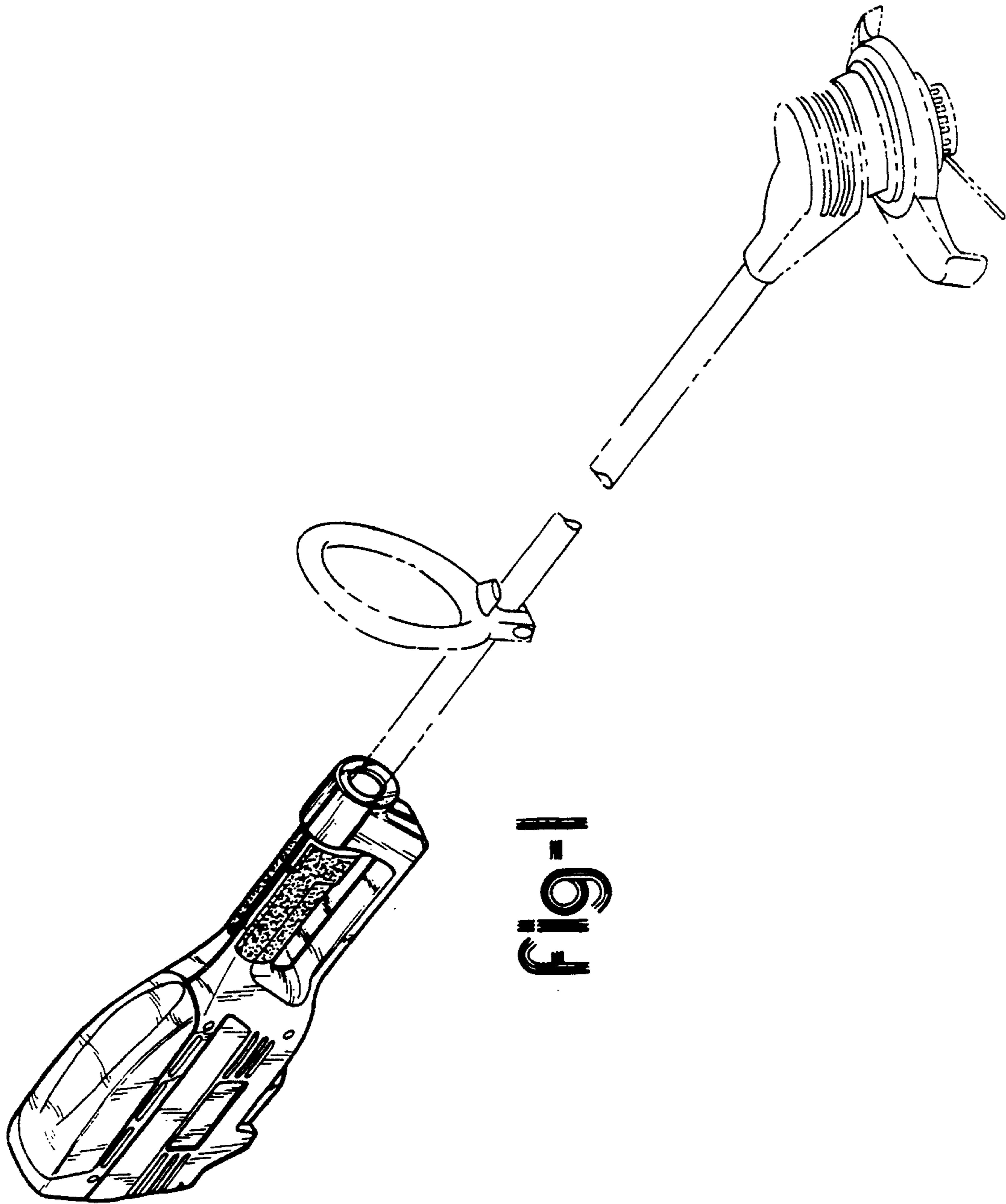


FIG-1

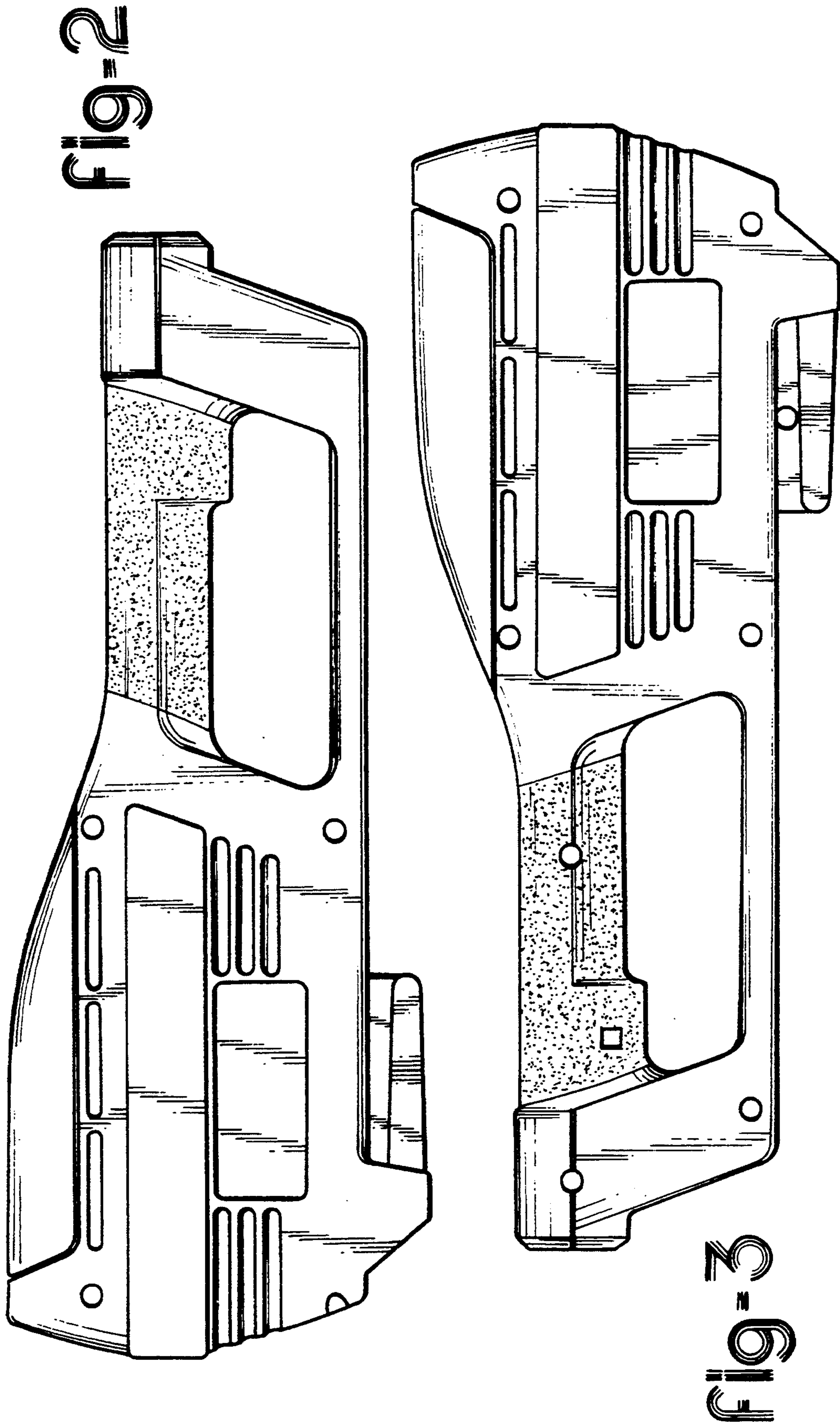


FIG-2

FIG-3

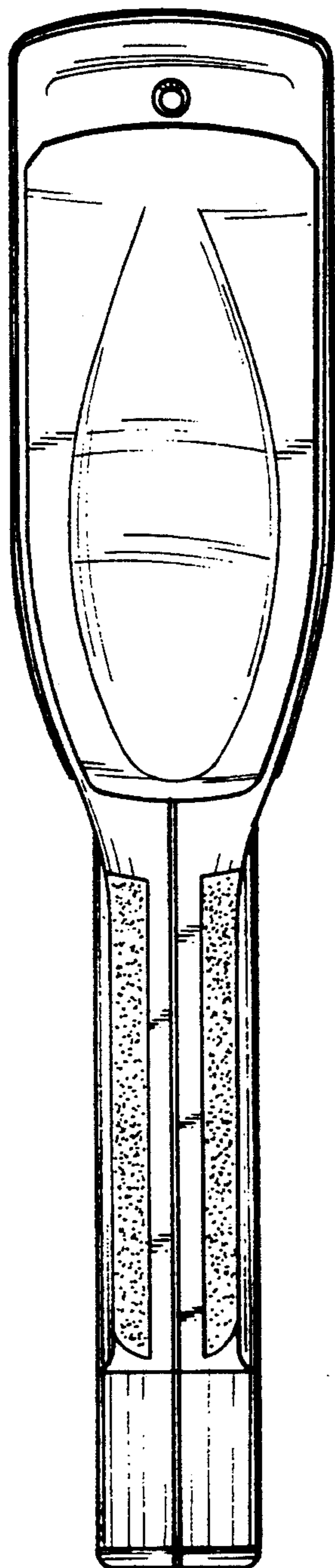


FIG-4

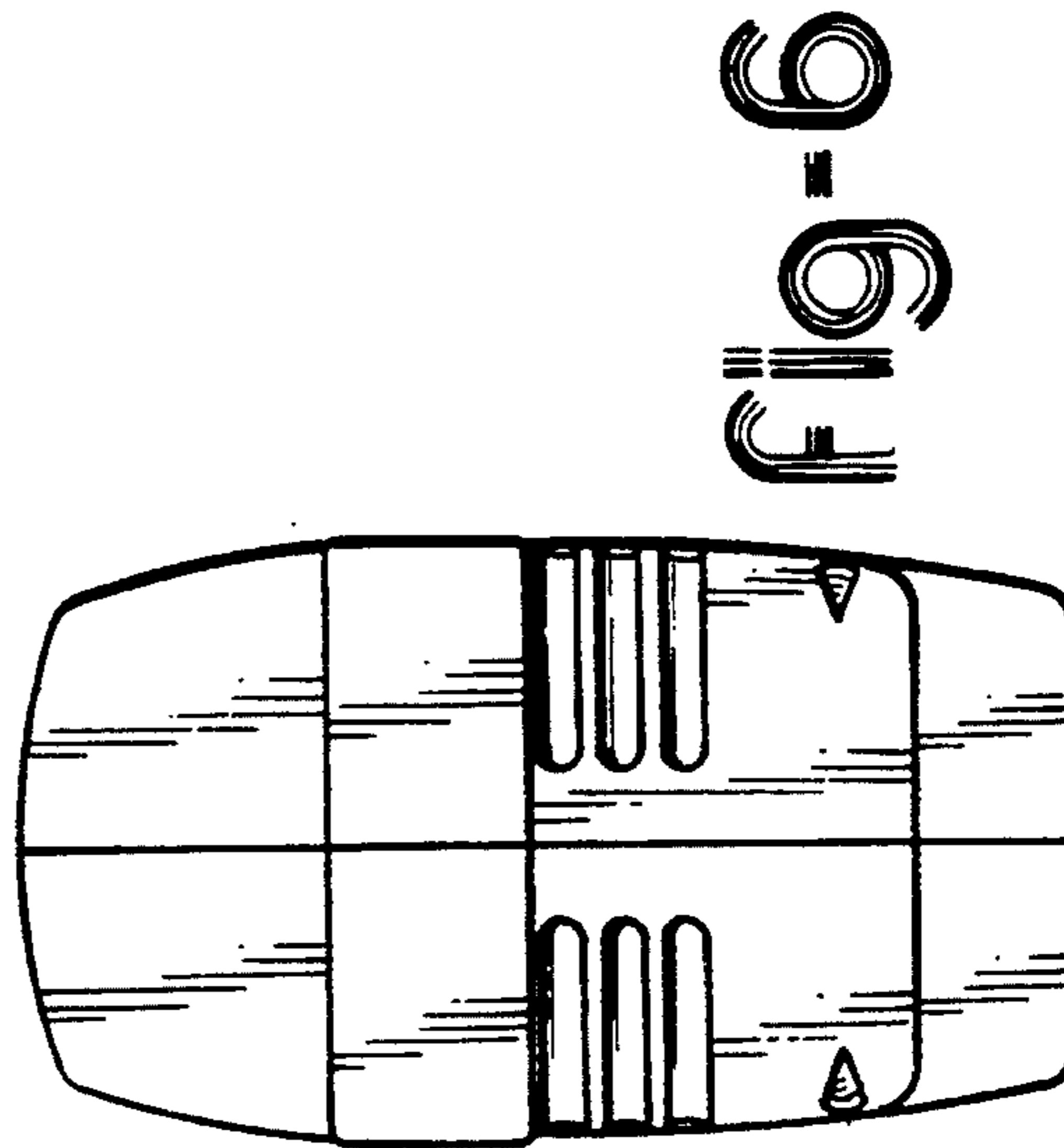


FIG-6

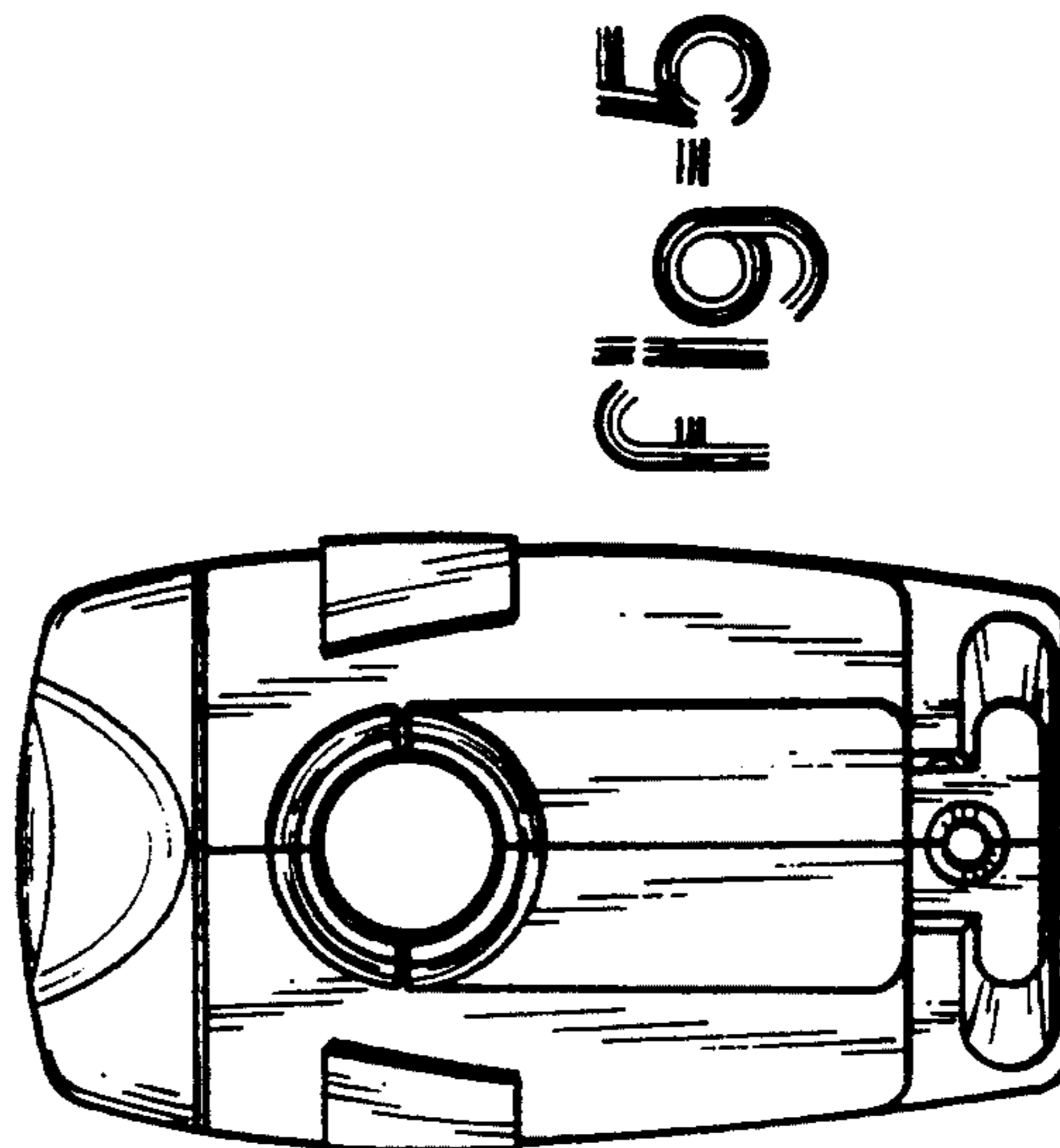


FIG-5

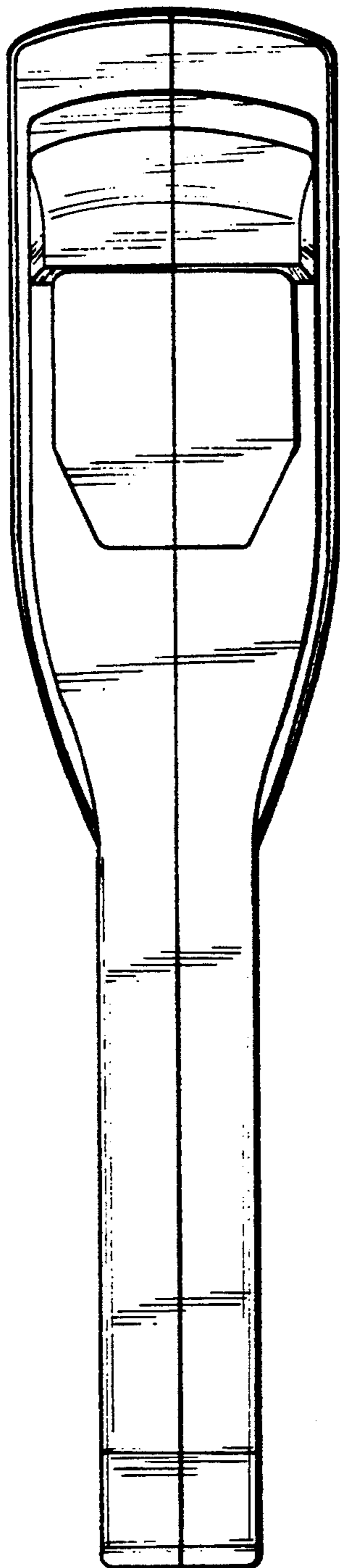


FIG. 7