



US00D352428S

United States Patent [19]
Waldmyer

[11] **Patent Number: Des. 352,428**
[45] **Date of Patent: ** Nov. 15, 1994**

[54] **COLLAPSIBLE FUNNEL**
[76] **Inventor: Charles E. Waldmyer, 213 Sasser Dr., Clovis, N. Mex. 88101**
[**] **Term: 14 Years**
[21] **Appl. No.: 6,261**
[22] **Filed: Mar. 23, 1993**
[52] **U.S. Cl. D7/700; D15/150**
[58] **Field of Search D7/700; 141/297-300, 141/331, 337, 338, 364; D15/150, 199**

4,531,245 7/1985 Lowd et al. 141/337 X
4,703,867 11/1987 Schoenhard .

Primary Examiner—Terry A. Wallace
Attorney, Agent, or Firm—Terry M. Gernstein

[57] **CLAIM**

The ornamental design for a collapsible funnel, as shown and described.

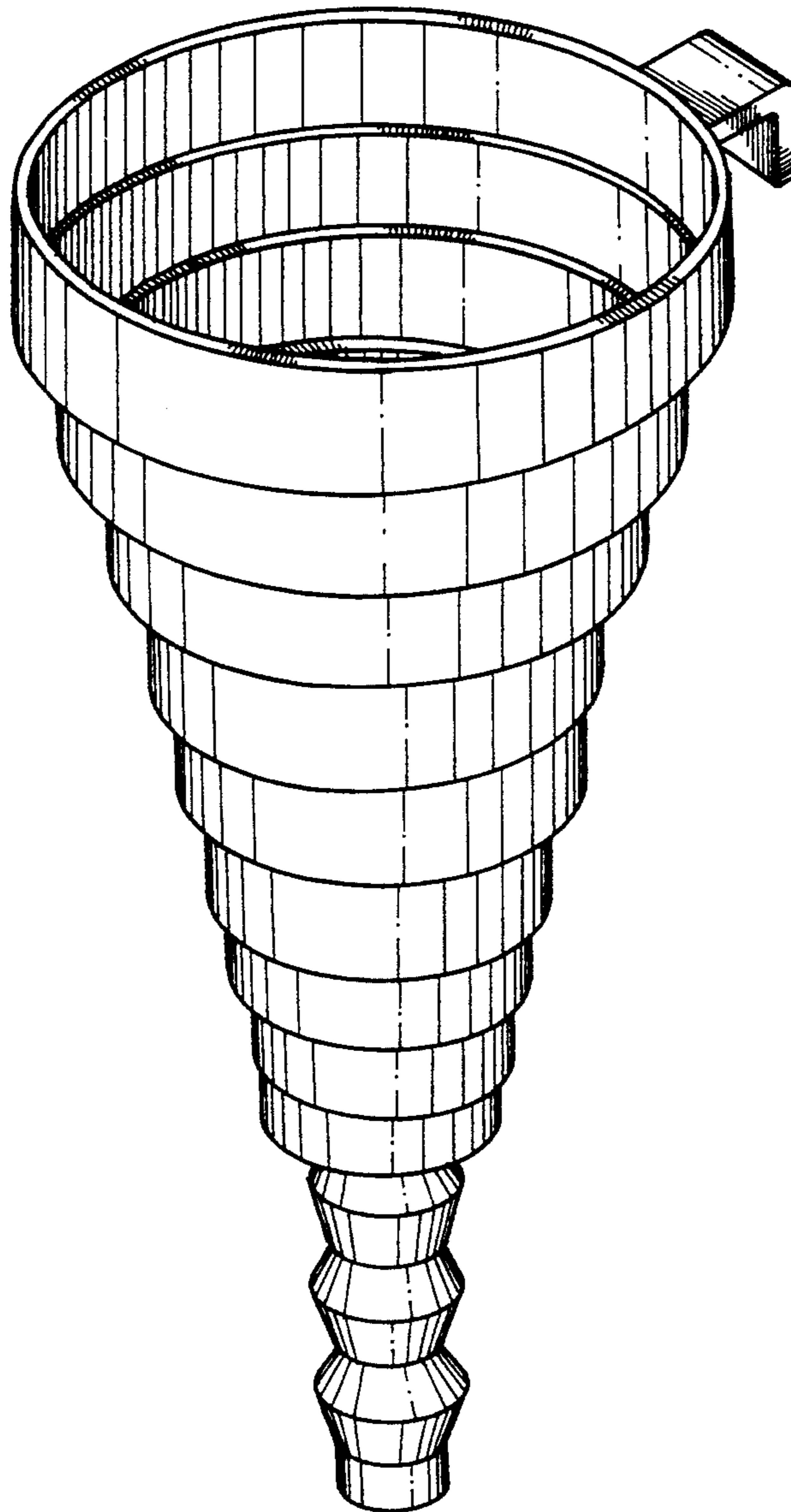
DESCRIPTION

FIG. 1 is a front, top and side perspective view of the collapsible funnel showing my new design;
FIG. 2 is a side elevational view thereof, the opposite side being a mirror image;
FIG. 3 is a rear elevational view thereof;
FIG. 4 is a top plan view thereof; and,
FIG. 5 is a bottom plan view thereof.

[56] **References Cited**

U.S. PATENT DOCUMENTS

D. 274,208 6/1984 Hildenbrand D7/700
3,815,646 6/1974 Coakley .
4,108,222 8/1978 Kaufman .



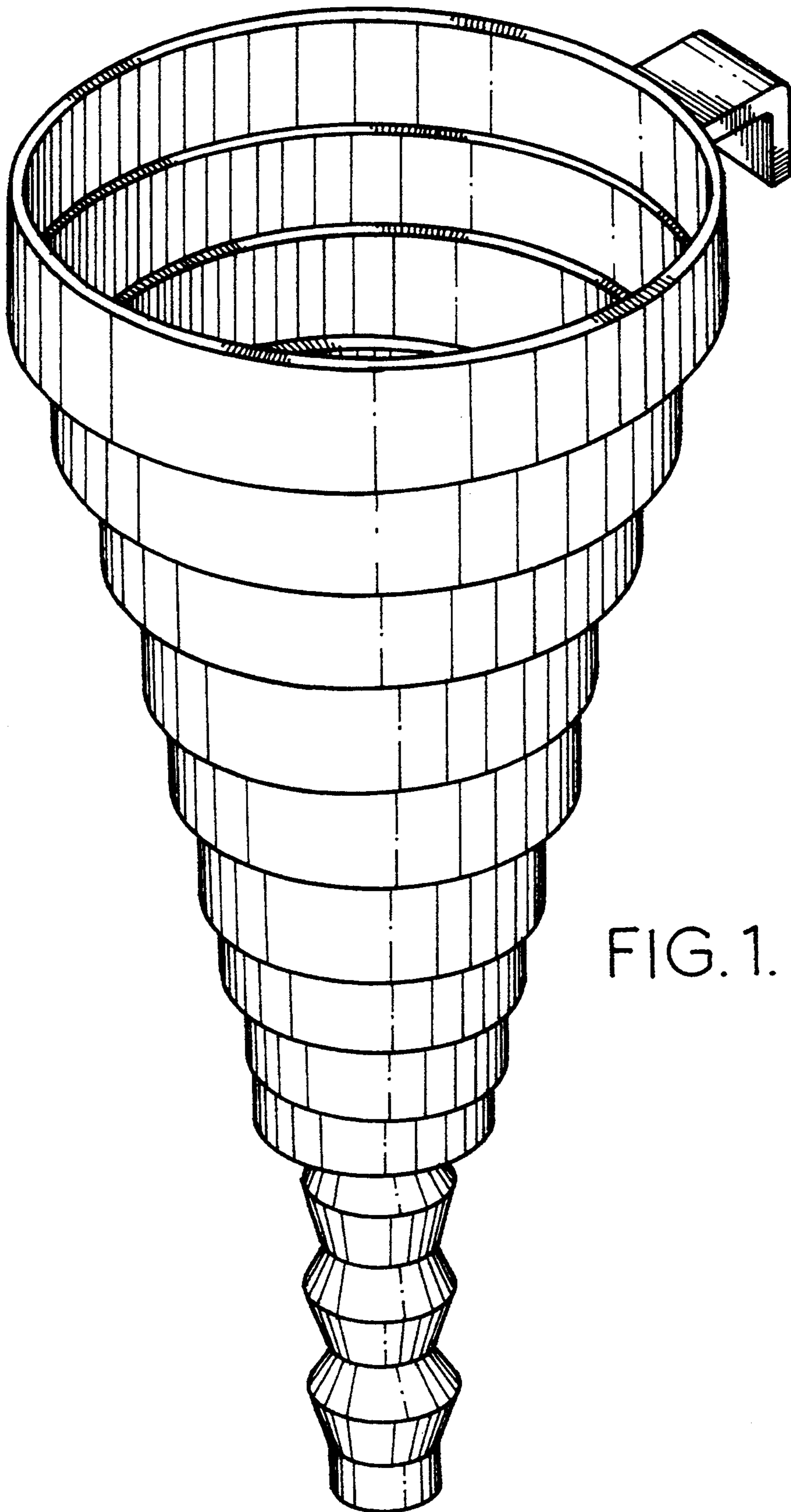


FIG. 1.

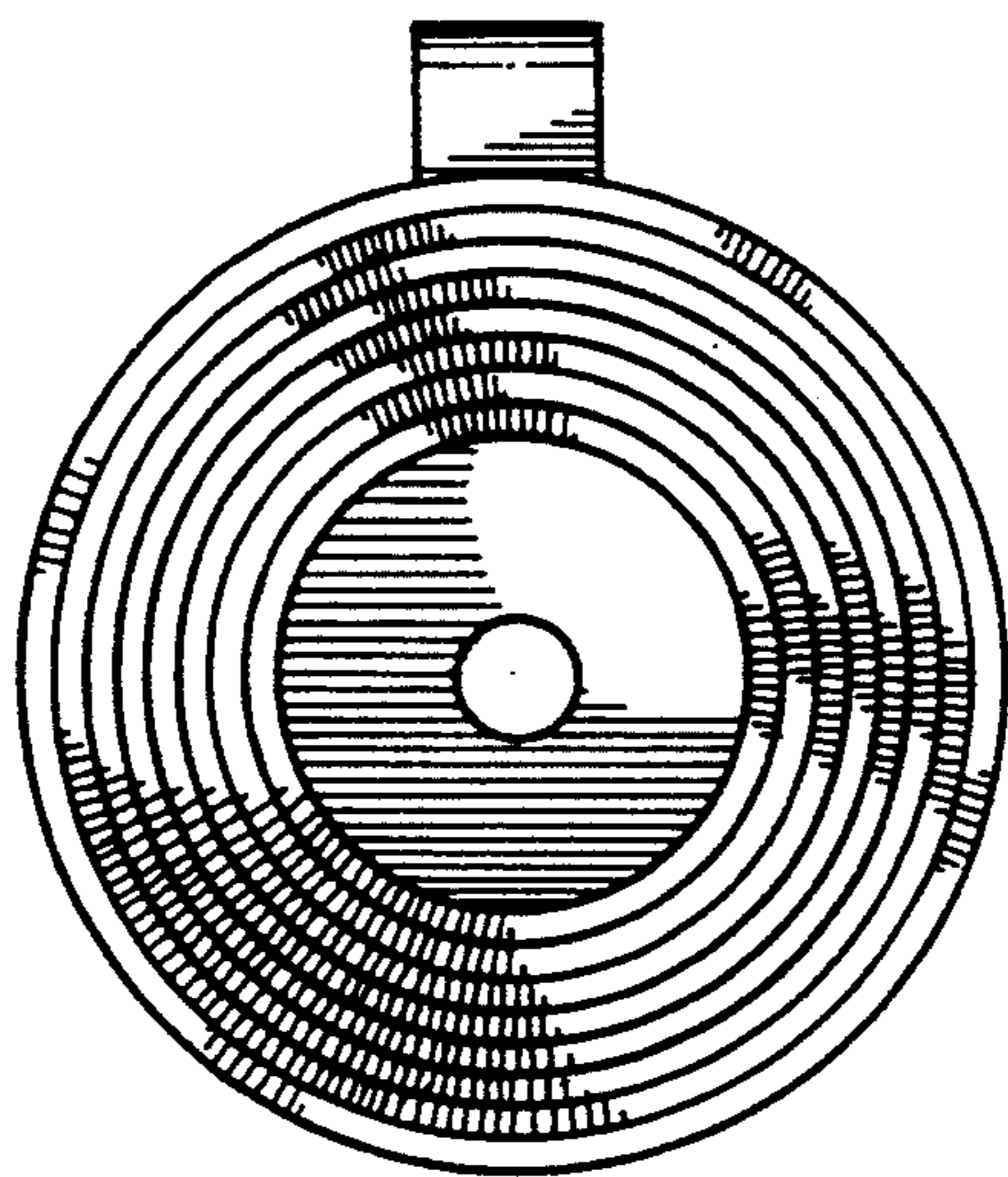


FIG. 4.

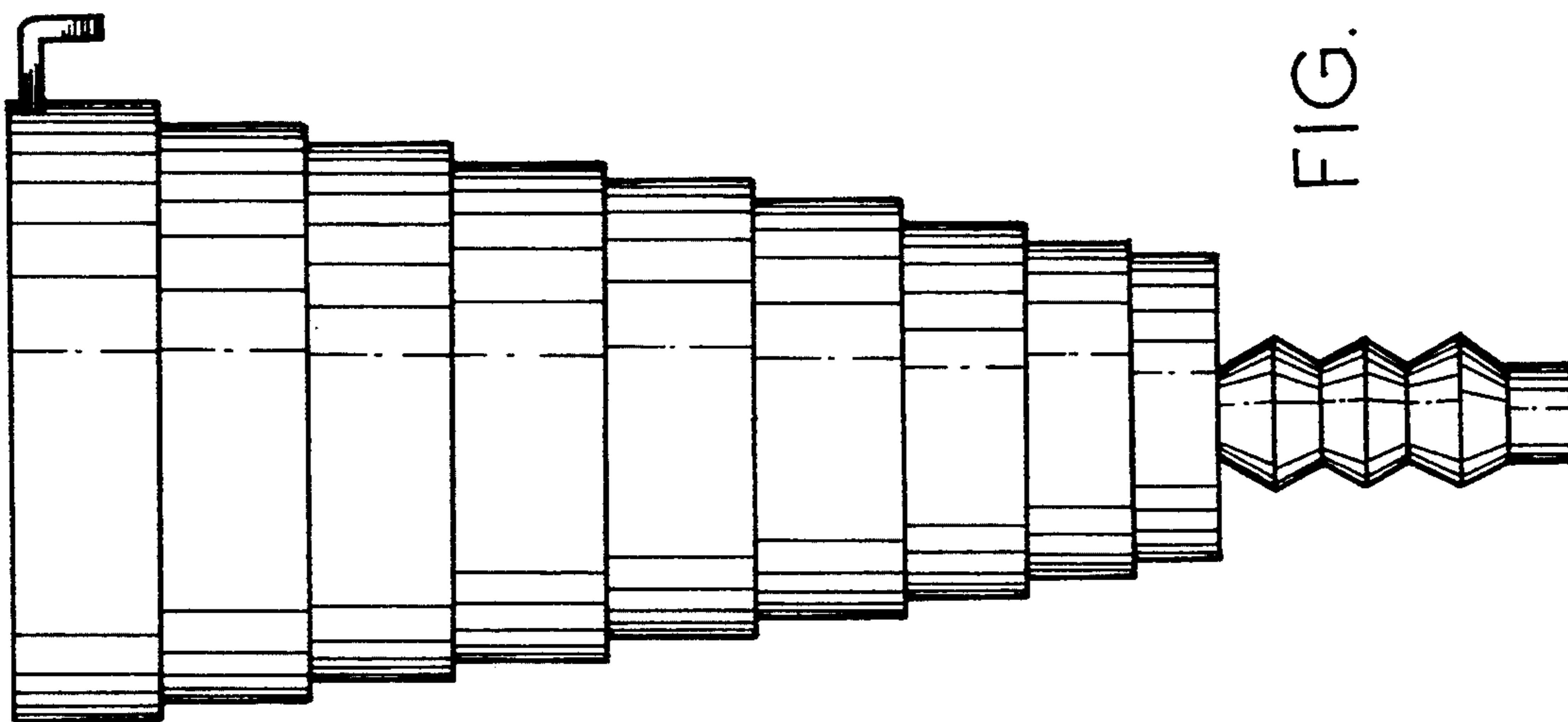


FIG. 2.

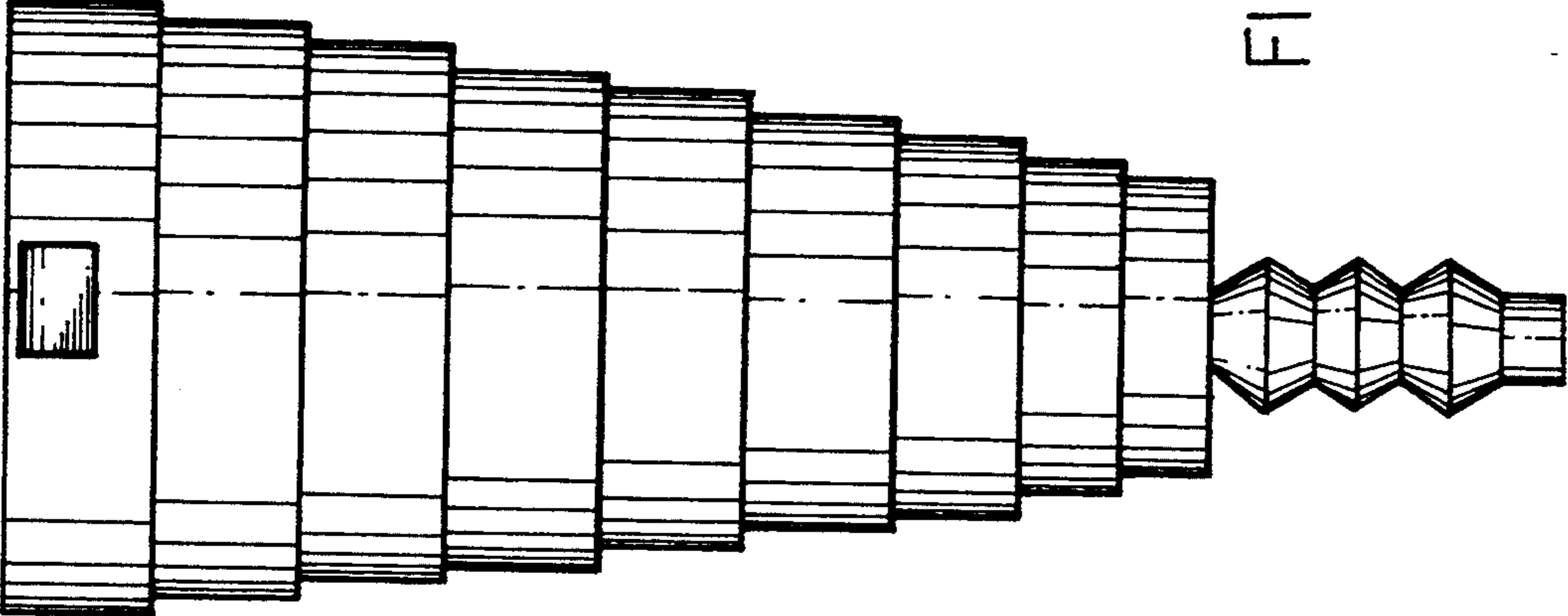


FIG. 3.

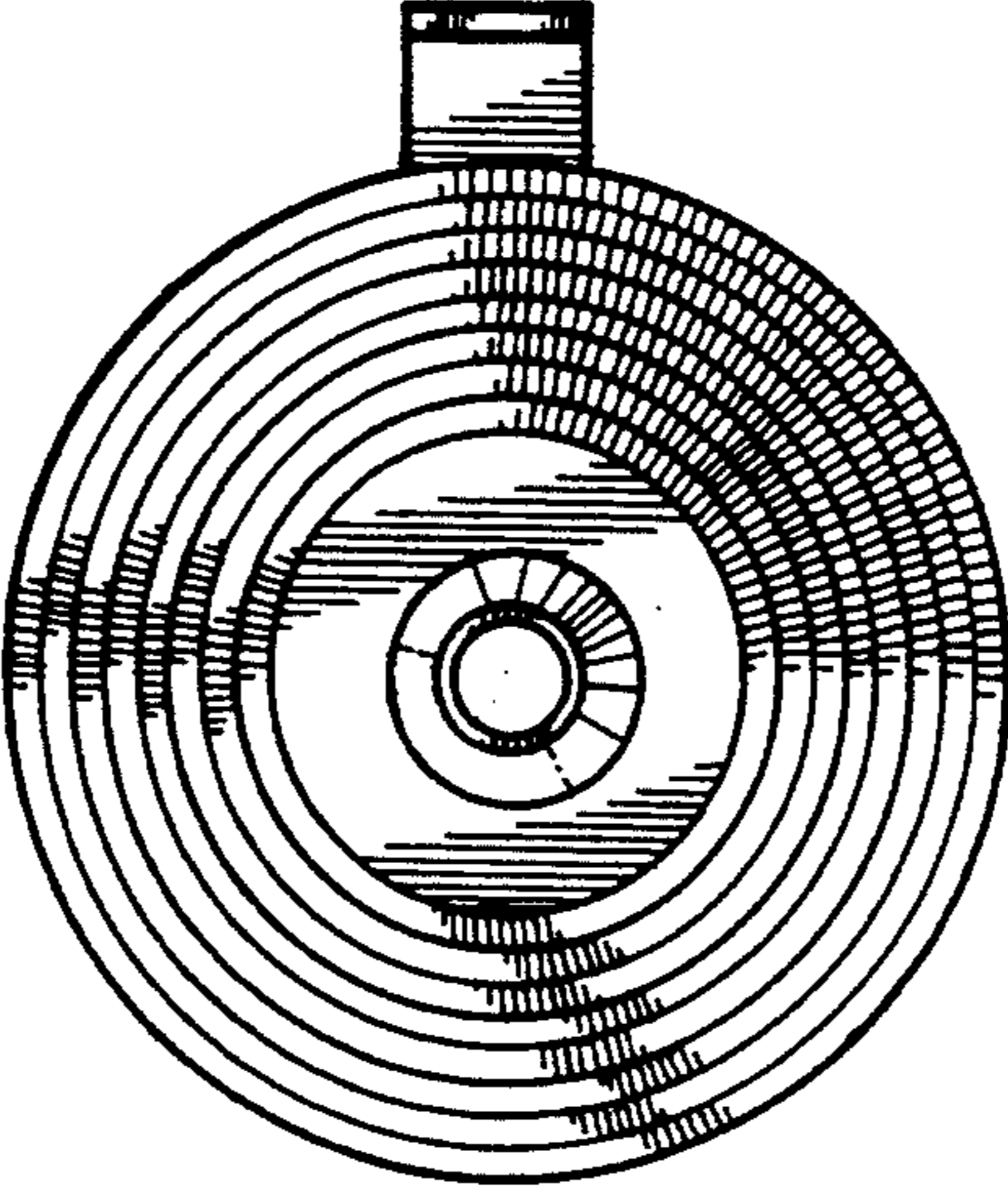


FIG. 5.