



US00D352427S

United States Patent [19] Burd

[11] Patent Number: **Des. 352,427**

[45] Date of Patent: **** Nov. 15, 1994**

[54] FISH FILLET BOARD

[75] Inventor: **Wayne D. Burd**, High Ridge, Mo.

[73] Assignee: **Koller-Craft Plastic Products**,
Fenton, Mo.

[**] Term: **14 Years**

[21] Appl. No.: **6,596**

[22] Filed: **Apr. 2, 1993**

[52] U.S. Cl. **D7/698**

[58] Field of Search **D7/673, 686, 698;**
269/15, 289 R; 452/194-196

[56] References Cited

U.S. PATENT DOCUMENTS

D. 308,792	6/1990	Lord et al.	D7/698
2,795,814	6/1957	Gaultney	452/195
3,736,088	5/1973	Jimenez	D7/698 X
3,908,231	9/1975	Price et al.	452/195

OTHER PUBLICATIONS

Bass Pro catalog, 1993, showing prior art fish-cleaning boards, p. 278.

Primary Examiner—Terry A. Wallace
Attorney, Agent, or Firm—Senniger, Powers, Leavitt & Roedel

[57] CLAIM

The ornamental design for fish fillet board, as shown and described.

DESCRIPTION

FIG. 1 is a perspective view of a fish fillet board showing my new design;

FIG. 2 is a top plan view thereof;

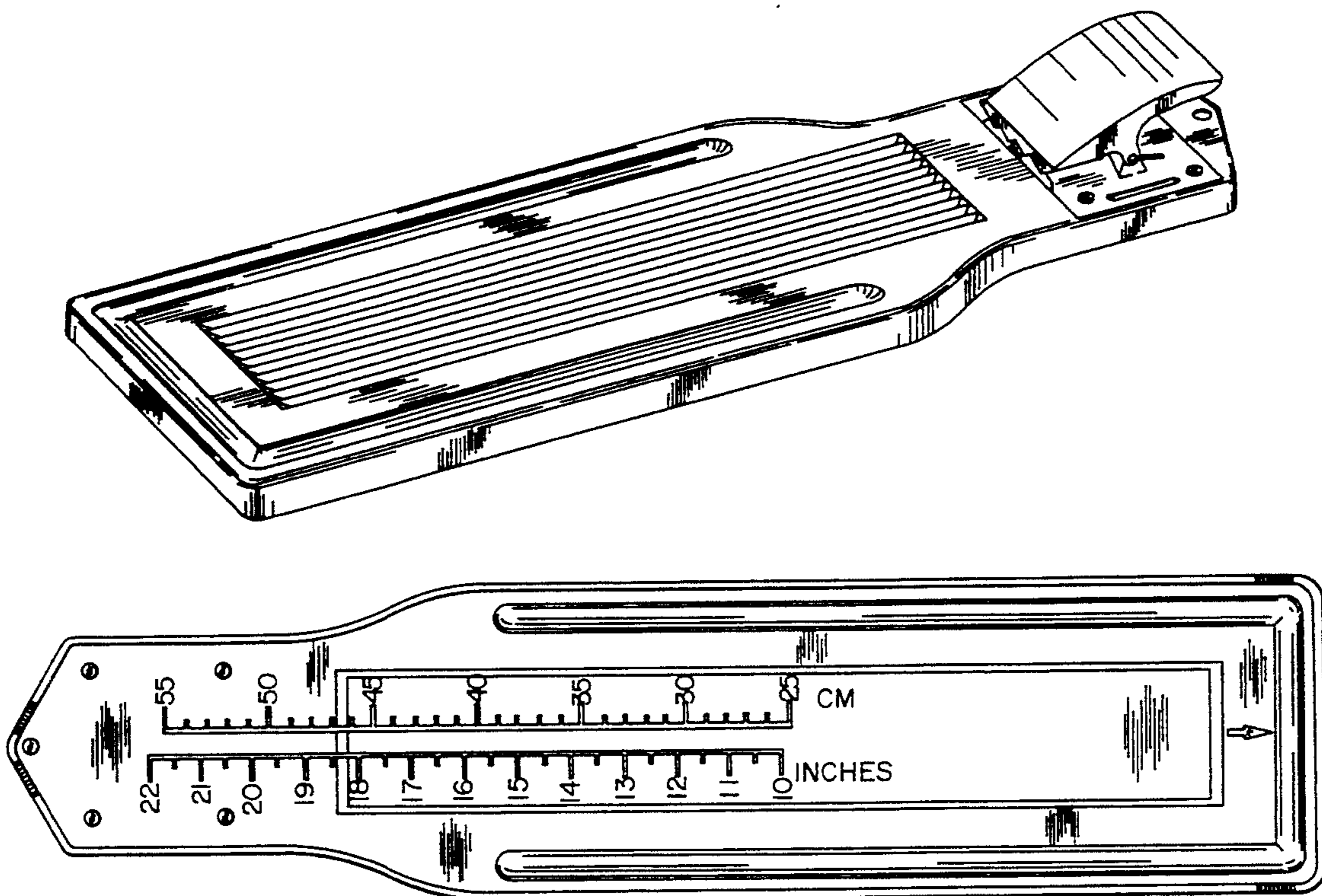
FIG. 3 is a bottom plan view thereof;

FIG. 4 is a front elevational view thereof, the rear elevational view being a mirror image of the front elevational view;

FIG. 5 is a left end elevational view thereof;

FIG. 6 is a right end elevational view thereof; and,

FIG. 7 is a bottom plan view of an alternate embodiment of FIG. 1, the remaining views being similar to FIGS. 1, 2 and 4-6.



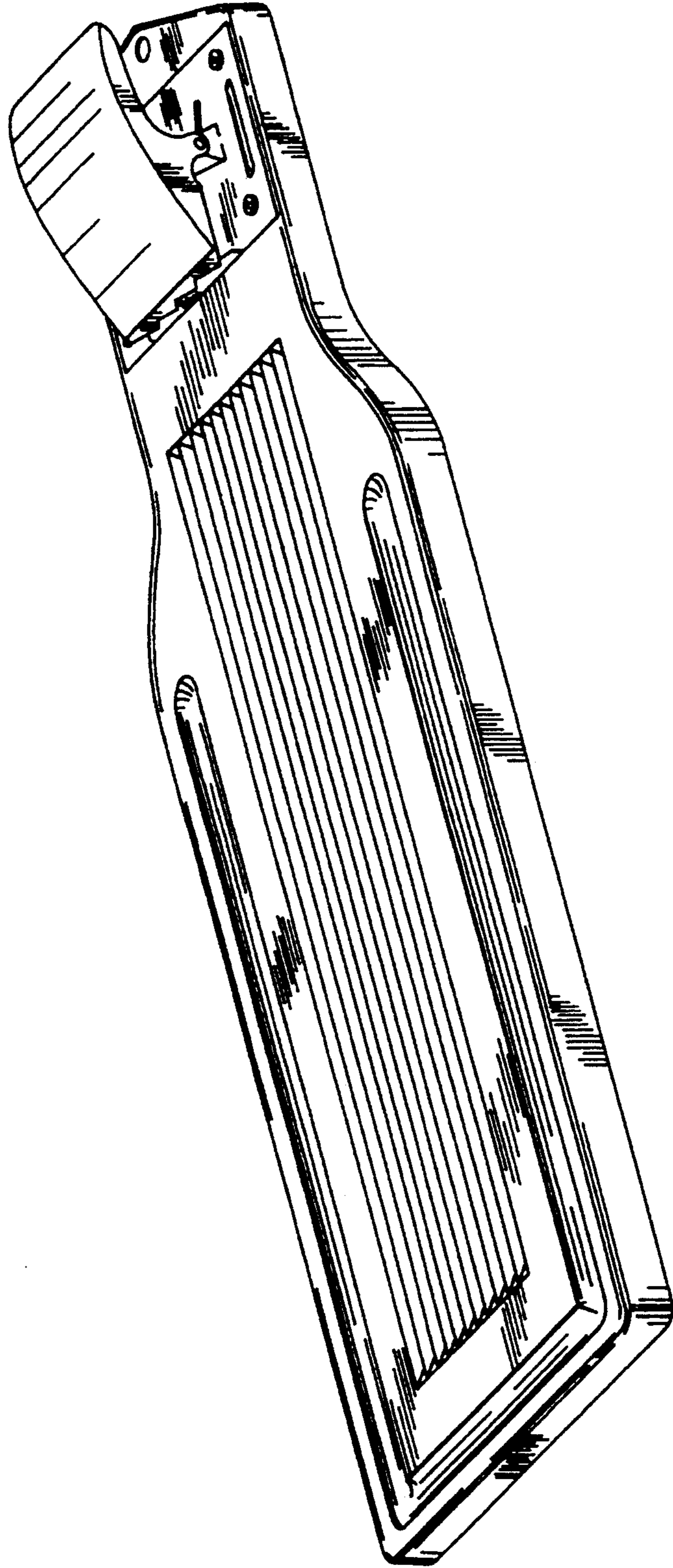


FIG. 1

FIG. 2

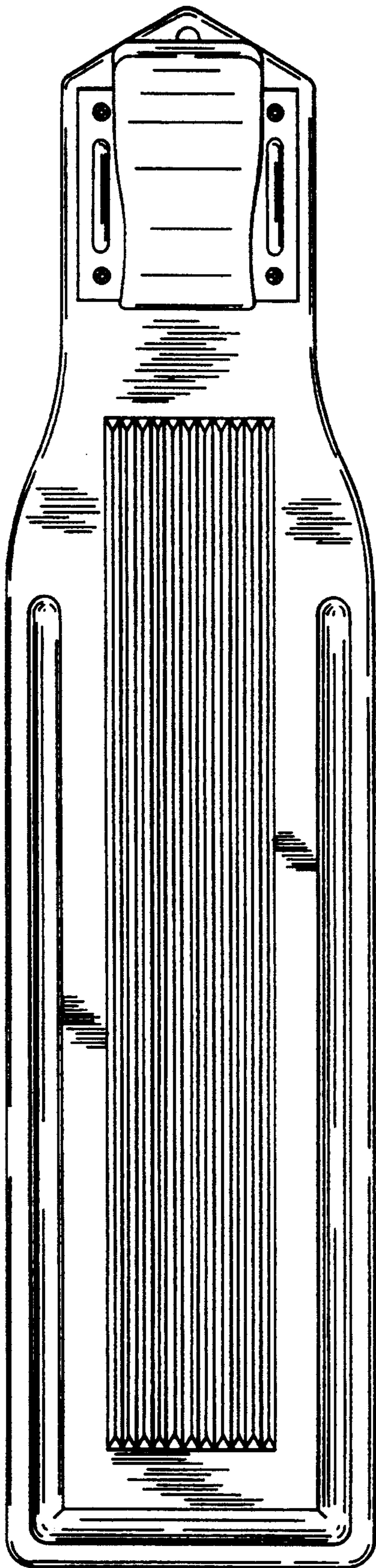


FIG. 3

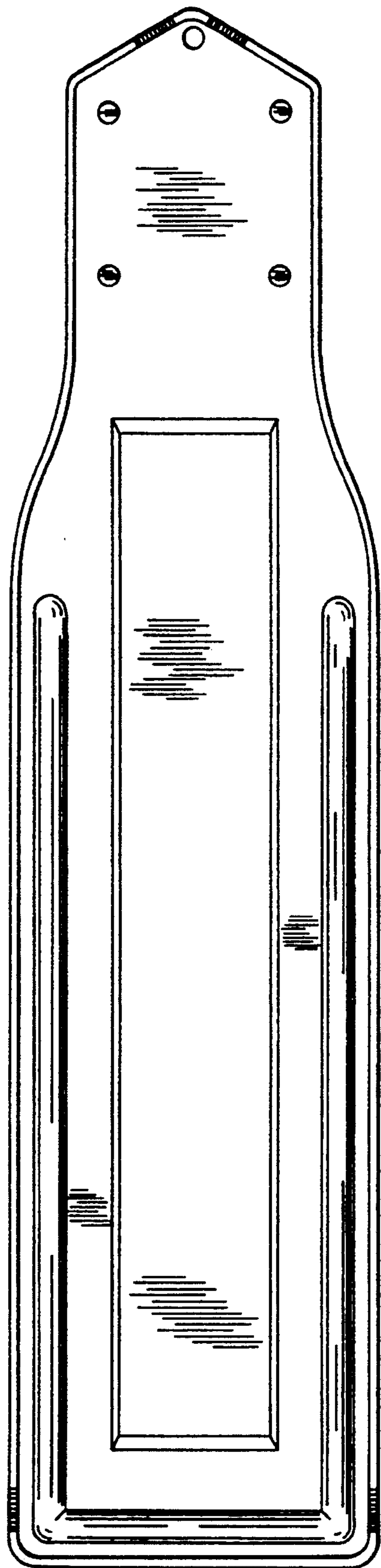


FIG. 4



FIG. 5

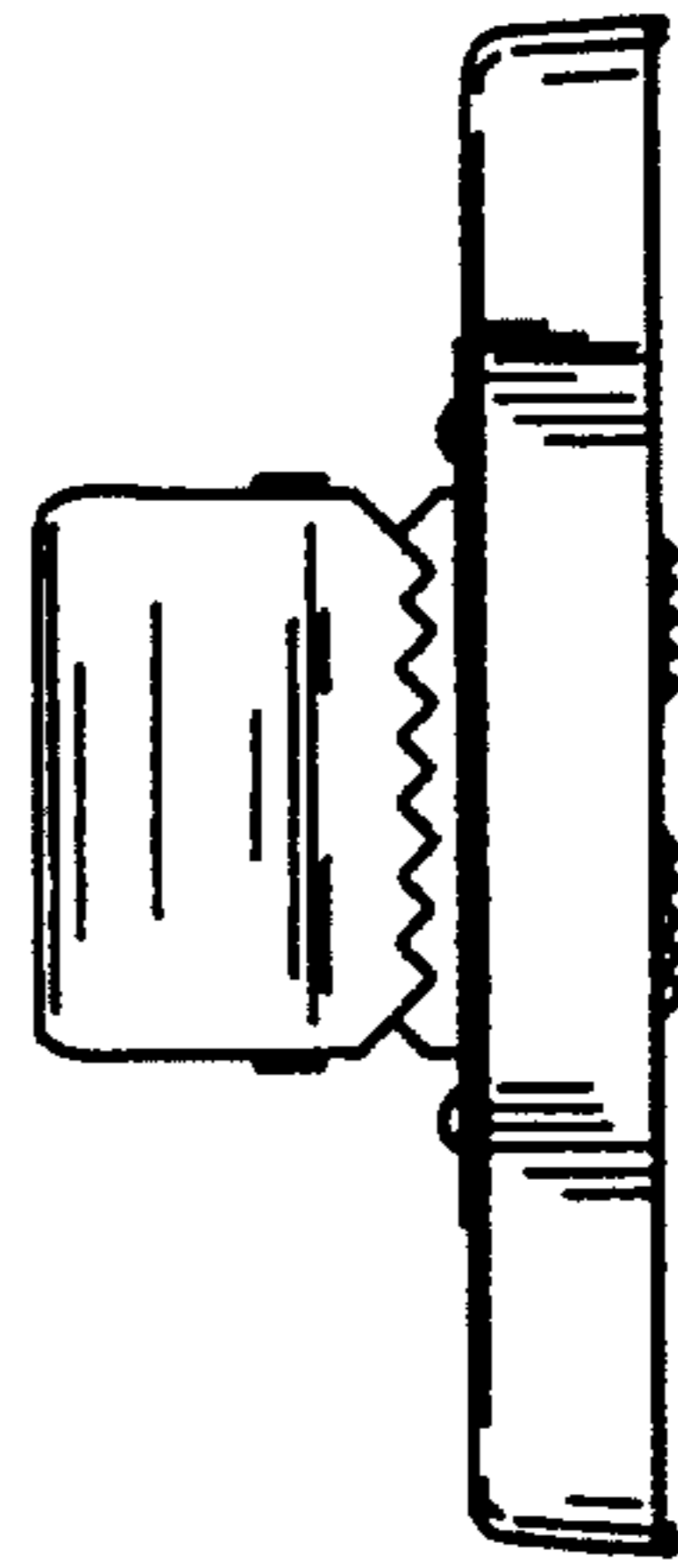


FIG. 6

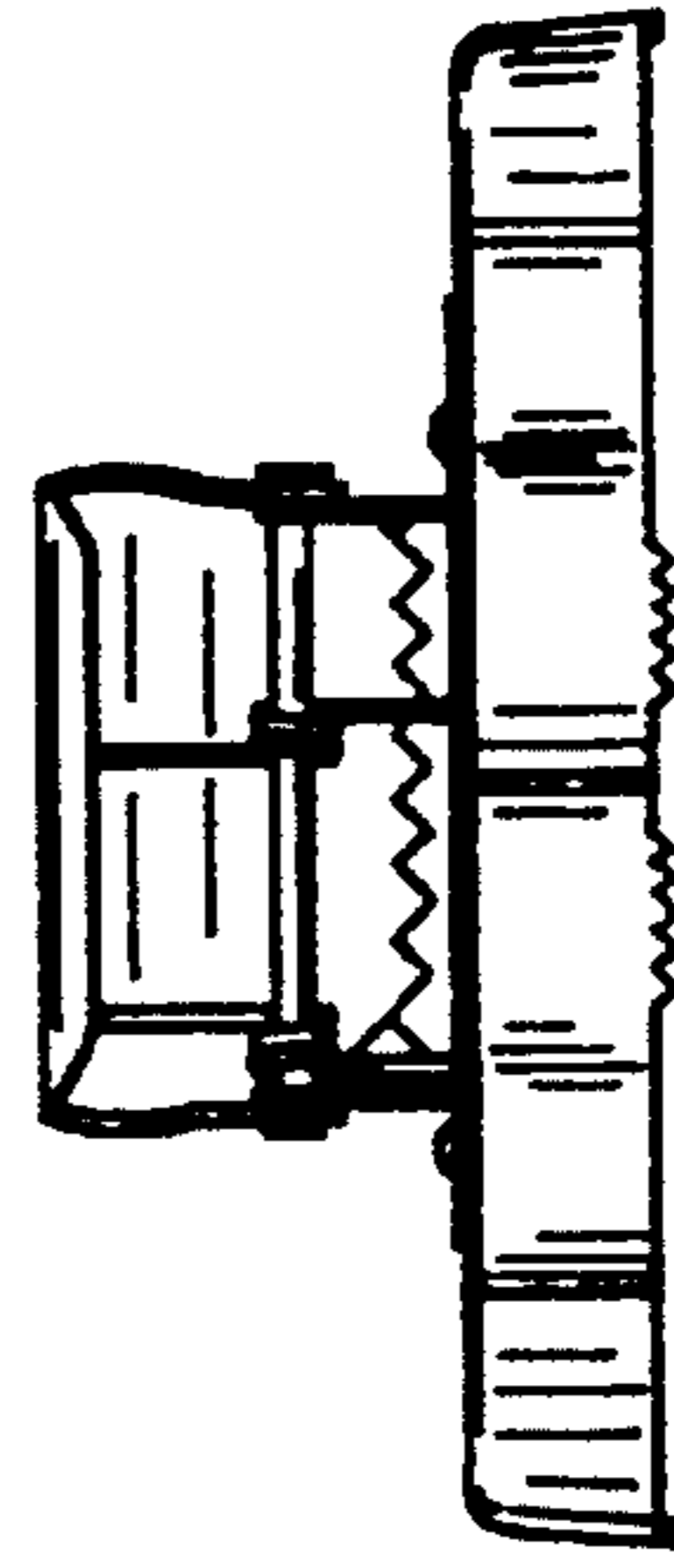


FIG. 7

