



US00D352422S

United States Patent [19]

[11] Patent Number: Des. 352,422

Bigelow

[45] Date of Patent: ** Nov. 15, 1994

- [54] **ELECTRIC CHEESE GRATER WITH SPRING-LOADED CHEESE COMPARTMENT**
- [75] Inventor: **George Bigelow, Chai Wan, Hong Kong**
- [73] Assignee: **Nor-Wol Products, Inc., Canada**
- [**] Term: **14 Years**
- [21] Appl. No.: **9,825**
- [22] Filed: **Jun. 22, 1993**
- [52] U.S. Cl. **D7/372; D7/678**
- [58] Field of Search **D7/678-679, D7/372, 381; 241/92, 93, 168, 169.1, 273.2**

- 4,002,298 1/1977 Latora .
- 4,082,330 4/1978 Bounds .
- 5,071,663 12/1991 Dugan .

Primary Examiner—Terry A. Wallace

[57] CLAIM

The ornamental design for an electric cheese grater with spring-loaded cheese compartment, as shown and described.

DESCRIPTION

FIG. 1 is a perspective view of an electric cheese grater with spring-loaded cheese compartment showing my new design;

FIG. 2 is a perspective view thereof in an open position;

FIG. 3 is a rear elevational view thereof;

FIG. 4 is a top plan view thereof;

FIG. 5 is a bottom plan view thereof;

FIG. 6 is a side elevational view thereof;

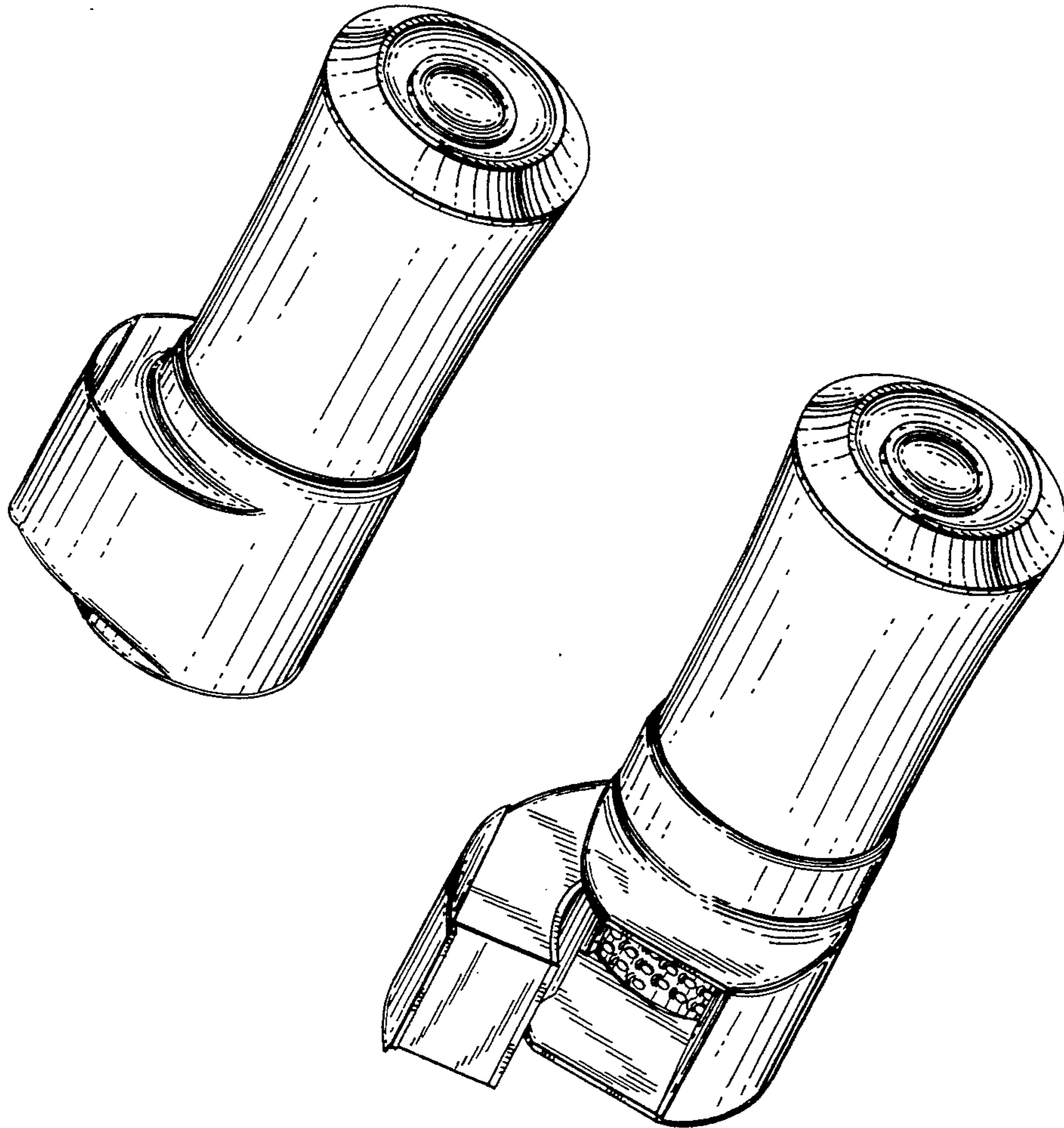
FIG. 7 is an opposite side elevational view thereof;

FIG. 8 is a bottom plan view thereof in an open position; and,

FIG. 9 is a bottom plan view of an alternate embodiment of FIG. 1, the remaining views being similar to the first embodiment.

[56] **References Cited**
U.S. PATENT DOCUMENTS

- D. 252,662 8/1979 Bounds .
- D. 255,861 7/1980 Hsu .
- D. 333,762 3/1993 Herren .
- 3,581,790 6/1971 Del Conte .
- 3,610,304 10/1971 Popeil .
- 3,642,045 2/1972 Buvelot .
- 3,912,176 10/1975 Mantelet .



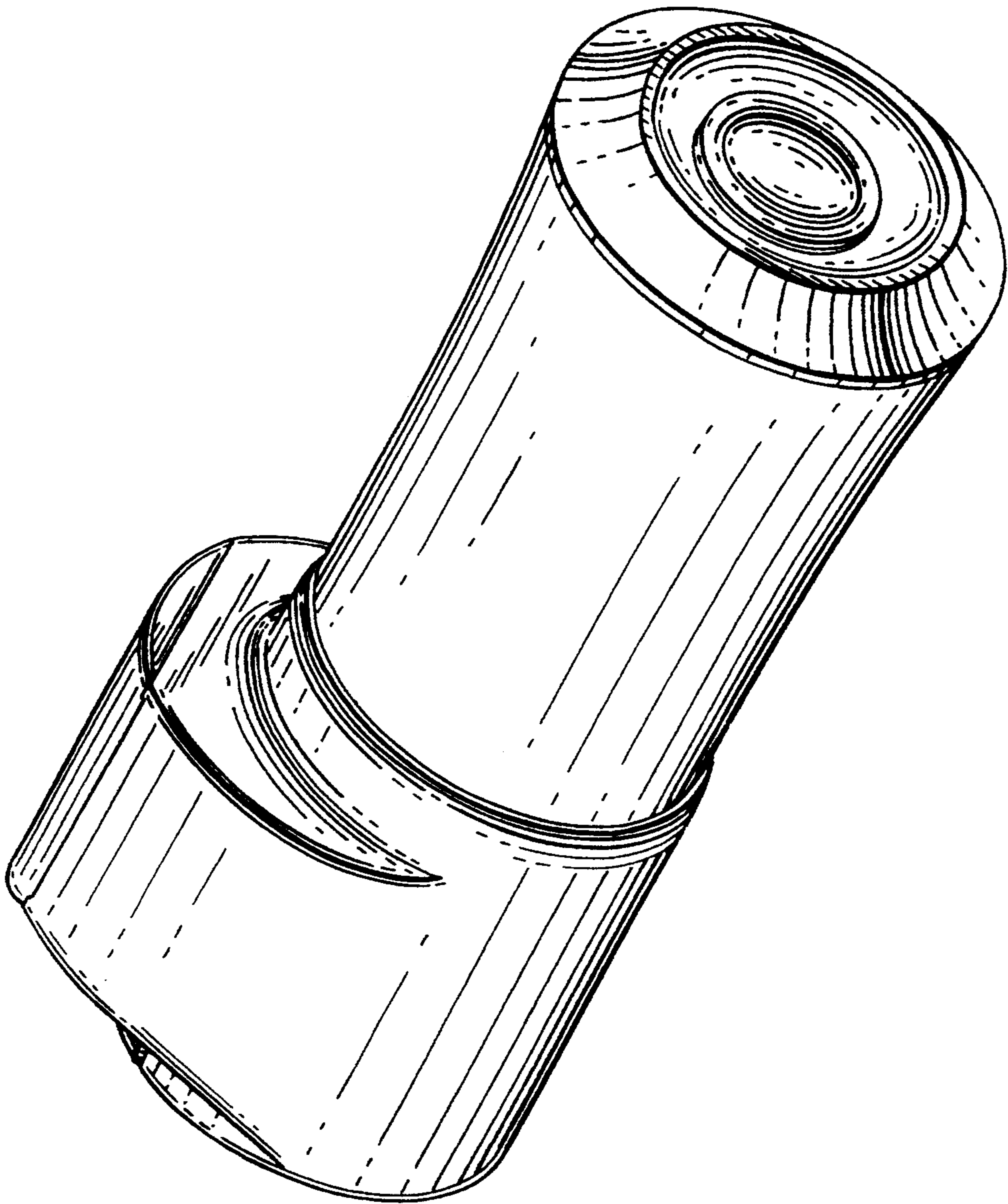


FIG. 1

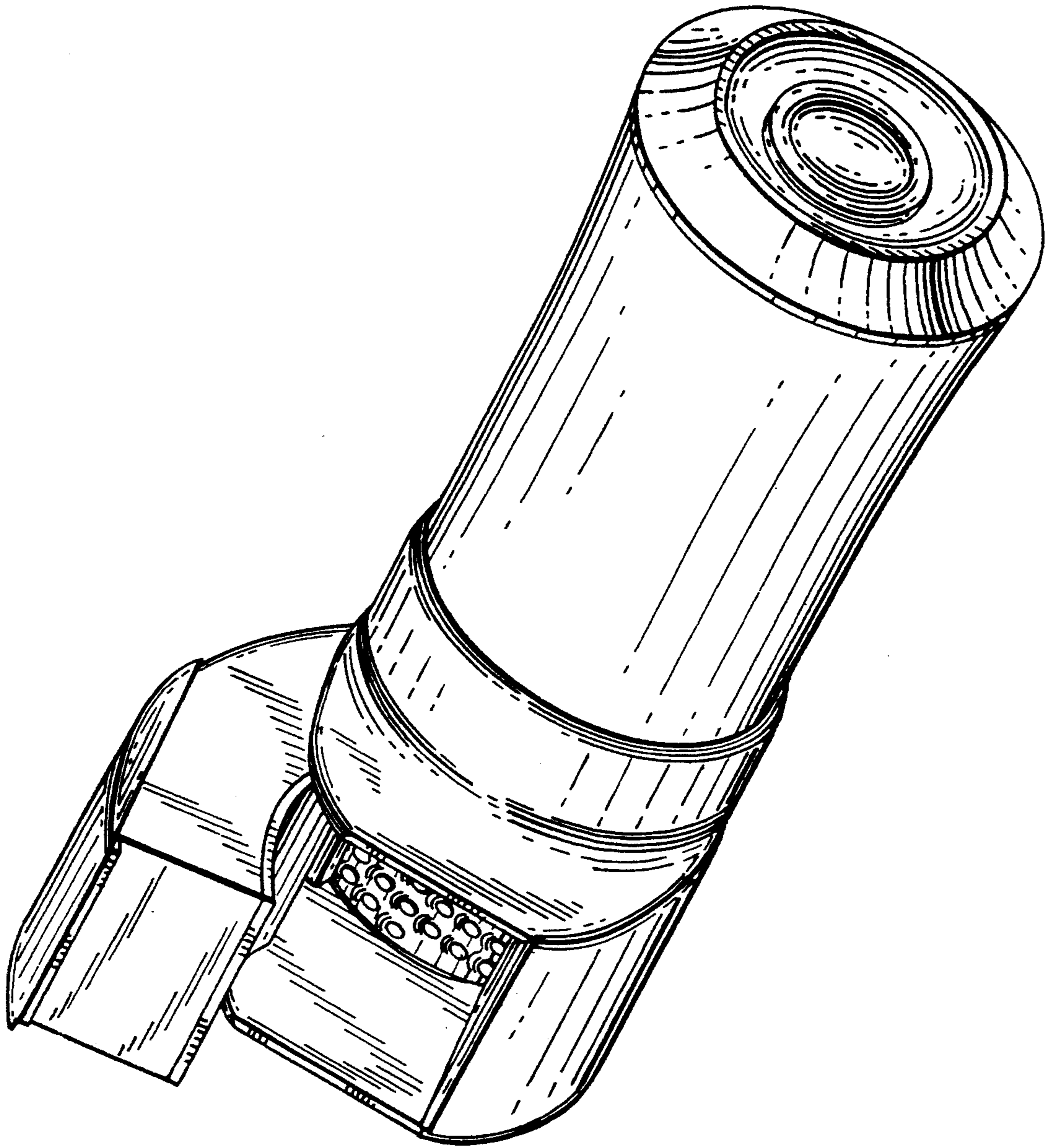


FIG. 2

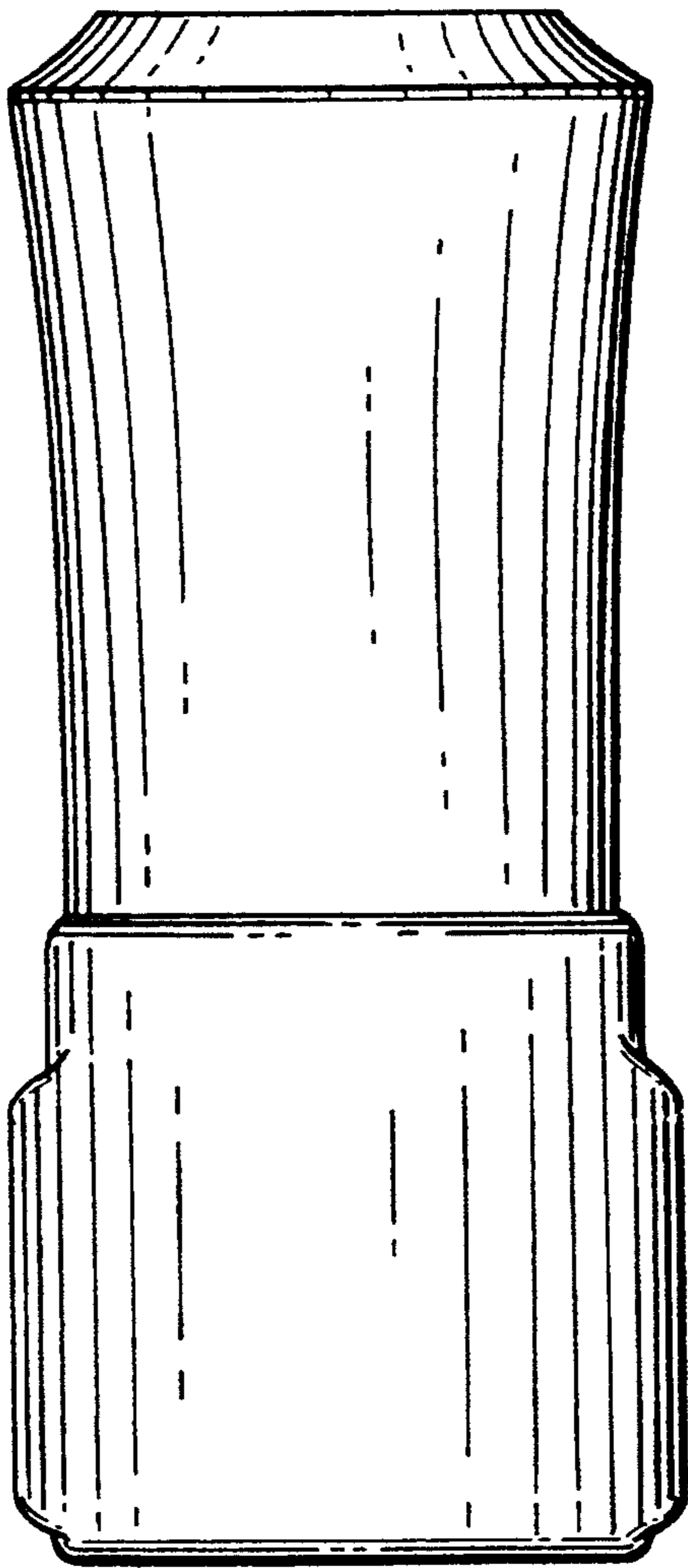


FIG. 3

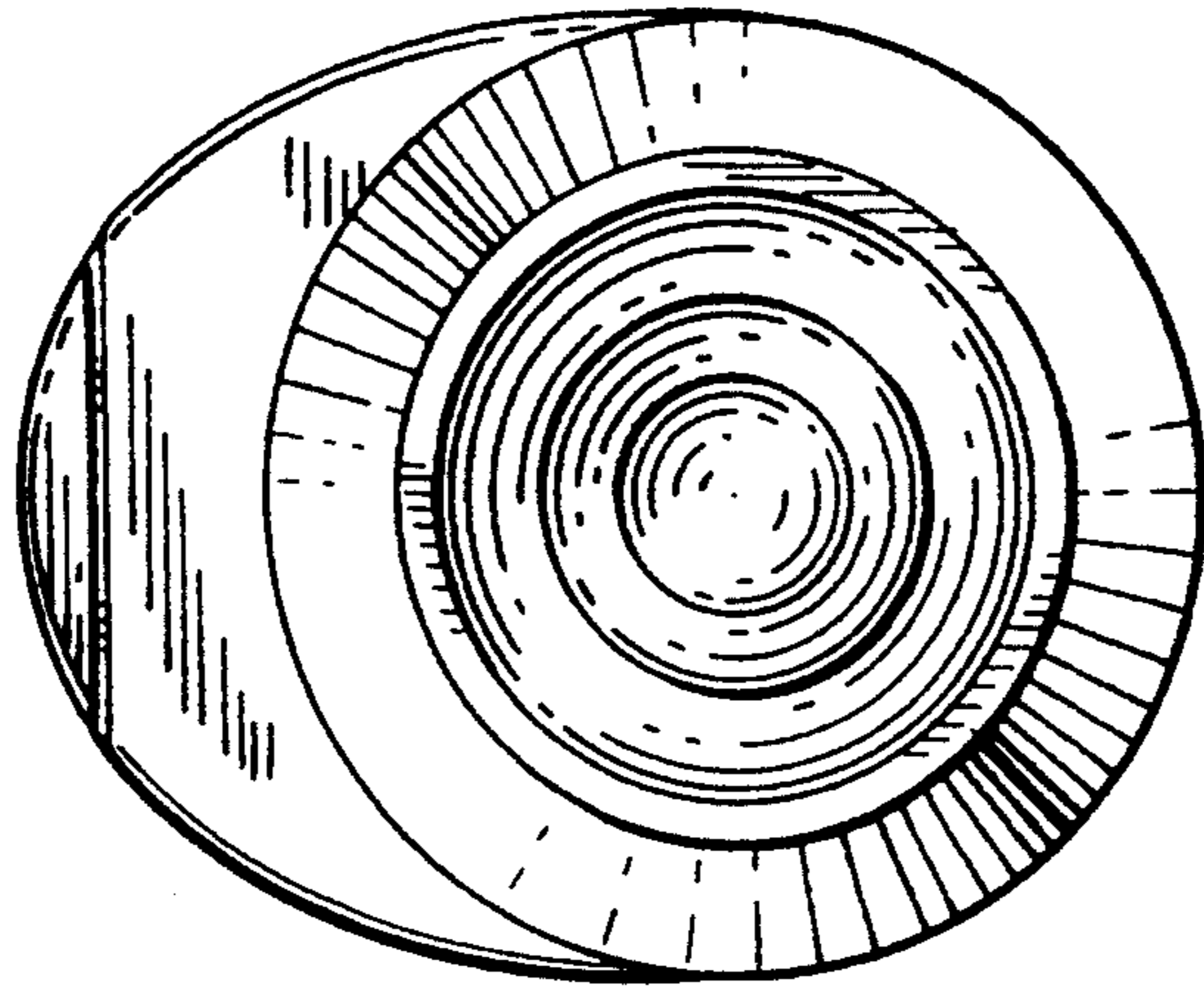


FIG. 4

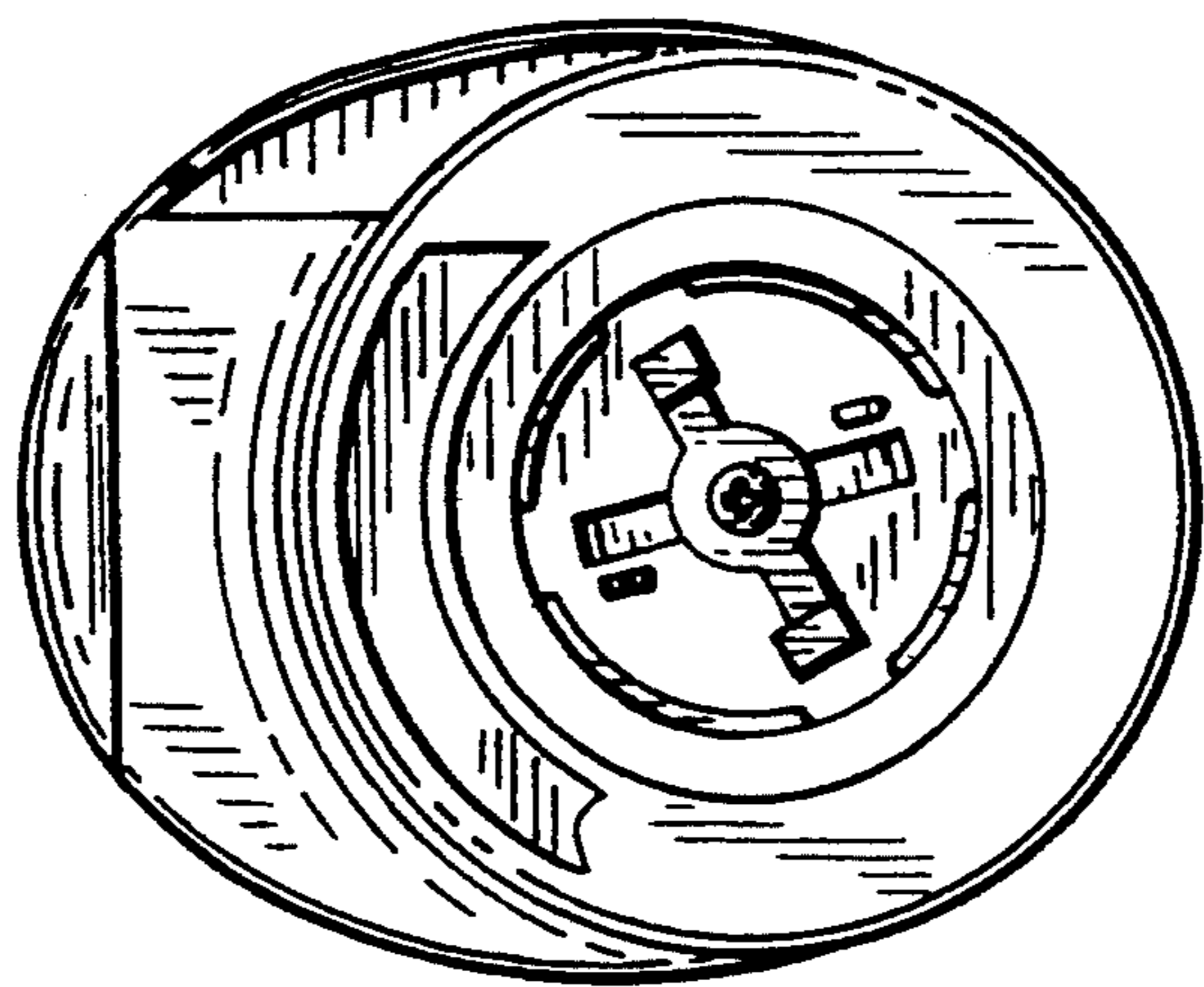


FIG. 5

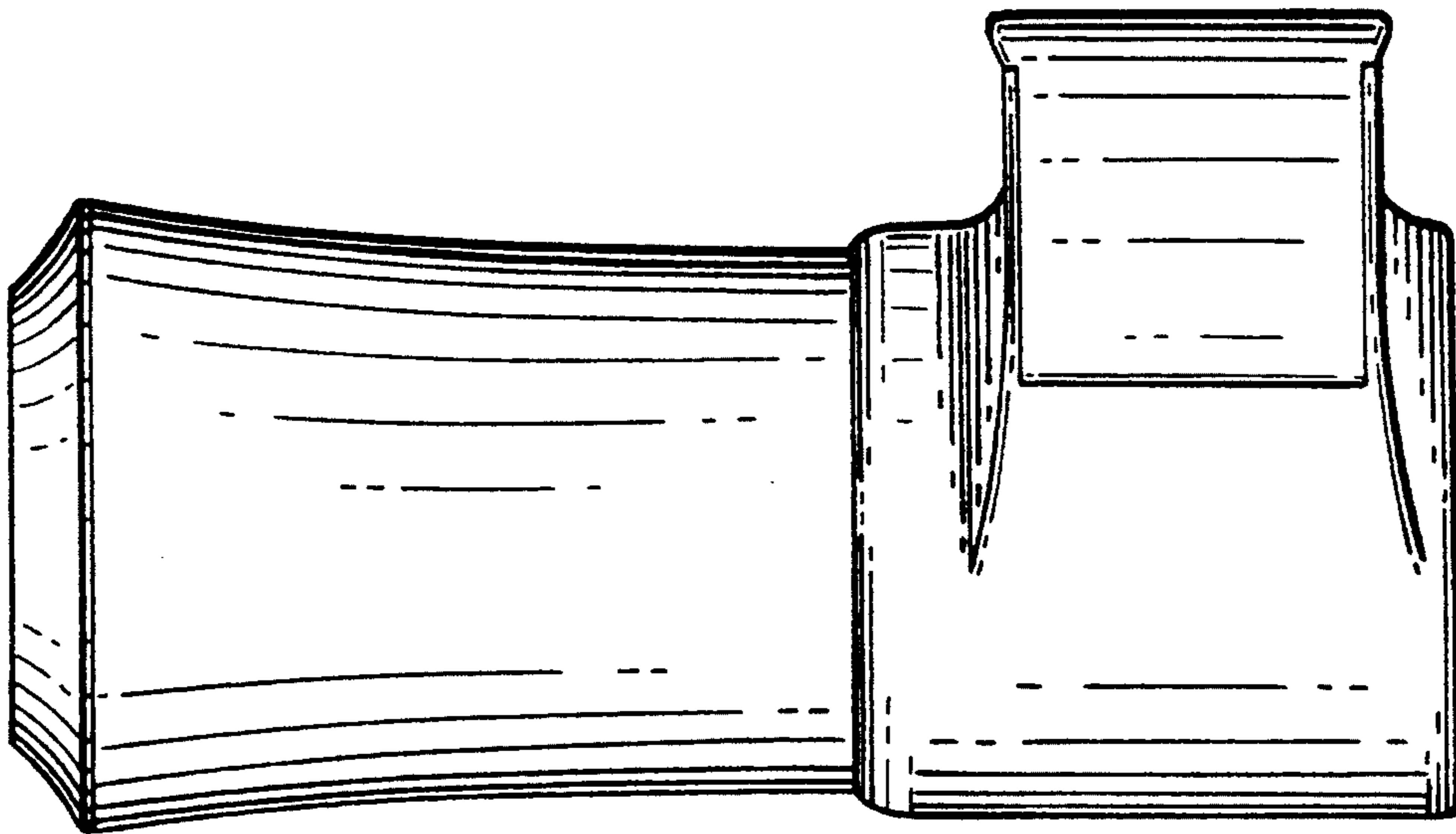


FIG. 7

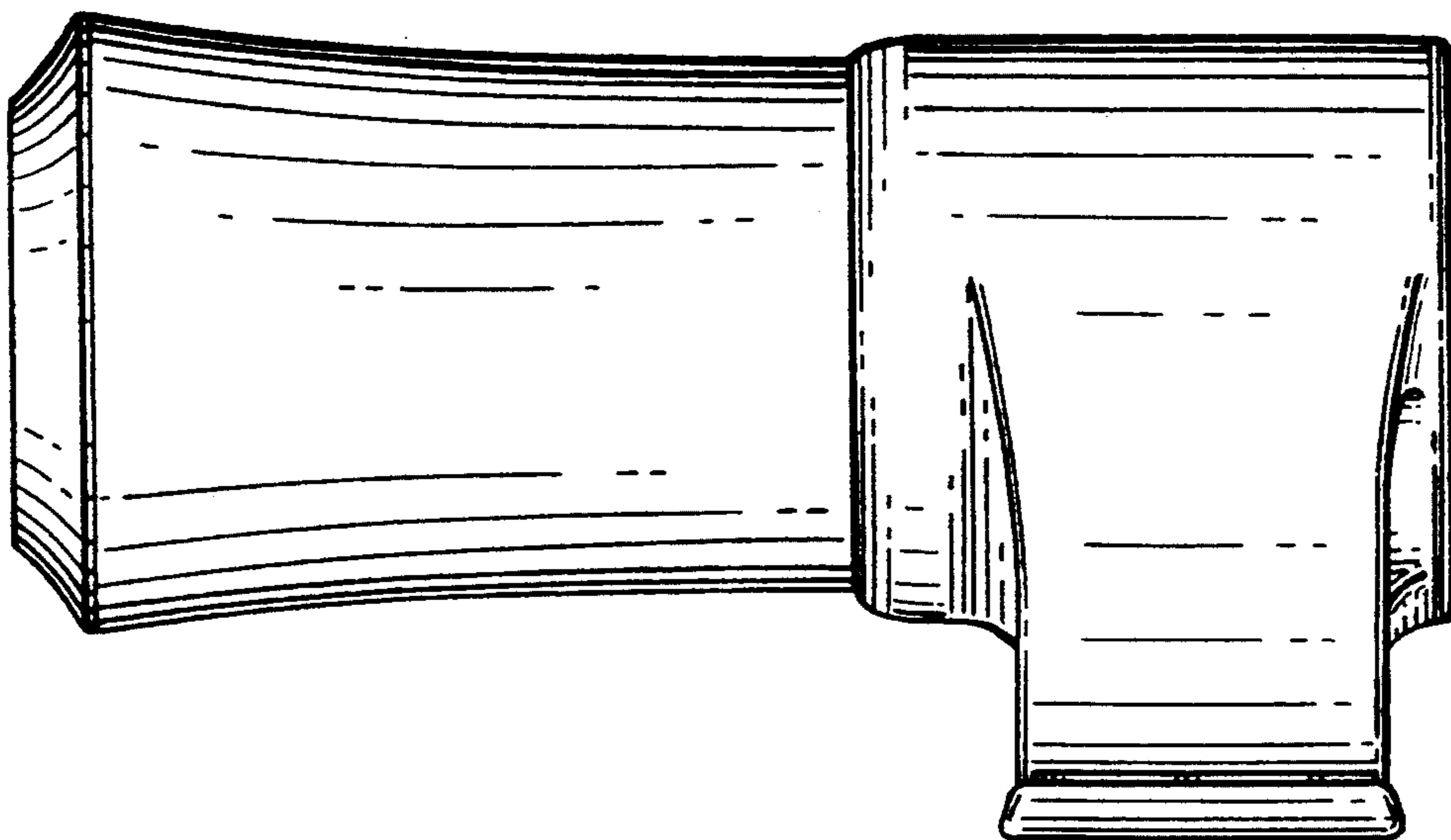


FIG. 6

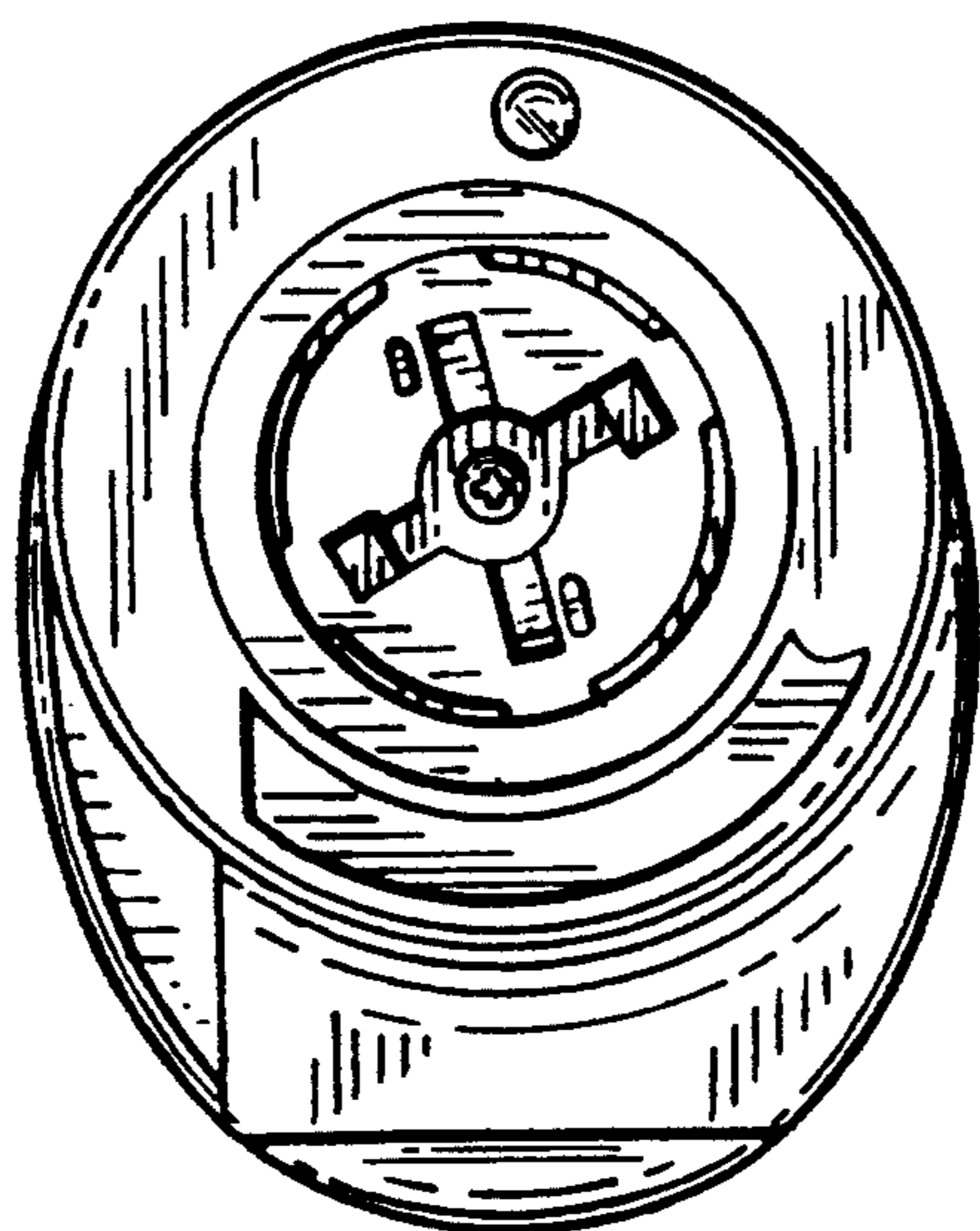


FIG. 9

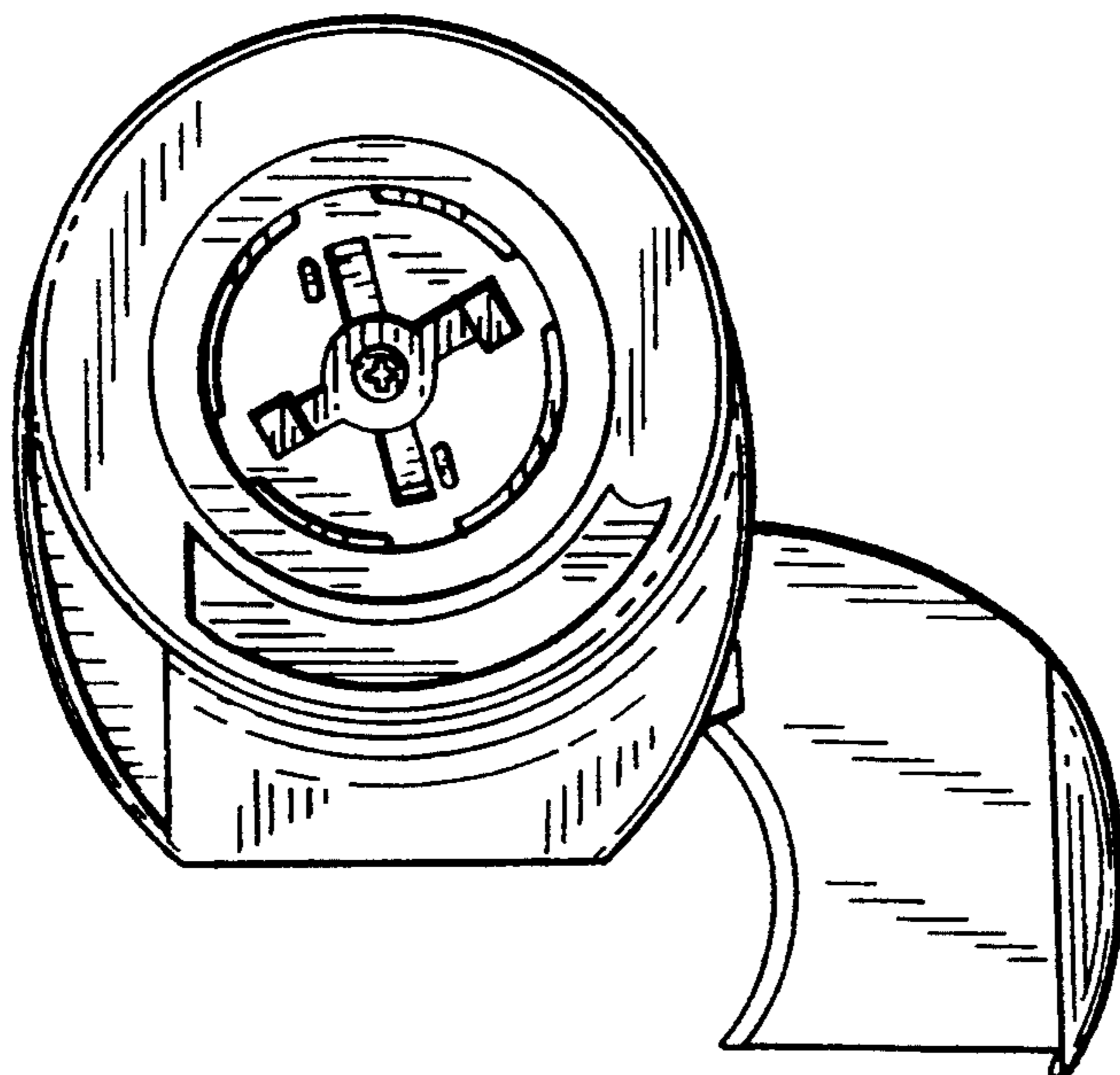


FIG. 8