



US00D352421S

United States Patent [19]
Newnan

[11] **Patent Number: Des. 352,421**
[45] **Date of Patent: ** Nov. 15, 1994**

[54] **THREE STEP COFFEE DECANter
WARMER**

[75] **Inventor: Brian D. Newnan, Louisville, Ky.**

[73] **Assignee: Grindmaster Corporation, Louisville,
Ky.**

[**] **Term: 14 Years**

[21] **Appl. No.: 925,609**

[22] **Filed: Aug. 5, 1992**

[52] **U.S. Cl. D7/364**

[58] **Field of Search D7/362-367;
219/367, 370, 447, 448; 126/40, 39 R, 39 B, 39
BA, 39 E, 39 H**

[56] **References Cited**

U.S. PATENT DOCUMENTS

- D. 205,820 9/1966 Ryan D7/364
- D. 246,245 11/1977 Gill et al. D7/364
- D. 256,978 9/1980 Dogliotti D7/367
- D. 259,168 5/1981 Petri D7/367

- D. 276,785 12/1984 Cleland D7/399
- 4,145,603 3/1979 Mackay et al. 219/432
- 4,715,269 12/1987 Stoner 219/432
- 5,226,406 7/1993 Reynolds 126/39 R

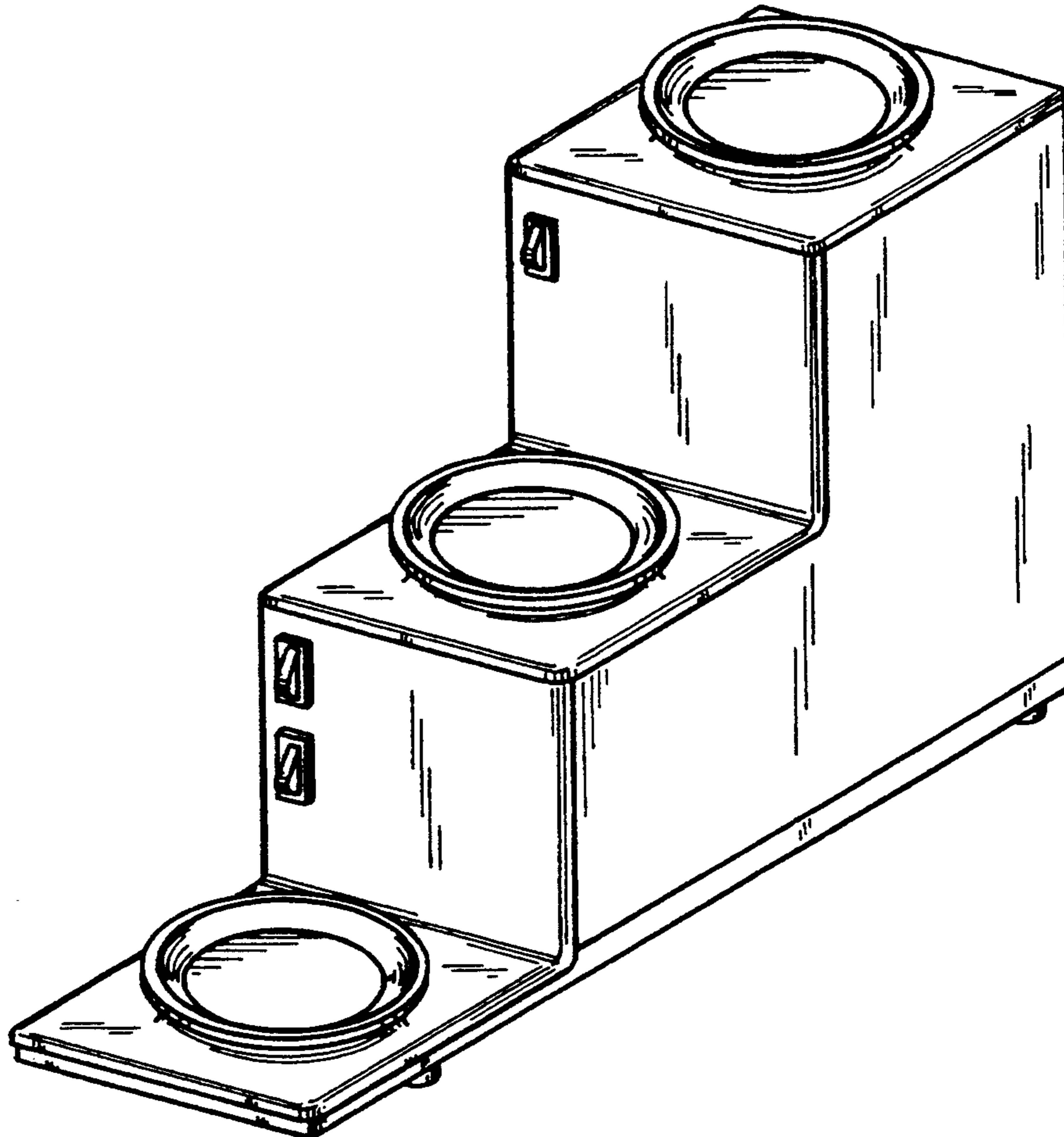
Primary Examiner—Ruth McInroy
Attorney, Agent, or Firm—Camoriano & Smith

[57] **CLAIM**

The ornamental design for a three step coffee decanter warmer, as shown and described.

DESCRIPTION

FIG. 1 is a perspective view of a three step coffee decanter warmer showing my new design; FIG. 2 is a front elevational view thereof; FIG. 3 is a left side elevational view thereof; FIG. 4 is a right side elevational view thereof; FIG. 5 is a rear elevational view thereof; FIG. 6 is a top plan view thereof; and, FIG. 7 is a bottom plan view thereof. The electric cord shown broken away in FIGS. 3-7 is understood to represent indeterminate length.



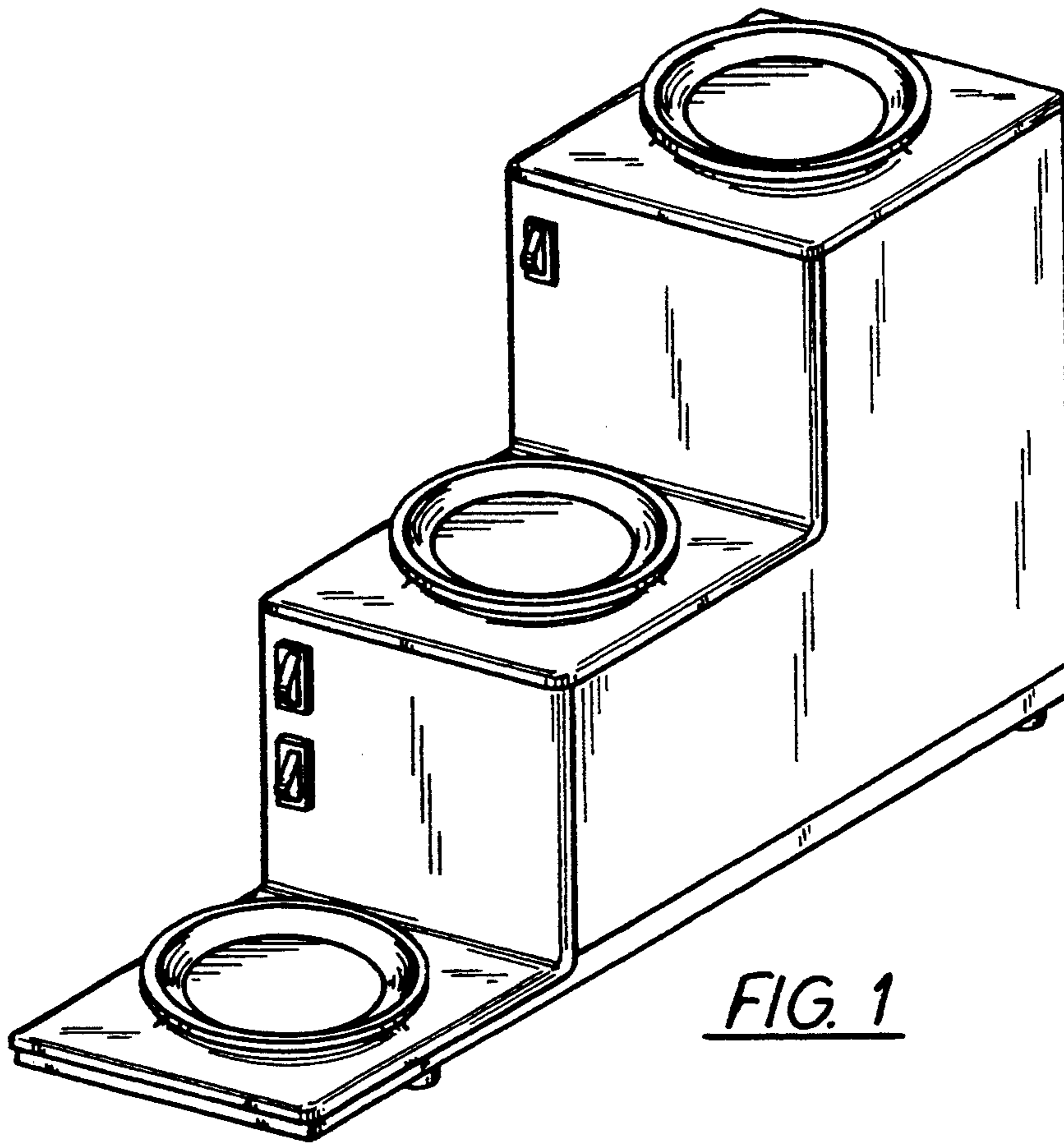


FIG. 1

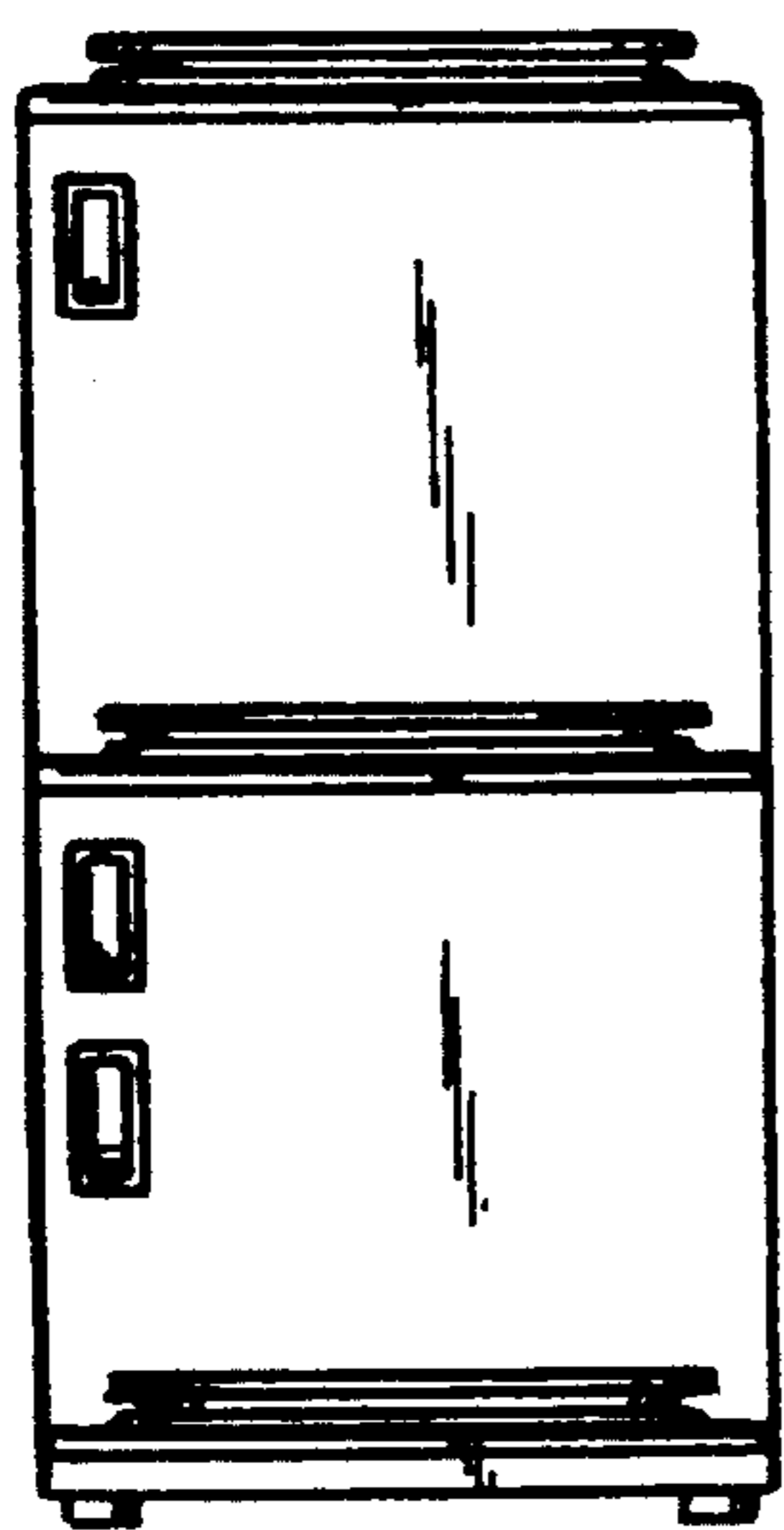


FIG. 2

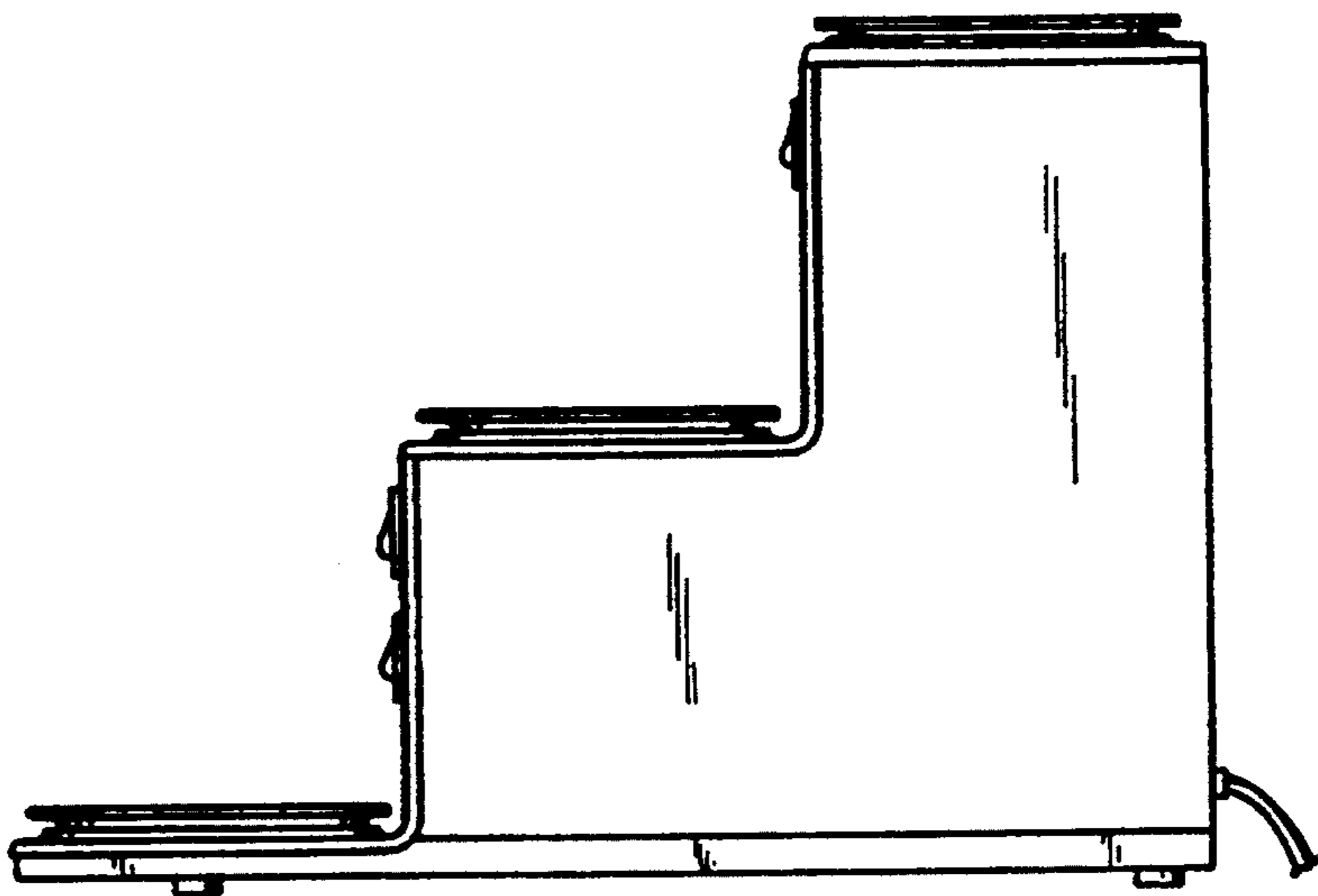


FIG. 3

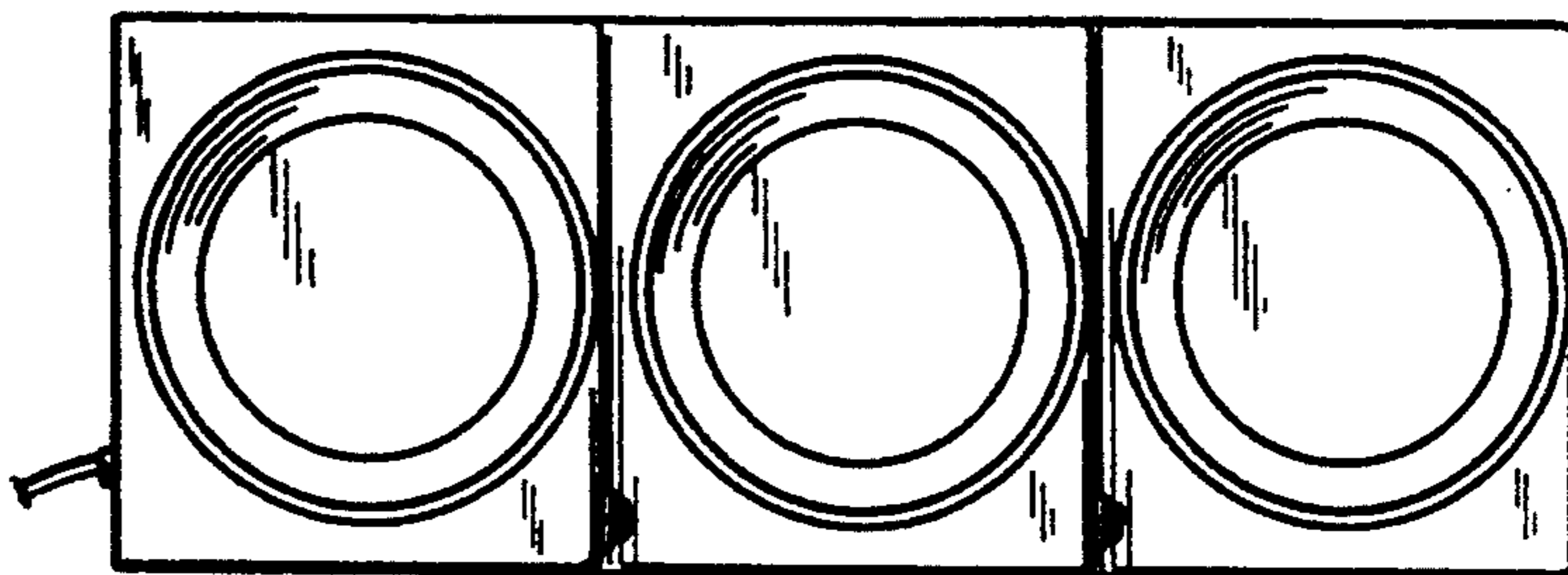


FIG. 6

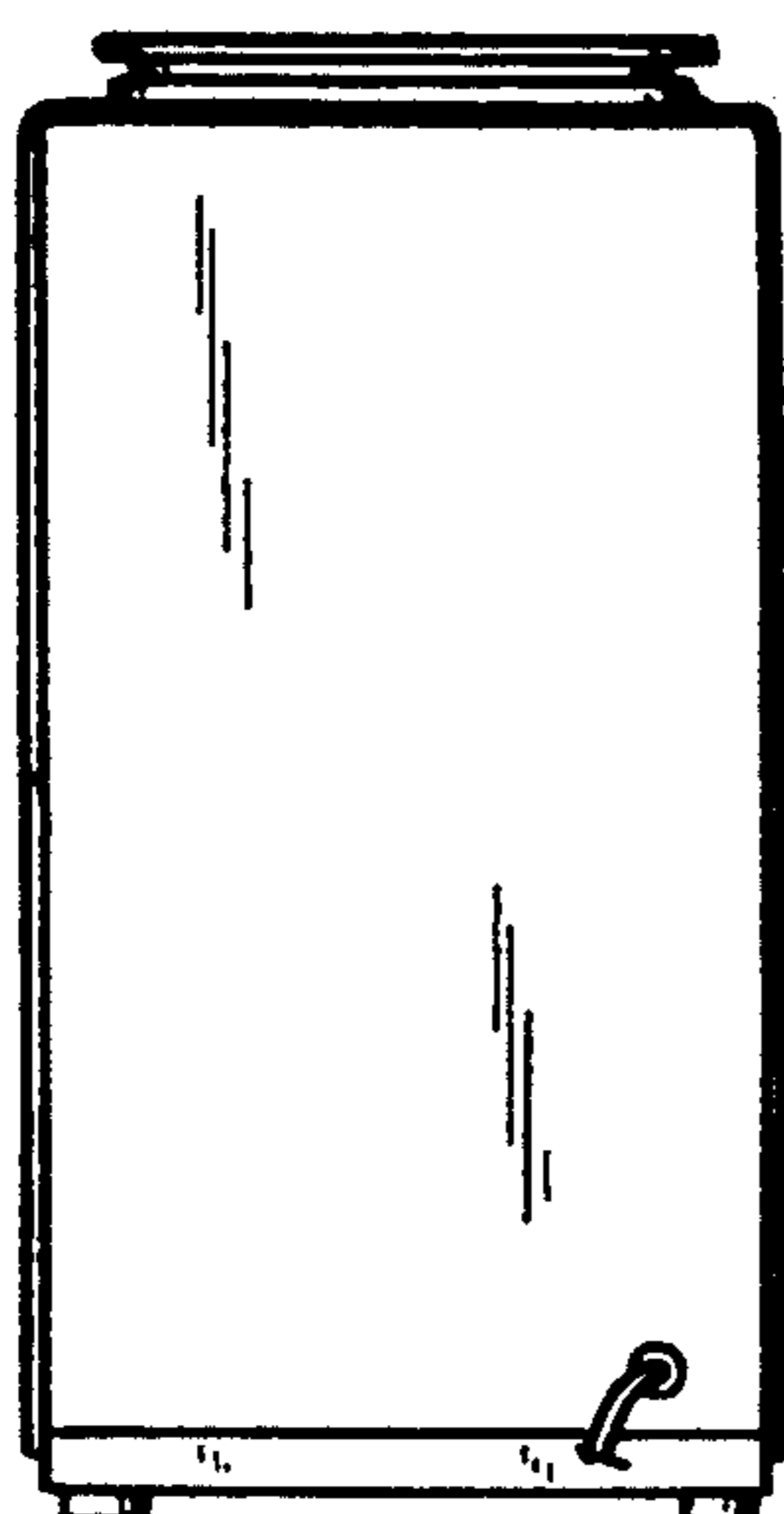


FIG. 5

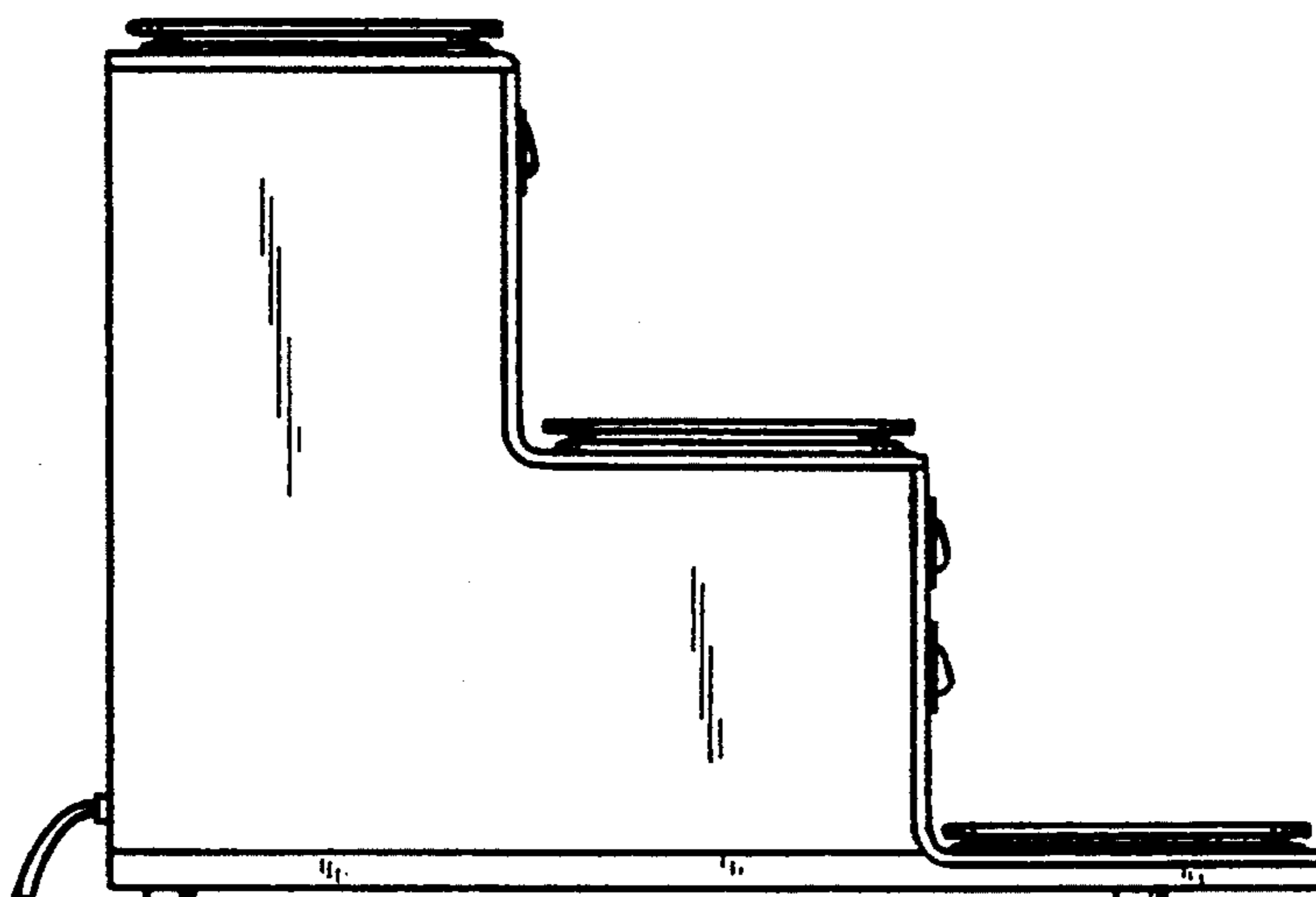


FIG. 4

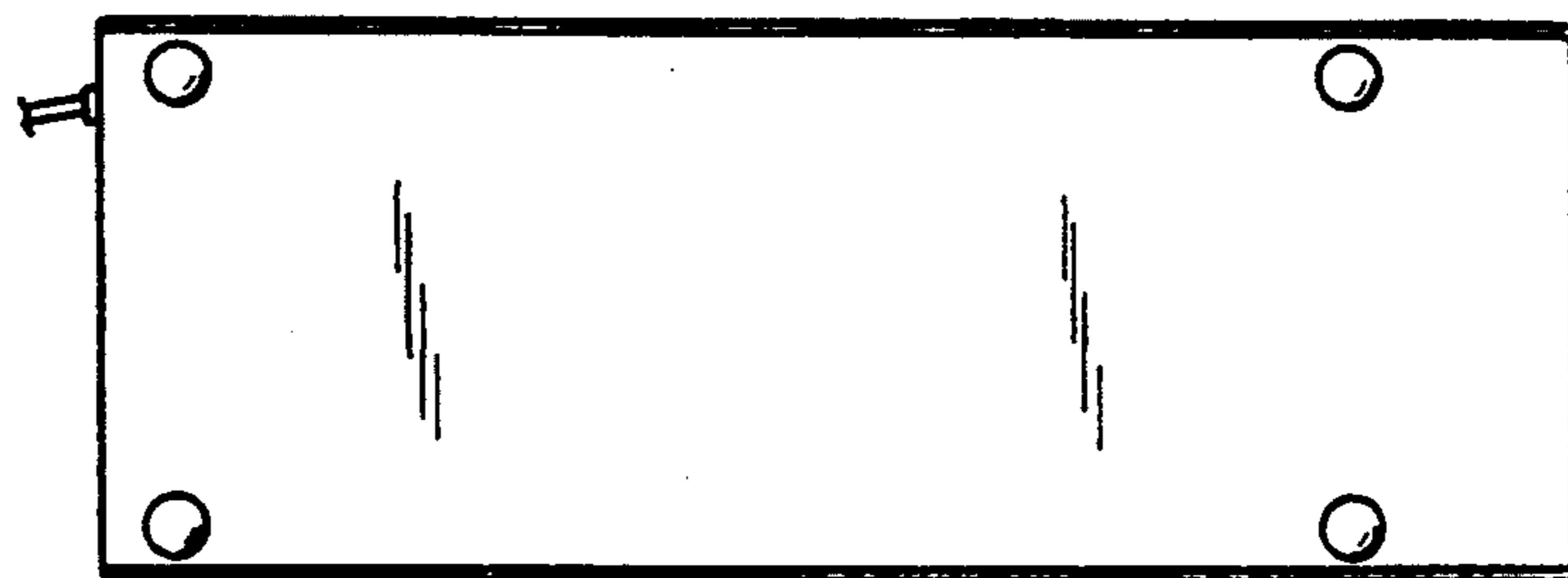


FIG. 7