



US00D352419S

# United States Patent [19]

[11] Patent Number: **Des. 352,419**

Lin

[45] Date of Patent: **\*\* Nov. 15, 1994**

[54] **TEAKETTLE**

D. 308,315 6/1990 Ancona et al. .... D7/312 X  
D. 336,006 6/1993 Lebowitz ..... D7/322

[75] Inventor: **I-Chen Lin**, Taipei Hsien, Taiwan,  
Province of China

[73] Assignee: **Oxford Design & Mechanics Inc.**,  
Taiwan, Province of China

[\*\*] Term: **14 Years**

[21] Appl. No.: **6,239**

[22] Filed: **Mar. 23, 1993**

[52] U.S. Cl. .... **D7/322; D7/321**

[58] Field of Search ..... **D7/300, 301, 302, 303,**  
**D7/316, 317, 318, 319, 321, 322, 312, 313, 598,**  
**599, 600, 320; 222/465.1, 475, 475.1**

[56] **References Cited**

**U.S. PATENT DOCUMENTS**

D. 52,950	2/1919	Goebel .....	D7/321
D. 88,228	11/1932	Guild et al. ....	D7/321
D. 95,621	5/1935	Zettler .....	D7/321
D. 148,348	1/1948	Brannon .....	D7/321
D. 163,725	6/1951	Welden .....	D7/322
D. 191,005	8/1961	Jepson .....	D7/322
D. 192,016	1/1962	Croheim .....	D7/322
D. 308,314	6/1990	Ancona et al. ....	D7/322

**OTHER PUBLICATIONS**

King Teakettle, Premium Practice Jan. 1937 p. 16.  
Tea Kettle (bottom right), House Furnishing Review,  
Sep. 1940, p. 60.  
Copco Tea Pot, HFD Jan. 16, 1989, p. 110.

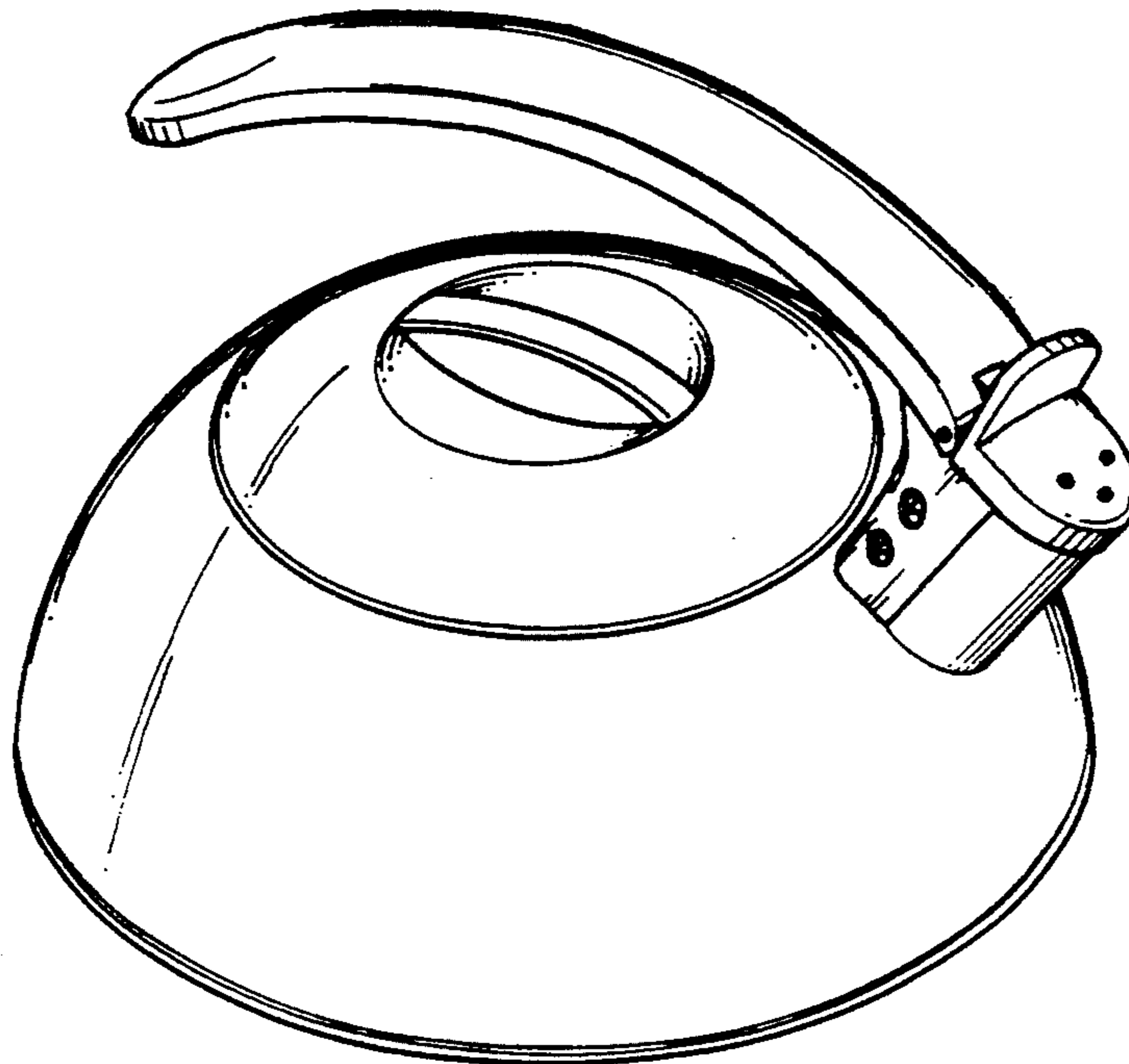
*Primary Examiner*—Alan P. Douglas  
*Assistant Examiner*—M. N. Pandozzi

[57] **CLAIM**

The ornamental design for a teakettle, as shown and described.

**DESCRIPTION**

FIG. 1 is a top, front and left perspective view of a teakettle showing my new design;  
FIG. 2 is a front elevational view thereof;  
FIG. 3 is a rear elevational view thereof;  
FIG. 4 is a right side elevational view thereof;  
FIG. 5 is a left side elevational view thereof;  
FIG. 6 is a top plan view thereof; and,  
FIG. 7 is a bottom plan view thereof.



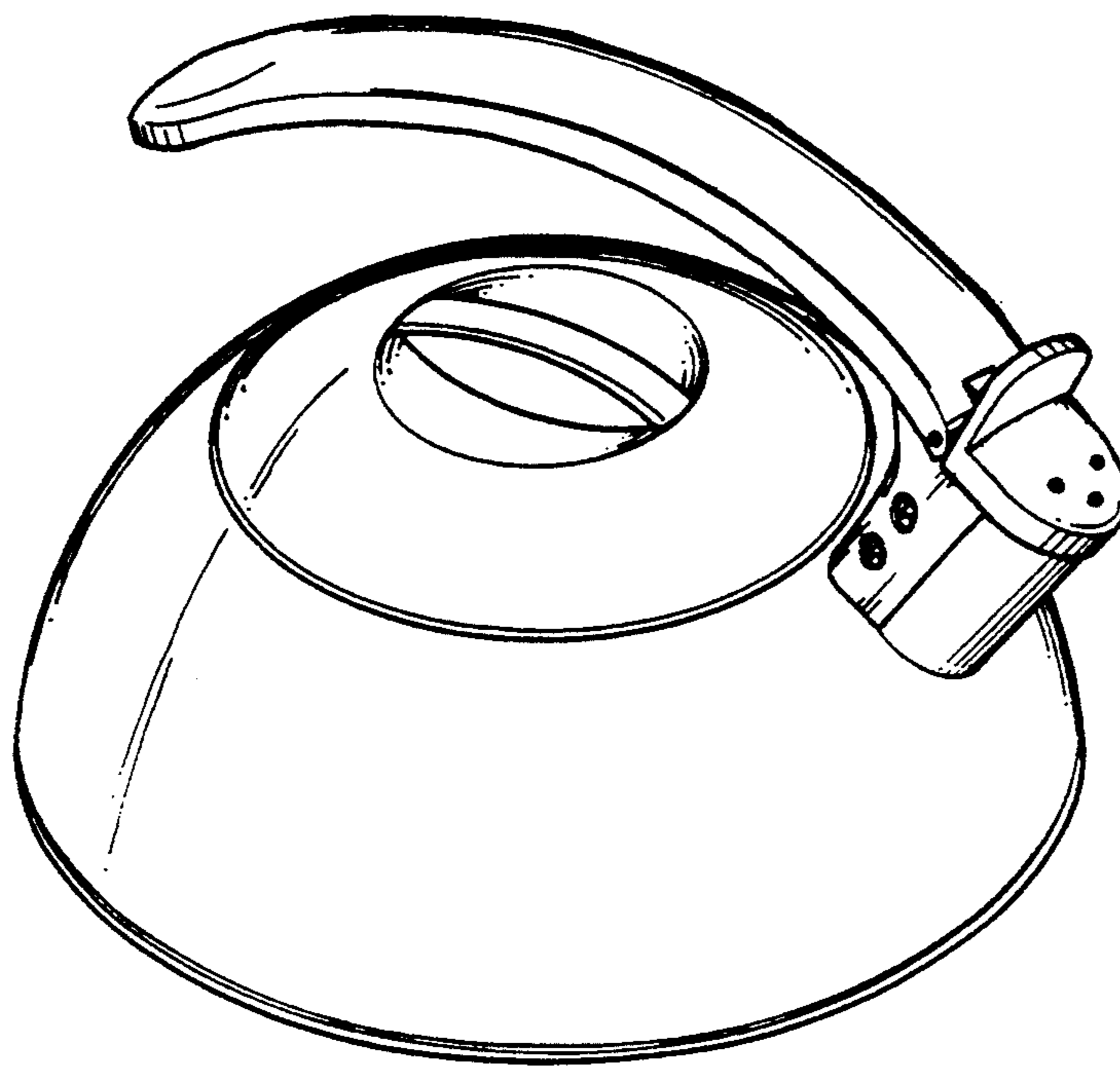


FIG. 1

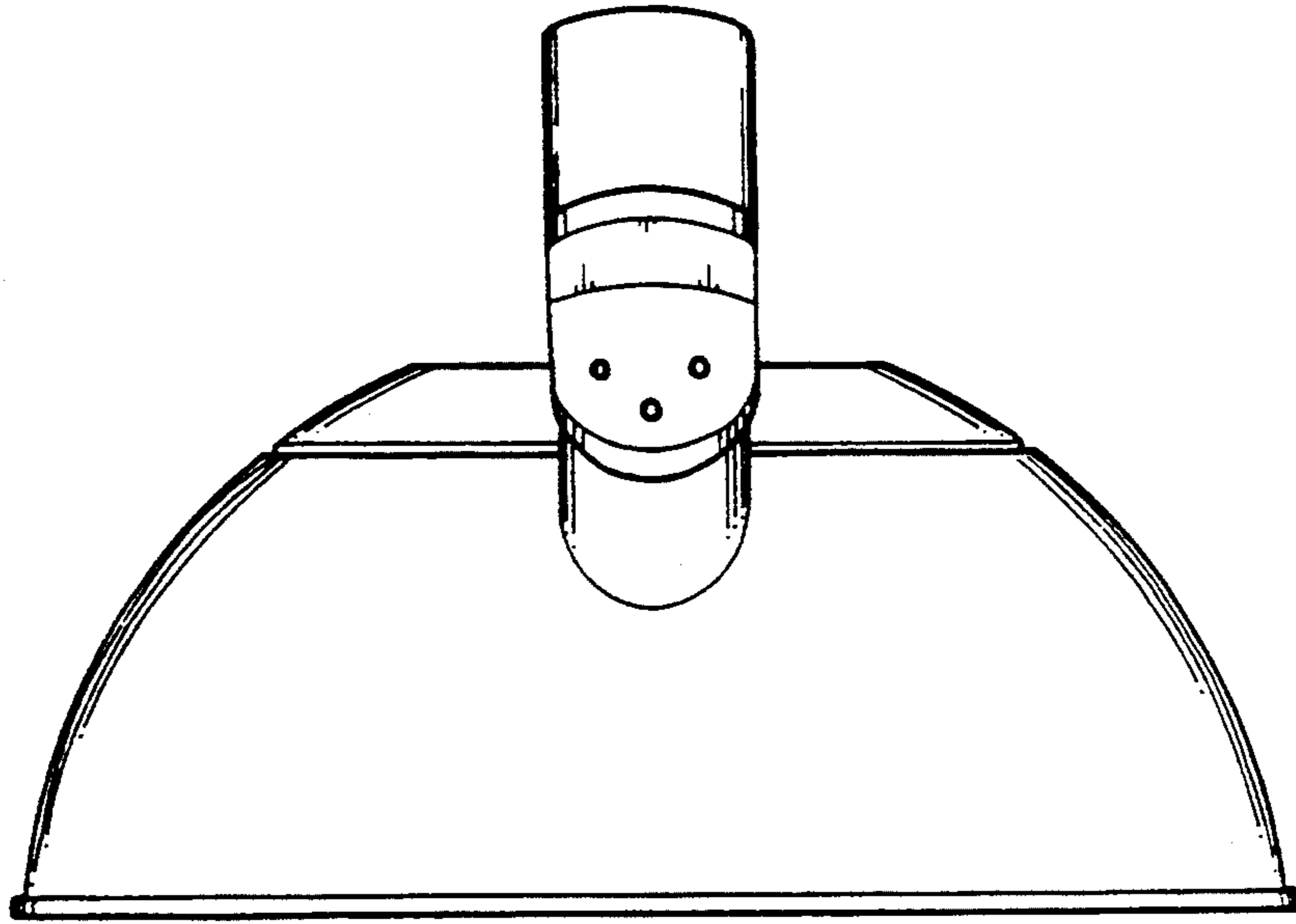


FIG. 2

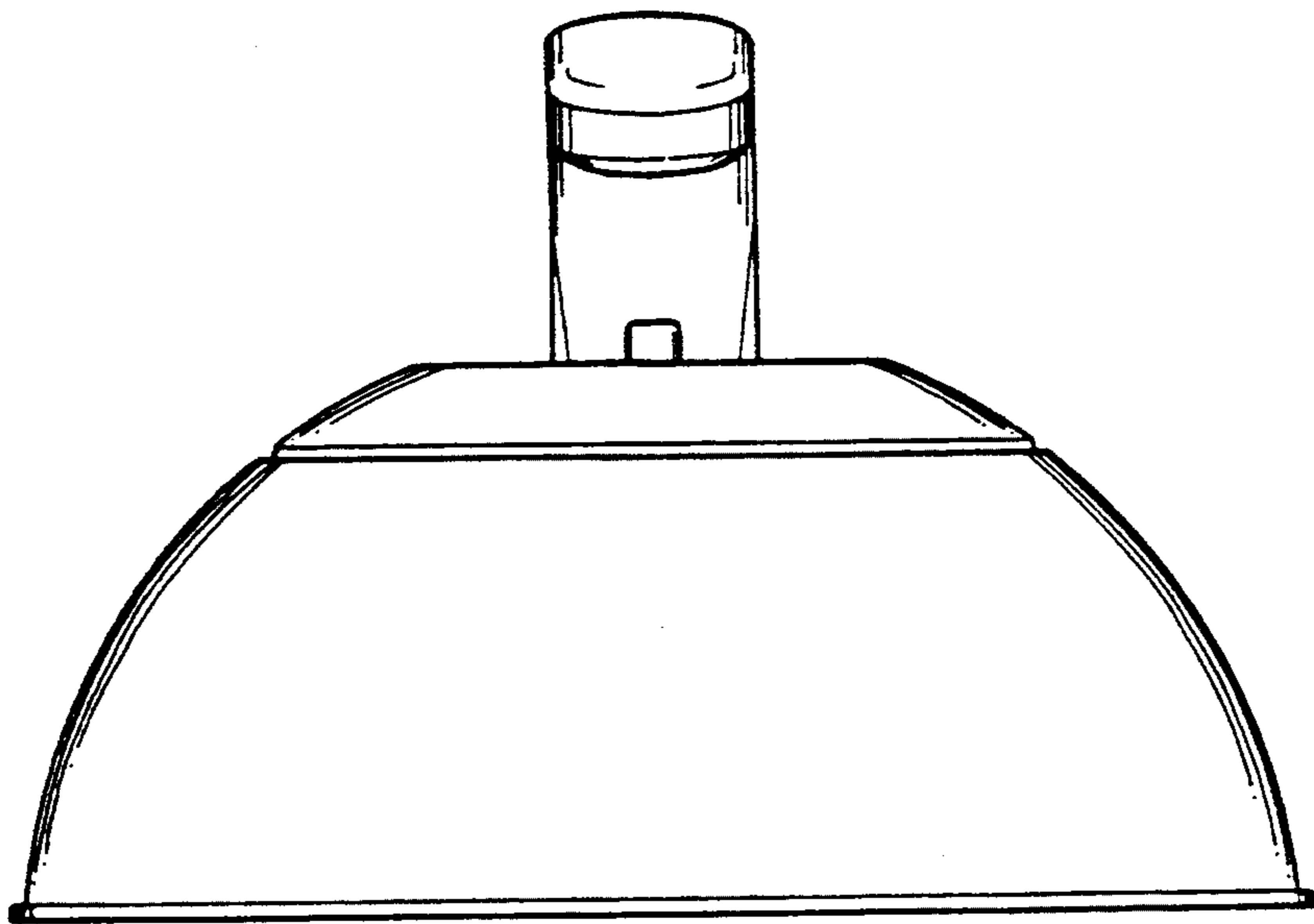


FIG. 3

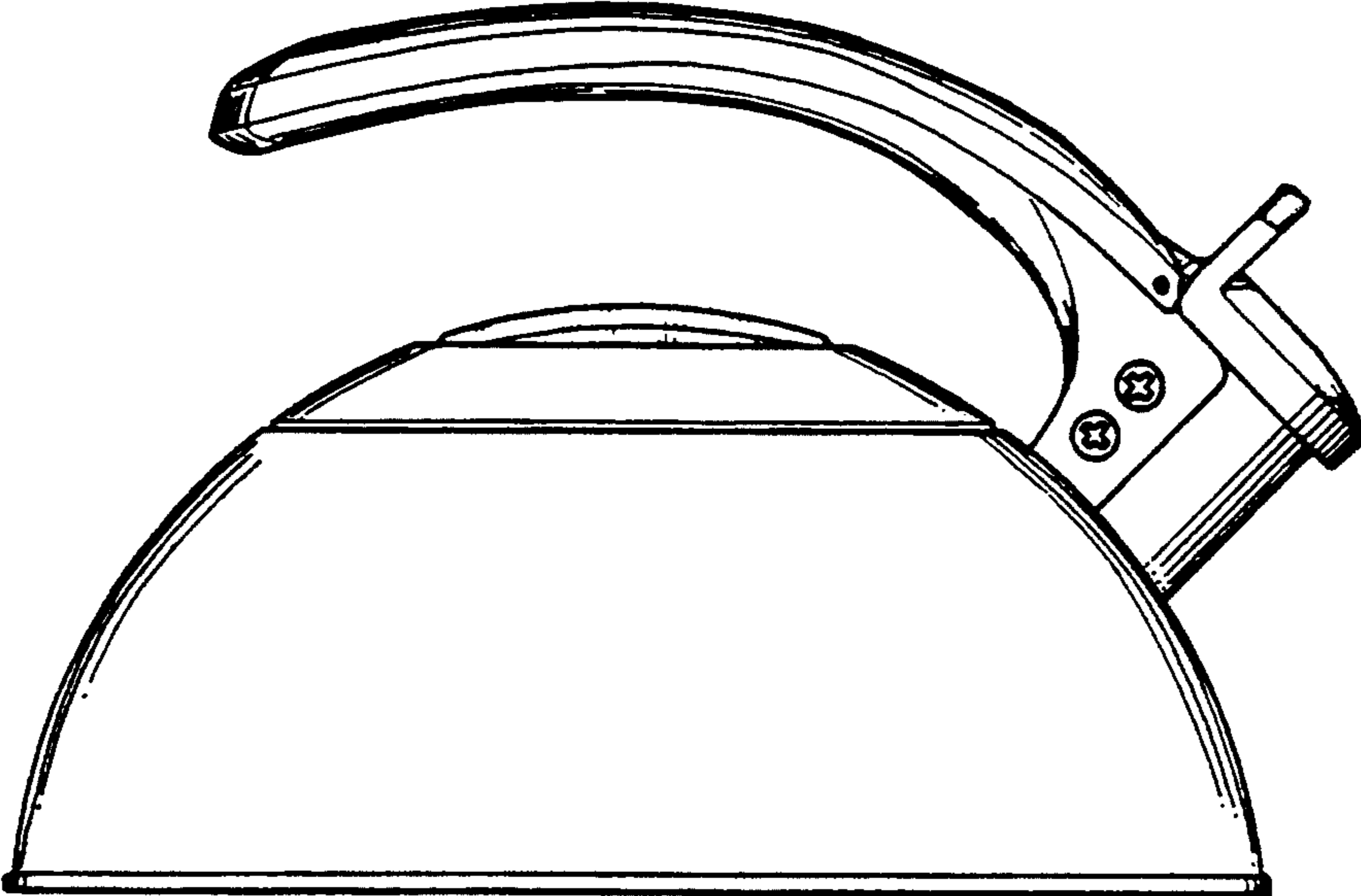


FIG. 5

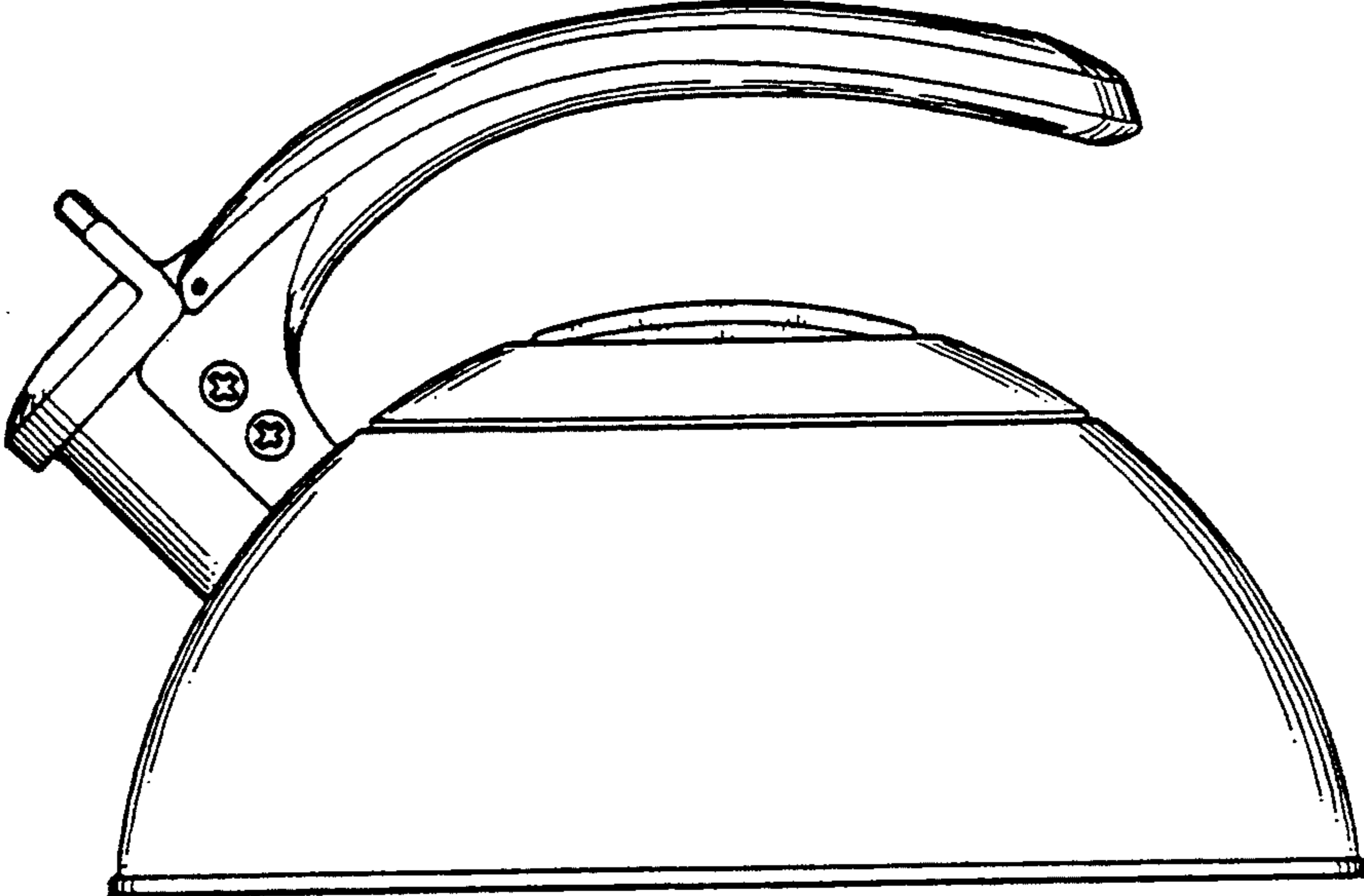


FIG. 4

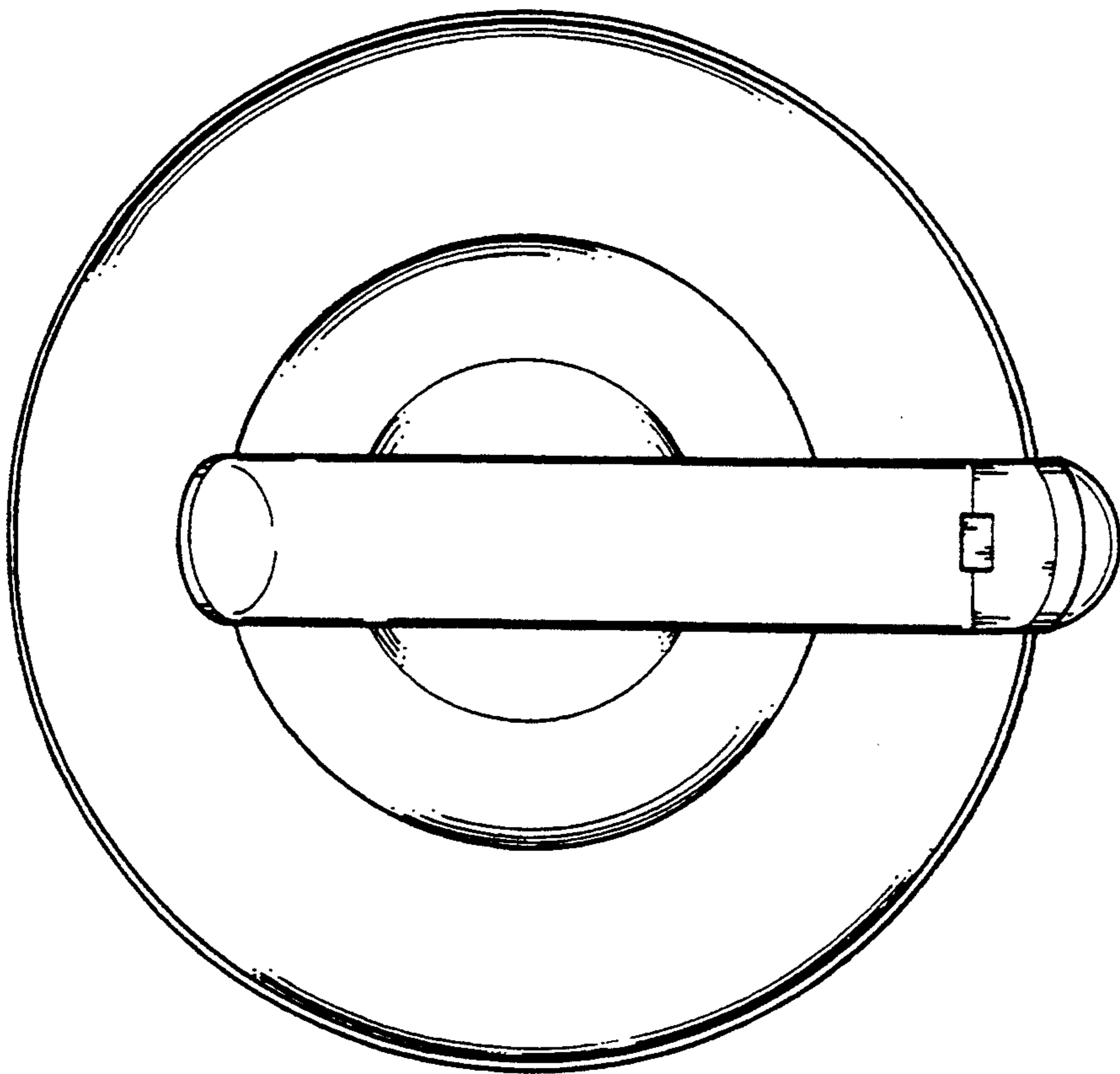


FIG. 6

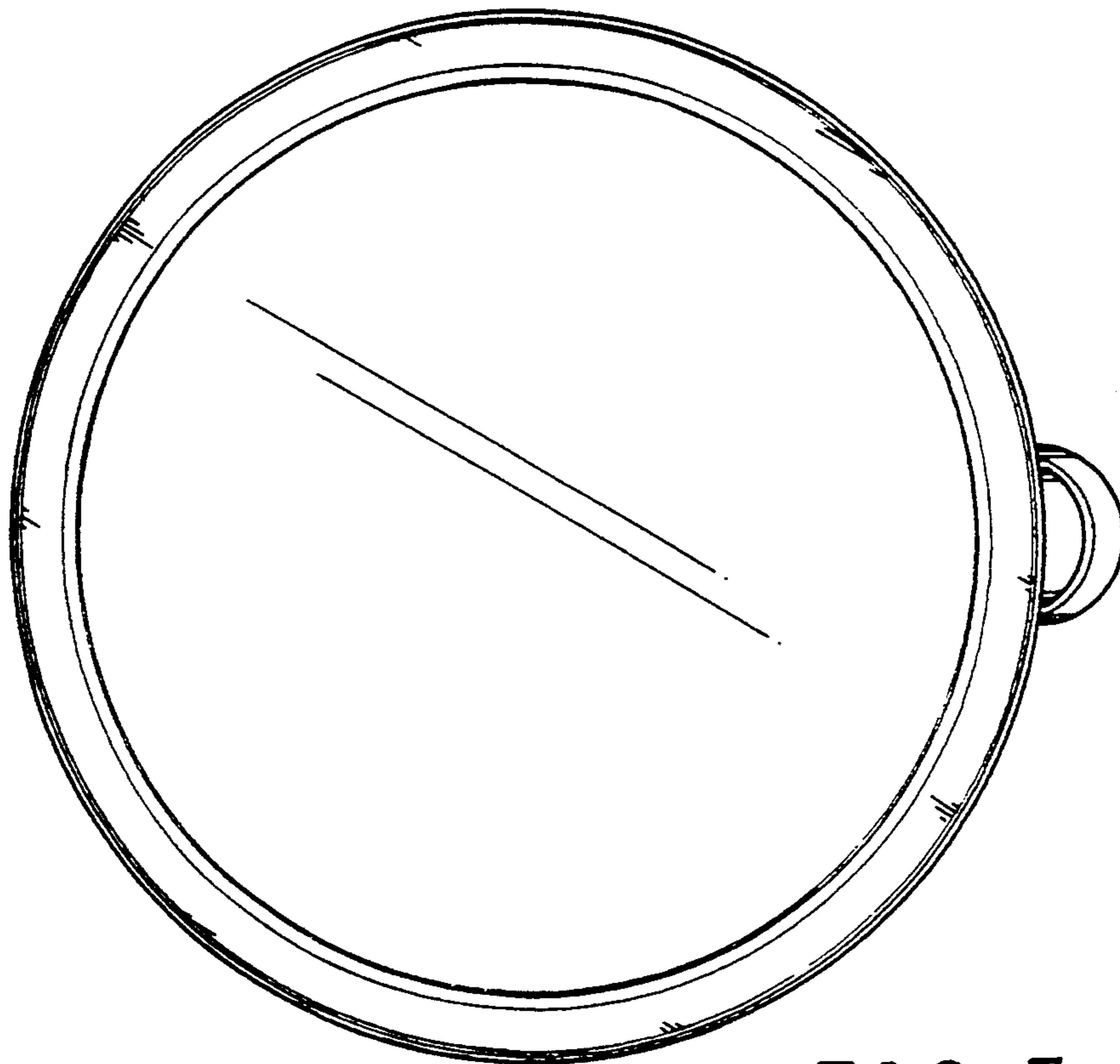


FIG. 7