



US00D352418S

United States Patent [19]

[11] Patent Number: **Des. 352,418**

Betts et al.

[45] Date of Patent: **** Nov. 15, 1994**

[54] **COFFEE BREWER**

[75] Inventors: **John Betts**, New York; **Irene Krone**, East Hampton, both of N.Y.

[73] Assignee: **Farberware, Inc.**, Bronx, N.Y.

[**] Term: **14 Years**

[21] Appl. No.: **369,547**

[22] Filed: **Jun. 20, 1989**

4,386,109	5/1983	Bowen et al.	426/241
4,417,116	11/1983	Black	219/10.55 A
4,527,467	7/1985	Siemensma	99/279
4,577,080	3/1986	Grossman	219/10.55 E
4,642,443	2/1987	Jorgensen, et al.	219/10.55 E
4,739,696	4/1988	Sheen	99/306 X
4,793,246	12/1988	Barradas	99/304 X

FOREIGN PATENT DOCUMENTS

506346	10/1951	Belgium	.
926087	4/1955	Germany	.
7807403	of 0000	Netherlands	.

Related U.S. Application Data

[63] Continuation-in-part of Ser. No. 298,584, Jan. 17, 1989.

[52] U.S. Cl. **D7/310; D7/300**

[58] Field of Search **D7/300, 305, 401, 397, D7/399, 356, 310, 309, 312, 316-319; 99/304, 306, 316; 220/94 A**

OTHER PUBLICATIONS

Flint-Ware Stainless Steel, ©1956, Ekco Products Co. Item #7618 8 Cup Drip Coffee Maker, 4th row down, middle.

Form, Jan. 1986, p. 44, top right, "Teeautomat von Krups" Tea-Time.

Primary Examiner—Donald P. Walsh

Assistant Examiner—Caron D. Veynar

Attorney, Agent, or Firm—Seidel, Gonda, Lavorgna & Monaco

[56] **References Cited**

U.S. PATENT DOCUMENTS

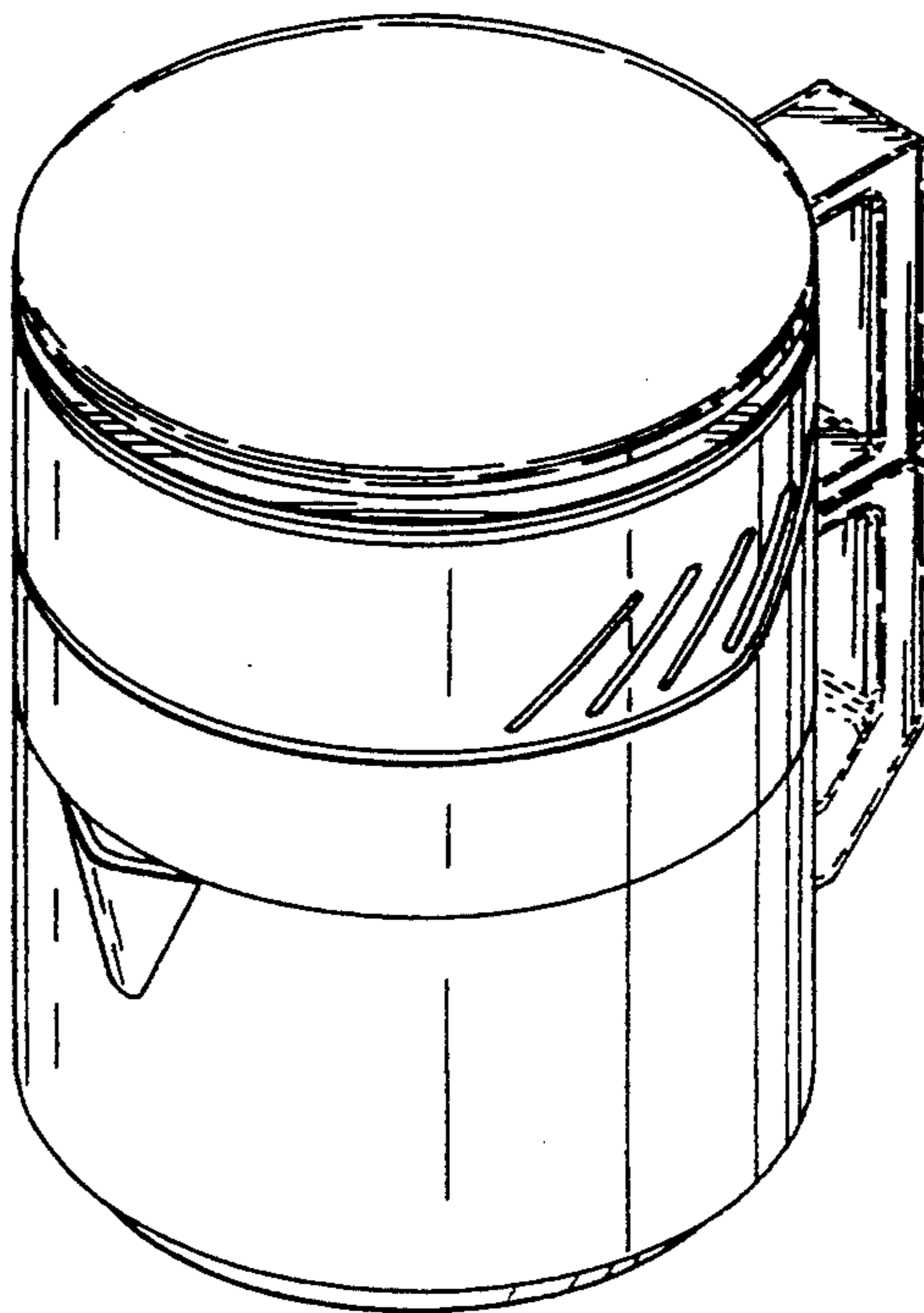
D. 86,671	4/1932	Guild	D7/310
D. 103,691	3/1937	Rideout	D7/310
D. 290,216	6/1987	Precht	D7/309
1,962,493	6/1934	Ferris	99/316 X
2,365,269	12/1944	Hill	99/305
2,403,404	7/1946	Scott	99/302
3,736,155	5/1973	Martin	99/282
3,793,934	2/1974	Martin	99/282
3,859,902	1/1975	Neumann et al.	99/304
4,104,957	8/1978	Freedman, et al.	99/283
4,132,239	1/1979	Bowen et al.	137/382
4,147,097	4/1979	Gregg	99/283
4,200,039	4/1980	Anderl	99/302
4,381,696	5/1983	Koral	99/304

[57] **CLAIM**

The ornamental design of a coffee brewer, as shown.

DESCRIPTION

FIG. 1 is a top, front, right side perspective view of a coffee brewer showing our new design; FIG. 2 is a left side elevation thereof; FIG. 3 is a front elevation thereof; FIG. 4 is a rear elevation thereof; FIG. 5 is a top plan view thereof; and, FIG. 6 is a bottom plan view thereof.



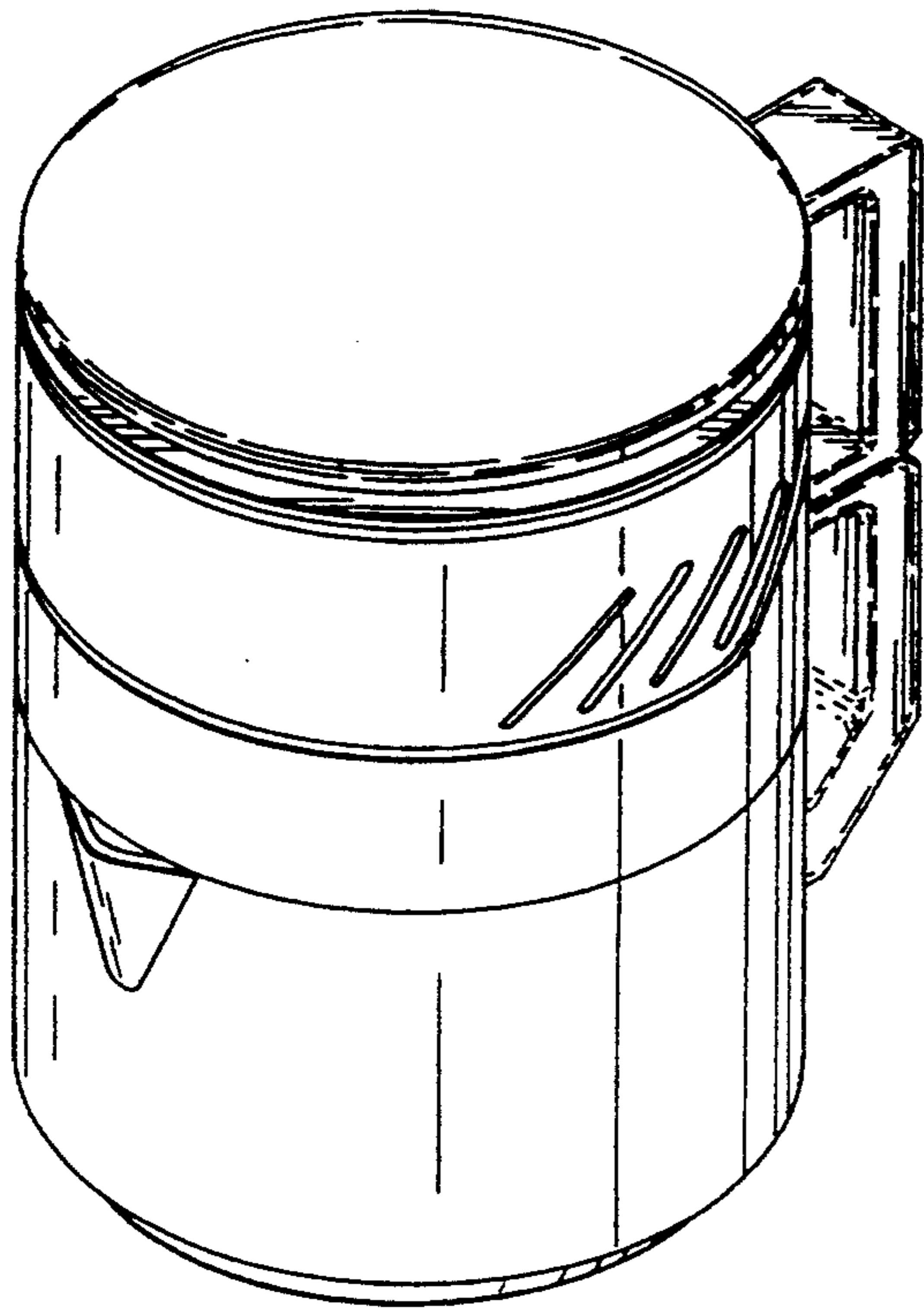


FIG. 1

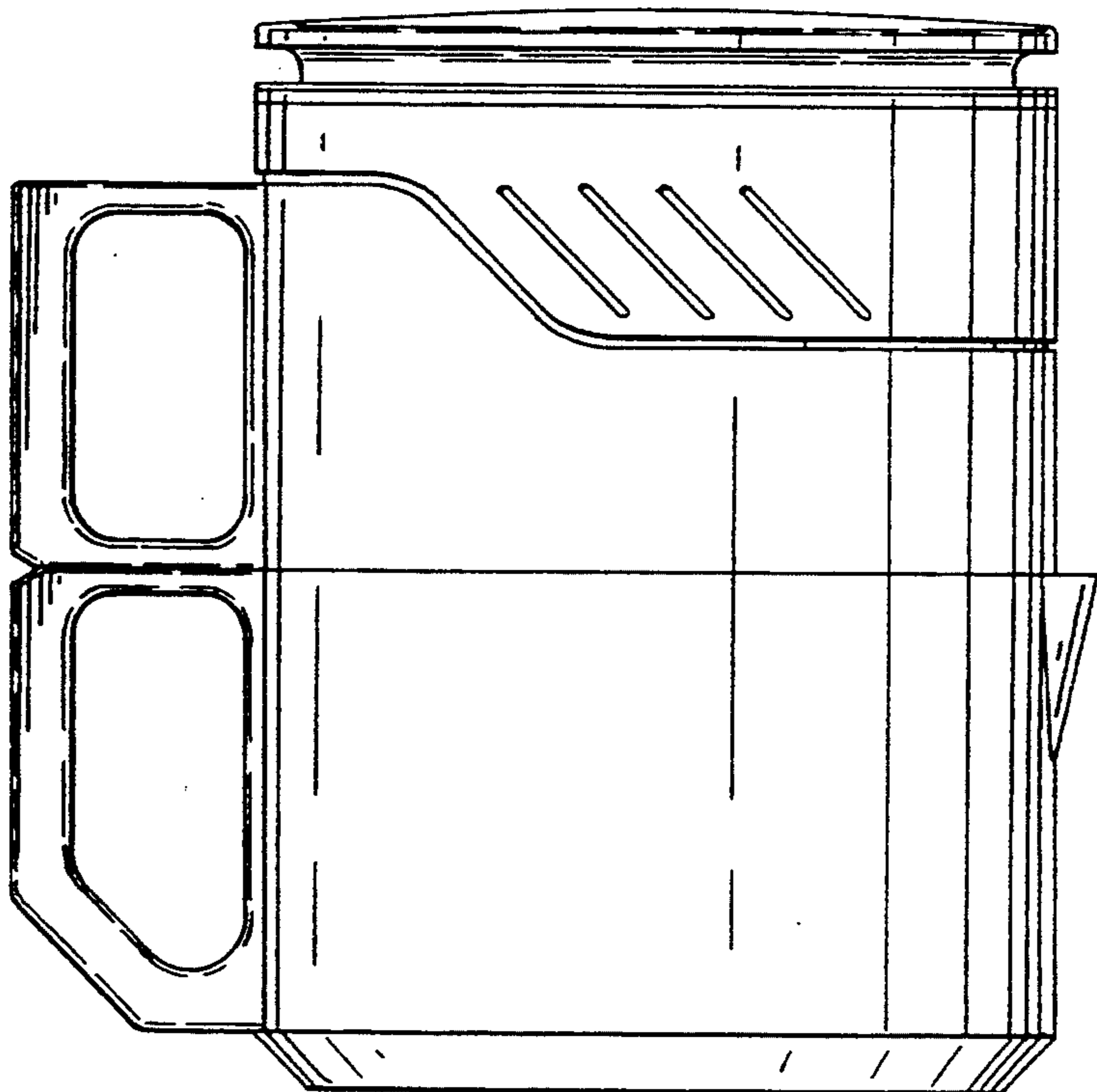


FIG. 2

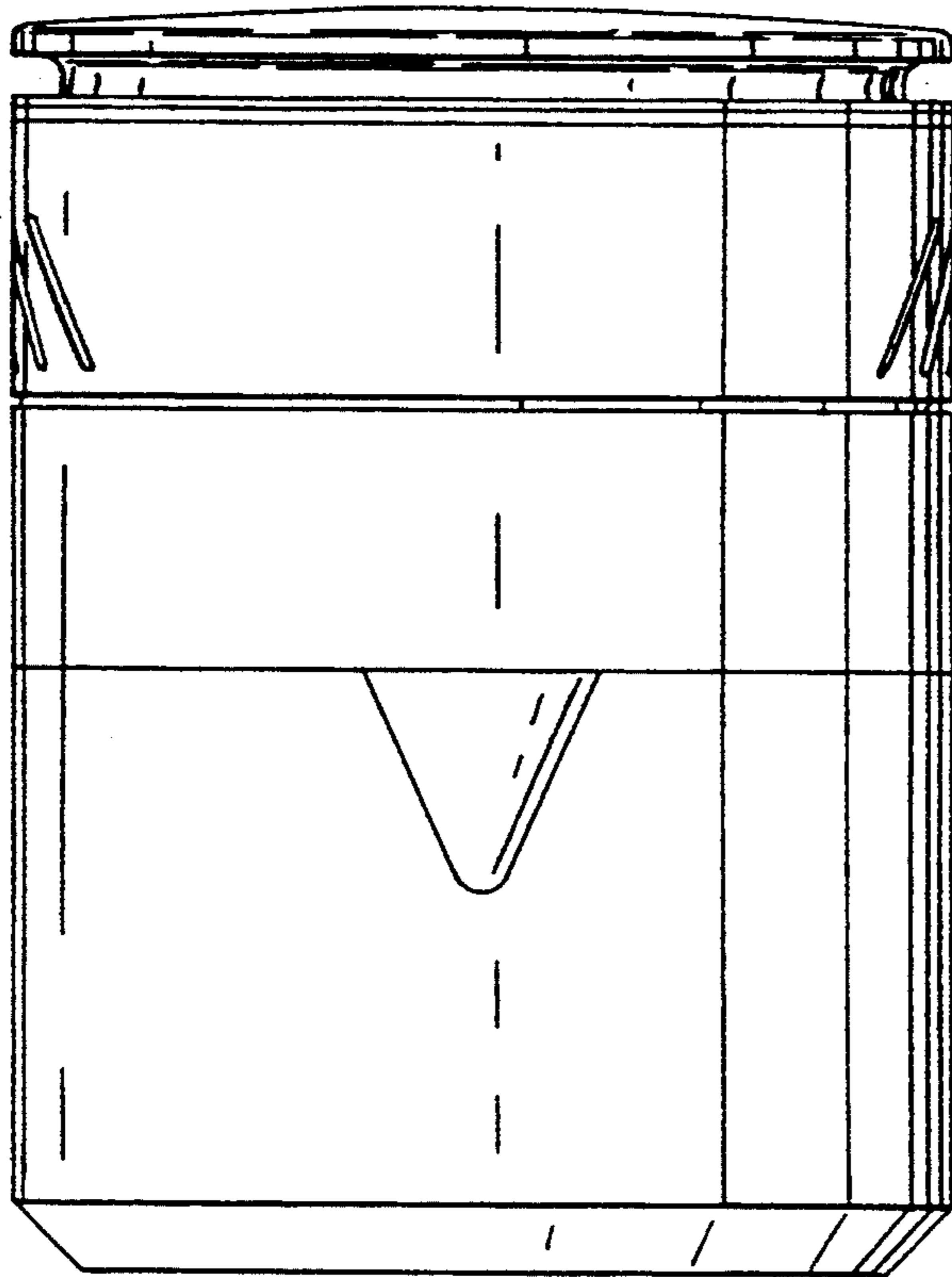


FIG. 3

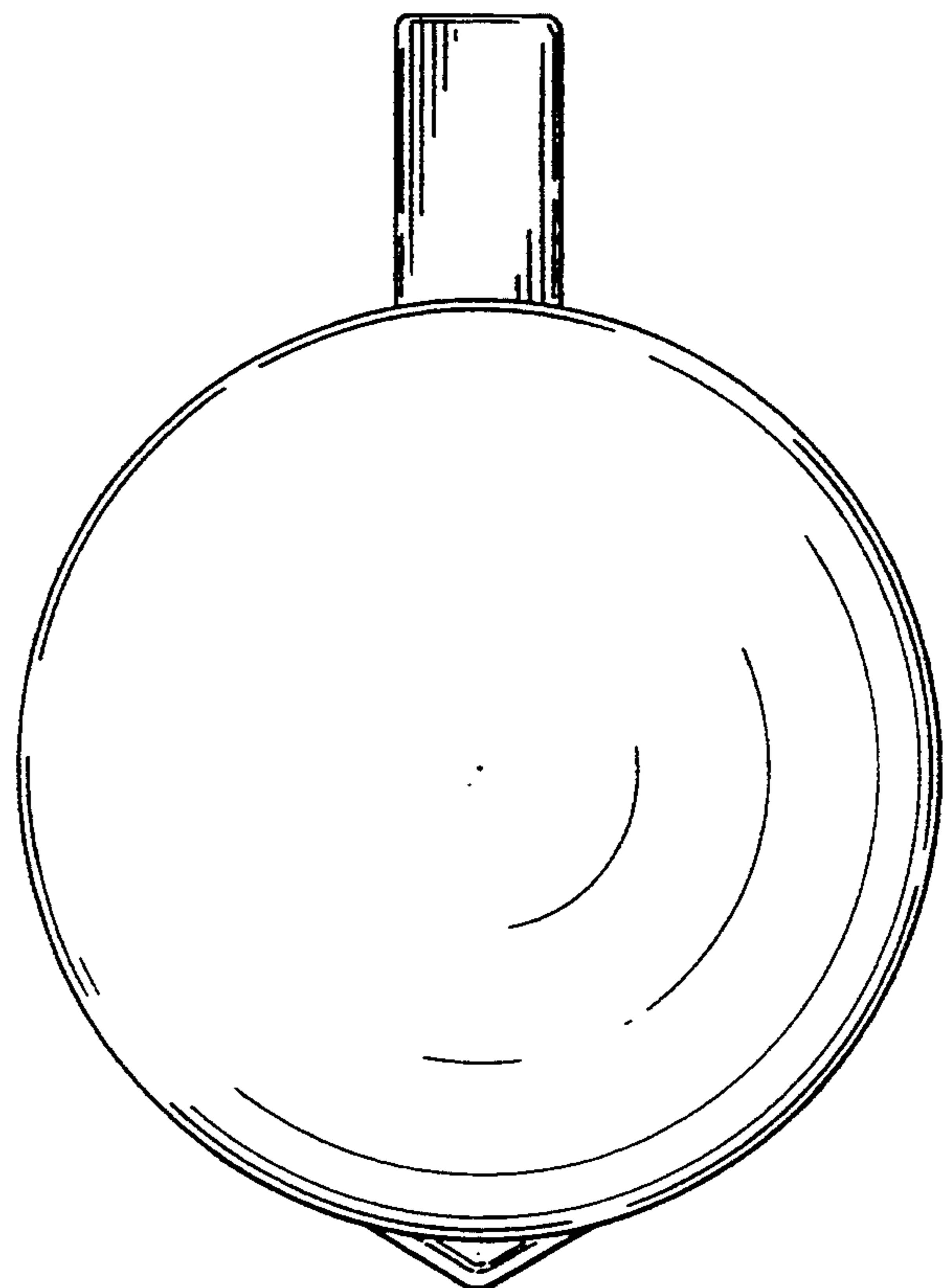


FIG. 5

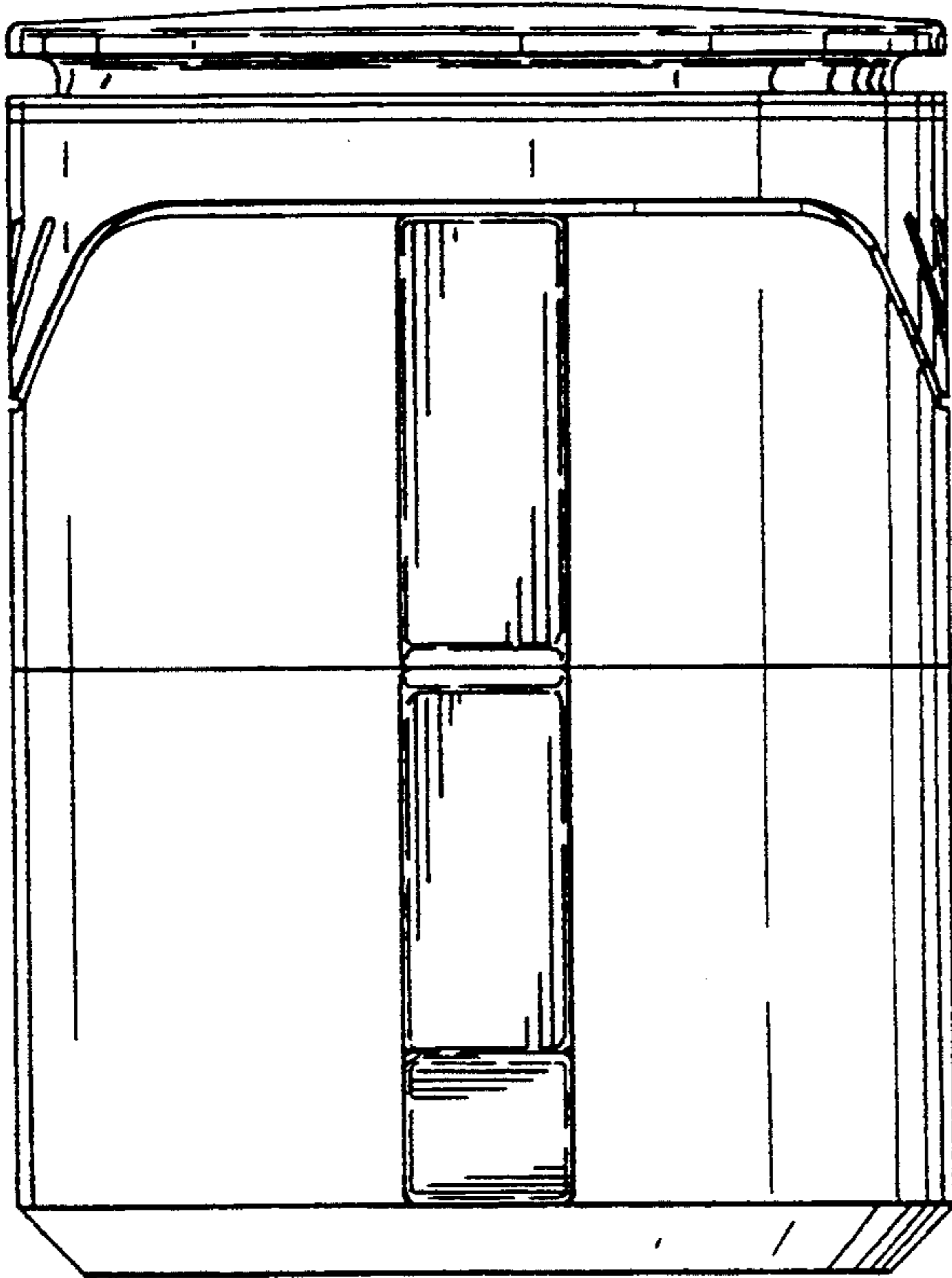


FIG. 4

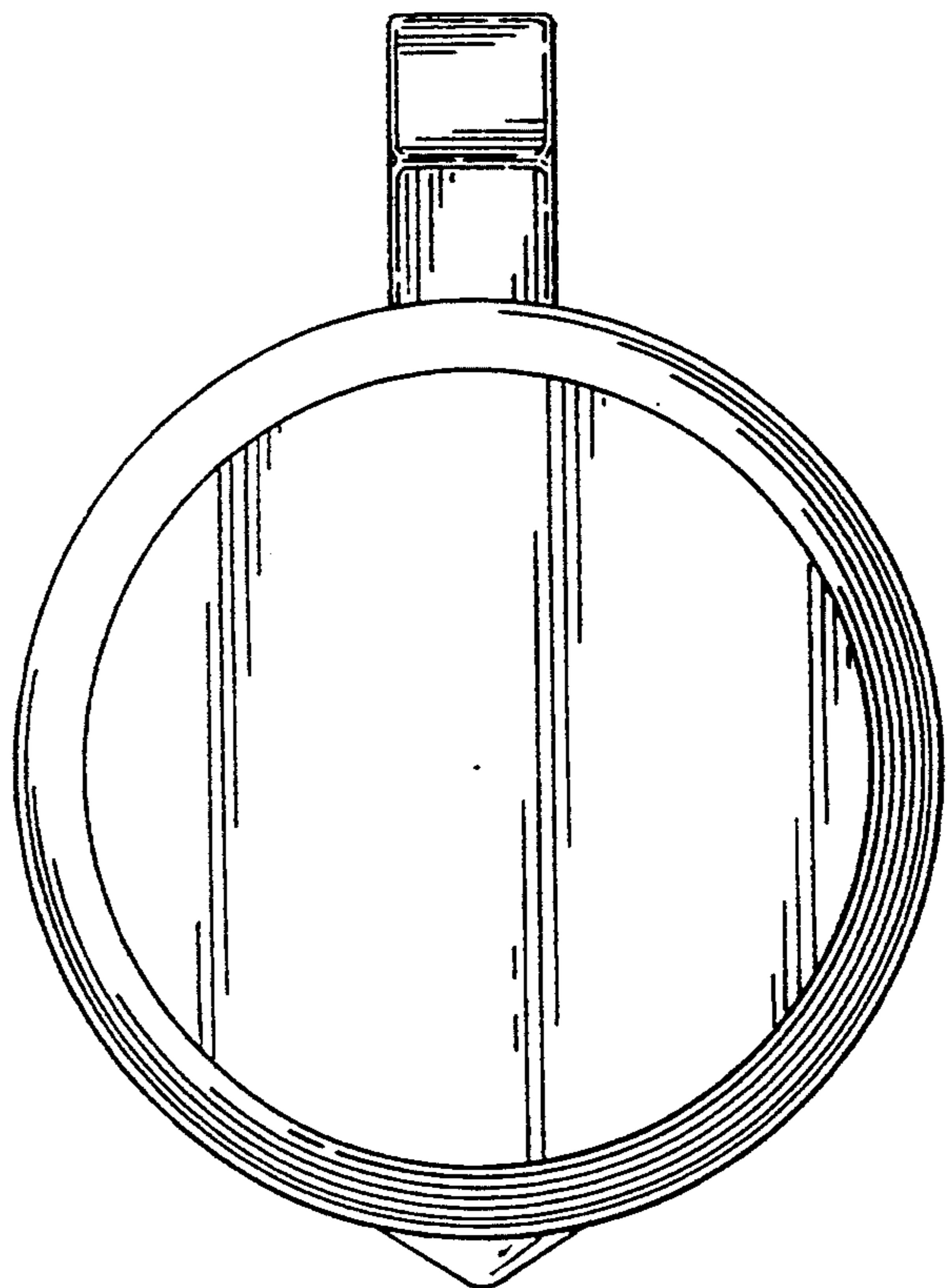


FIG. 6