



US00D352413S

# United States Patent [19]

[11] Patent Number: Des. 352,413

Ballard

[45] Date of Patent: \*\* Nov. 15, 1994

[54] TELESCOPING DISPLAY CARD HOLDER

[75] Inventor: Jacob R. Ballard, Lincolnton, N.C.

[73] Assignee: Vermont American Corporation, Louisville, Ky.

[\*\*] Term: 14 Years

[21] Appl. No.: 7,918

[22] Filed: May 4, 1993

[52] U.S. Cl. .... D6/566; D6/553

[58] Field of Search ..... D6/512, 553, 566-567, D6/569-572; D8/363, 373; 211/44, 60.1, 70.6, 86-87, 106, 59.1-59.4; 248/205.1, 302-304, 309.1, 309.2, 220.2

[56] **References Cited**

**U.S. PATENT DOCUMENTS**

D. 278,874	5/1985	Thorneburg et al. ....	D6/553 X
D. 313,916	1/1991	Ballard .....	D6/553 X
1,939,027	12/1933	Stewart .....	248/220.2 X
3,534,864	9/1968	Larson .	
3,638,801	2/1972	Larson .	
4,366,908	1/1983	Anderson .....	211/87
4,673,089	6/1987	Chap .	
4,674,721	6/1987	Thalenfeld .	
4,821,894	4/1989	Deschiro .	
5,088,606	2/1992	Boas .	

Primary Examiner—Brian N. Vinson  
Attorney, Agent, or Firm—Middleton & Reutlinger

[57] **CLAIM**

The ornamental design for a telescoping display card holder, as shown and described.

**DESCRIPTION**

FIG. 1 is a perspective view of a telescoping display card holder made in accordance with the present invention;

FIG. 2 is an elevational front view showing the telescoping display card holder of FIG. 1;

FIG. 3 is an elevational rear view showing the telescoping display card holder of FIG. 1;

FIG. 4 is an elevational left side view showing the telescoping display card holder of FIG. 1 in the closed position;

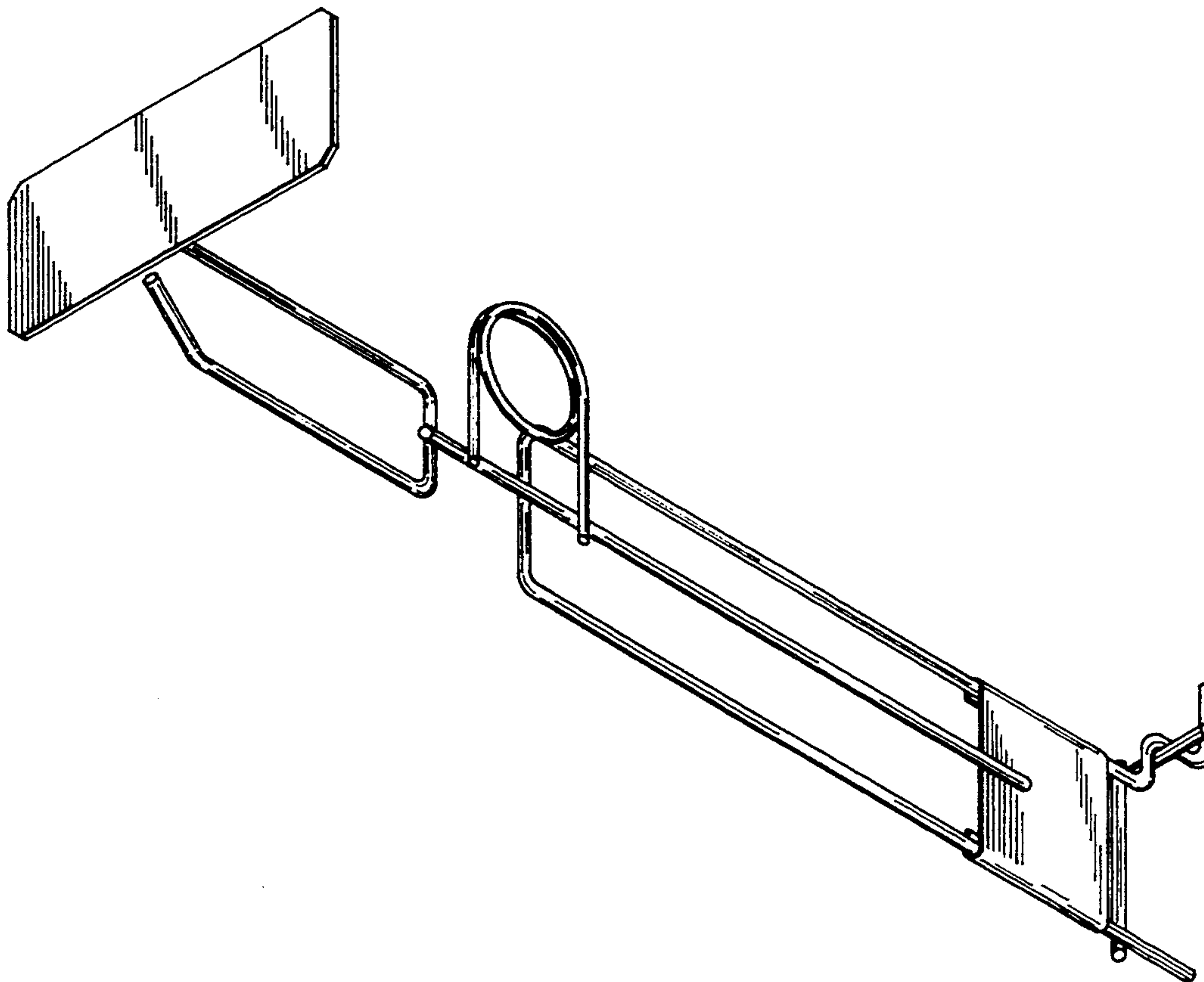
FIG. 5 is an elevational right side view showing the telescoping display card holder of FIG. 1 in the closed position;

FIG. 6 is an elevational top view showing the telescoping display card holder of FIG. 1 in the closed position;

FIG. 7 is an elevational bottom view showing the telescoping display card holder of FIG. 1 in the closed position;

FIG. 8 is an elevational left side view showing the telescoping display card holder of FIG. 1 in the extended position; and,

FIG. 9 is an elevational right side view showing the telescoping display card holder of FIG. 1 in the extended position.



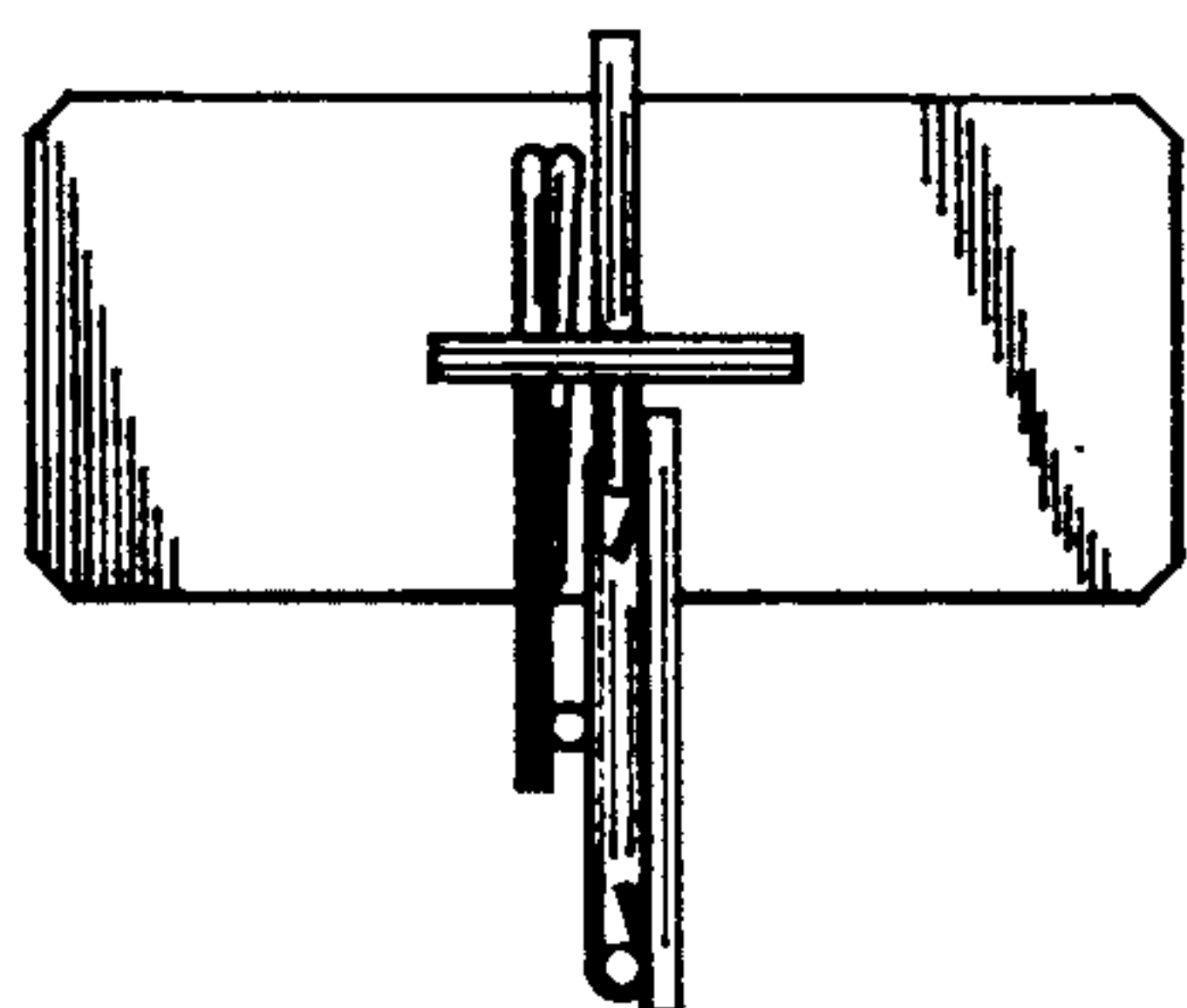


FIG. 3

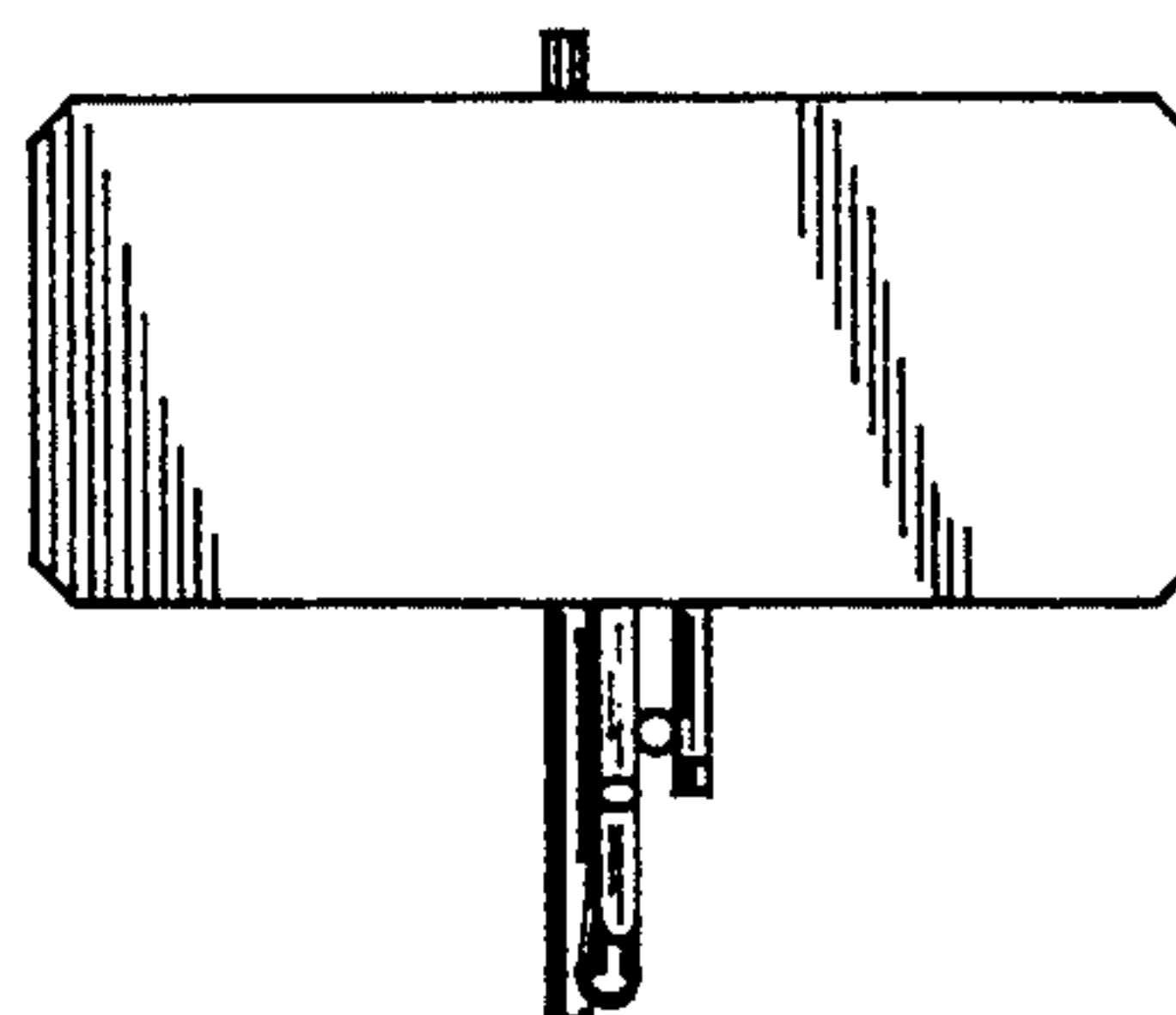


FIG. 2

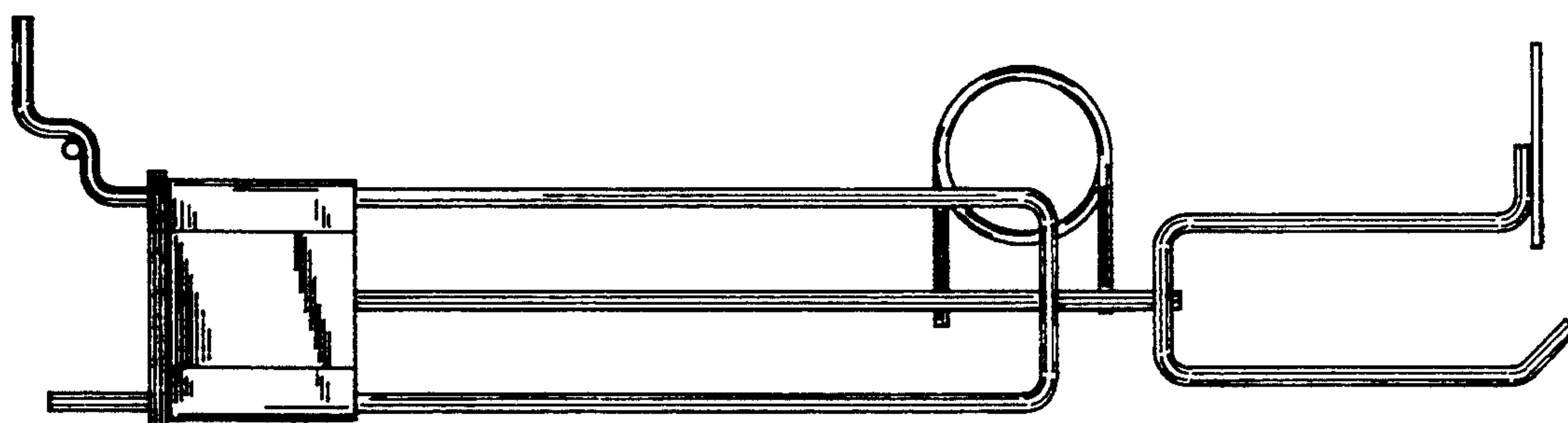


FIG. 4

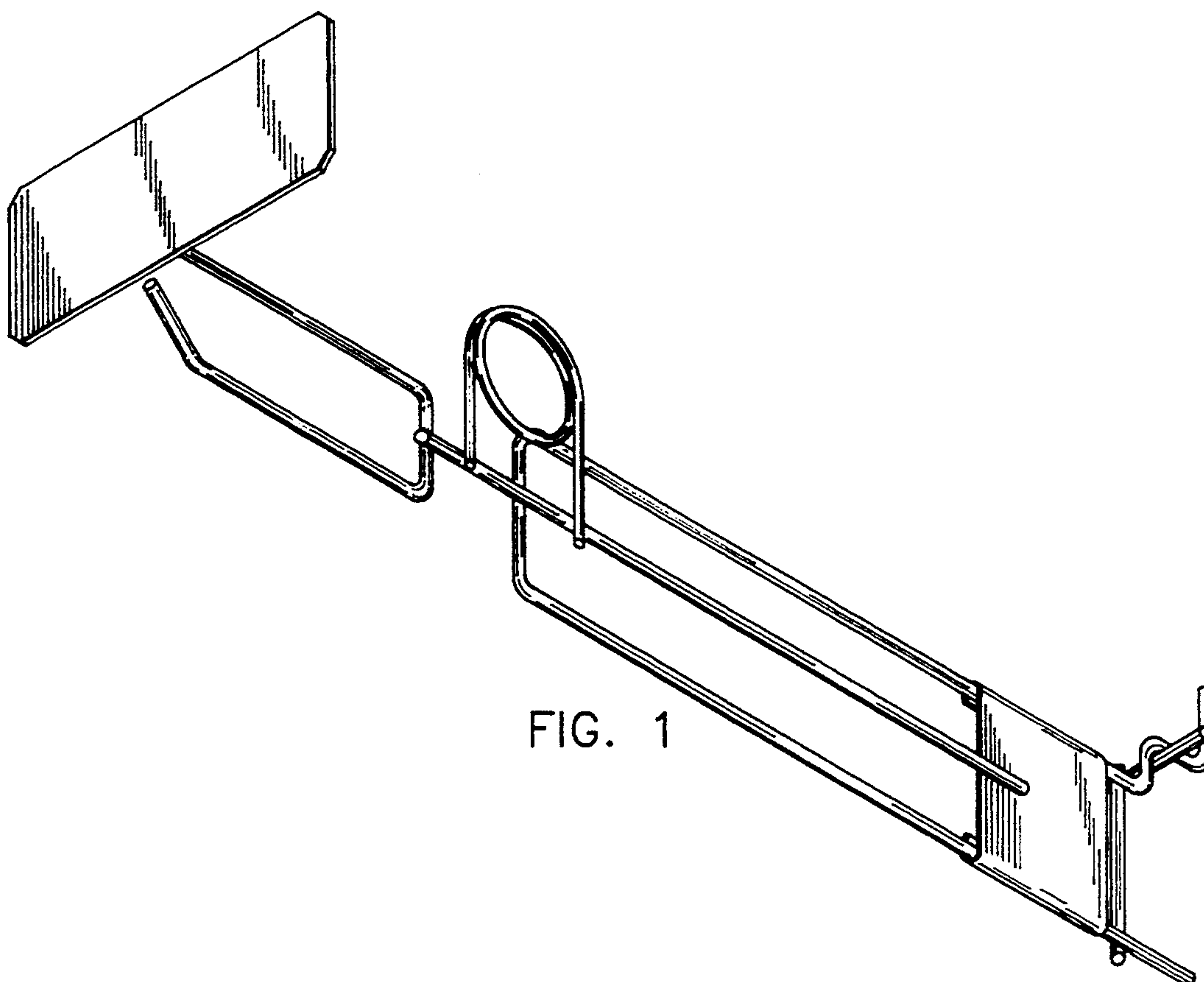


FIG. 1

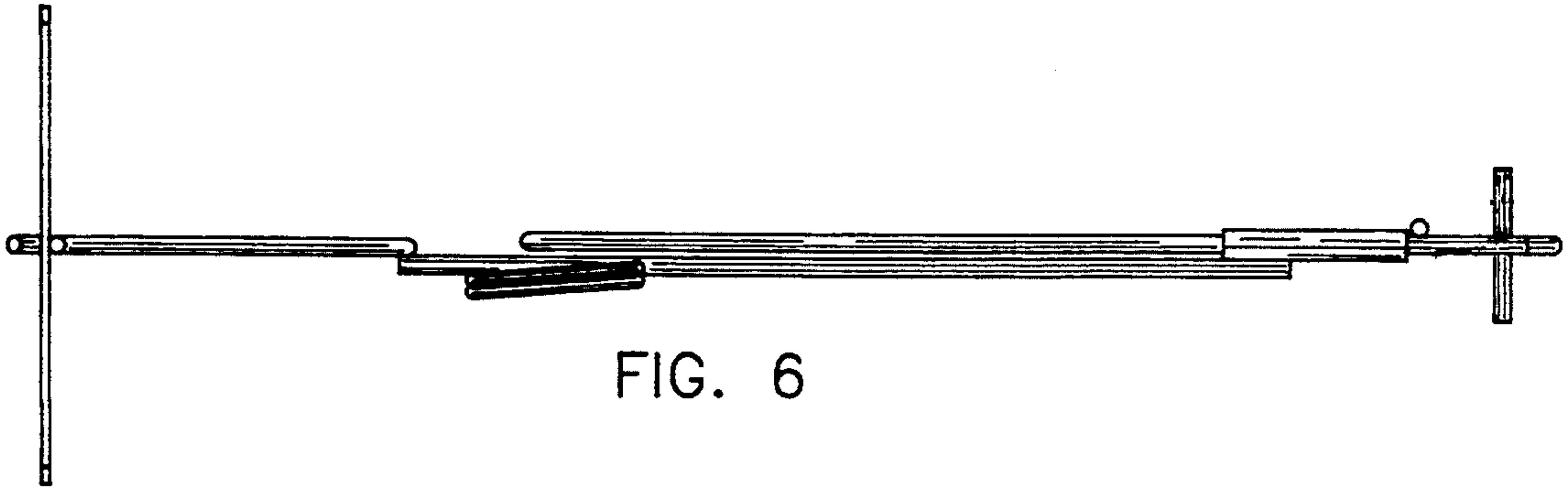


FIG. 6

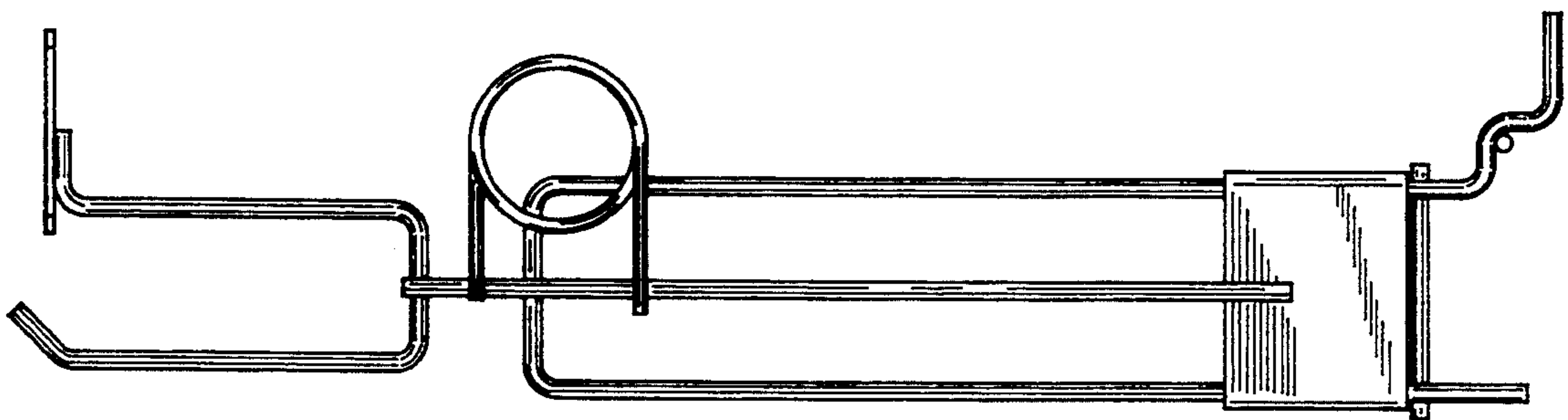


FIG. 5

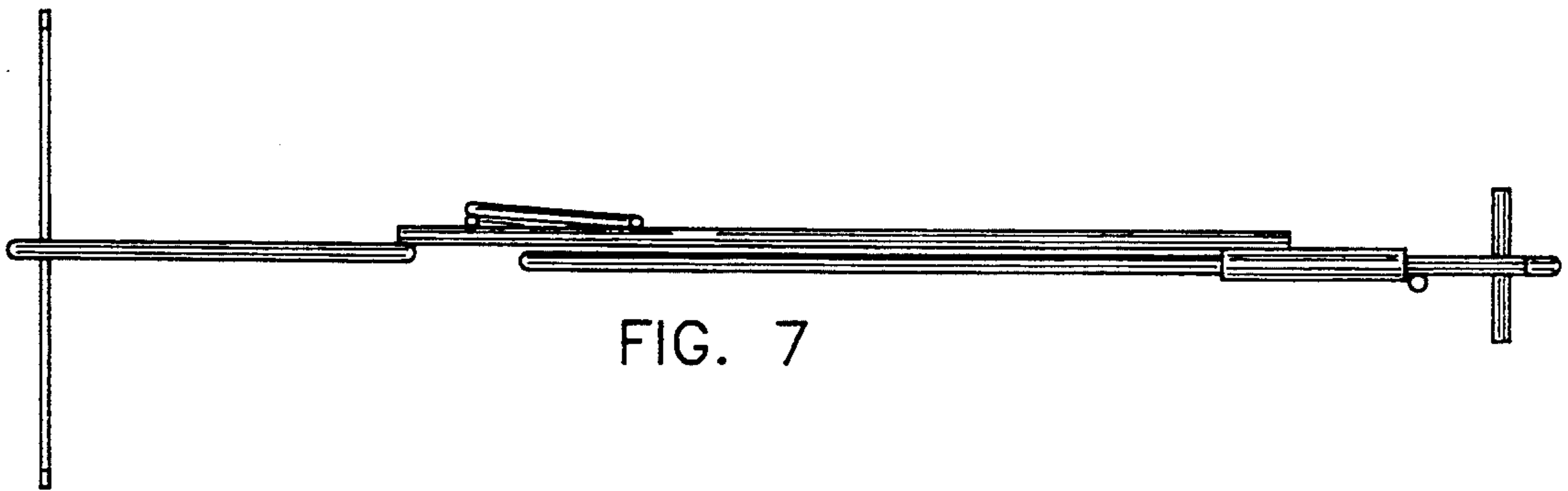


FIG. 7

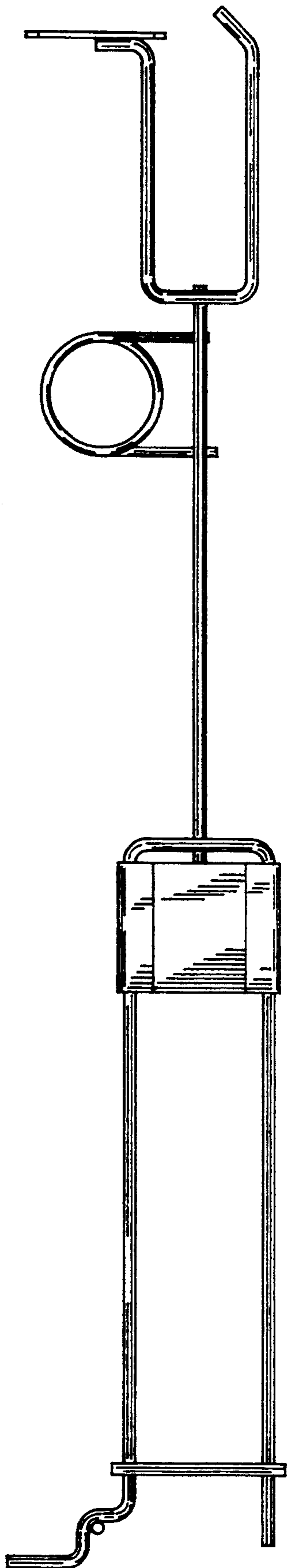


FIG. 8

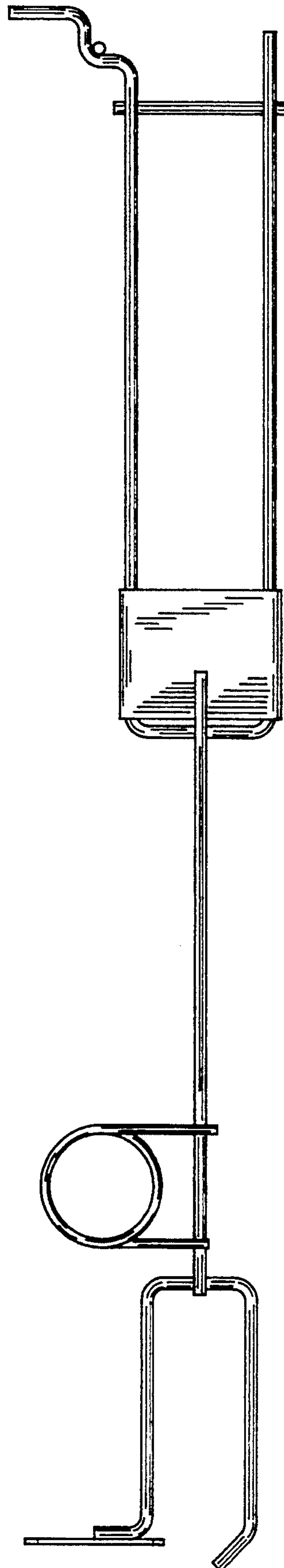


FIG. 9