



US00D352407S

United States Patent [19]

[11] Patent Number: Des. 352,407

Rizzi

[45] Date of Patent: ** Nov. 15, 1994

[54] TABLE

[75] Inventor: John J. Rizzi, Weston, Conn.

[73] Assignee: Westinghouse Electric Corporation, Pittsburgh, Pa.

[**] Term: 14 Years

[21] Appl. No.: 6,571

[22] Filed: Mar. 30, 1993

[52] U.S. Cl. D6/482; D6/484

[58] Field of Search D6/480-489, D6/495-499, 429; 108/144, 147, 153, 156, 161

[56] References Cited

U.S. PATENT DOCUMENTS

D. 165,584	1/1952	Johnson	D6/482
D. 282,096	1/1986	Levard	D6/482 X
D. 284,532	7/1986	Vogt	D6/480 X
D. 332,535	1/1993	Hosoe	D6/482
D. 342,873	1/1994	Dannenberg	D6/482 X
4,711,184	12/1987	Wallin et al.	108/144
4,747,353	5/1988	Watt	108/146
4,981,085	1/1991	Watt	108/147
5,301,616	4/1994	Wacker et al.	108/27

OTHER PUBLICATIONS

MISCO—Summer 1983, p. 42, table at bottom.

G. F. Furniture Systems ©1983, back inside cover table top left.
MIL-MODE Cat. No. 65, Fall 1961, p. 27 No. 758 table at lower left.

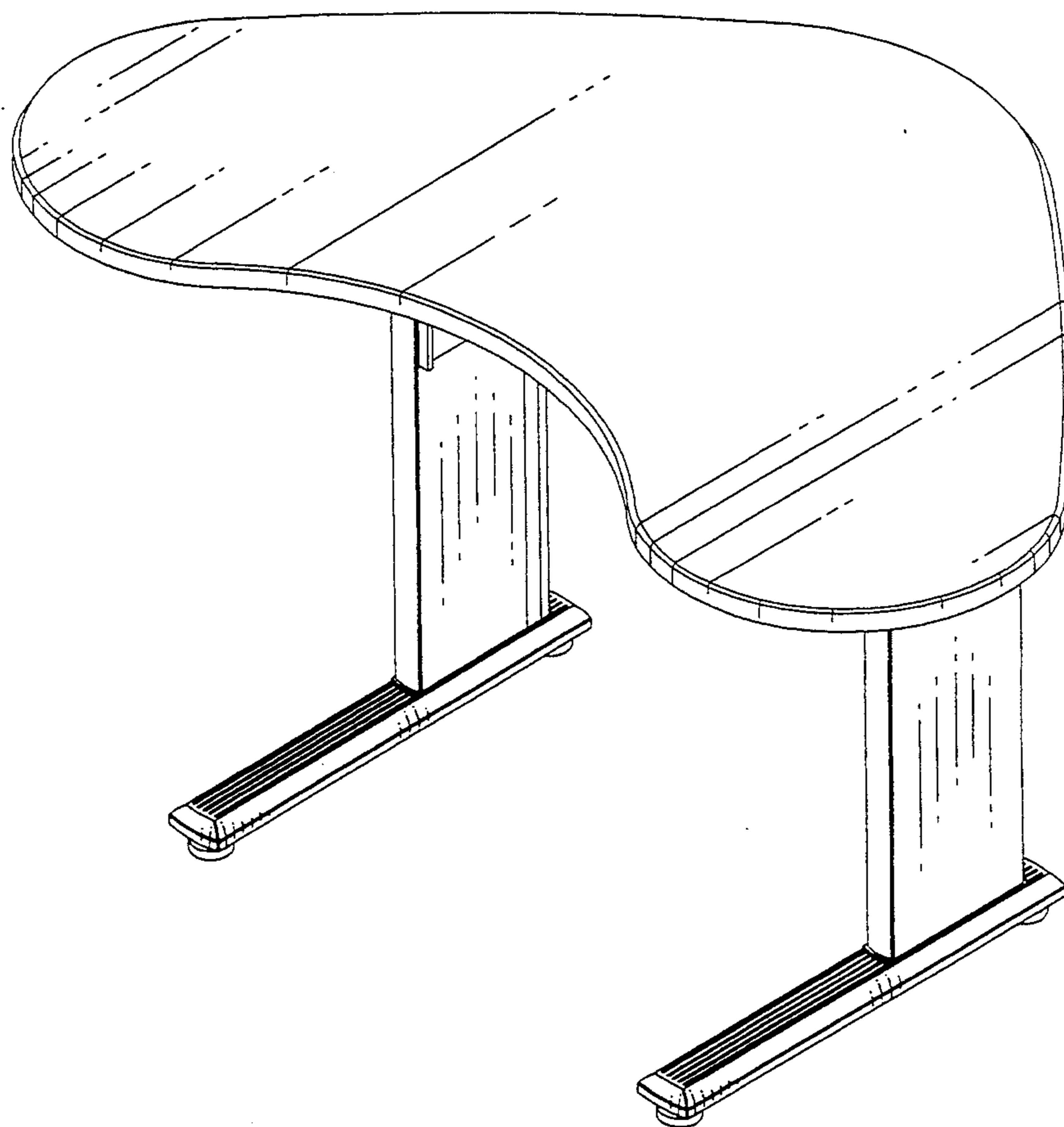
Primary Examiner—Janice E. Seeger
Attorney, Agent, or Firm—Carla J. Vrsansky

[57] CLAIM

The ornamental design for a table, as shown and described.

DESCRIPTION

FIG. 1 is a perspective view of a table showing my new design;
 FIG. 2 is a right side elevational view thereof, the left side being a mirror image thereof;
 FIG. 3 is a front elevational view thereof;
 FIG. 4 is a top plan view thereof;
 FIG. 5 is a rear elevational view thereof;
 FIG. 6 is a bottom plan view thereof;
 FIG. 7 is a perspective view of an alternate embodiment of my new design;
 FIG. 8 is a right side elevational view thereof, the left side being a mirror image thereof;
 FIG. 9 is a front elevational view thereof;
 FIG. 10 is a top plan view thereof;
 FIG. 11 is a rear elevational view thereof; and,
 FIG. 12 is a bottom plan view thereof.



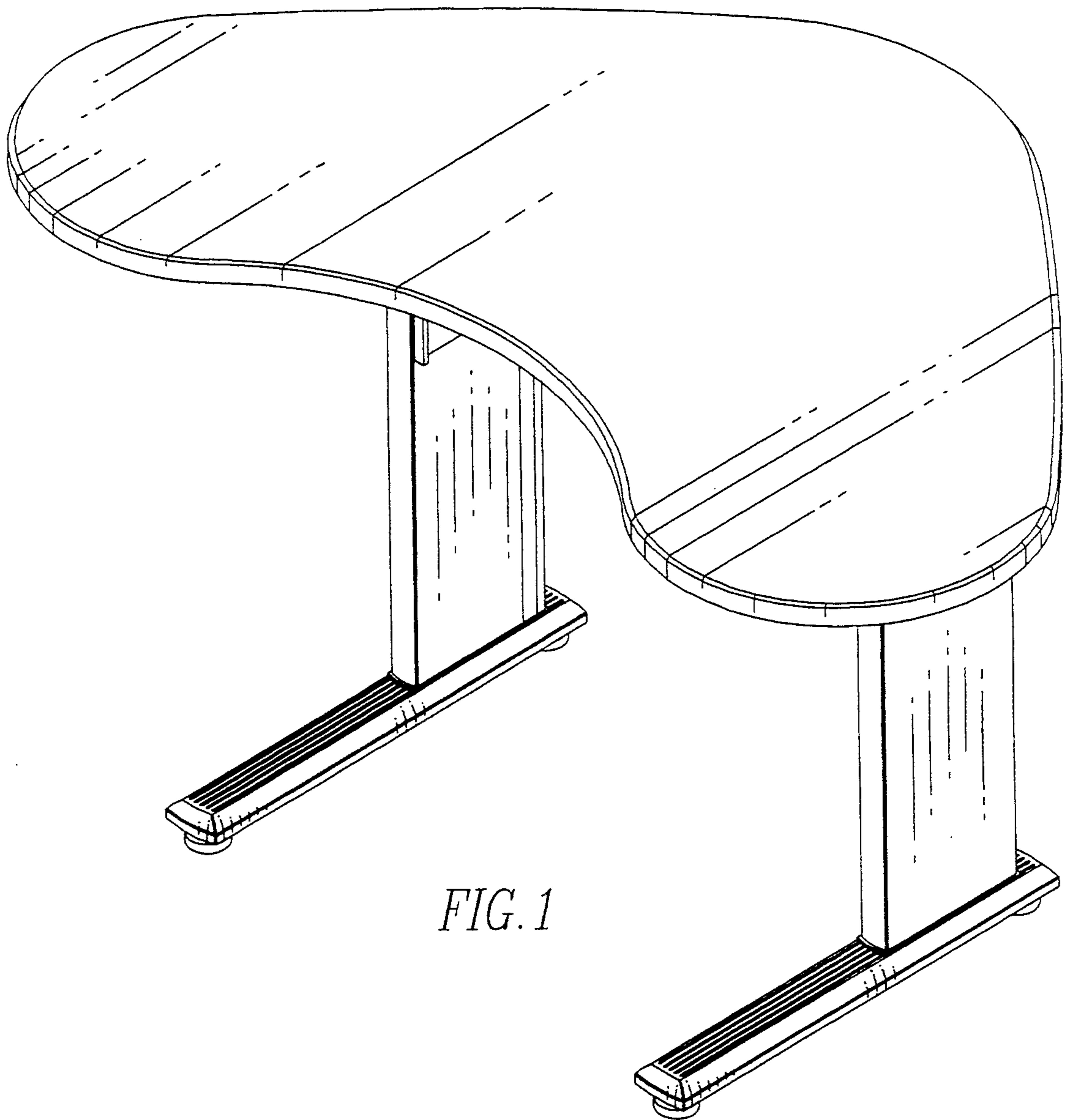


FIG. 1

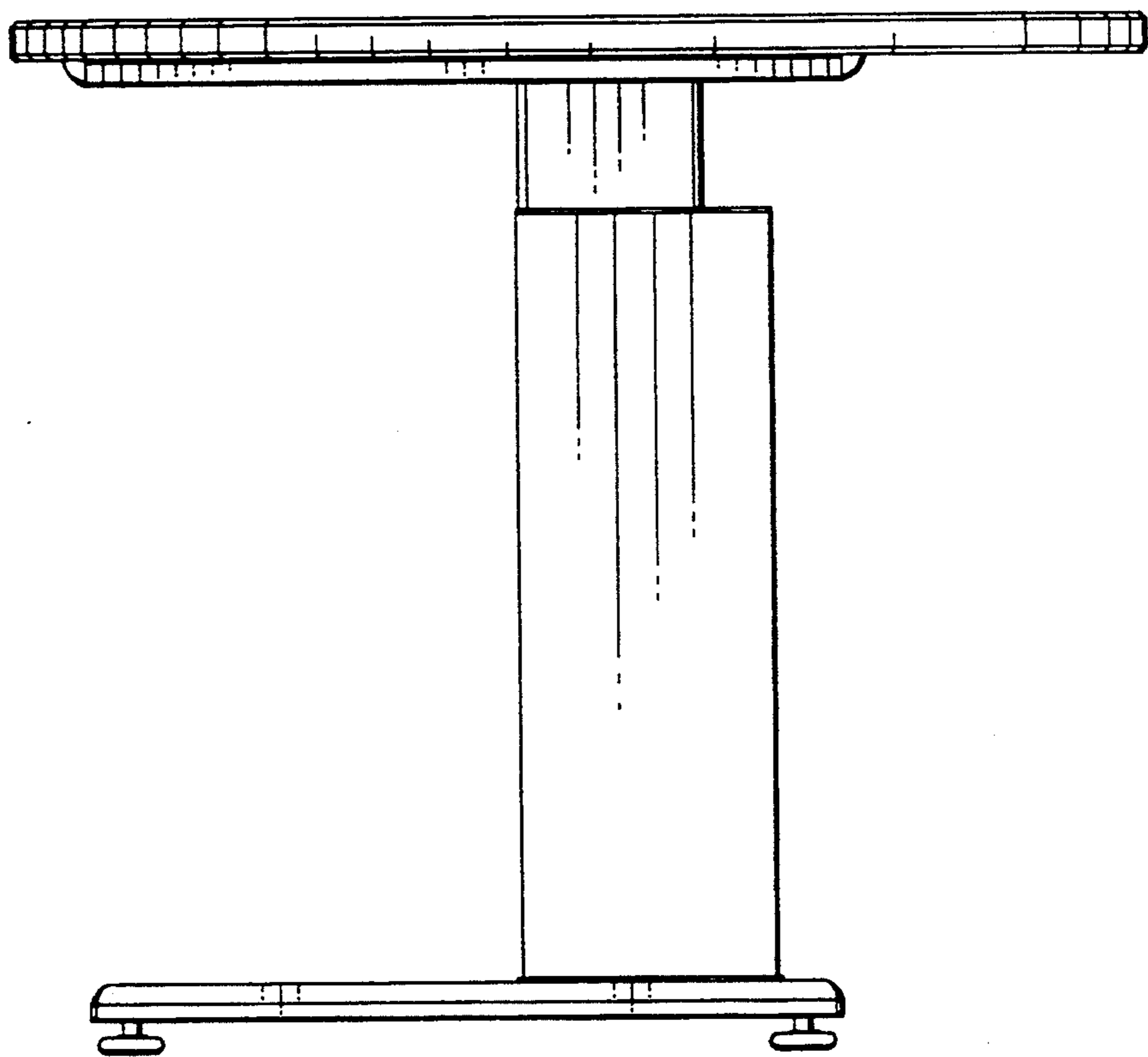


FIG. 2

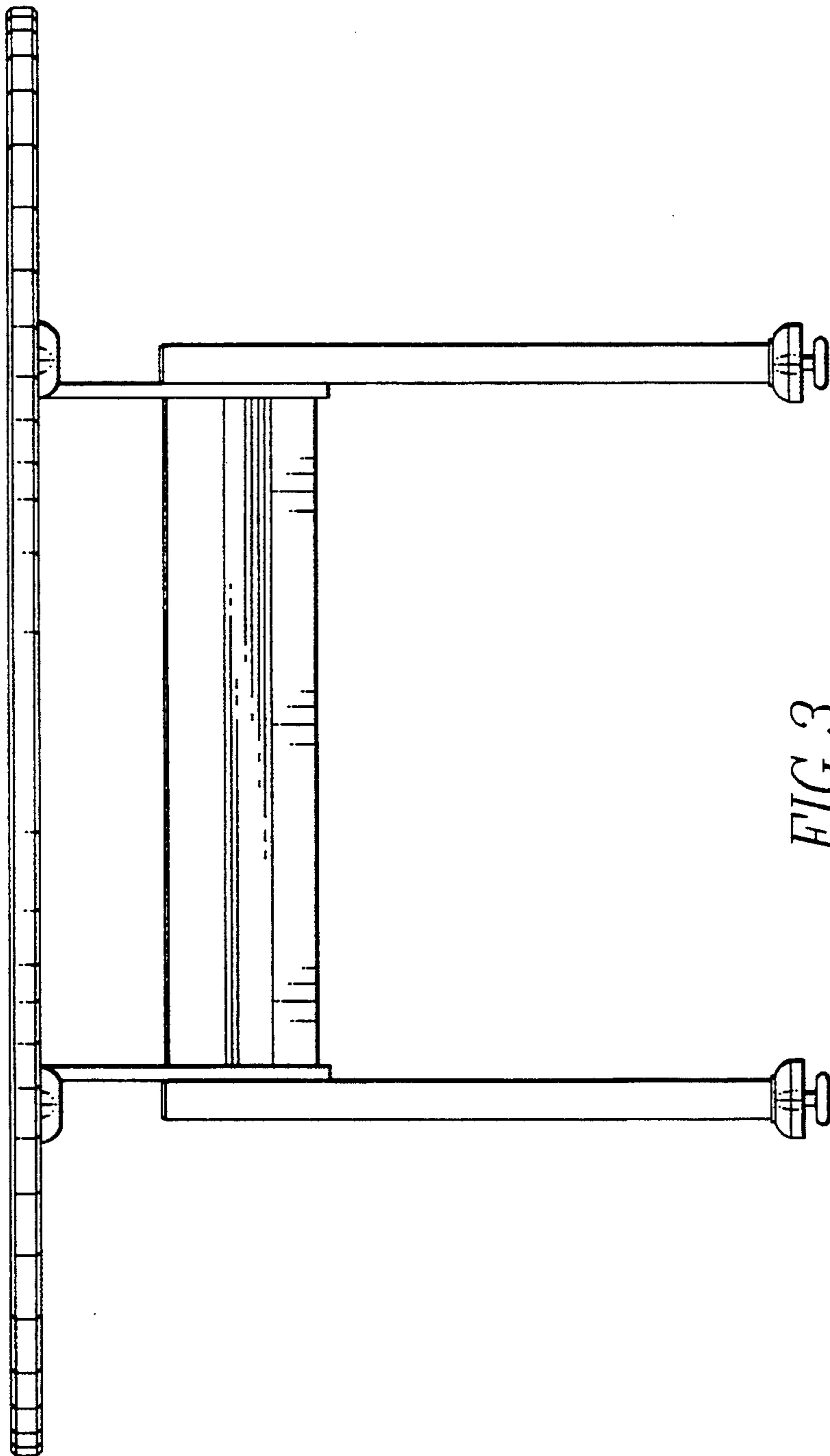


FIG. 3

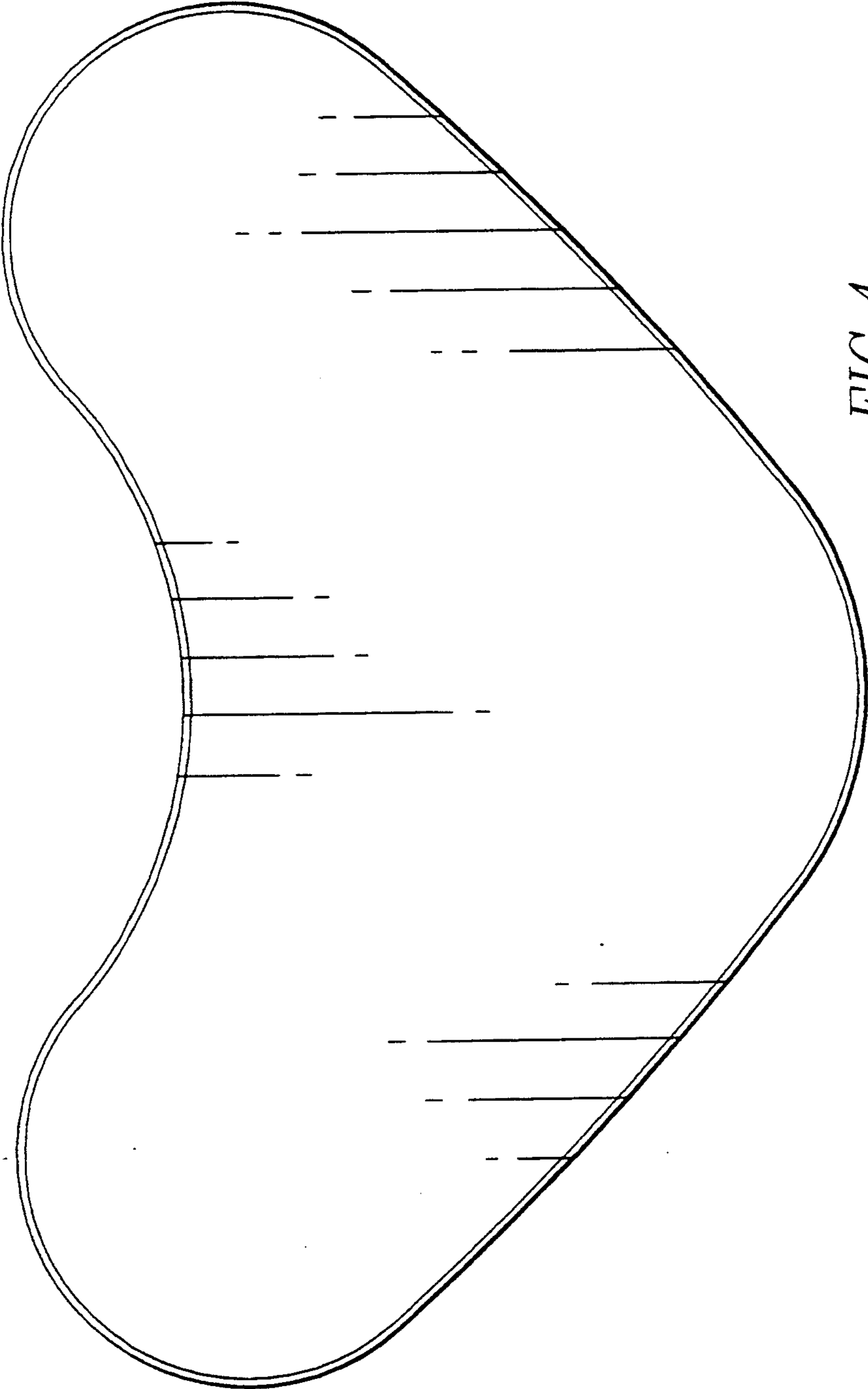


FIG. 4

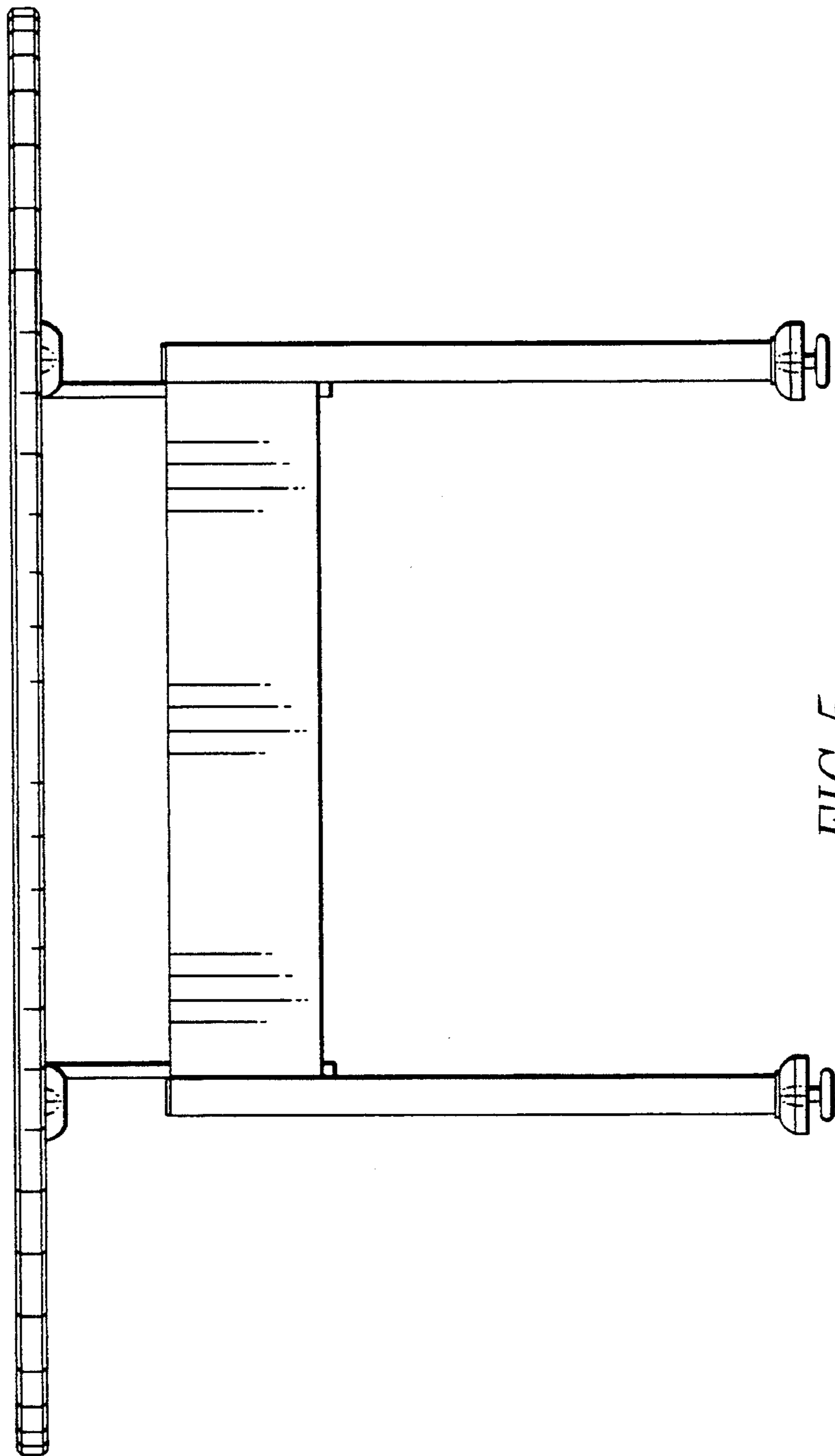


FIG. 5

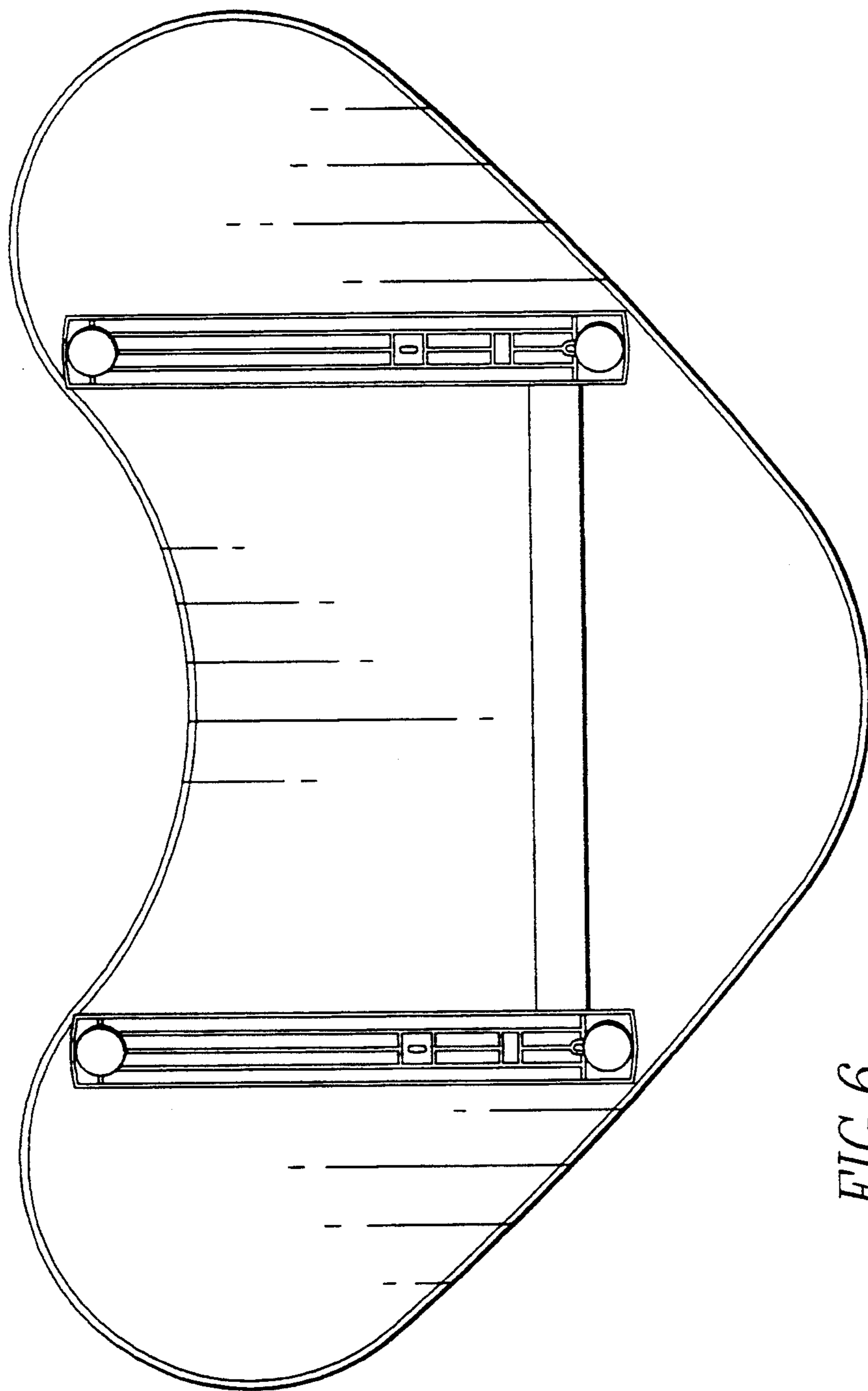


FIG. 6

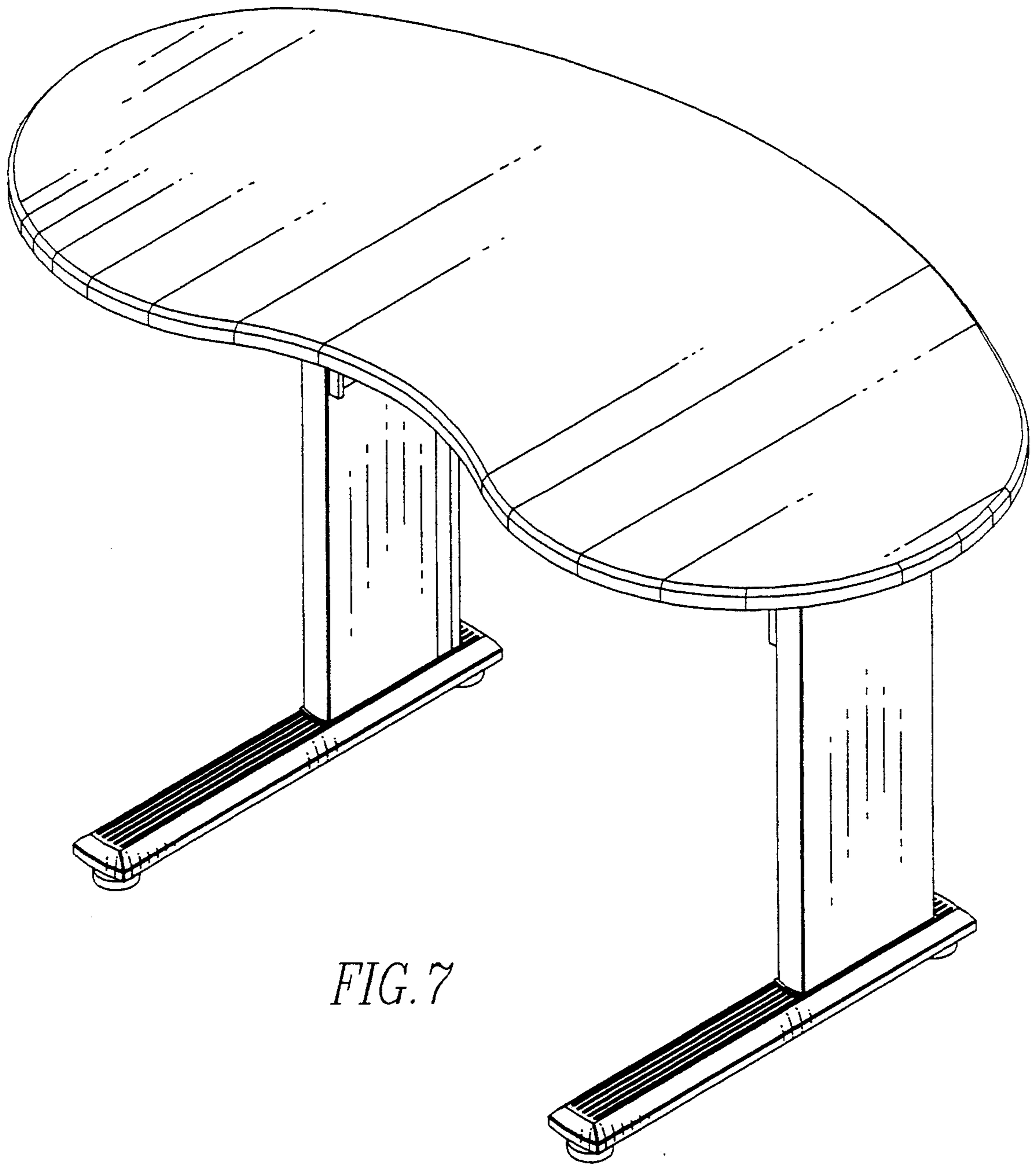


FIG. 7

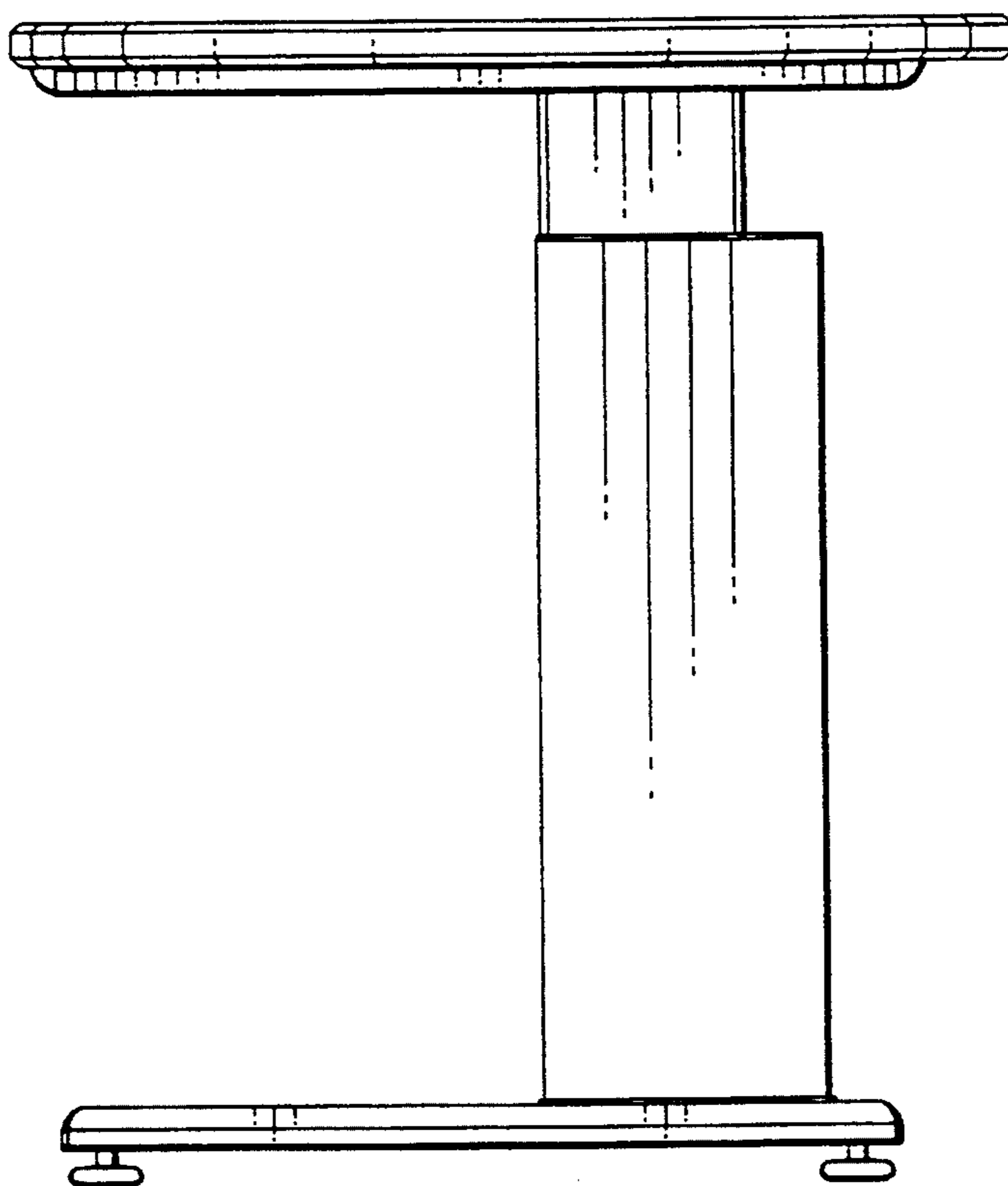


FIG. 8

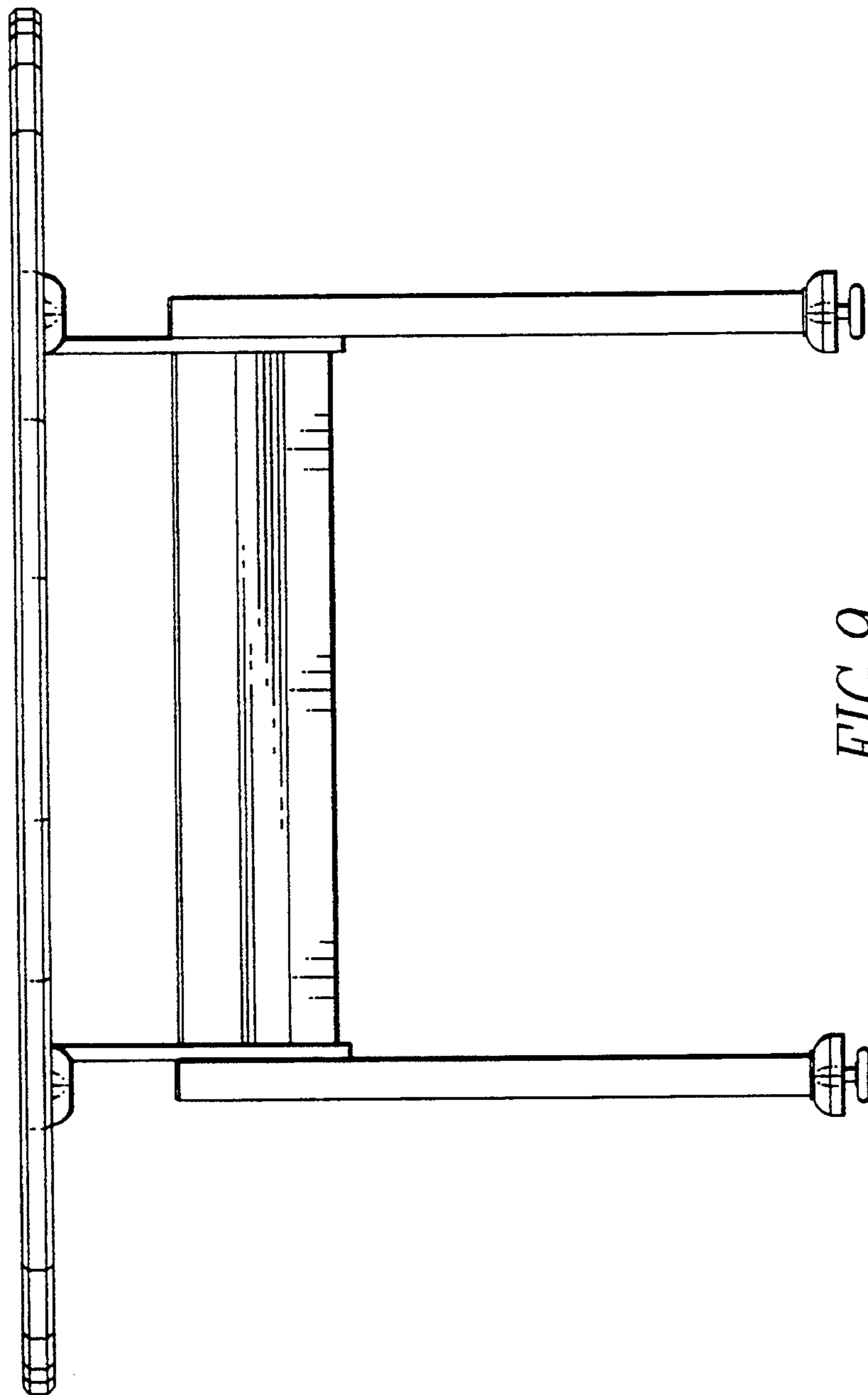


FIG. 9

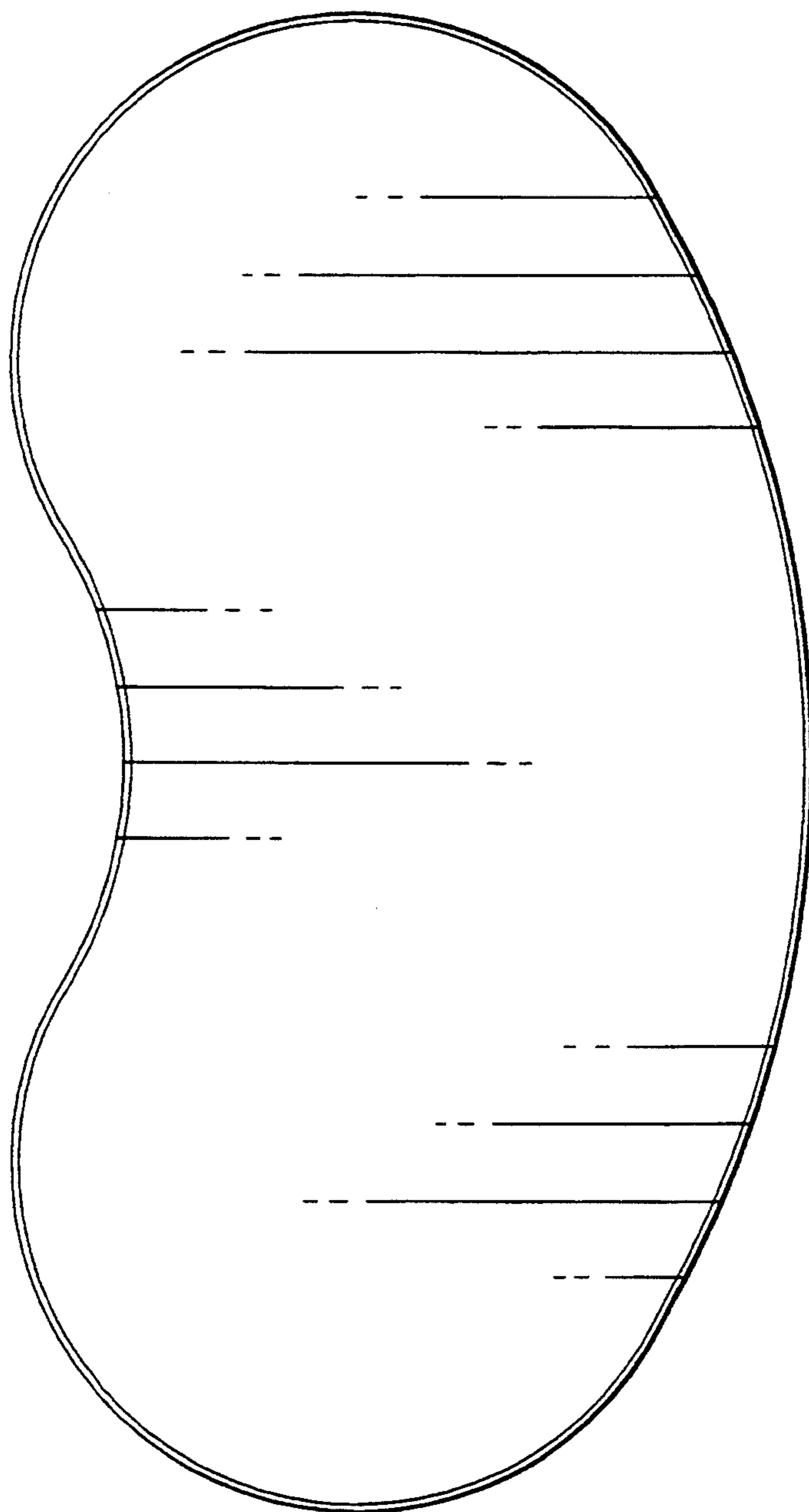


FIG. 10

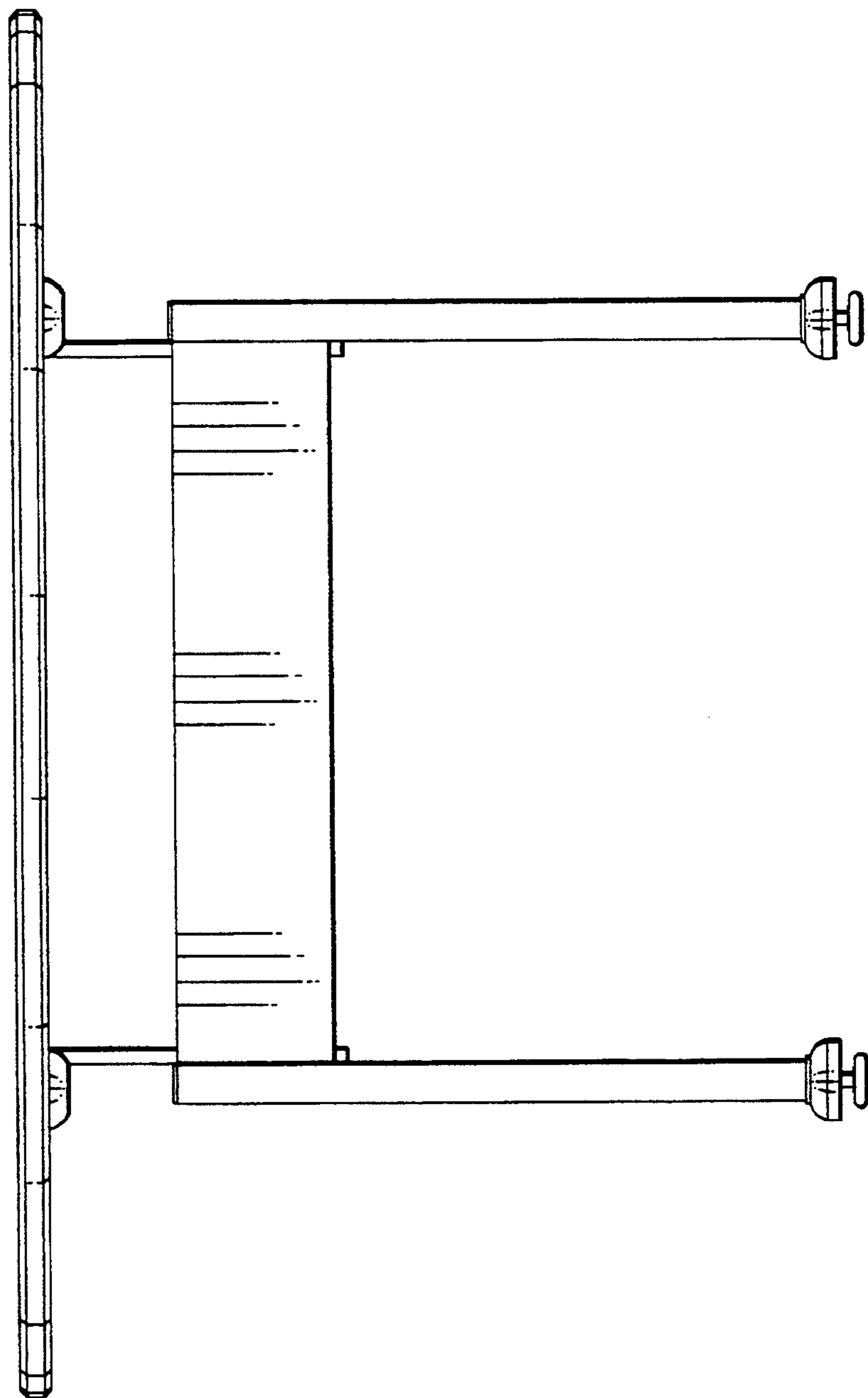


FIG. 11

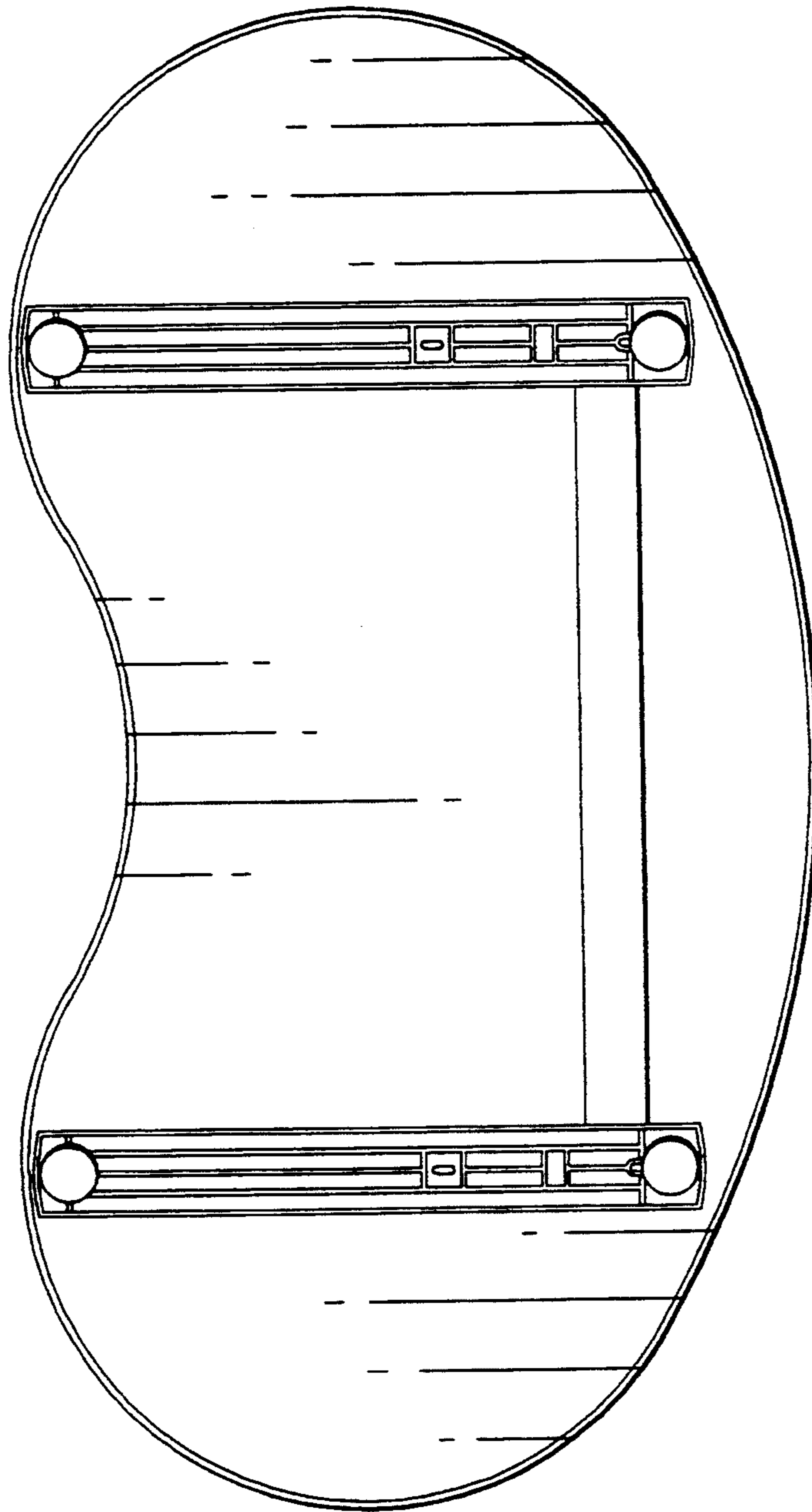


FIG. 12