



US00D352401S

United States Patent [19]

[11] Patent Number: **Des. 352,401**

Bonazza

[45] Date of Patent: **** Nov. 15, 1994**

[54] **PEDICURE STOOL**

[56] **References Cited**

U.S. PATENT DOCUMENTS

[75] Inventor: **Claudio Bonazza**, Mission Viejo, Calif.

D. 86,489	3/1932	Stoner	D6/336
D. 167,675	9/1952	Chancellor	D6/336
D. 179,593	1/1957	Cramer	D6/336
D. 180,542	7/1957	Barrow	D6/336

[73] Assignee: **Venice Trading Company, Inc.**, Costa Mesa, Calif.

Primary Examiner—Alan P. Douglas
Assistant Examiner—Gary D. Watson
Attorney, Agent, or Firm—Christie, Parker & Hale

[**] Term: **14 Years**

[57] CLAIM

The ornamental design for pedicure stool, as shown and described.

[21] Appl. No.: **8,268**

DESCRIPTION

[22] Filed: **May 12, 1993**

FIG. 1 is a perspective view of a pedicure stool showing my new design;

[52] U.S. Cl. **D6/336; D24/183; D24/185**

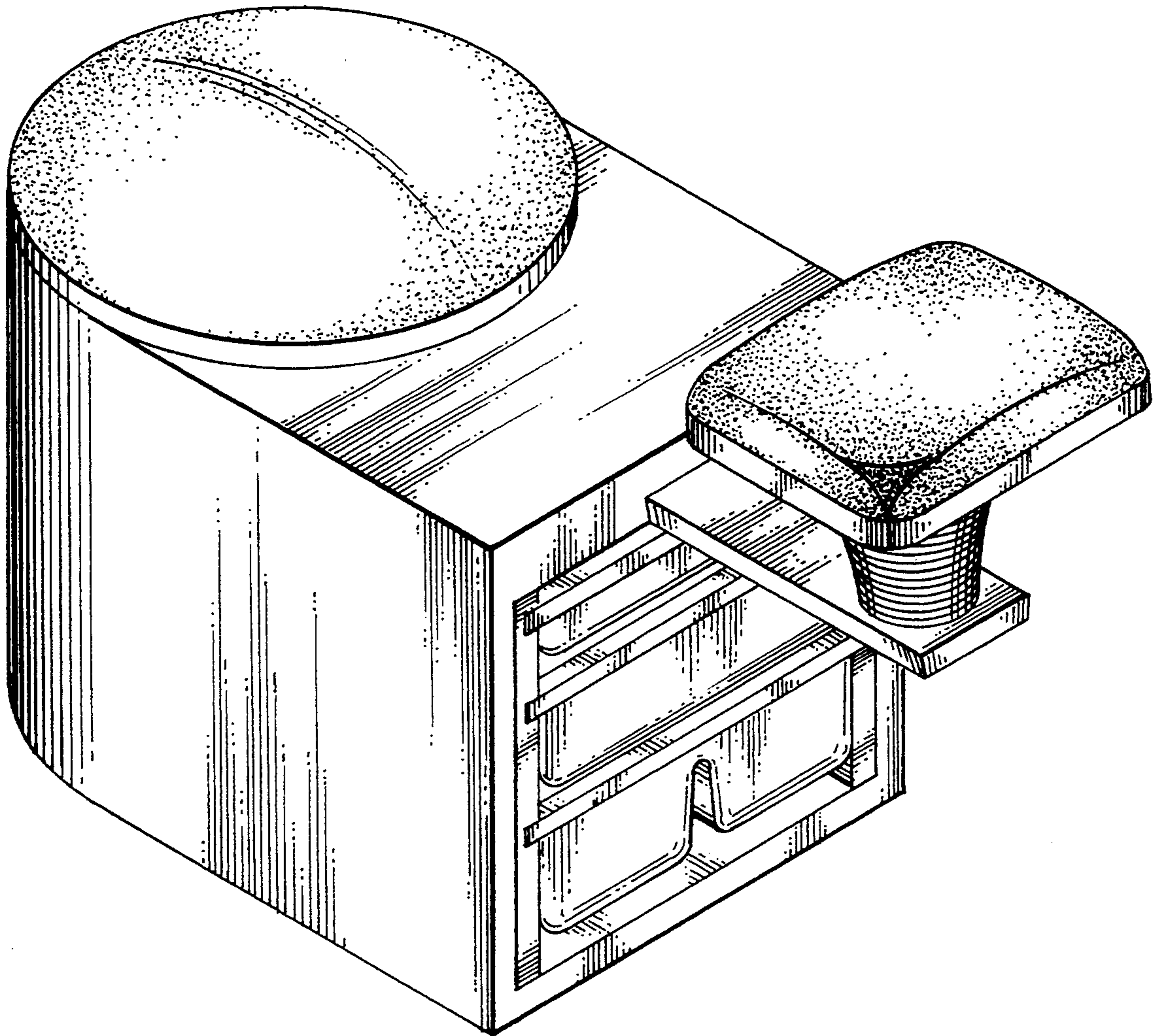
FIG. 2 is a left side elevational view, the right side being a mirror image thereof;

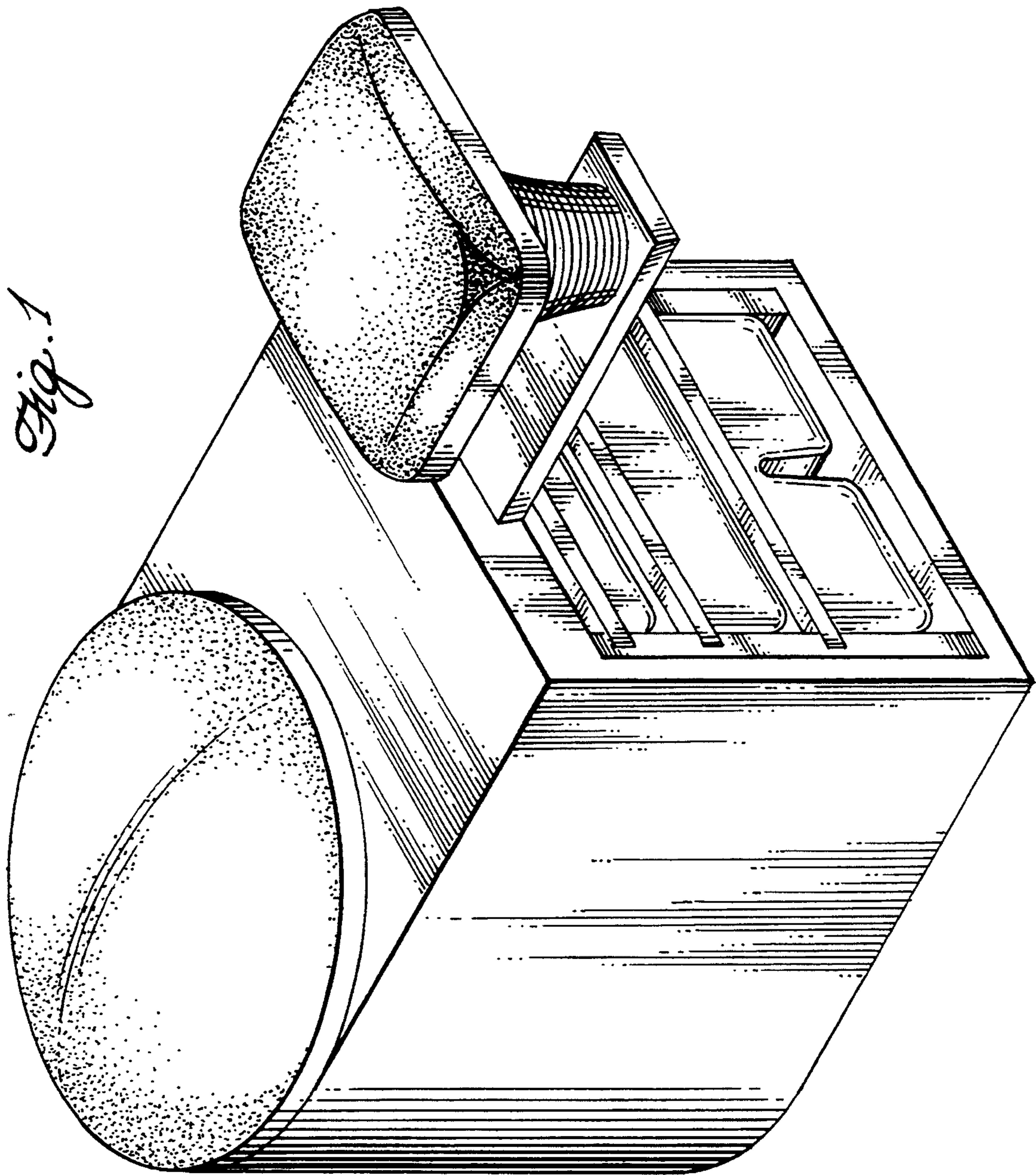
[58] Field of Search **D6/335, 335, 336, 349, D6/354, 500, 501, 502; 297/156, 232; D24/183, 185**

FIG. 3 is a front elevational view;

FIG. 4 is a top plan view; and

FIG. 5 is a rear elevational view thereof.





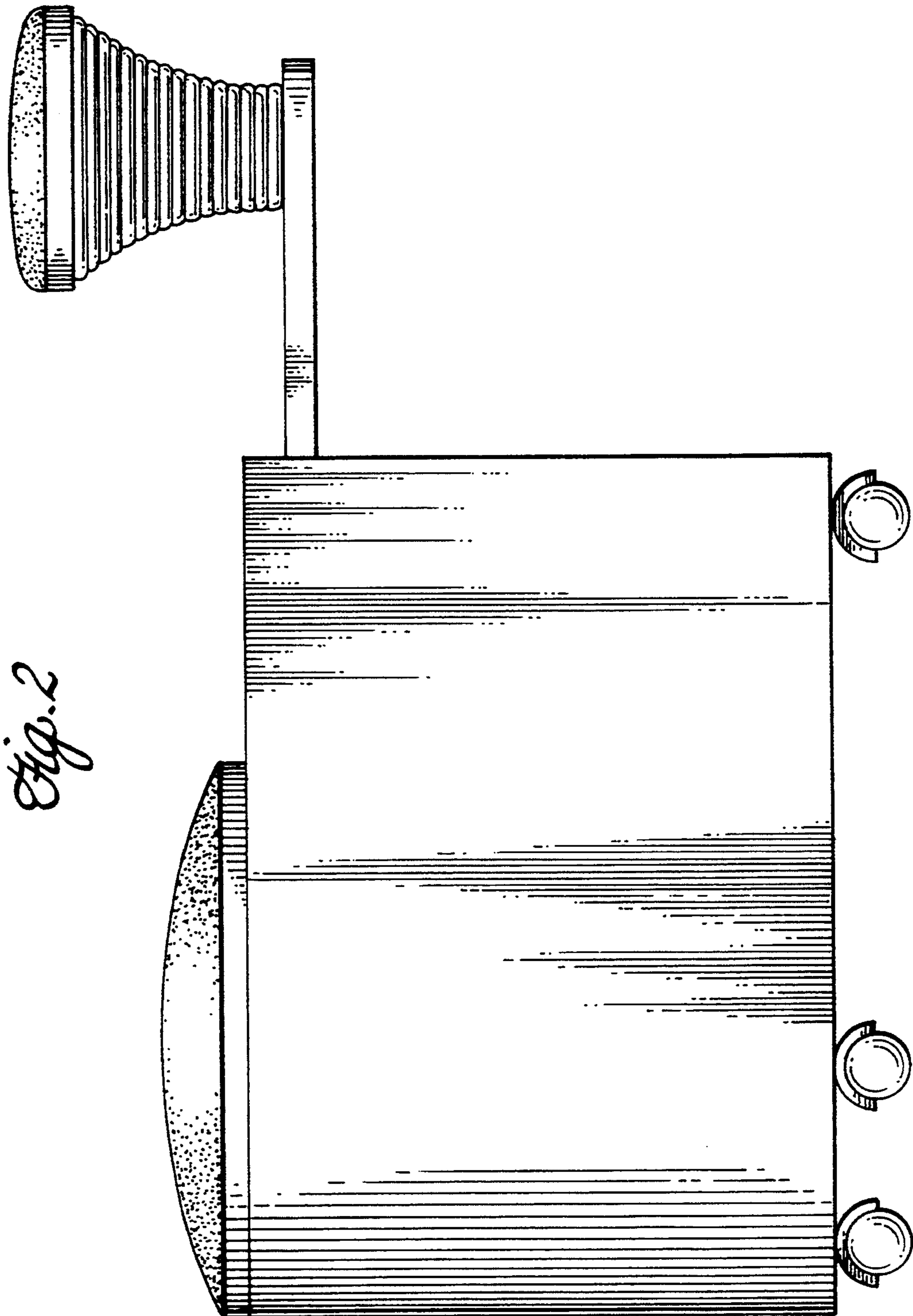


Fig. 2

Fig. 3

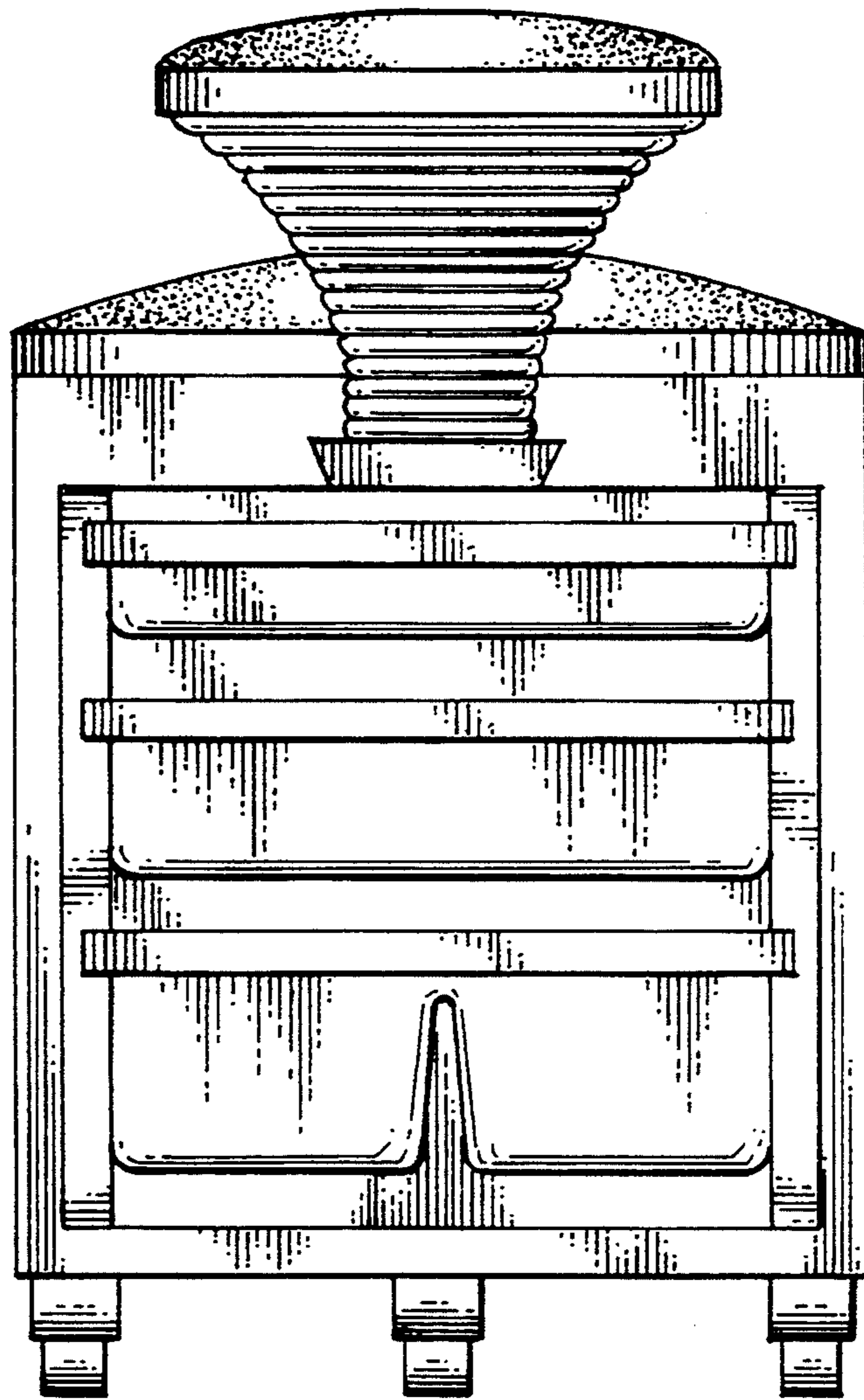


Fig. 4

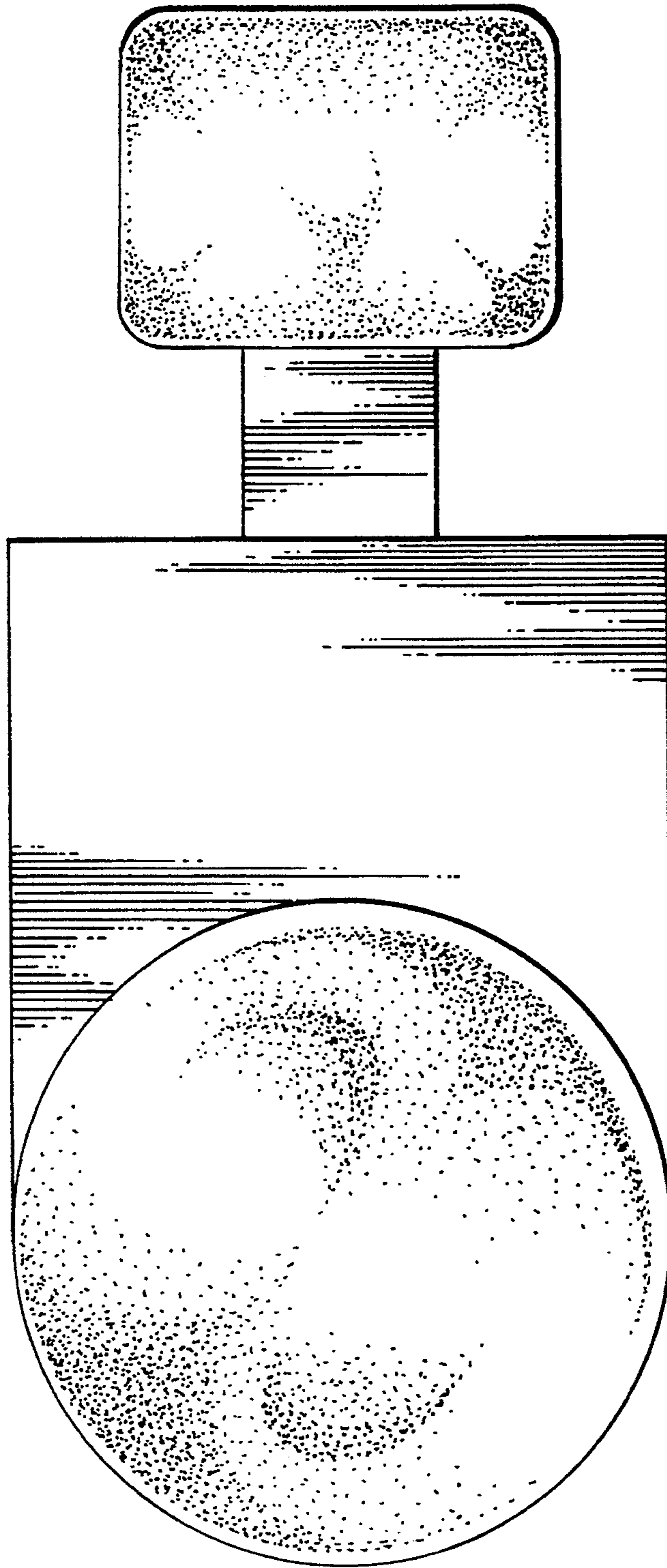


Fig. 5

