



US00D352400S

**United States Patent** [19]  
**Yamazaki**

[11] **Patent Number: Des. 352,400**  
[45] **Date of Patent: \*\* Nov. 15, 1994**

[54] **FOLDING CHAIR UNIT**  
[75] **Inventor: Ryokichi Yamazaki, Chiba, Japan**  
[73] **Assignee: Kabushiki Kaisha Kotobuki, Tokyo, Japan**  
[\*\*] **Term: 14 Years**  
[21] **Appl. No.: 2,775**  
[22] **Filed: Dec. 21, 1992**  
[30] **Foreign Application Priority Data**

Jul. 22, 1992 [JP] Japan ..... 4-21729  
[52] **U.S. Cl. .... D6/335; D6/334**  
[58] **Field of Search .... D6/334, 335, 356;**  
**297/188.08, 191, 232, 235, 335, 452.25**

[56] **References Cited**  
**U.S. PATENT DOCUMENTS**  
D. 140,502 3/1945 Forster ..... D6/356  
D. 336,379 6/1993 Veneruso ..... D6/356  
4,294,048 10/1981 Sutter ..... 297/232 X

4,610,479 9/1986 Pouzoulet ..... 297/335 X

**FOREIGN PATENT DOCUMENTS**

641209 8/1950 United Kingdom ..... 297/335

*Primary Examiner*—Wallace R. Burke  
*Assistant Examiner*—Monica A. Hannon  
*Attorney, Agent, or Firm*—Bacon & Thomas

[57] **CLAIM**

The ornamental design for a folding chair unit, as shown.

**DESCRIPTION**

FIG. 1 is a front, top and right side perspective view of a folding chair unit showing my new design;  
FIG. 2 is a front top and right side perspective view thereof, with the chair folded;  
FIG. 3 is a front elevational view thereof;  
FIG. 4 is a right side elevational view thereof;  
FIG. 5 is a top plan view thereof;  
FIG. 6 is a bottom plan view thereof; and  
FIG. 7 is a rear elevational view thereof.

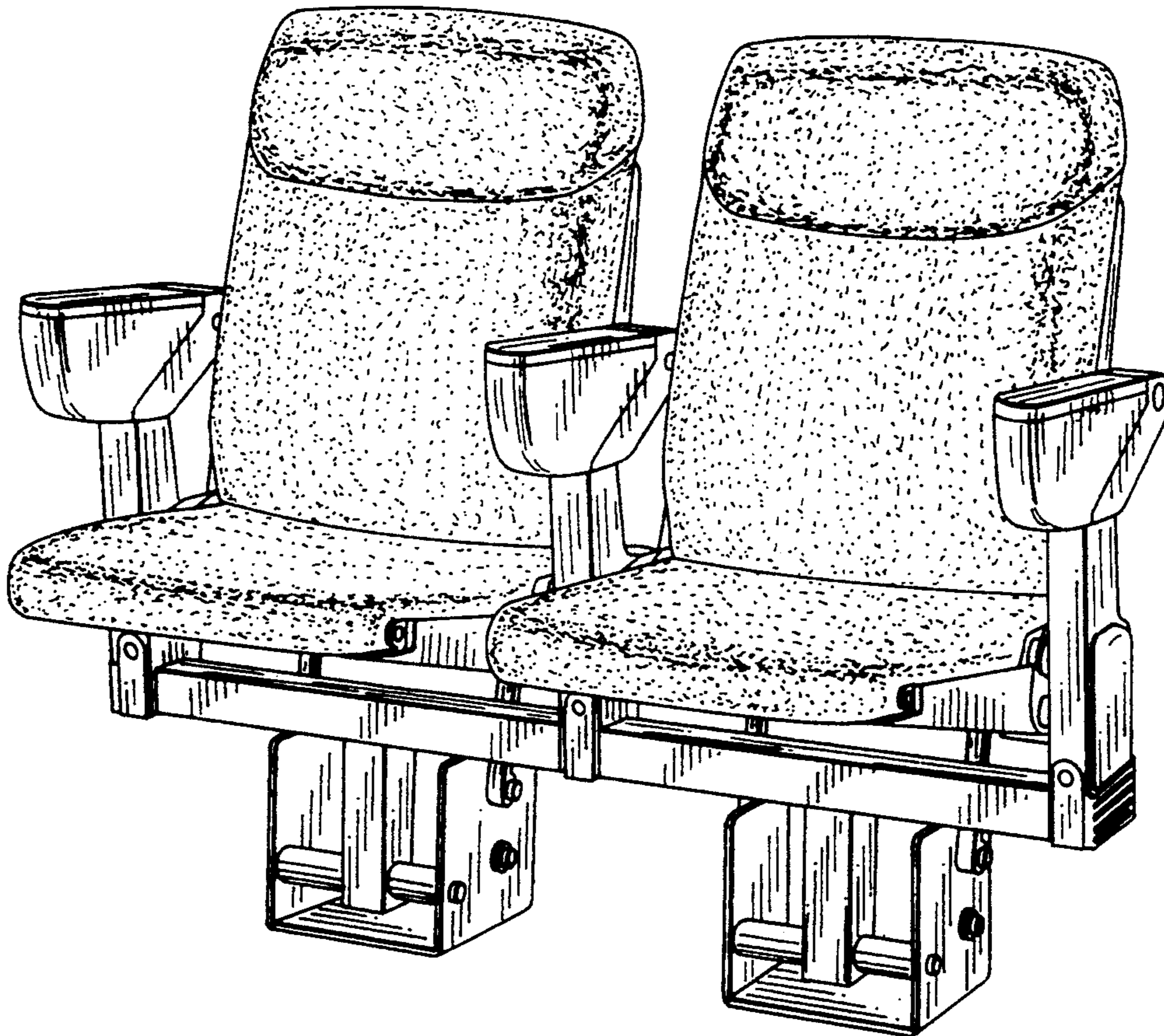


FIG. 1

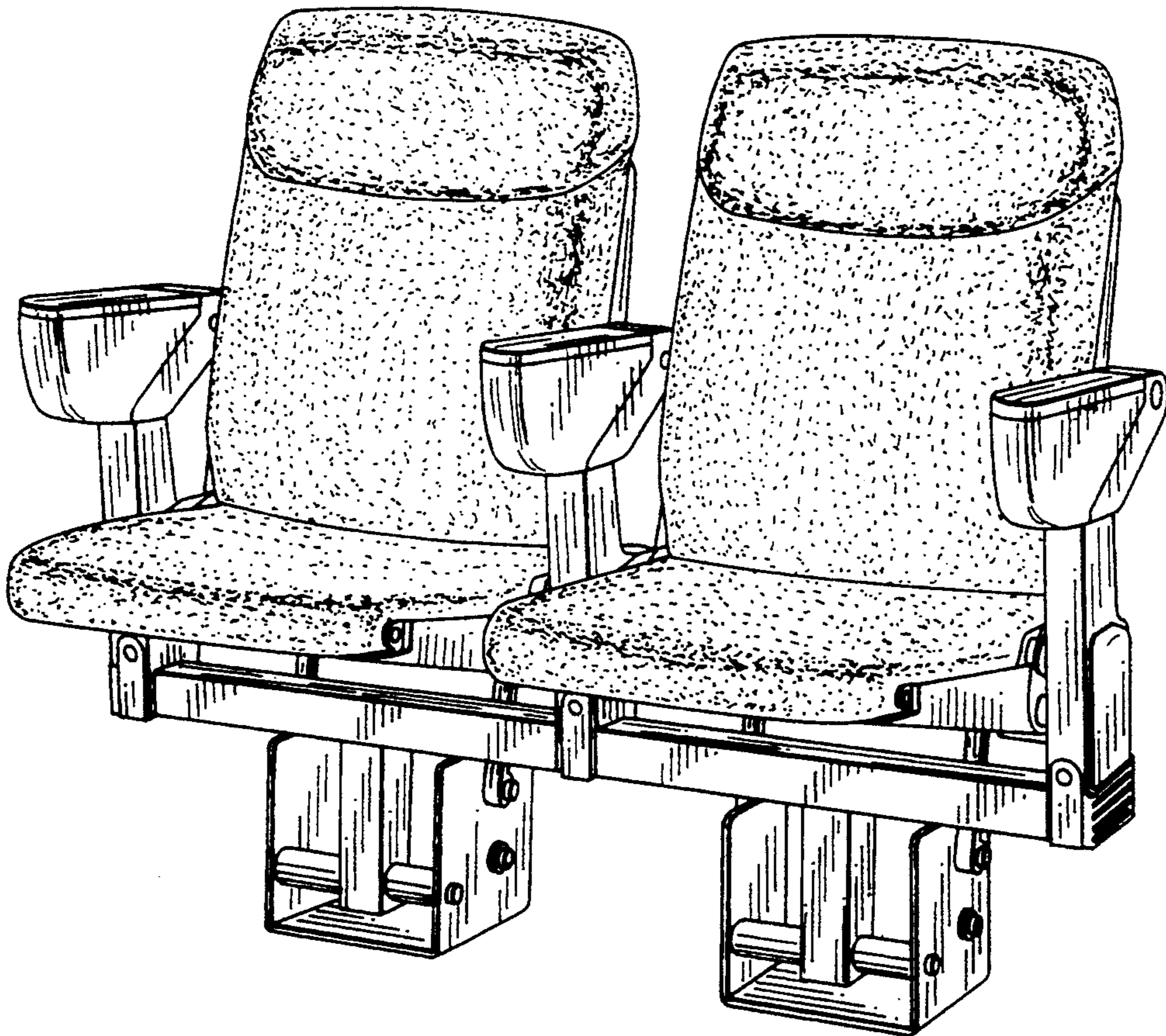


FIG. 2

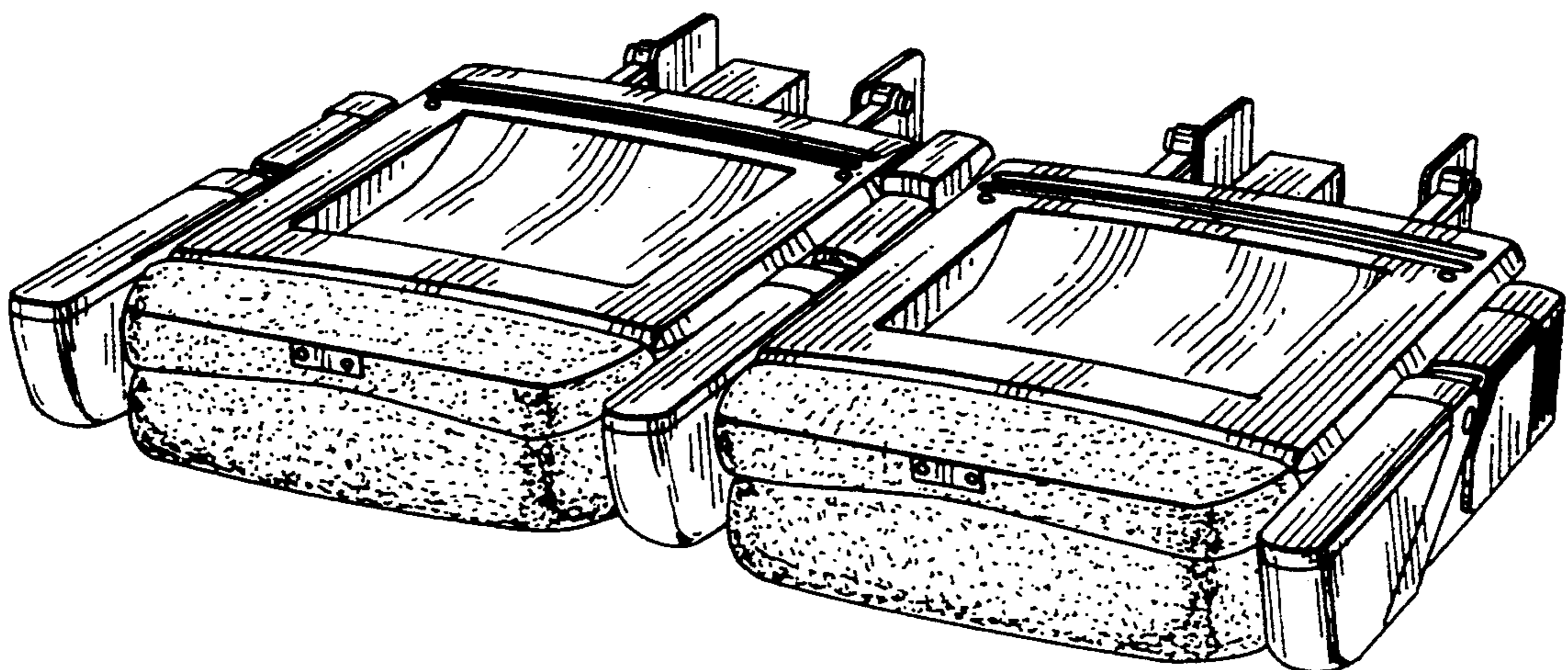


FIG. 3

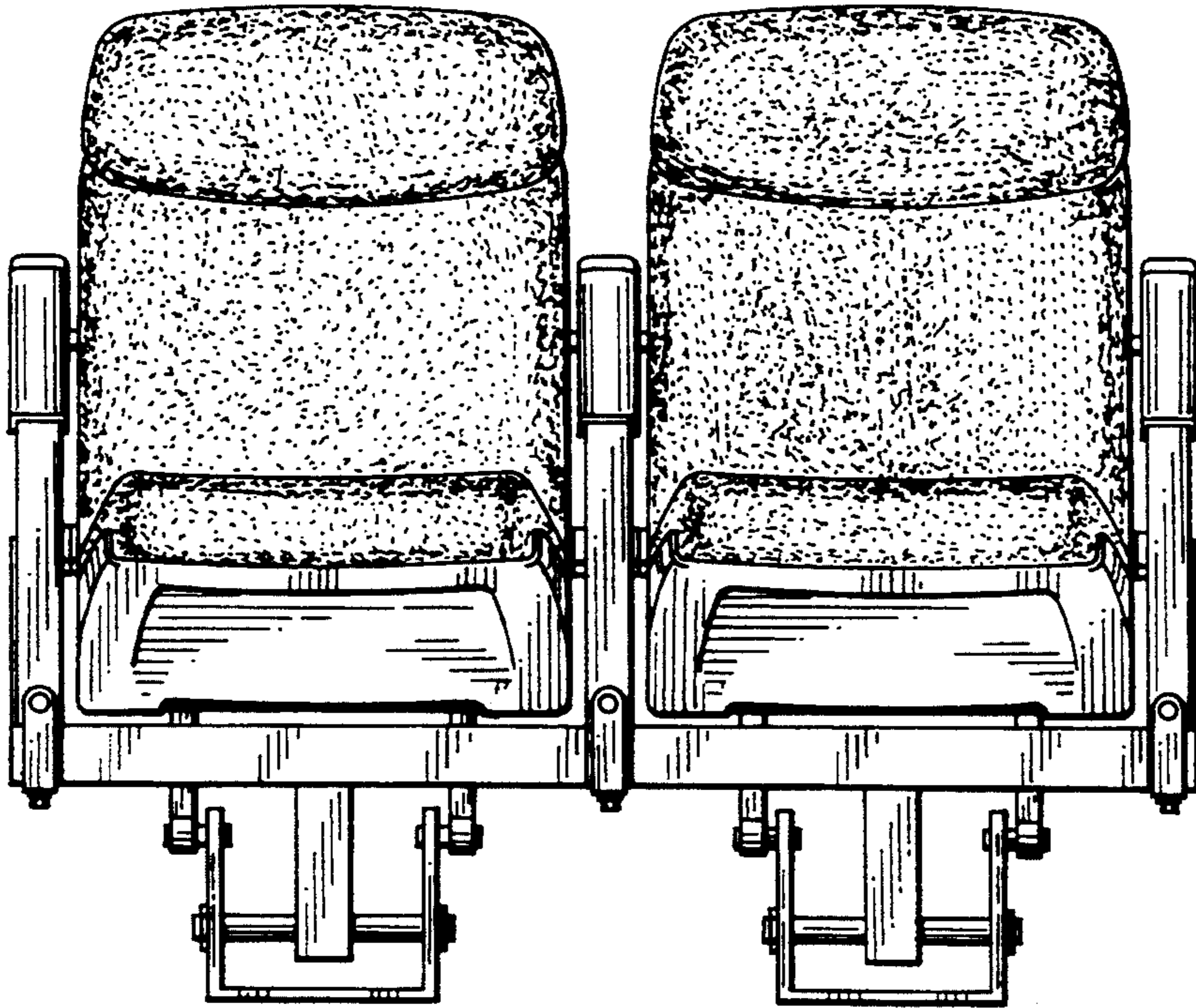


FIG. 4

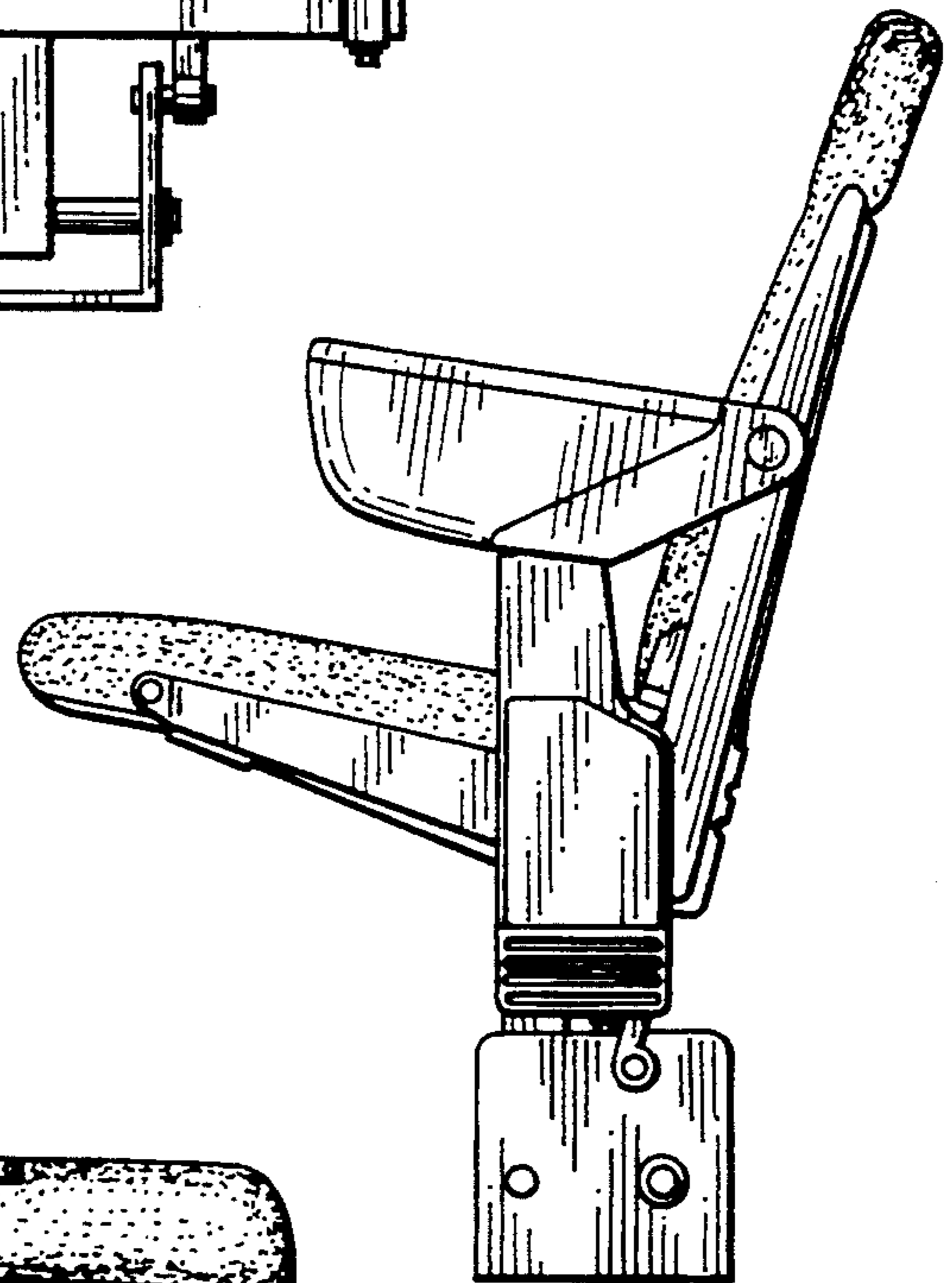


FIG. 5

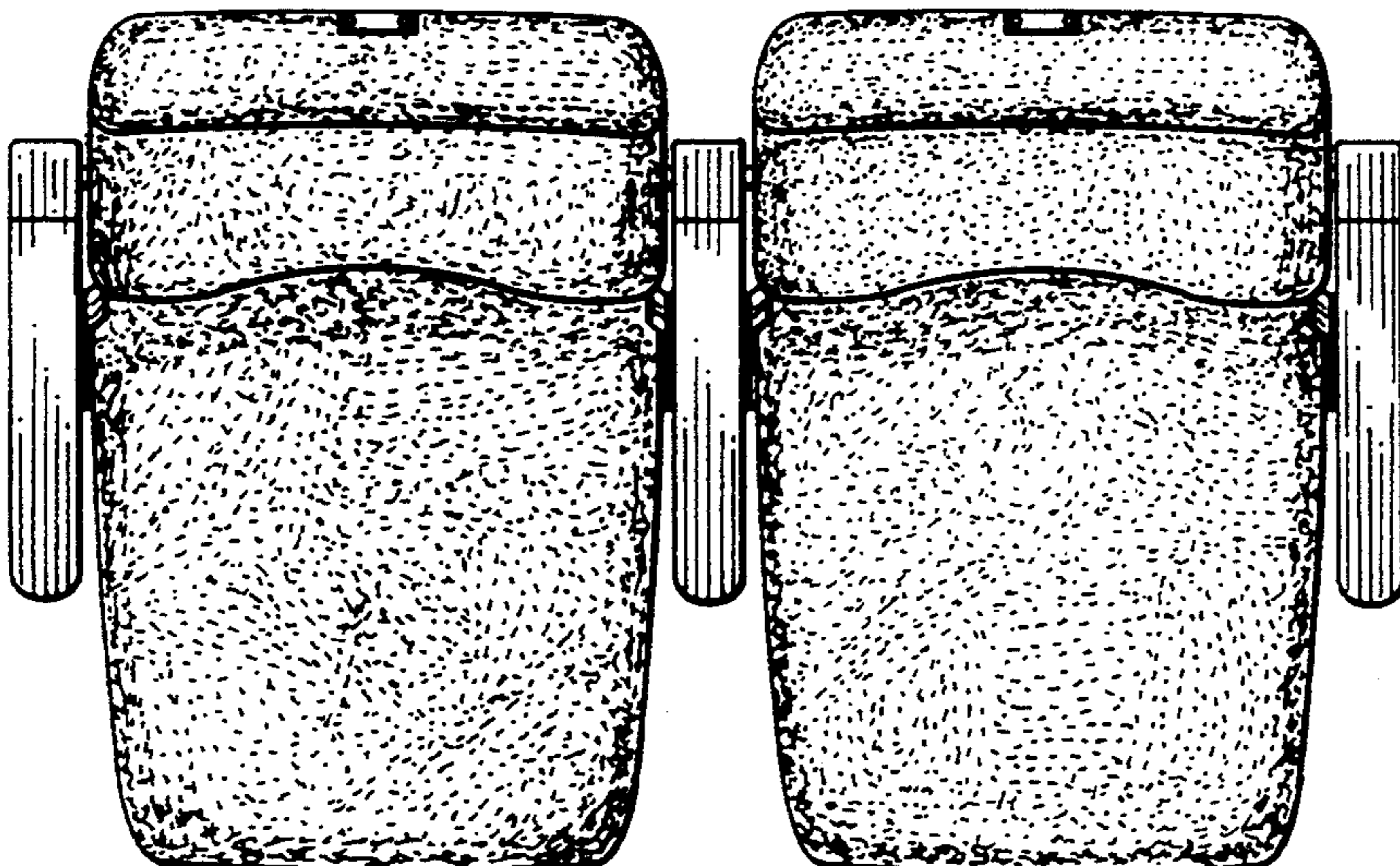


FIG. 6

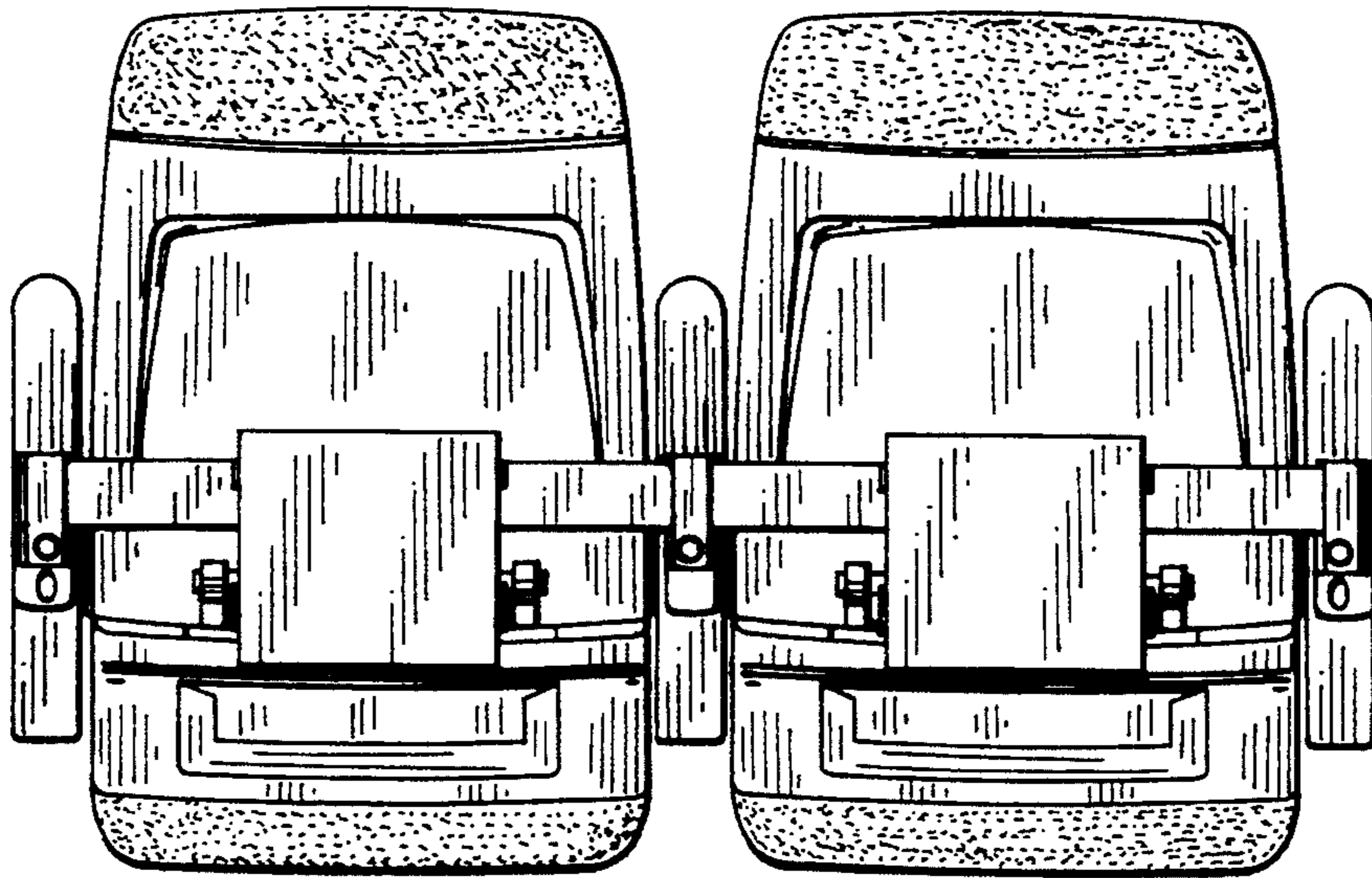


FIG. 7

