



US00D352398S

United States Patent [19]

[11] Patent Number: **Des. 352,398**

Rellinger et al.

[45] Date of Patent: **** Nov. 15, 1994**

[54] EASEL DESIGN

4,717,109 1/1988 Johnston 248/449 X
5,242,145 9/1993 Linnell 248/449

[75] Inventors: **Michael Rellinger**, Chicago; **Richard R. Gilbert**, Barrington; **Sara E. Green**, Chicago; **John Jepsen**, Grayslake, all of Ill.

FOREIGN PATENT DOCUMENTS

047179 2/1937 France 248/441.1
1493060 7/1975 United Kingdom 249/449

[73] Assignee: **Quartet Manufacturing Company**, Skokie, Ill.

Primary Examiner—Nelson C. Holtje
Assistant Examiner—J. E. Seeger
Attorney, Agent, or Firm—Martin Faier

[**] Term: **14 Years**

[57] CLAIM

[21] Appl. No.: **8,309**

The ornamental design for an easel design, as shown and described.

[22] Filed: **May 13, 1993**

[52] U.S. Cl. **D6/300; D6/311; D6/312**

DESCRIPTION

[58] Field of Search **D6/300-305, D6/308-314; 248/441.1, 460, 449; 40/152, 152.1**

FIG. 1 is a perspective view of an easel embodying the invention, in extended position.

FIG. 2 is a perspective view of the easel shown in FIG. 1, in retracted position.

FIG. 3 is a front enlarged plan view of the easel shown in FIG. 1.

FIG. 4 is a rear plan view of the easel shown in FIG. 3.

FIG. 5 is a side elevational view of the easel shown in FIG. 3 in set up position.

[56] References Cited

U.S. PATENT DOCUMENTS

2,958,490 11/1960 Johnson 248/460
4,558,522 12/1985 Lance 248/449 X

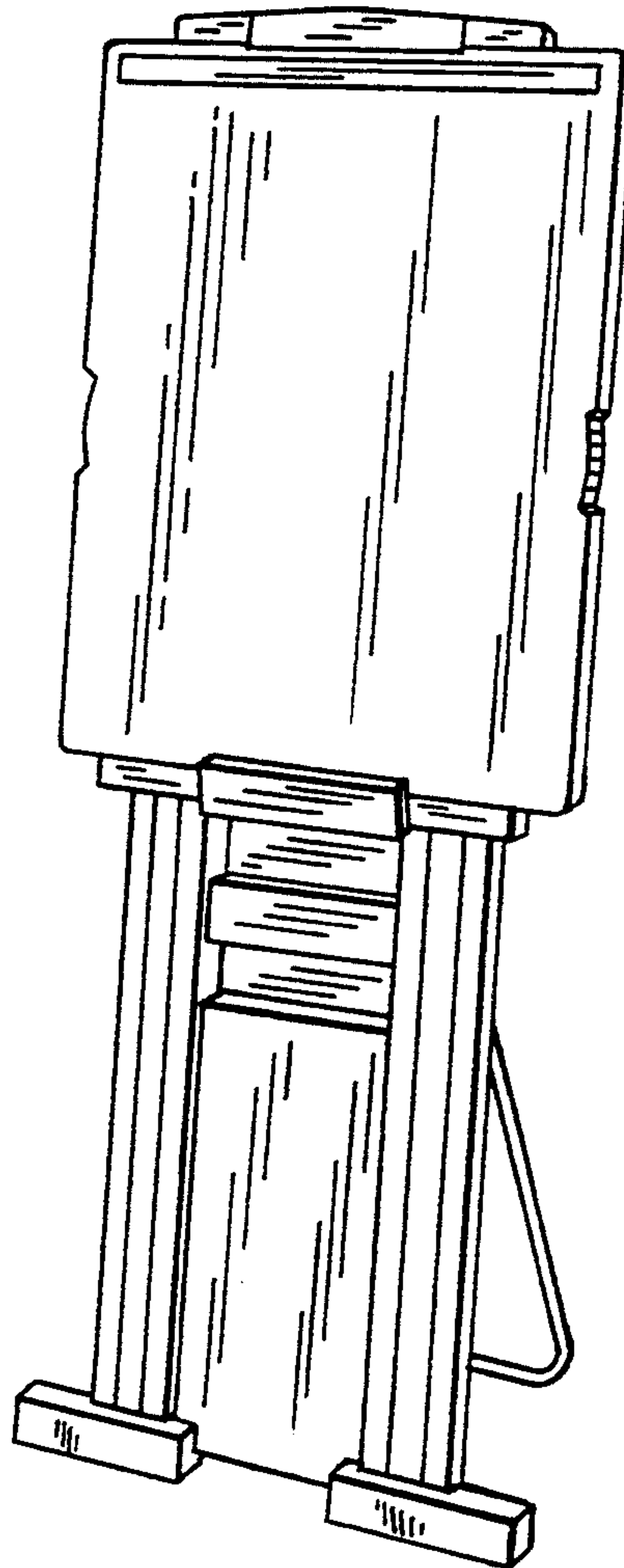


FIG. 1

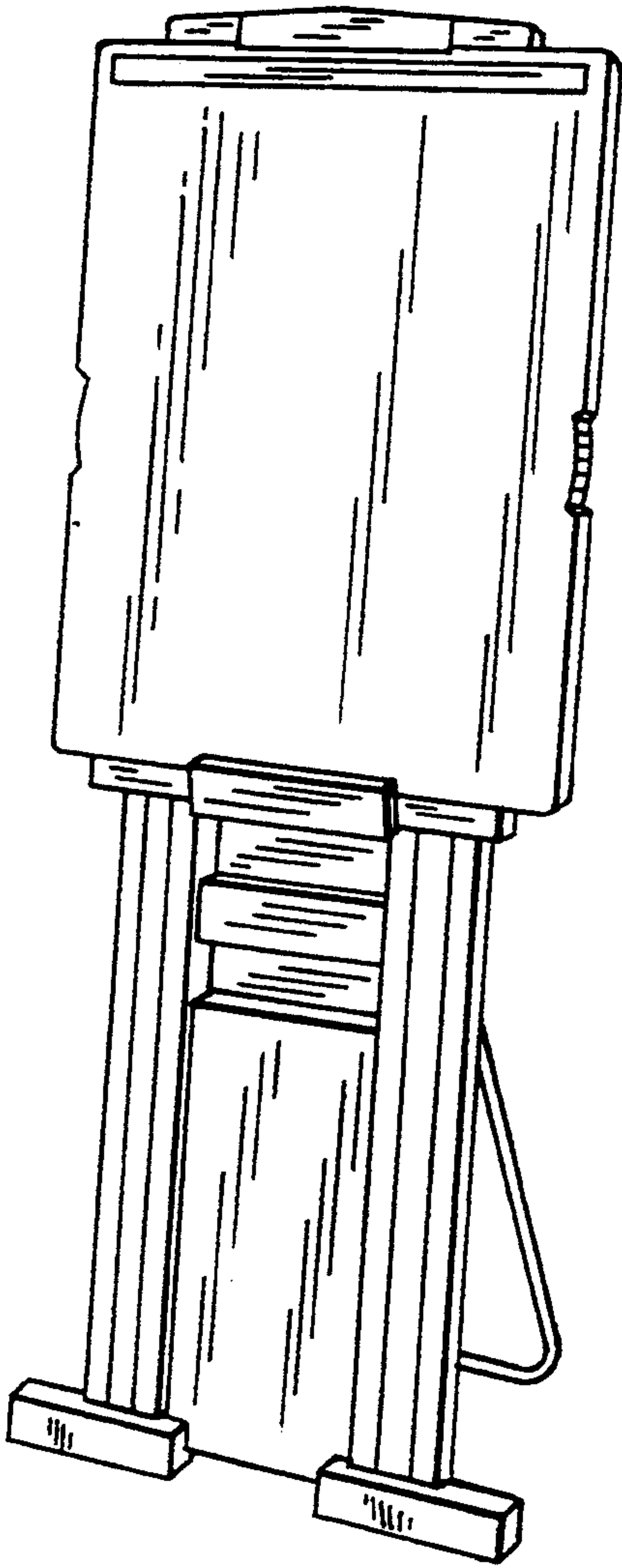


FIG. 3

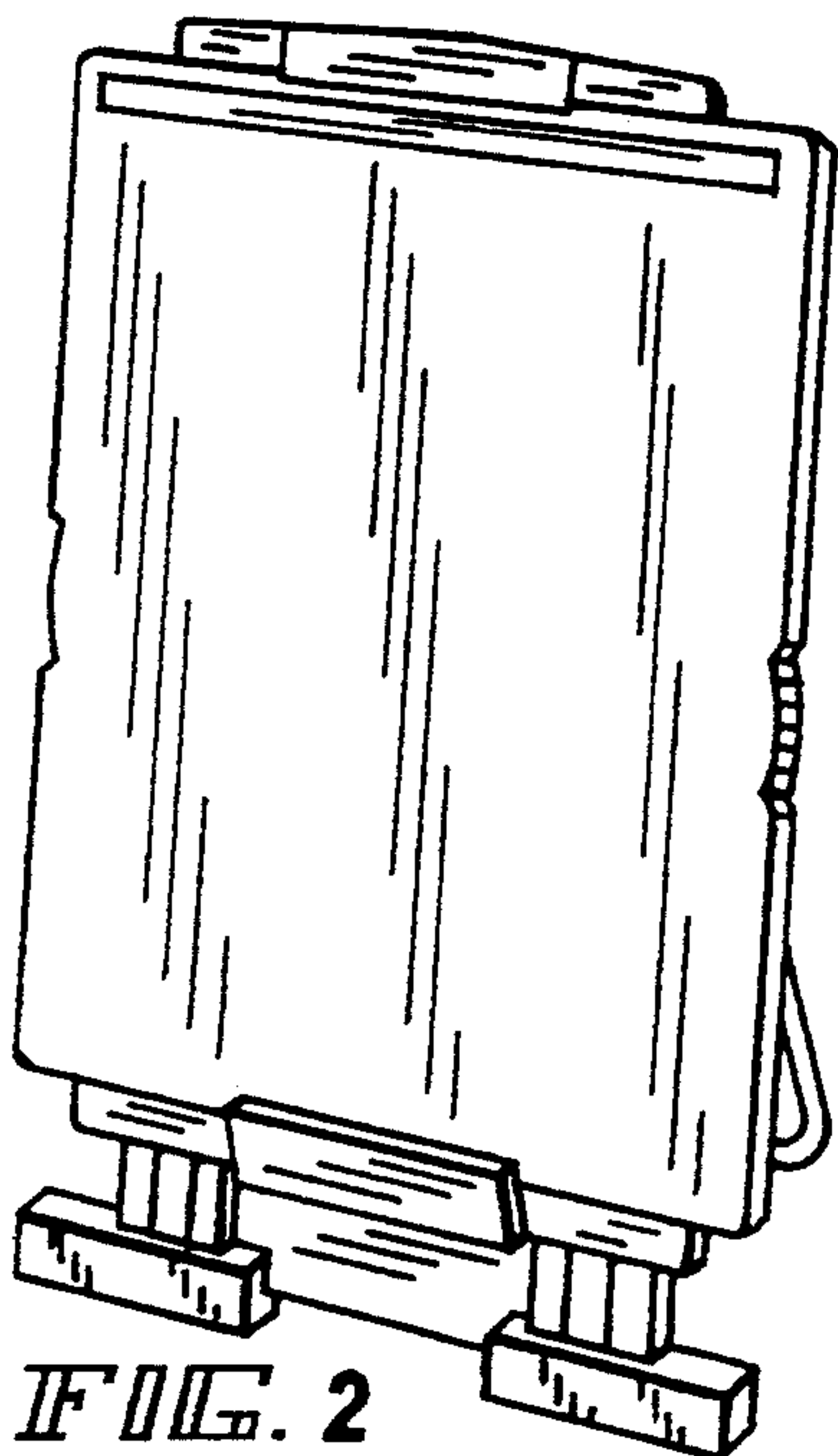
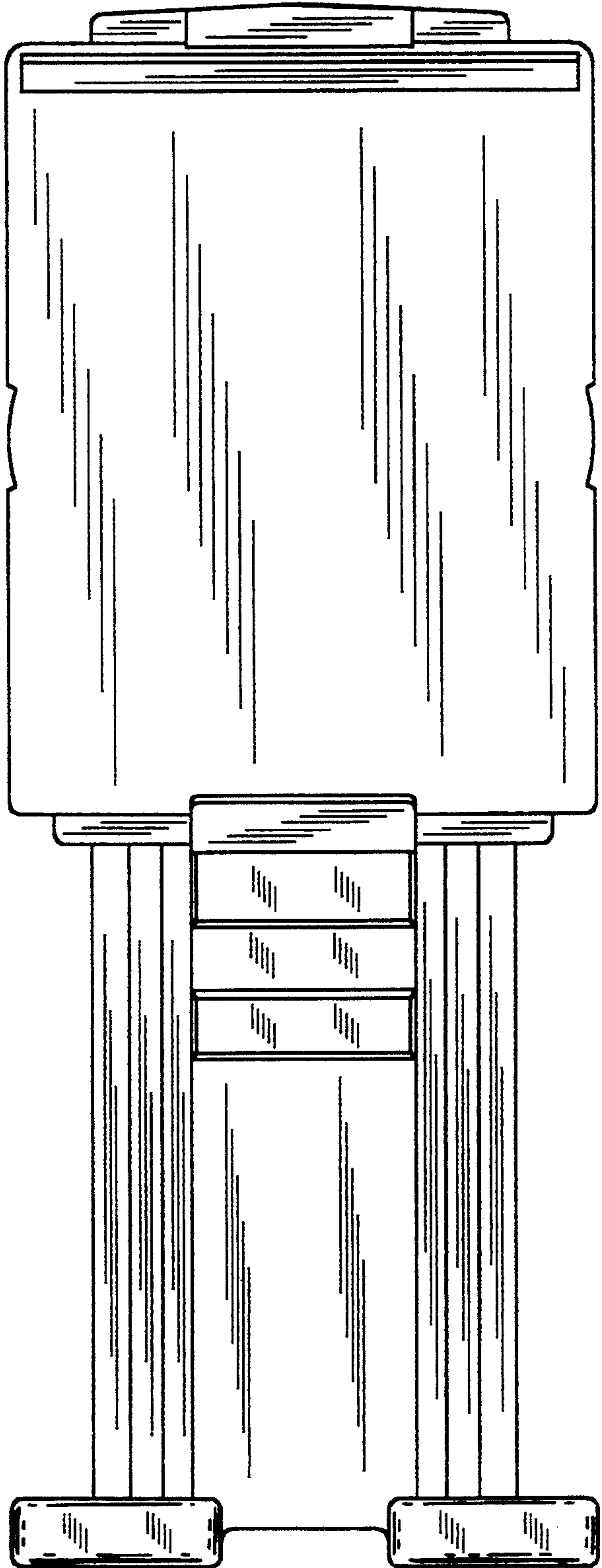


FIG. 2

FIG. 4

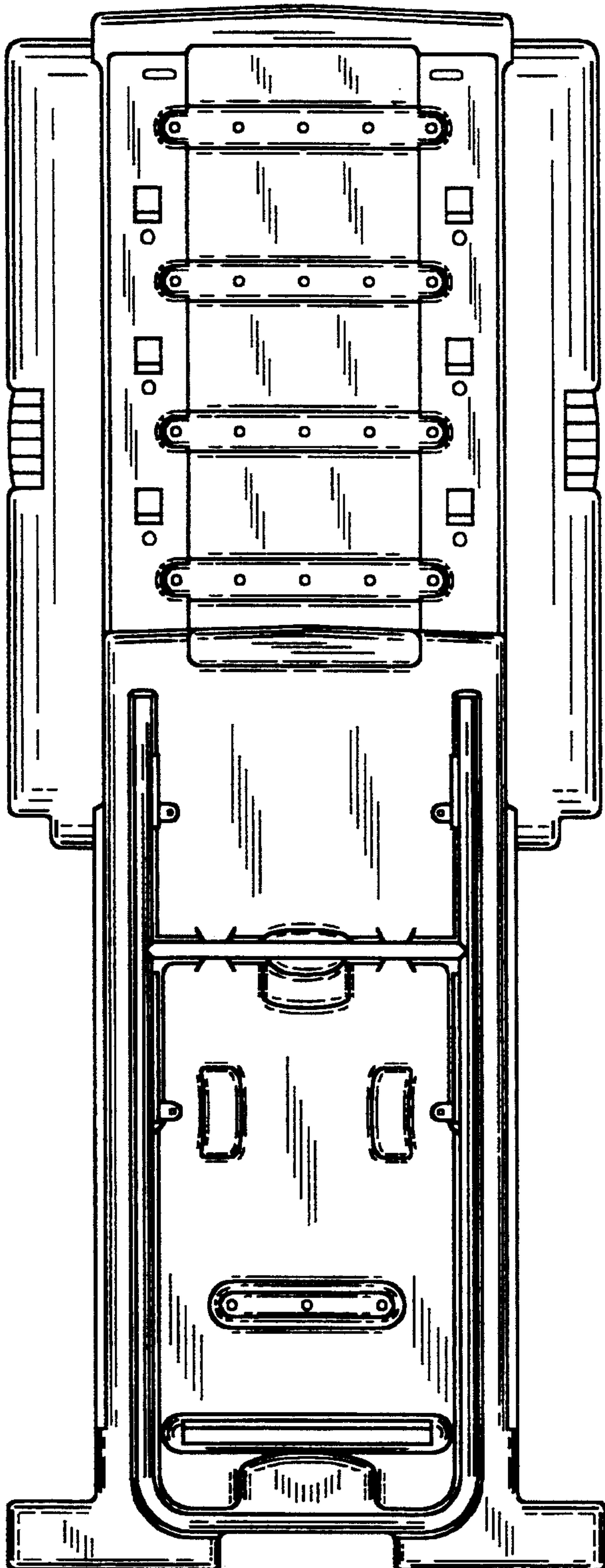


FIG. 5

