



US00D352394S

United States Patent [19]

[11] Patent Number: **Des. 352,394**

Deioma et al.

[45] Date of Patent: **** Nov. 15, 1994**

[54] **COMBINED SKI AND BOOT BAG**

[76] Inventors: **David B. Deioma; David M. Deioma**, both of 35 Greentree Rd., Chagrin Falls, Ohio 44022

[**] Term: **14 Years**

[21] Appl. No.: **13,599**

[22] Filed: **Sep. 28, 1993**

[52] U.S. Cl. **D3/261**

[58] Field of Search **D3/261, 254; 206/315.1, 206/315.11, 579; 224/917; 280/814; 294/147**

[56] **References Cited**

U.S. PATENT DOCUMENTS

D. 267,443	1/1983	Salas	D3/261
D. 302,902	8/1989	Kaufman	D3/261
4,402,355	9/1983	Wymore et al.	206/315.1
4,746,159	5/1988	Webb et al.	206/315.1 X
4,860,935	8/1989	Paylinsky	294/147 X
4,867,307	9/1989	Bovee	280/814 X
5,012,921	5/1991	Becker	D3/261 X

Primary Examiner—A. Hugo Word

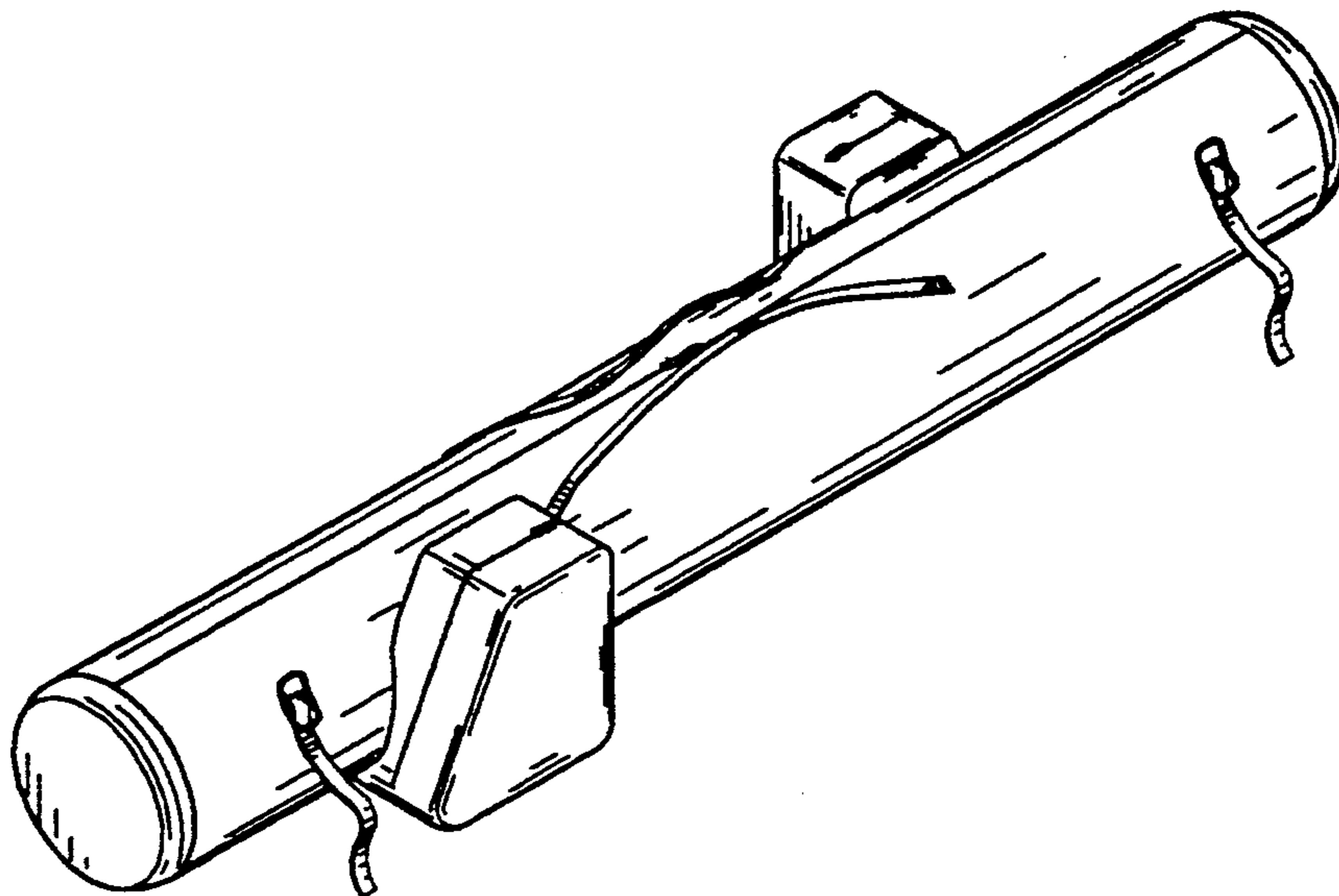
Assistant Examiner—Doris V. Coles
Attorney, Agent, or Firm—Pearne, Gordon, McCoy & Granger

[57] **CLAIM**

The ornamental design for a combined ski and boot bag, as shown and described.

DESCRIPTION

FIG. 1 is a perspective view of one embodiment of our new design of a combined ski and boot bag; FIG. 2 is an elevational view of one side of thereof; FIG. 3 is an elevational view of the other side of the embodiment; FIG. 4 is a top plan view; FIG. 5 is a bottom plan view; FIG. 6 is an end elevational view of FIG. 1; FIG. 7 is a perspective view of a second embodiment of our new design of a combined ski and boot bag; FIG. 8 is an elevational plan view of one side of FIG. 7; FIG. 9 is an elevational plan view of the other side; FIG. 10 is a top plan view of FIG. 7; FIG. 11 is a bottom plan view of FIG. 7; and, FIG. 12 is an end elevational view of FIG. 7.



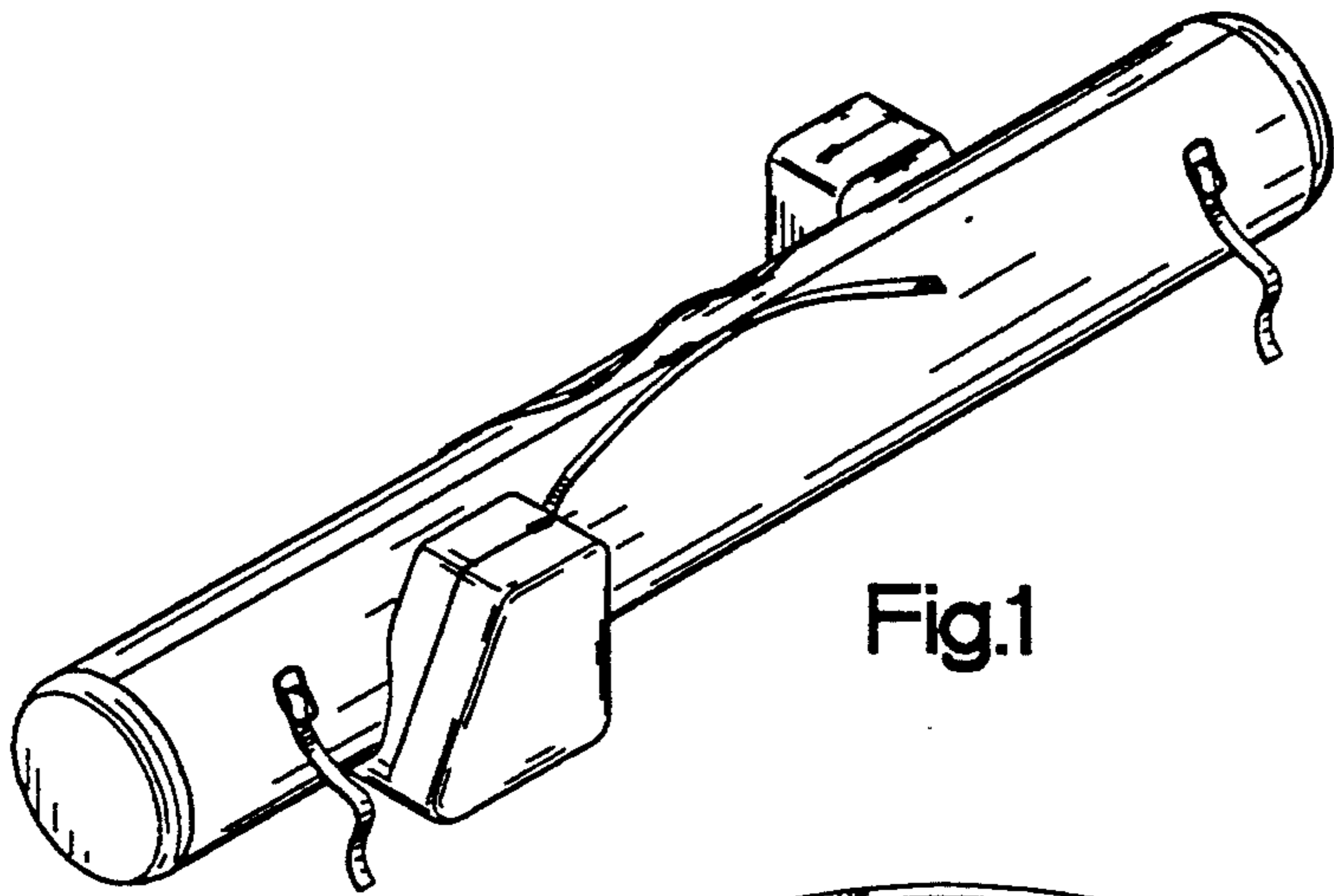


Fig.1

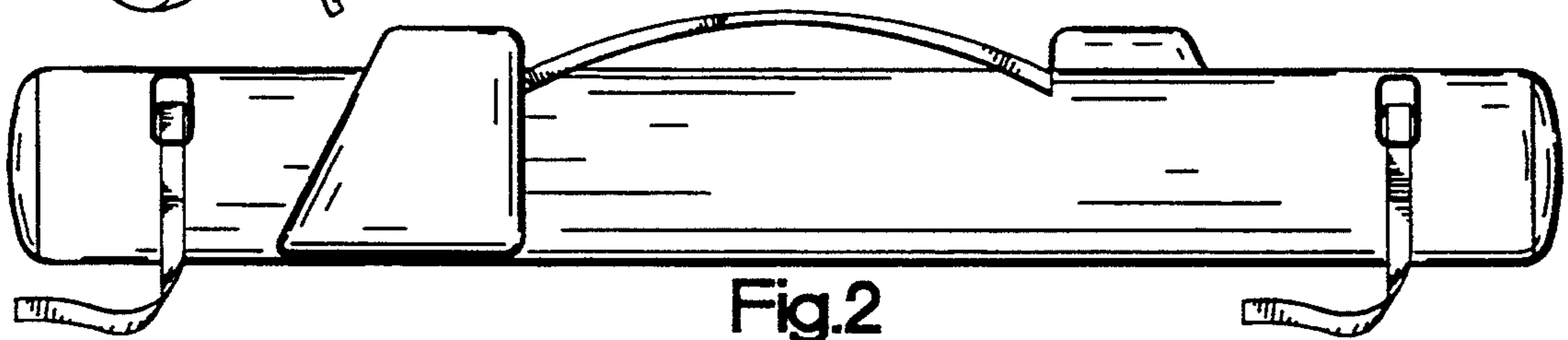


Fig.2

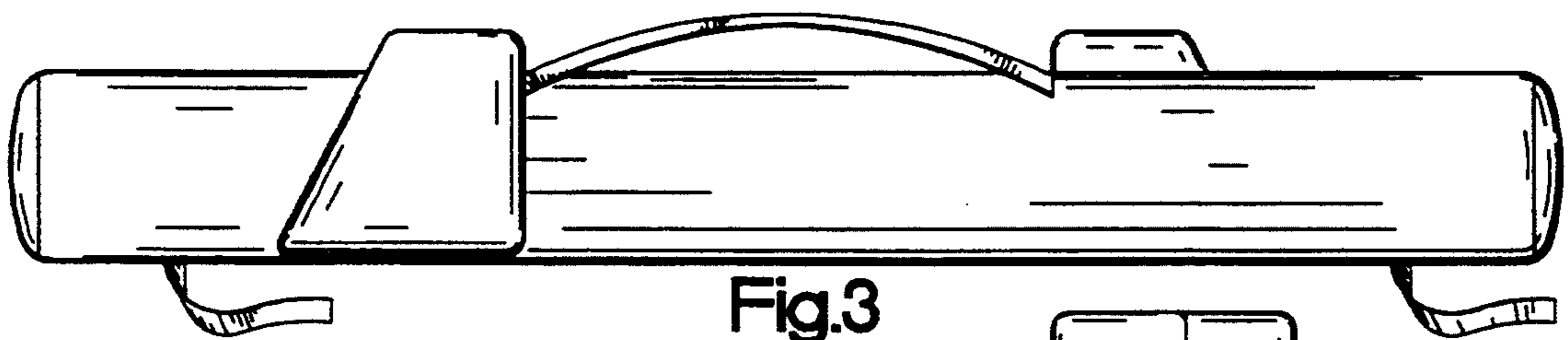


Fig.3

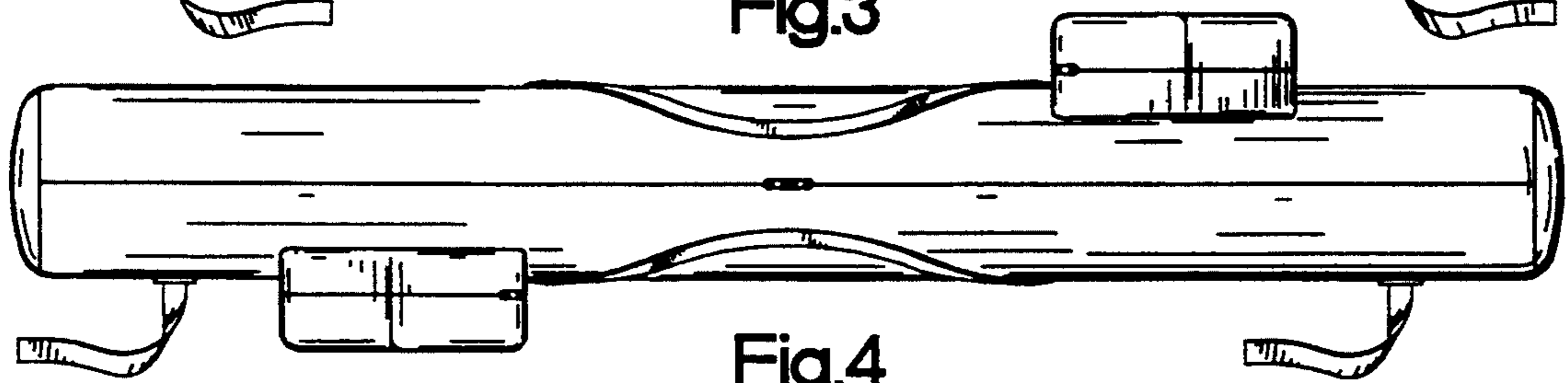


Fig.4

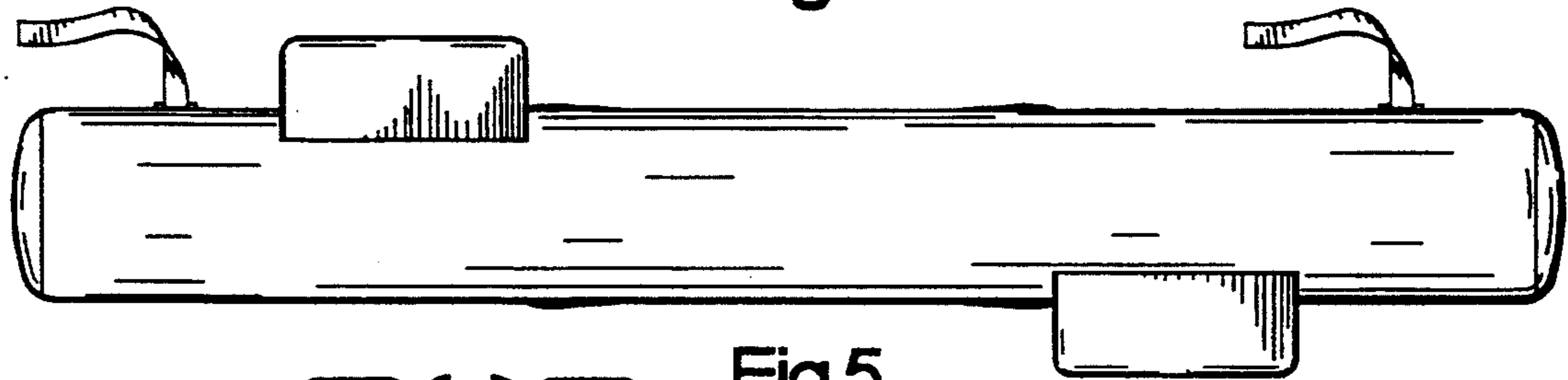


Fig.5

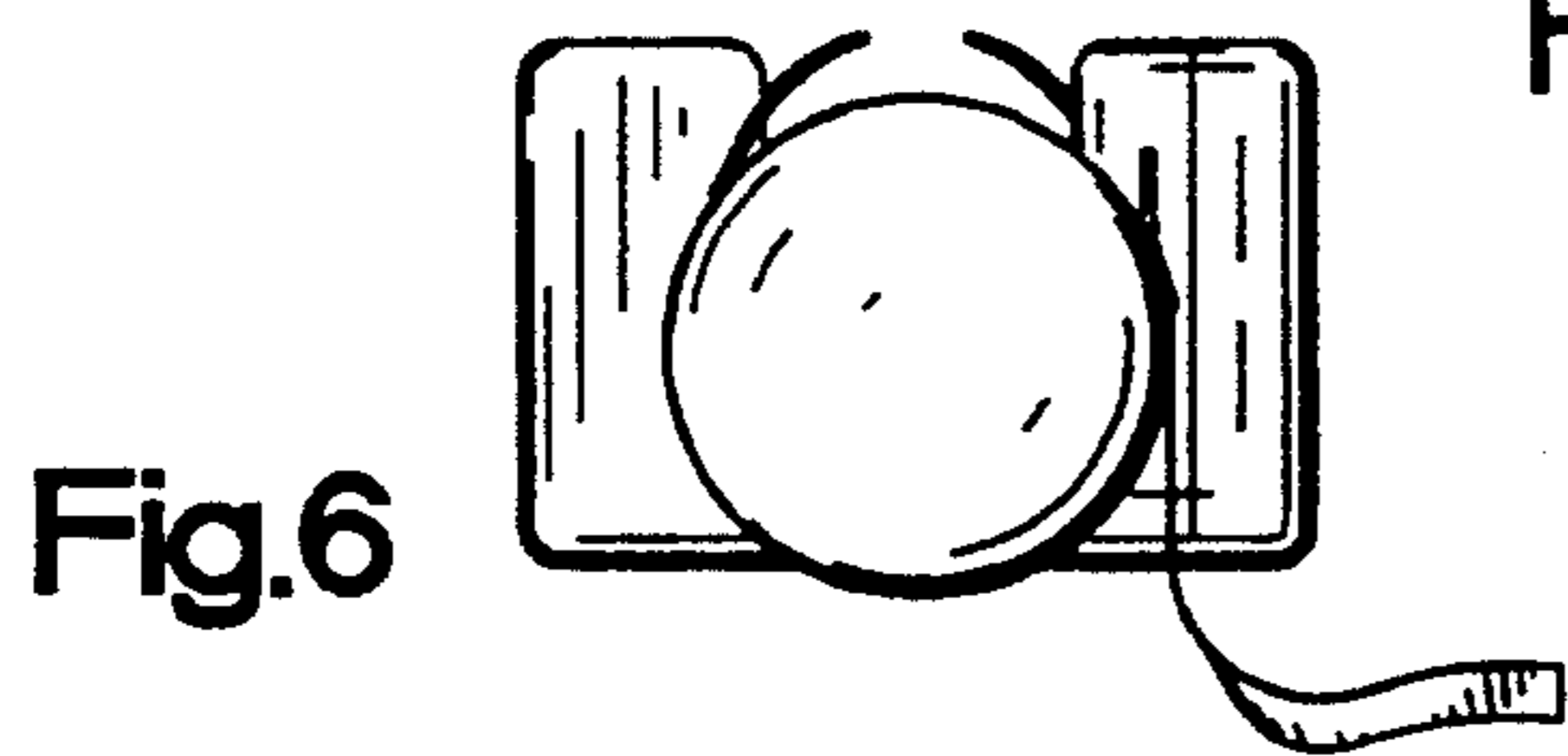


Fig.6

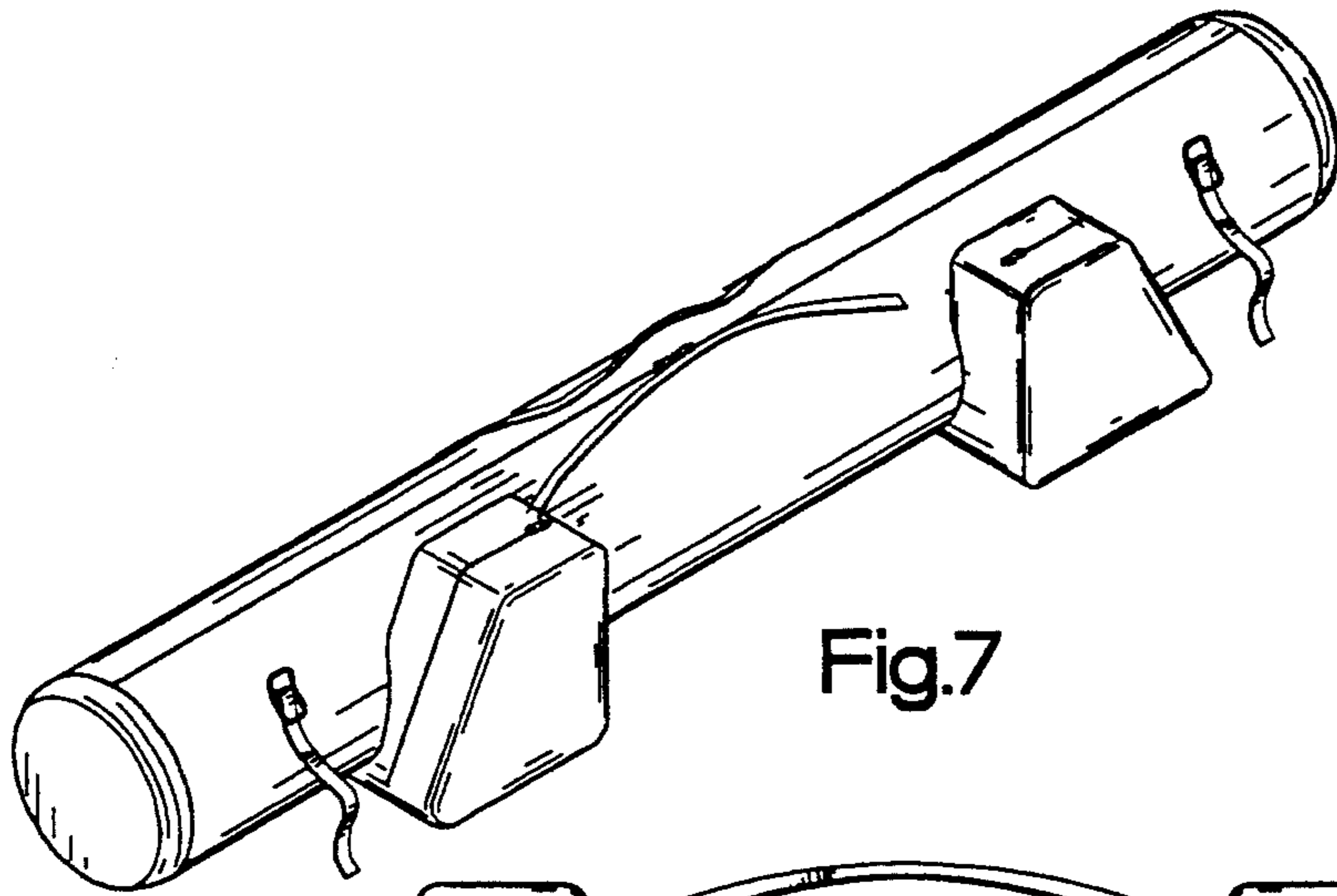


Fig.7

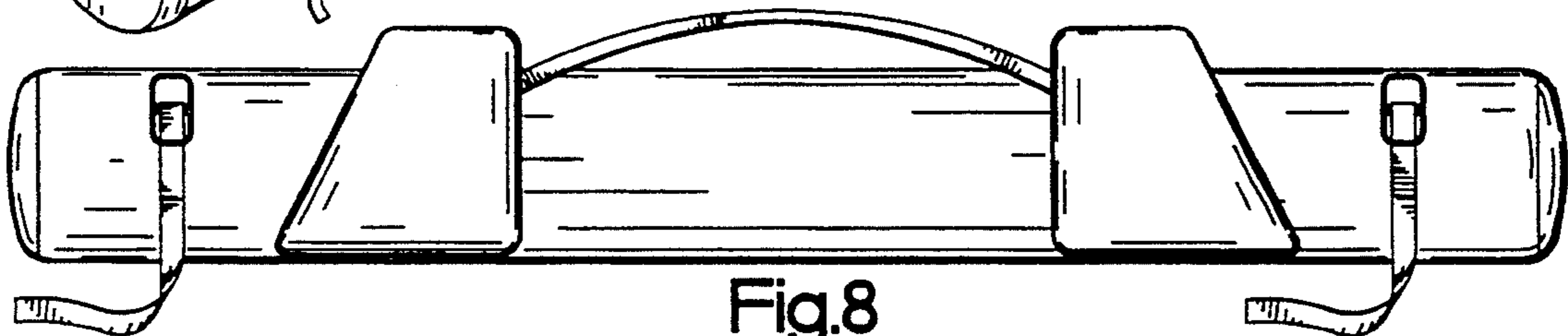


Fig.8

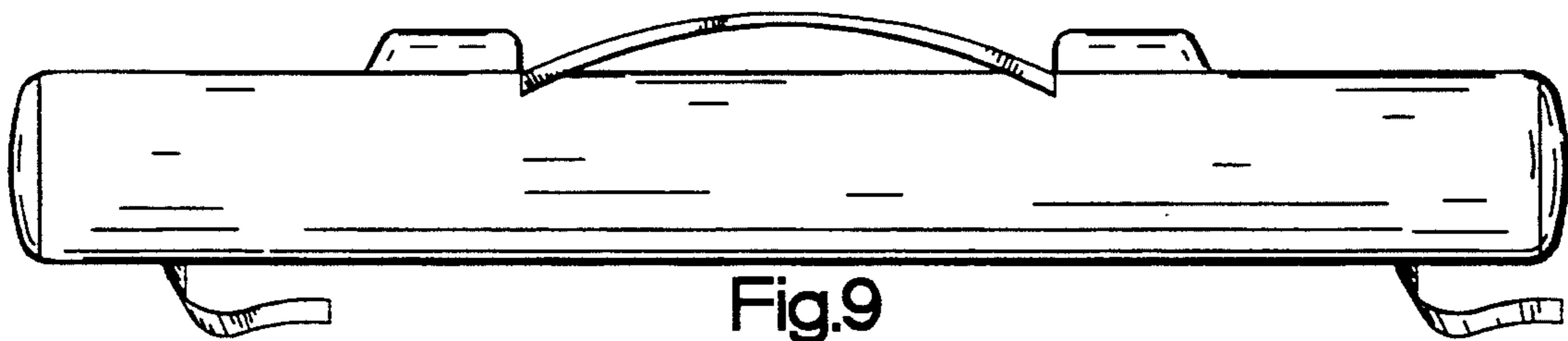


Fig.9

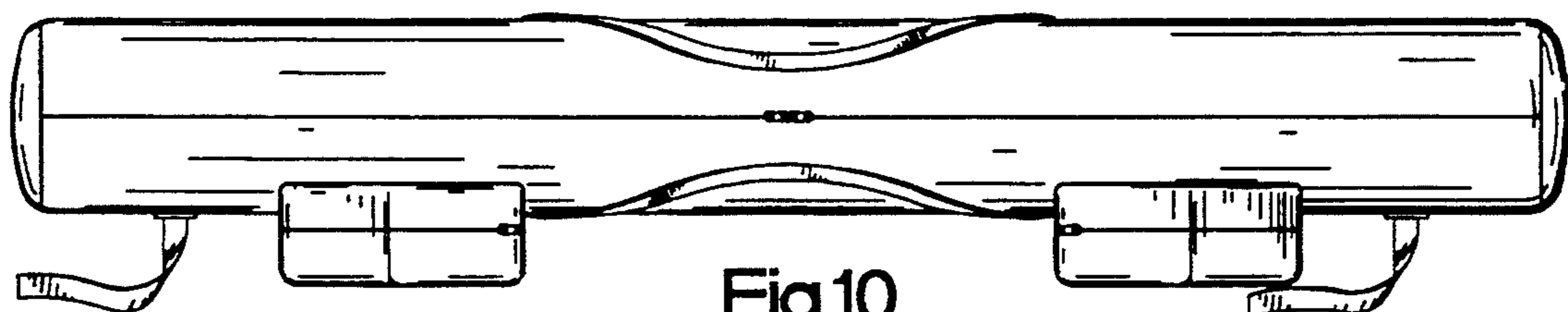


Fig.10

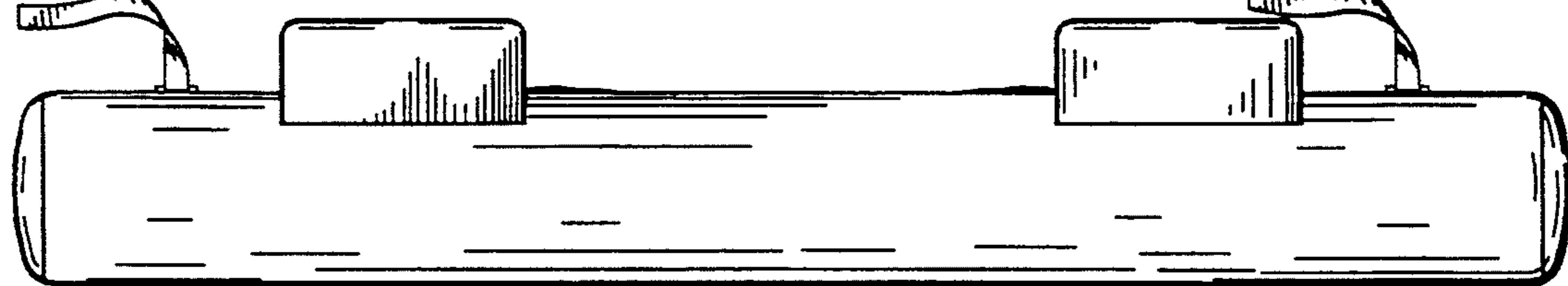


Fig.11

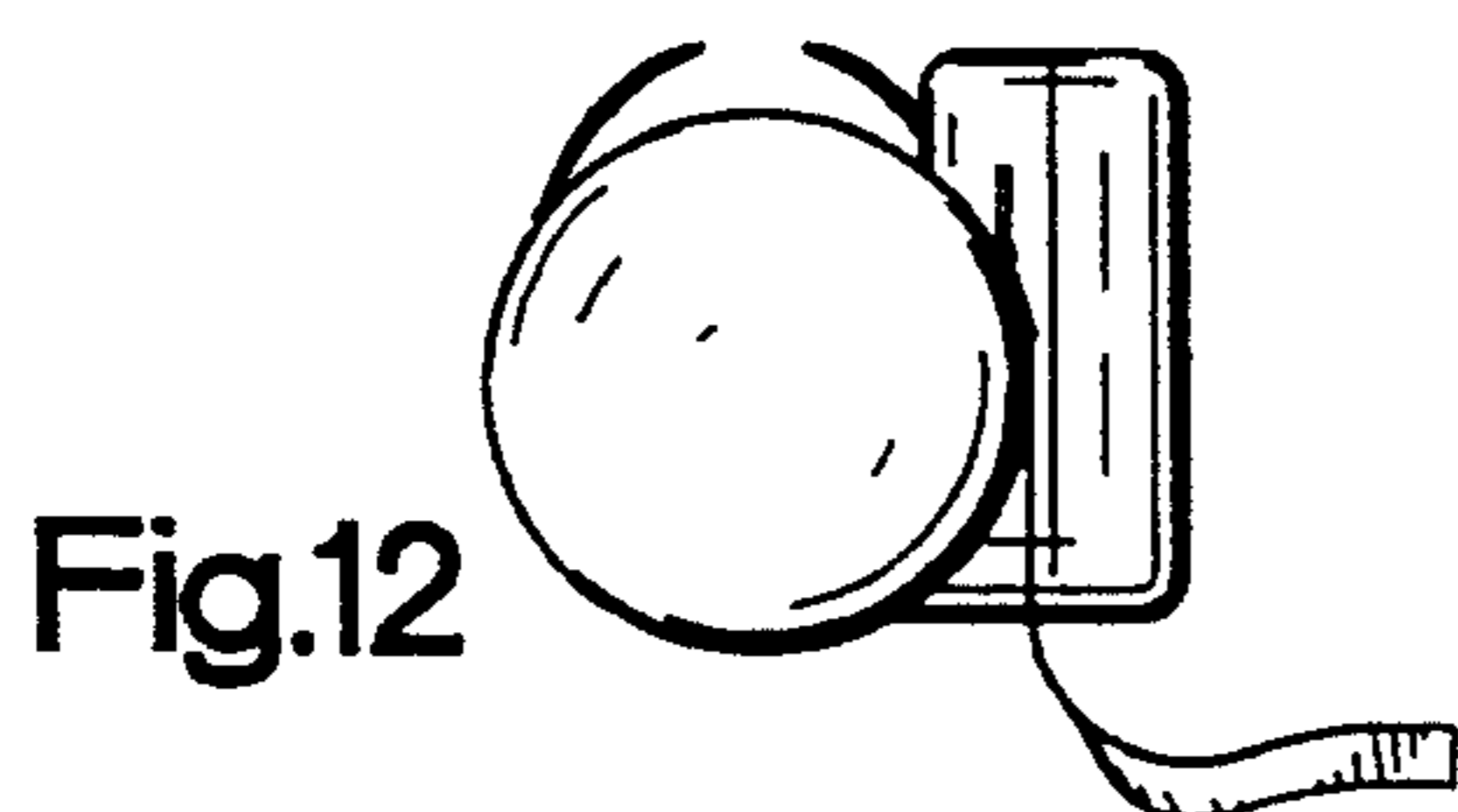


Fig.12