



US00D352393S

United States Patent [19]

[11] Patent Number: **Des. 352,393**

Fiore

[45] Date of Patent: **** Nov. 15, 1994**

[54] **TACKLE BOX**

[75] Inventor: **Joseph F. Fiore, Lebanon, Pa.**

[73] Assignee: **Doskocil Manufacturing Company, Inc., Arlington, Tex.**

[**] Term: **14 Years**

[21] Appl. No.: **93**

[22] Filed: **Oct. 5, 1992**

[52] U.S. Cl. **D3/260; D3/905**

[58] Field of Search **D3/38, 74; 206/315.11; 312/269; 43/54.1, 57.1; 220/520, 318**

[56] **References Cited**

U.S. PATENT DOCUMENTS

D. 299,586	1/1989	Lanius	D3/38
D. 308,915	7/1990	Lanius	D3/38
3,985,409	10/1976	Kneier	D3/38 X
4,085,987	4/1978	Vartdal	312/269
4,139,096	2/1979	Sieger	206/315.11
5,176,281	1/1993	Fiore	206/315.11 X

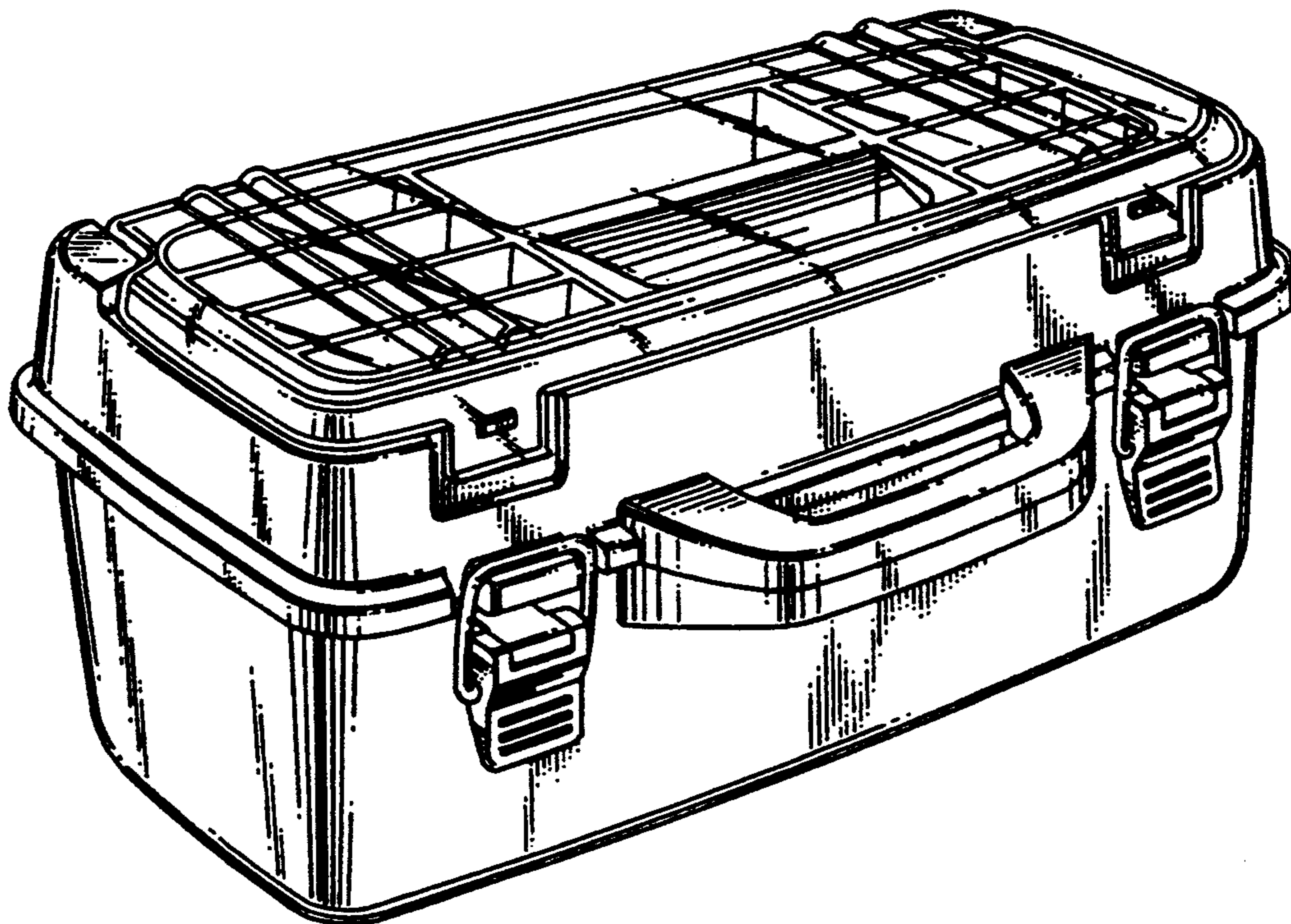
Primary Examiner—A. Hugo Word
Assistant Examiner—Doris V. Coles
Attorney, Agent, or Firm—Andrew J. Dillon

[57] **CLAIM**

The ornamental design for a tackle box, as shown and described.

DESCRIPTION

FIG. 1 is a perspective view of one embodiment of a tackle box embodying my design;
 FIG. 2 is a front elevational view of the tackle box as shown in FIG. 1;
 FIG. 3 is an end elevational view of the tackle box as shown in FIG. 1, the opposite end elevational view being a mirror image thereof;
 FIG. 4 is a top plan view of the tackle box as shown in FIG. 1;
 FIG. 5 is a bottom plan view of the tackle box as shown in FIG. 1;
 FIG. 6 is a rear elevational view of the tackle box as shown in FIG. 1;
 FIG. 7 is a perspective view of a tackle box embodying a modification of my design as depicted in FIG. 1;
 FIG. 8 is a front elevational view of the tackle box as shown in FIG. 7;
 FIG. 9 is an end view of the tackle box as shown in FIG. 7, the opposite end elevational view being a mere image thereof;
 FIG. 10 is a top plan view of the tackle box as shown in FIG. 7;
 FIG. 11 is a bottom plan view of the tackle box as shown in FIG. 7; and,
 FIG. 12 is a rear elevational view of the tackle box as shown in FIG. 7.



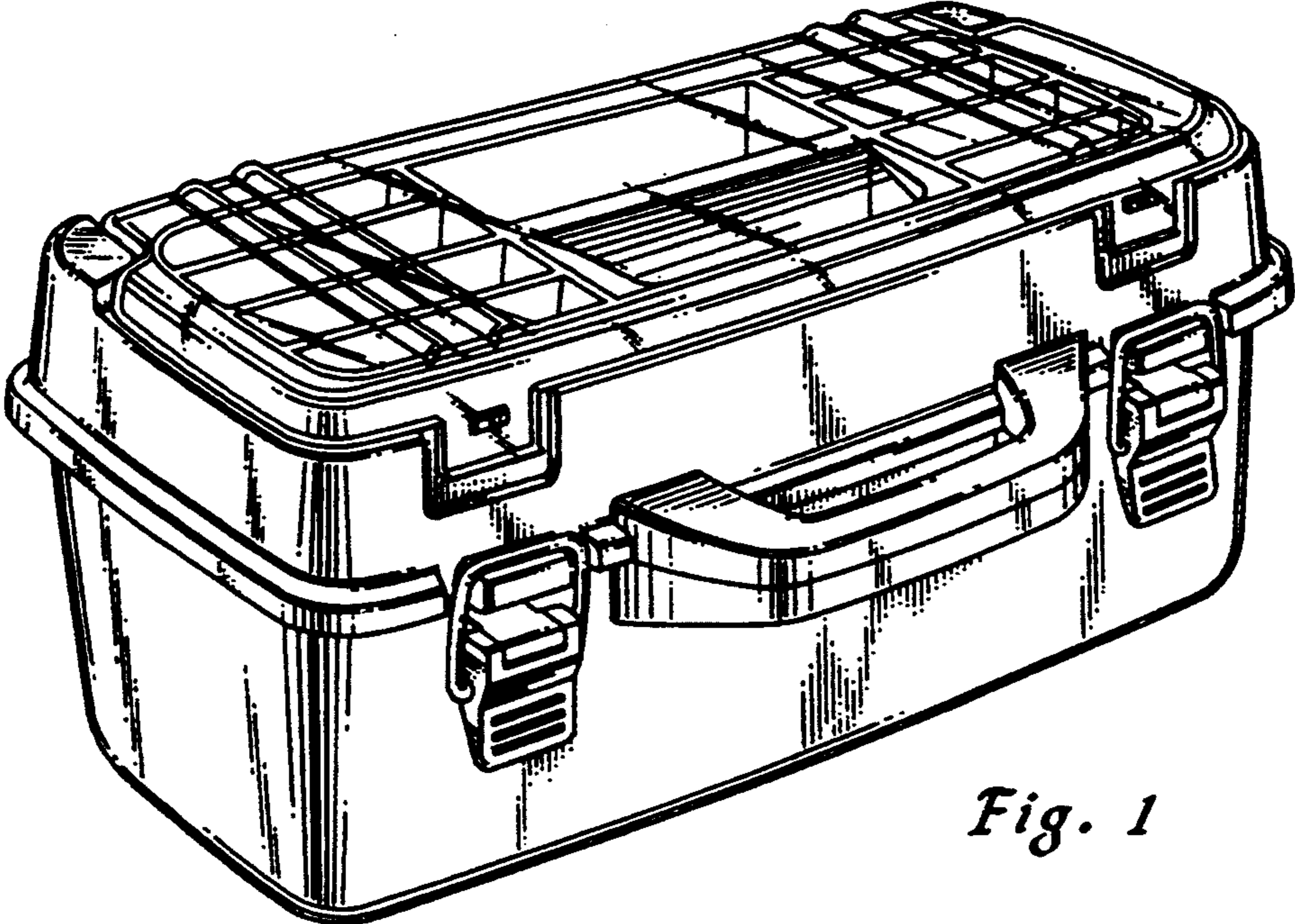


Fig. 1

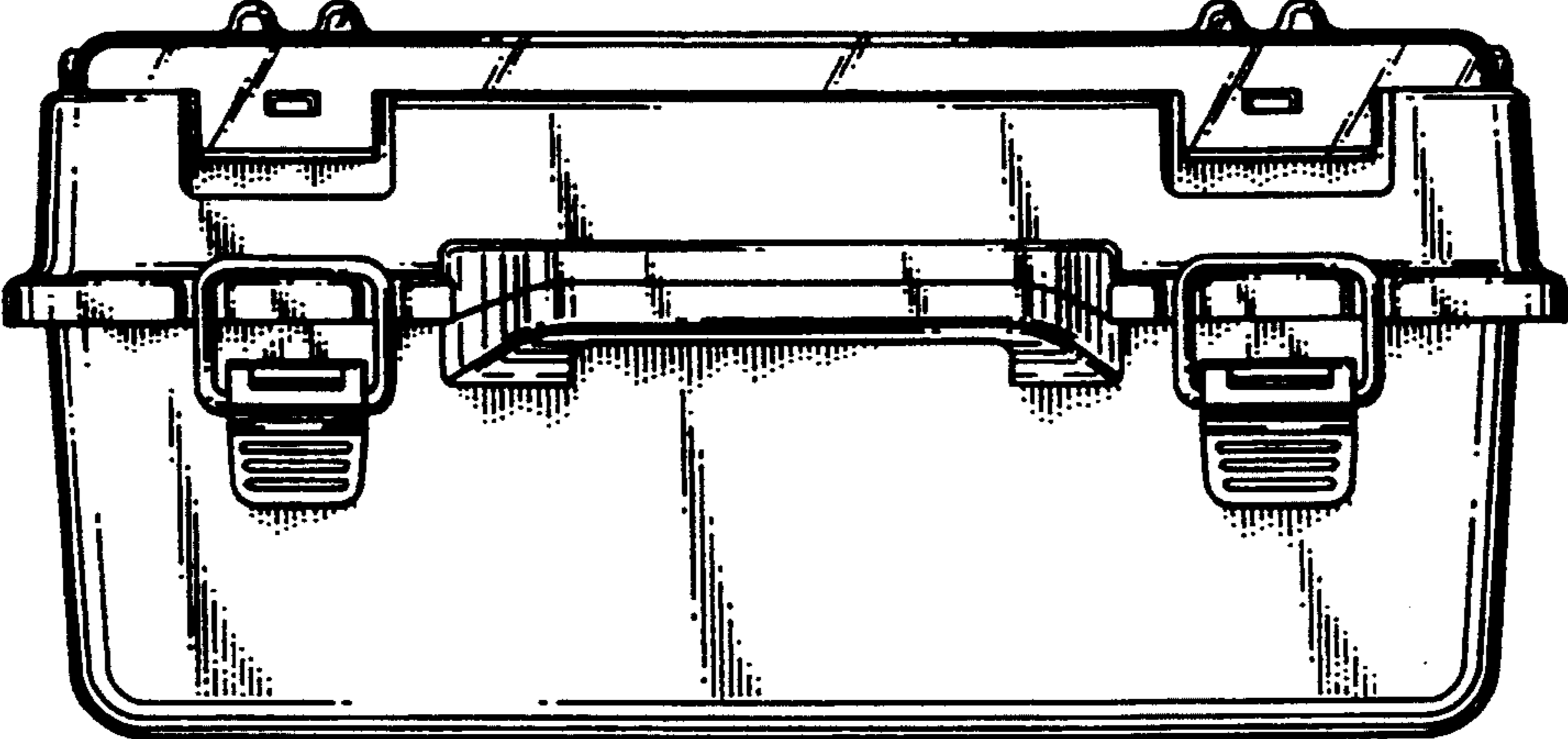


Fig. 2

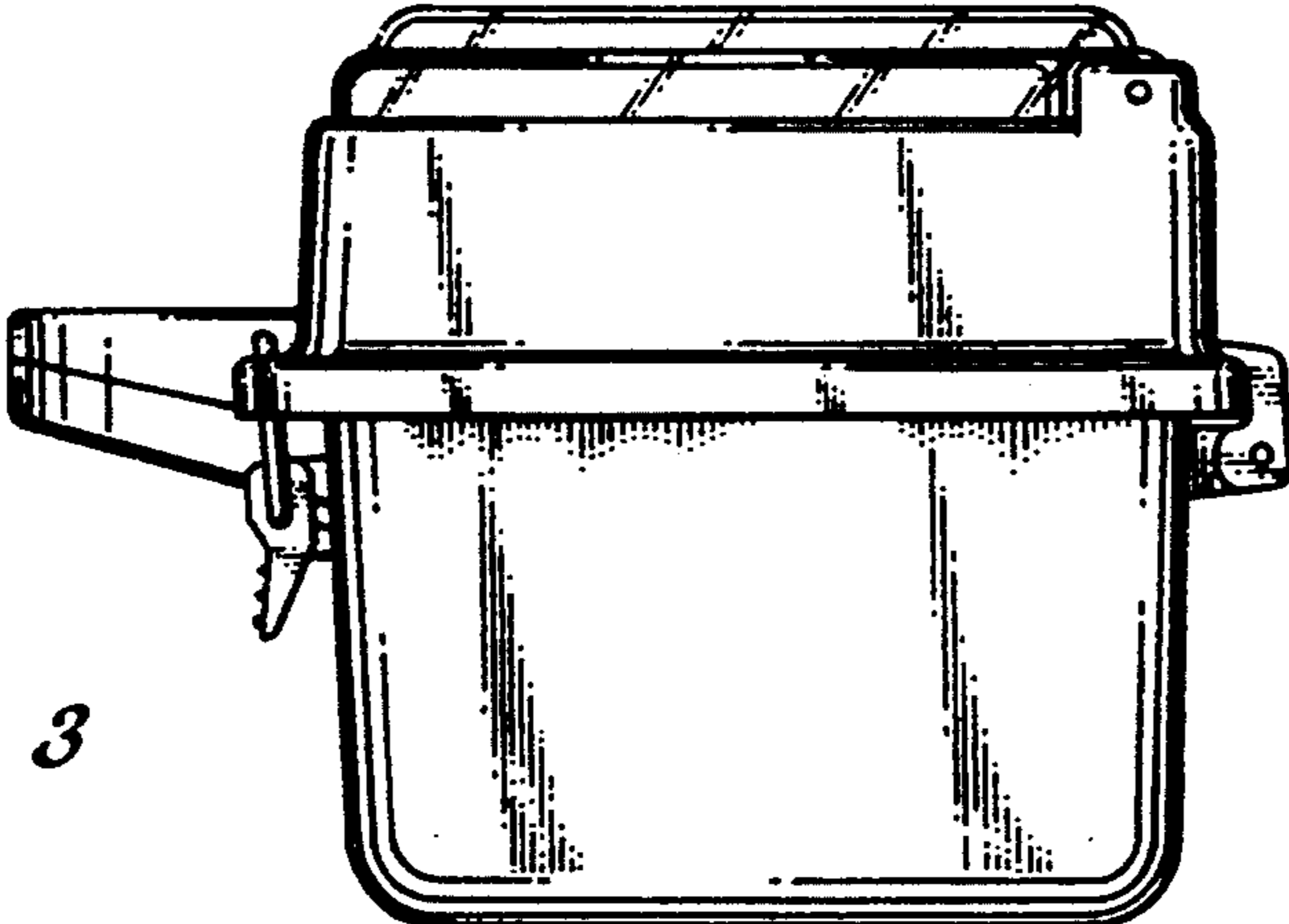


Fig. 3

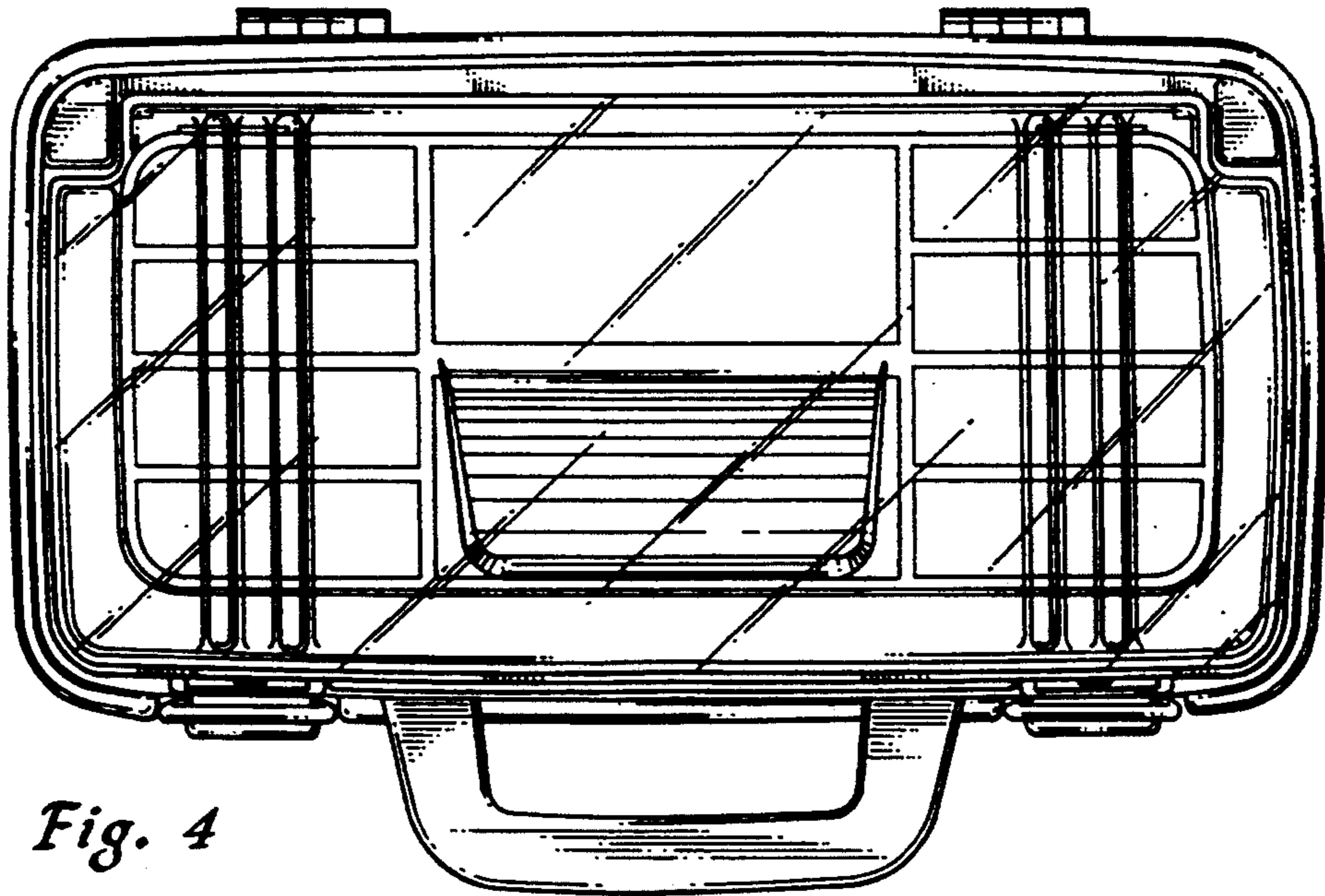


Fig. 4

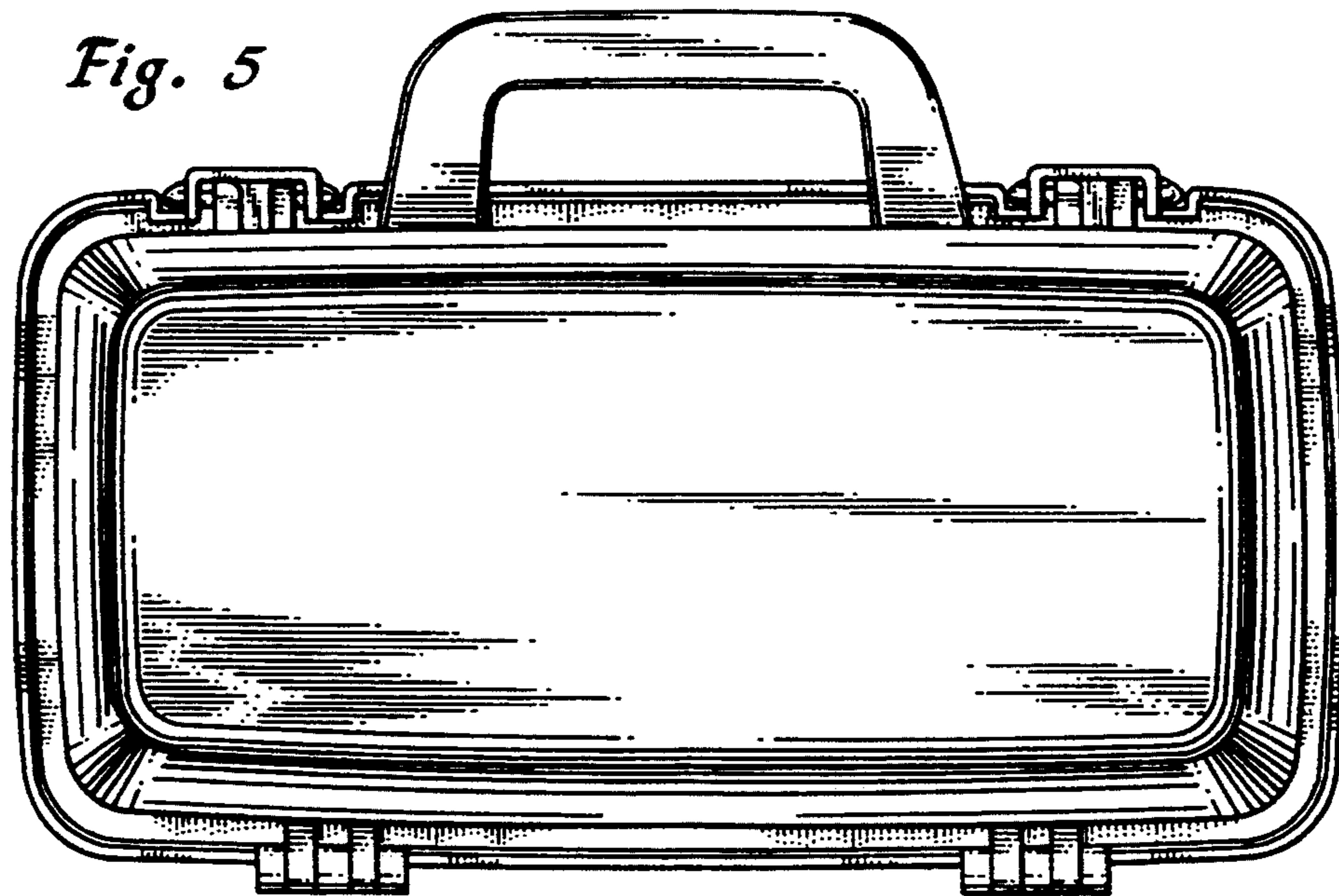
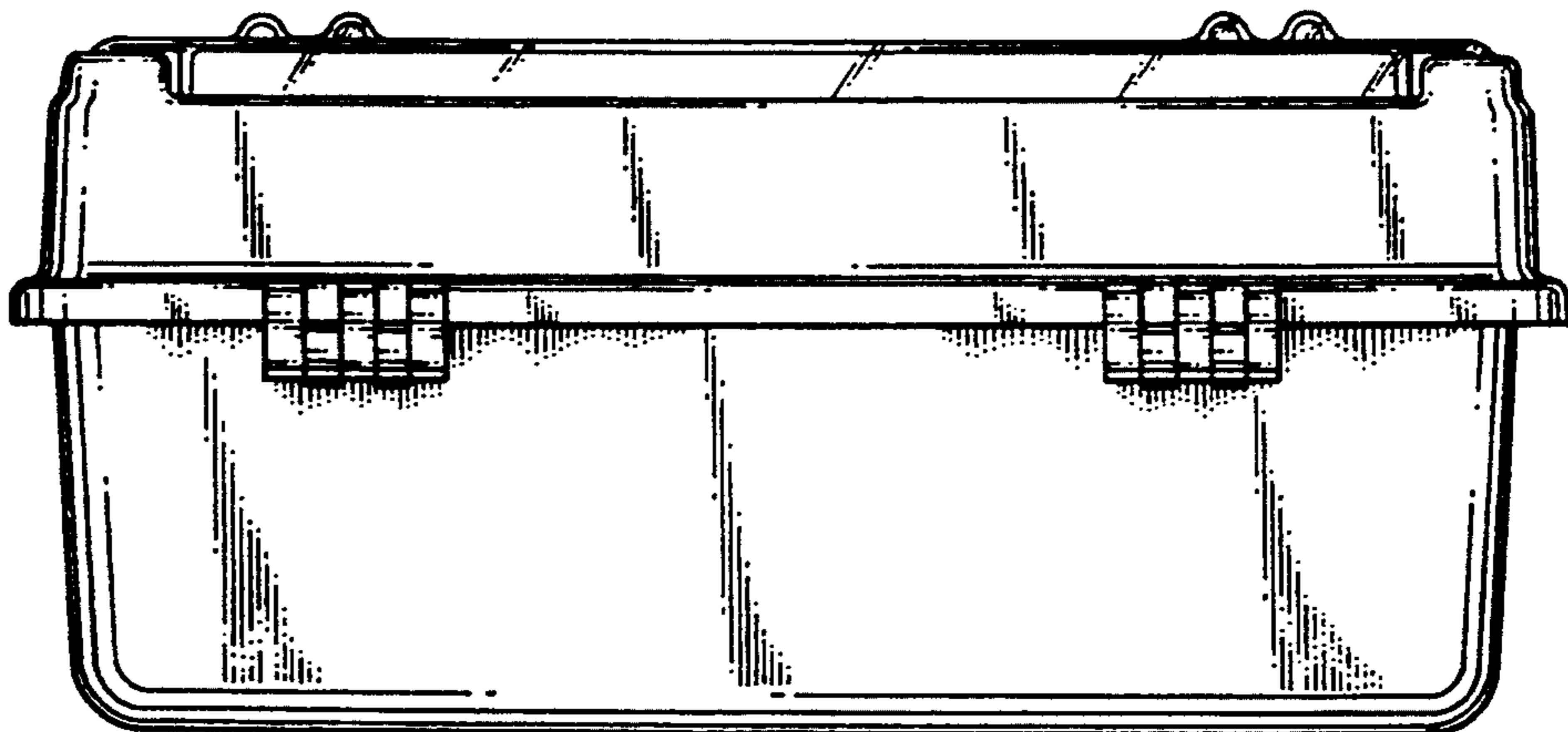


Fig. 5

Fig. 6



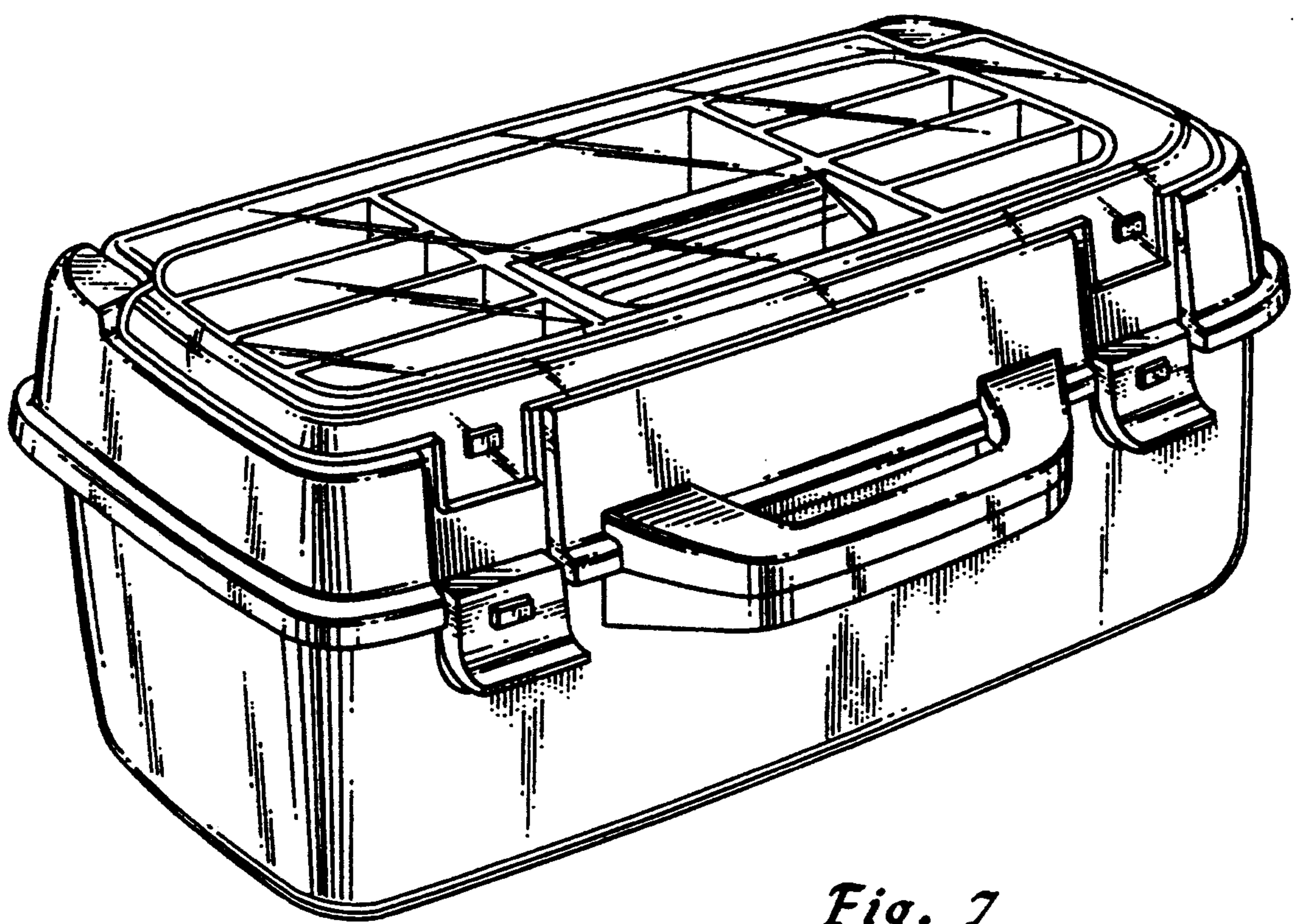


Fig. 7

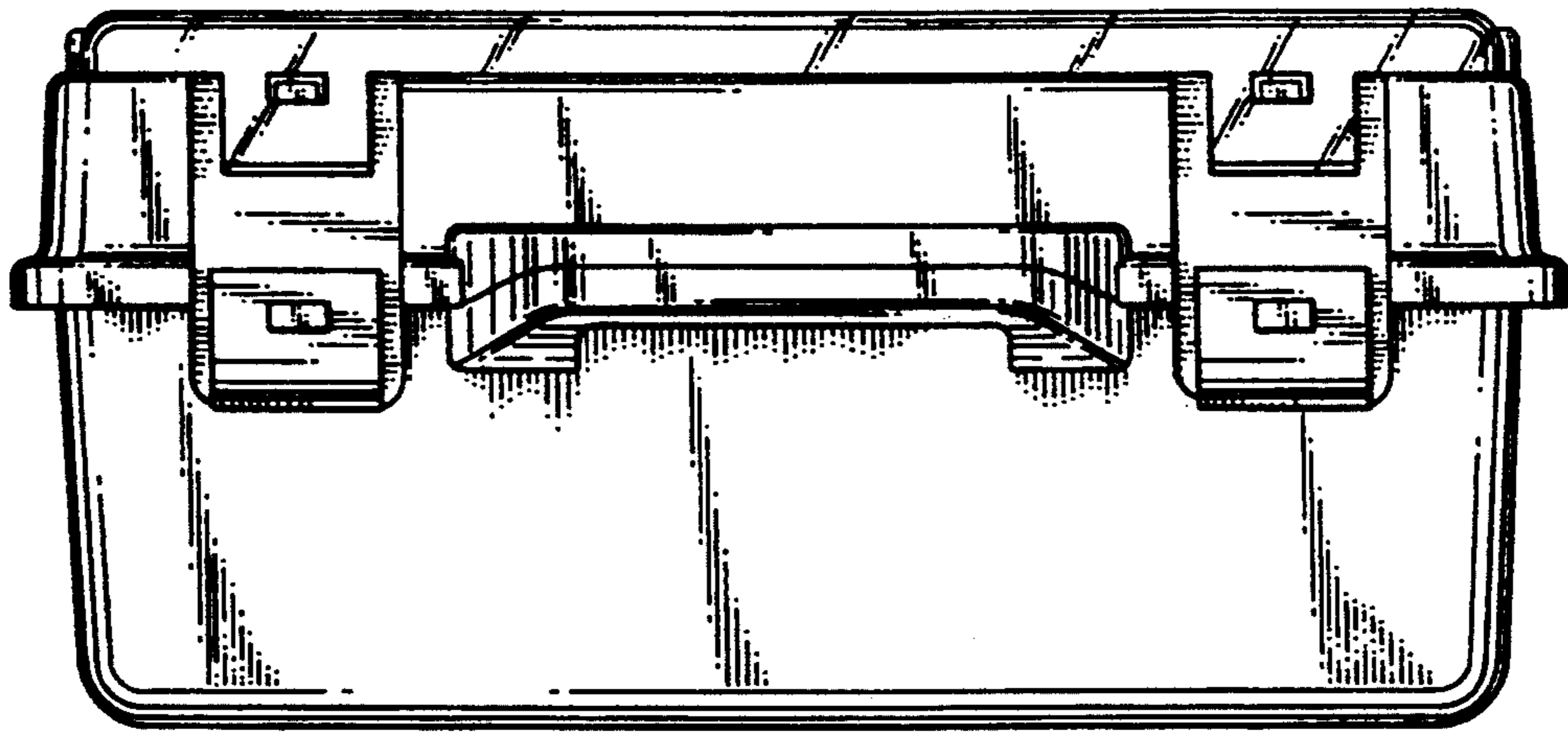


Fig. 8

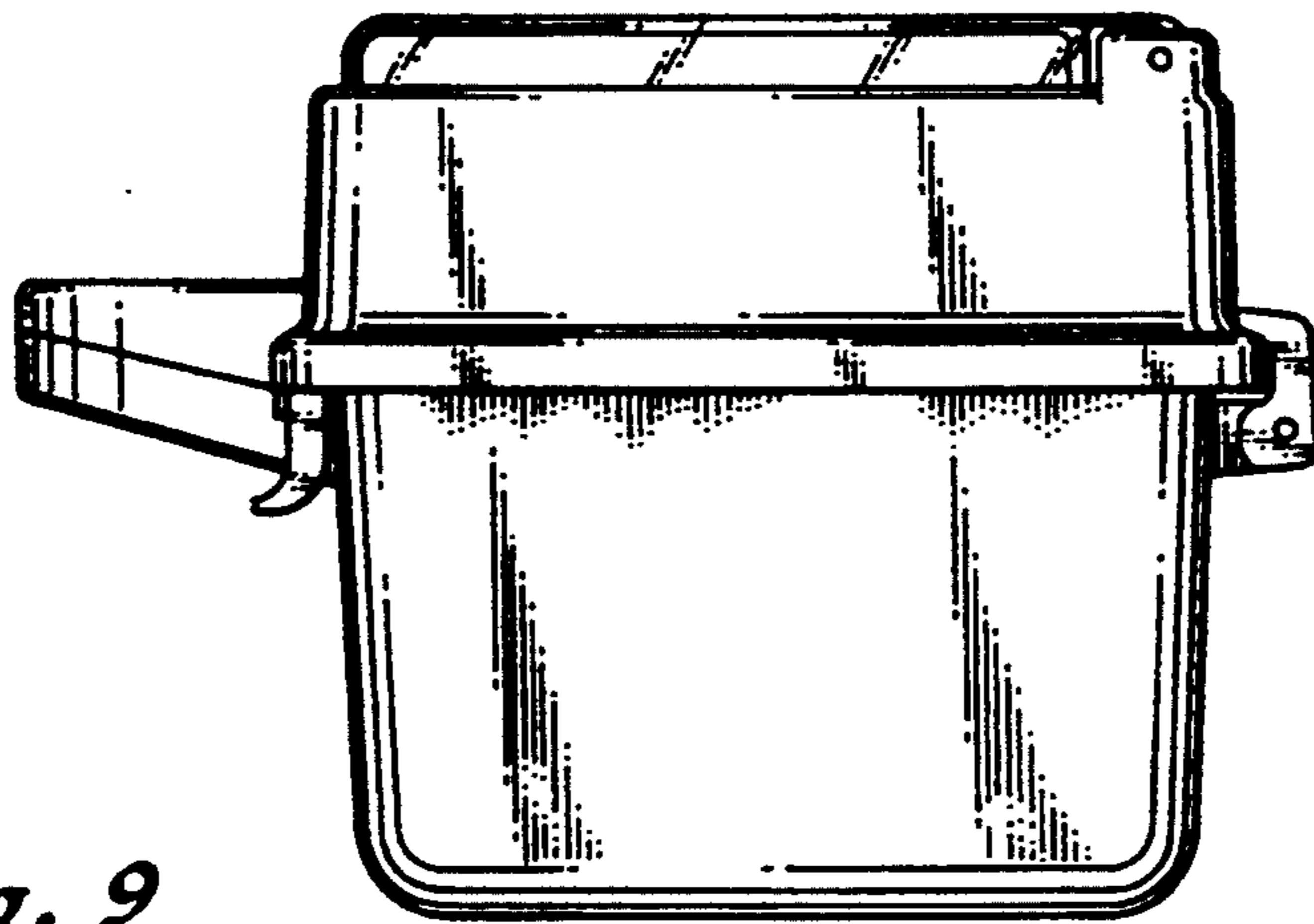


Fig. 9

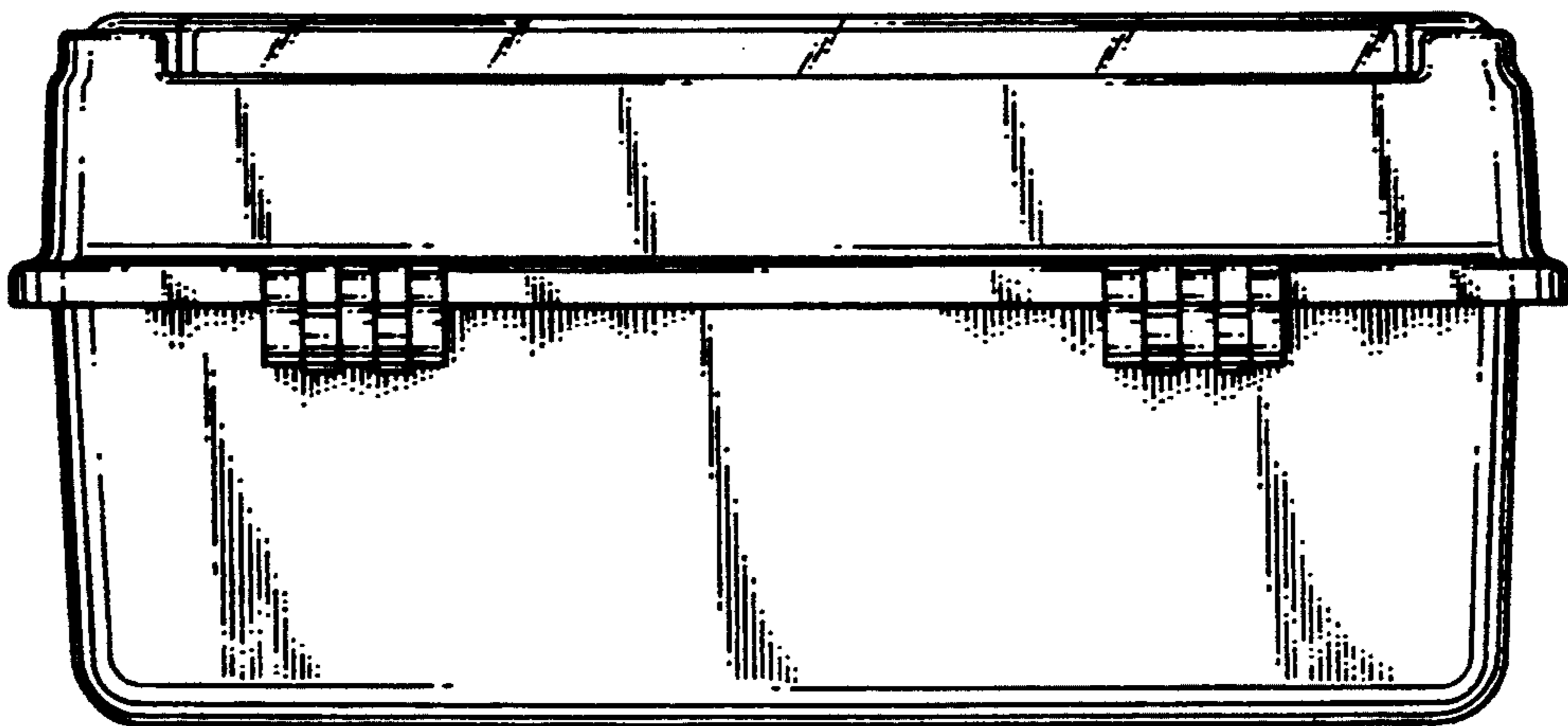


Fig. 12

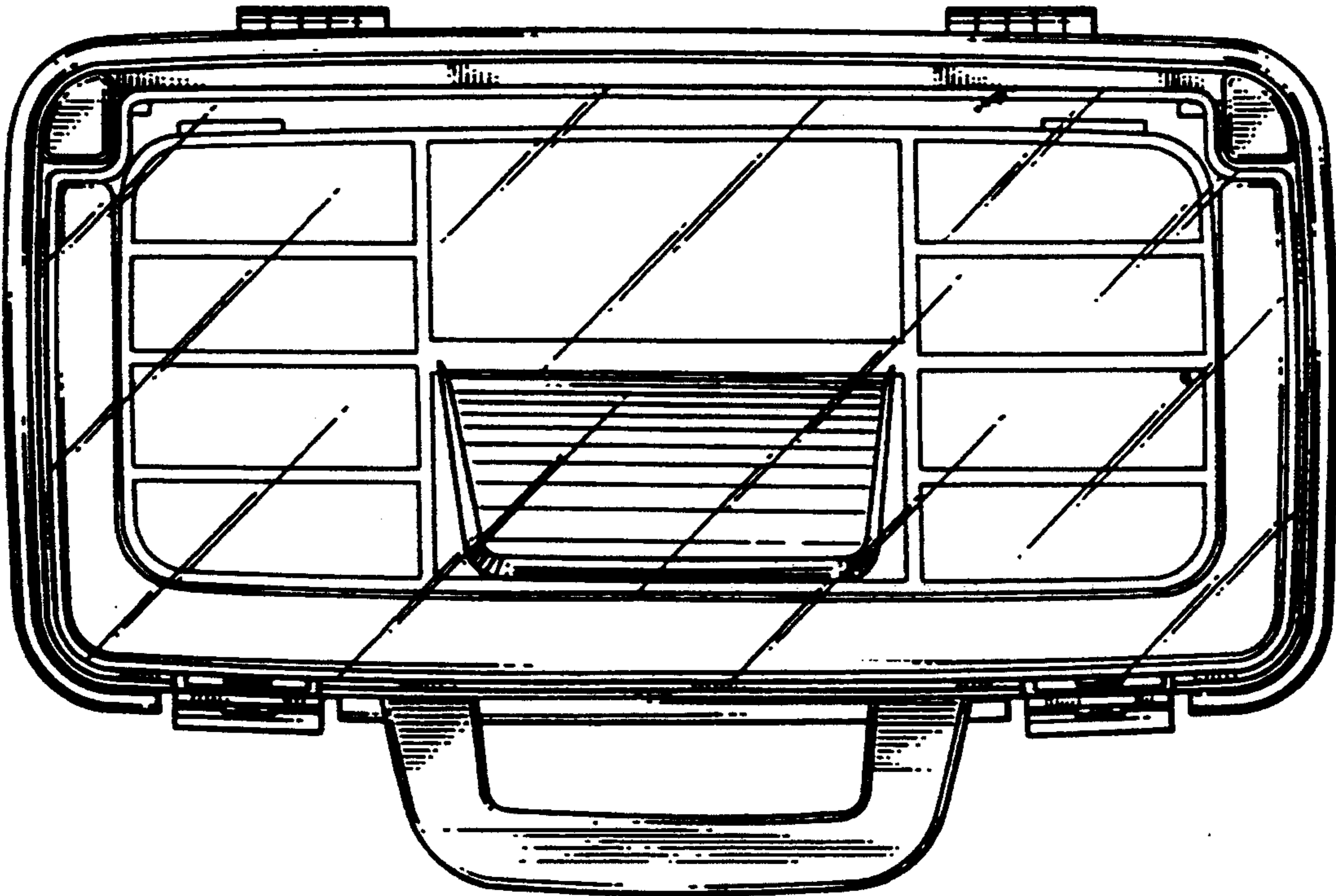


Fig. 10

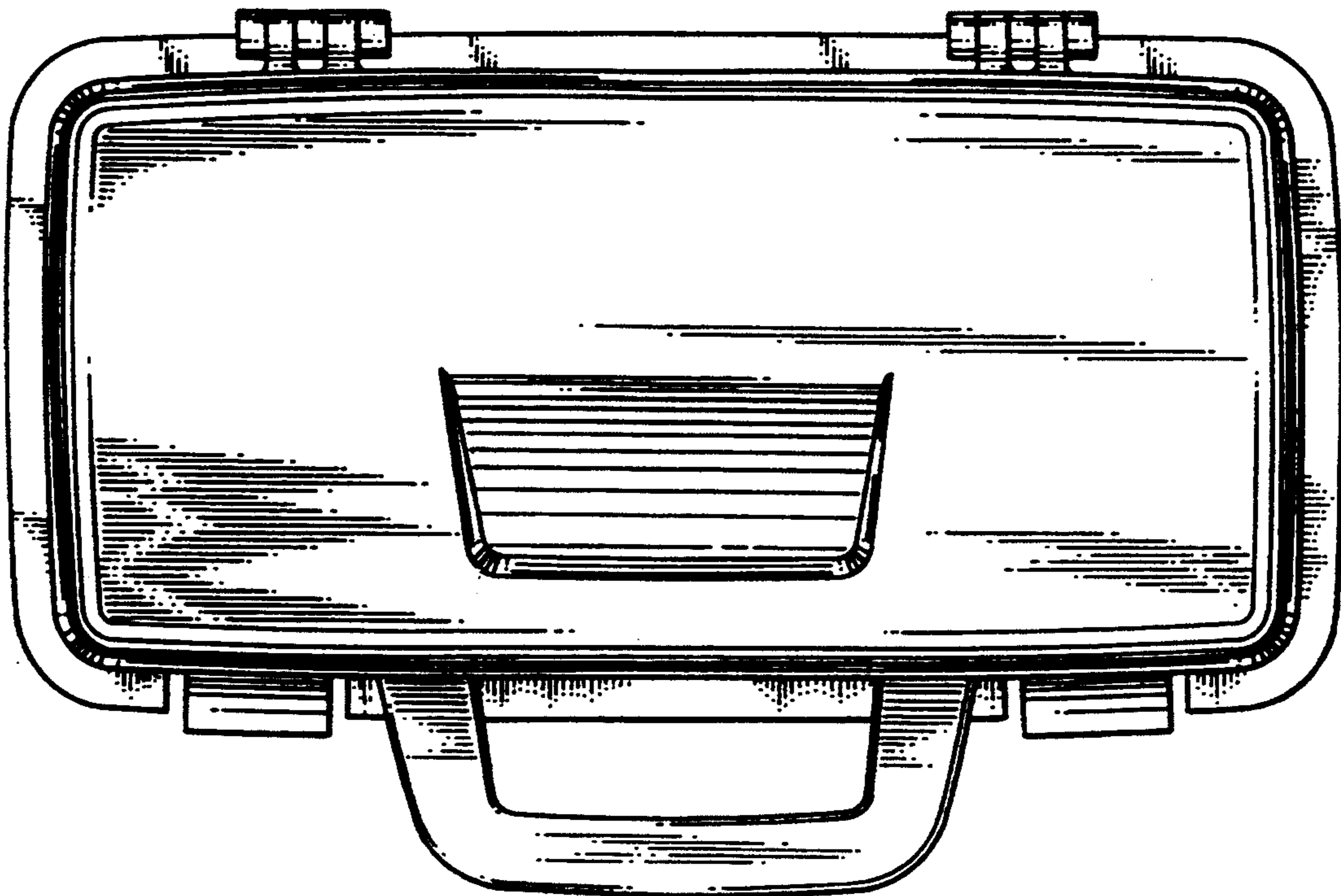


Fig. 11