



US00D352390S

United States Patent [19]

Shrum

[11] Patent Number: **Des. 352,390**

[45] Date of Patent: **** Nov. 15, 1994**

[54] **UMBRELLA HOLDER FOR WHEEL CHAIRS**

[76] Inventor: **Herbert R. Shrum**, 2210 N. Orchard Dr., Burbank, Calif. 91504

[**] Term: **14 Years**

[21] Appl. No.: **903,555**

[22] Filed: **Jun. 25, 1992**

[52] U.S. Cl. **D3/10**

[58] Field of Search **D3/5-17;**
135/15.1, -19.5, 20.1-25.4, 25.41, 33.2, 34.2, 66,
910, 911; 224/275

[56] **References Cited**

U.S. PATENT DOCUMENTS

| | | | |
|-----------|--------|---------------|----------|
| 3,204,650 | 9/1965 | Shinew | D3/5 X |
| 4,389,057 | 6/1983 | Richard . | |
| 4,609,175 | 9/1986 | Conover | 135/16 X |
| 4,809,724 | 3/1989 | Fuser | 135/16 |
| 4,949,740 | 8/1990 | Friday . | |

5,040,763 8/1991 Wilson 224/275 X

FOREIGN PATENT DOCUMENTS

1062753 3/1967 United Kingdom 135/20.1

Primary Examiner—Louis S. Zarfes

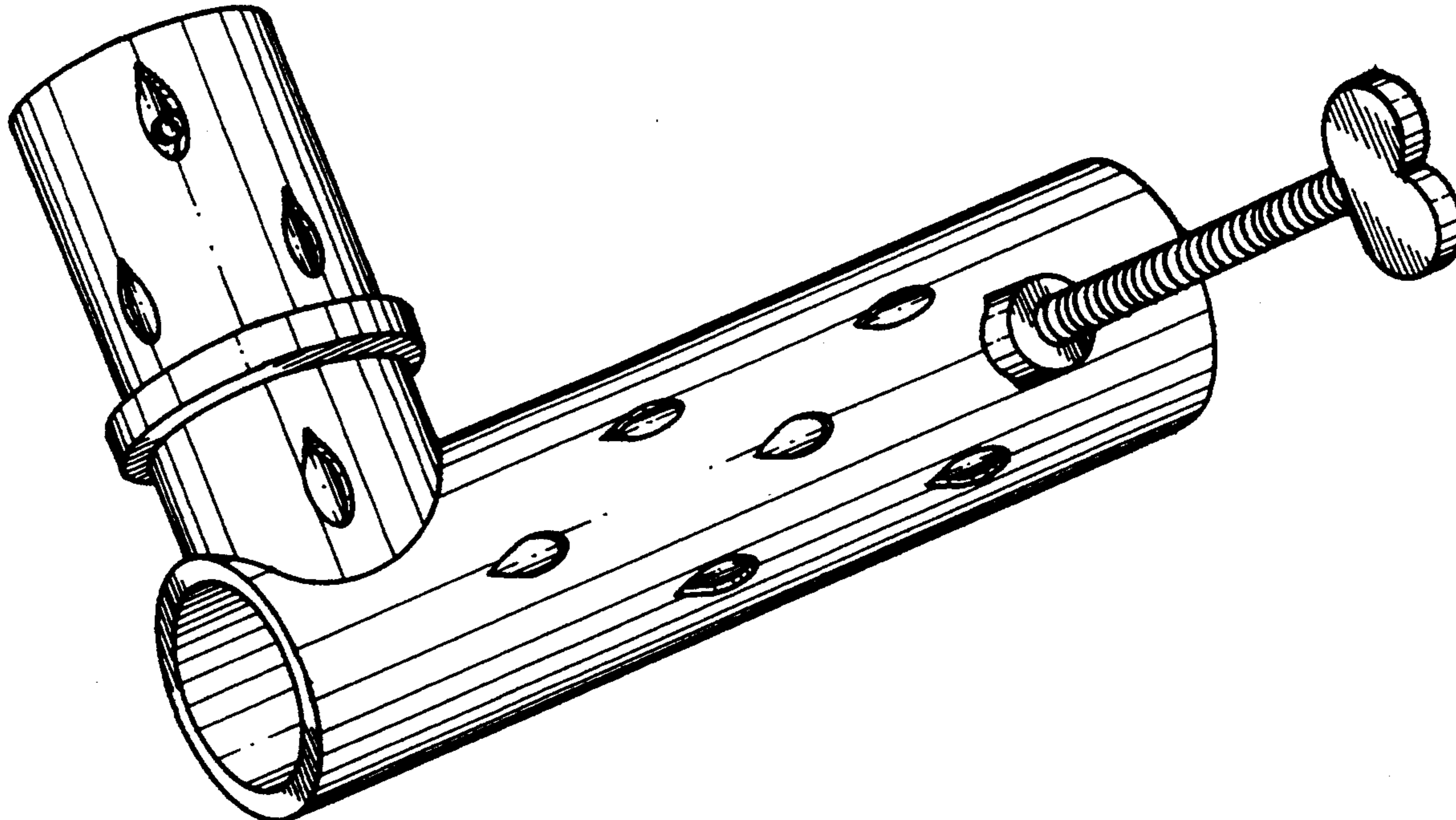
Attorney, Agent, or Firm—Terry M. Gernstein

[57] **CLAIM**

The ornamental design for an umbrella holder for wheel chairs, as shown and described.

DESCRIPTION

FIG. 1 is a perspective view of an umbrella holder for wheel chairs showing my new design; FIG. 2 is a front elevational view thereof, the rear being a mirror image of the front shown in FIG. 2; FIG. 3 is a side elevational view thereof; FIG. 4 is a side elevational view thereof; FIG. 5 is a top plan view thereof; and, FIG. 6 is a bottom plan view thereof.



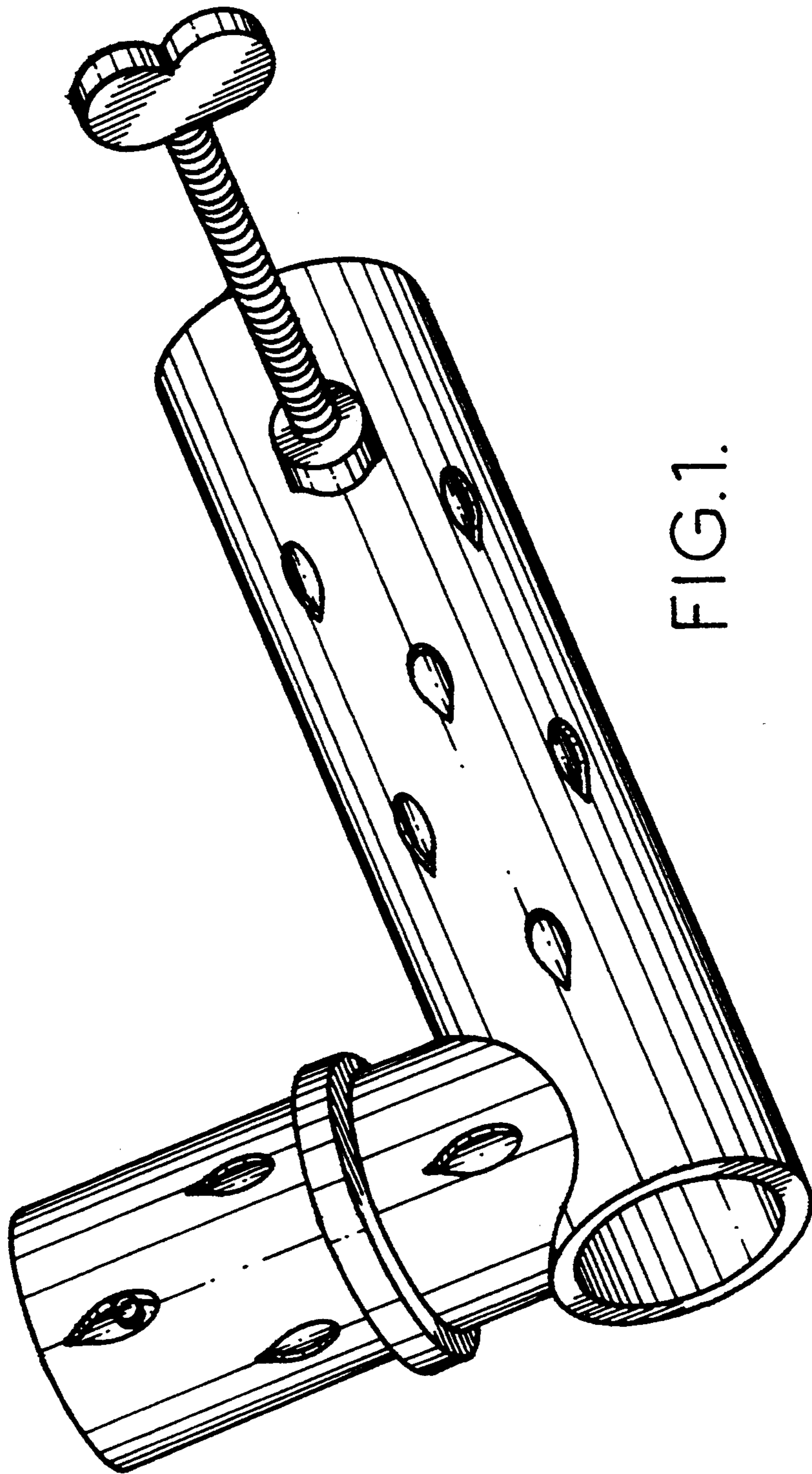


FIG. 1.

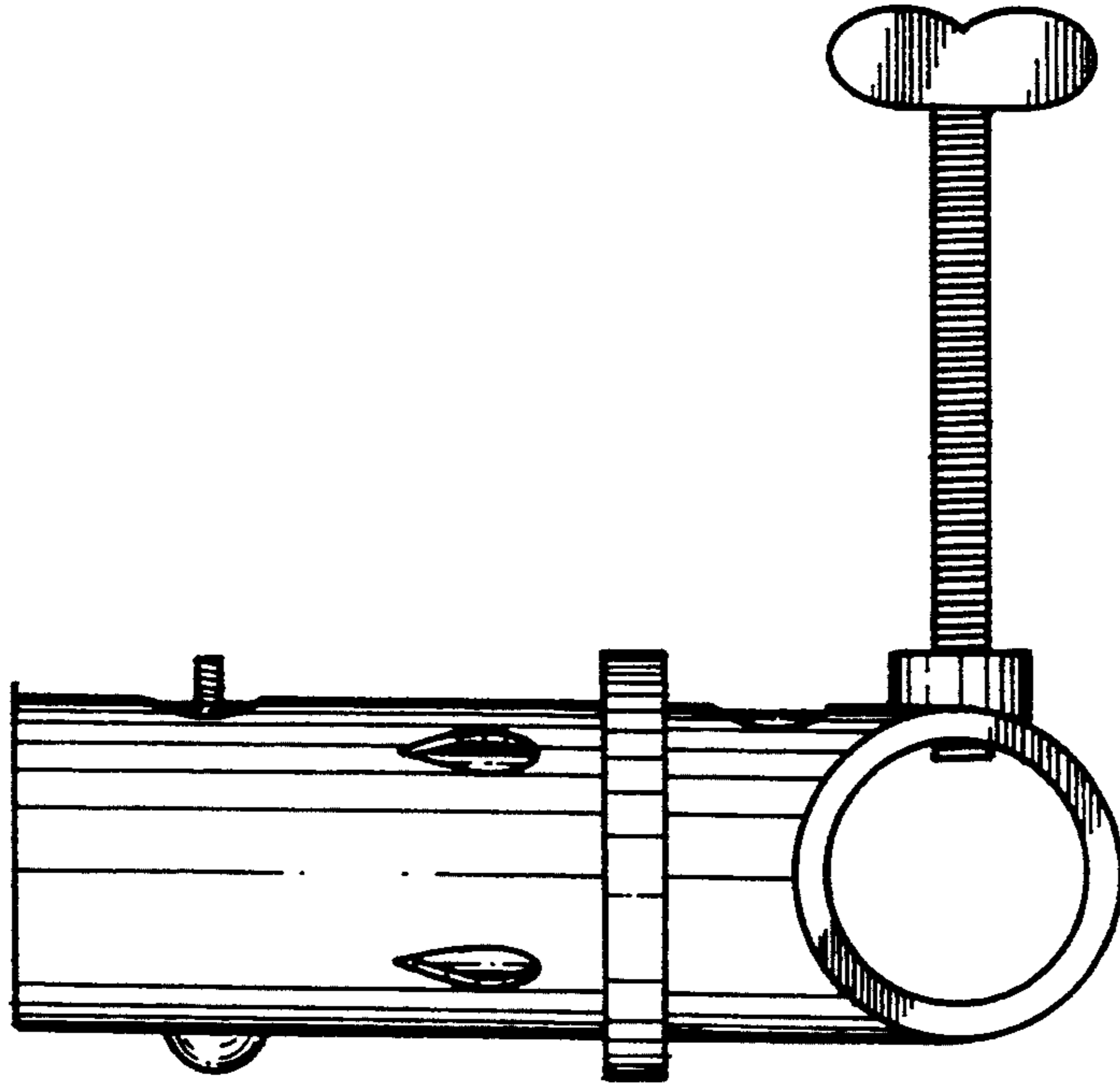


FIG. 2.

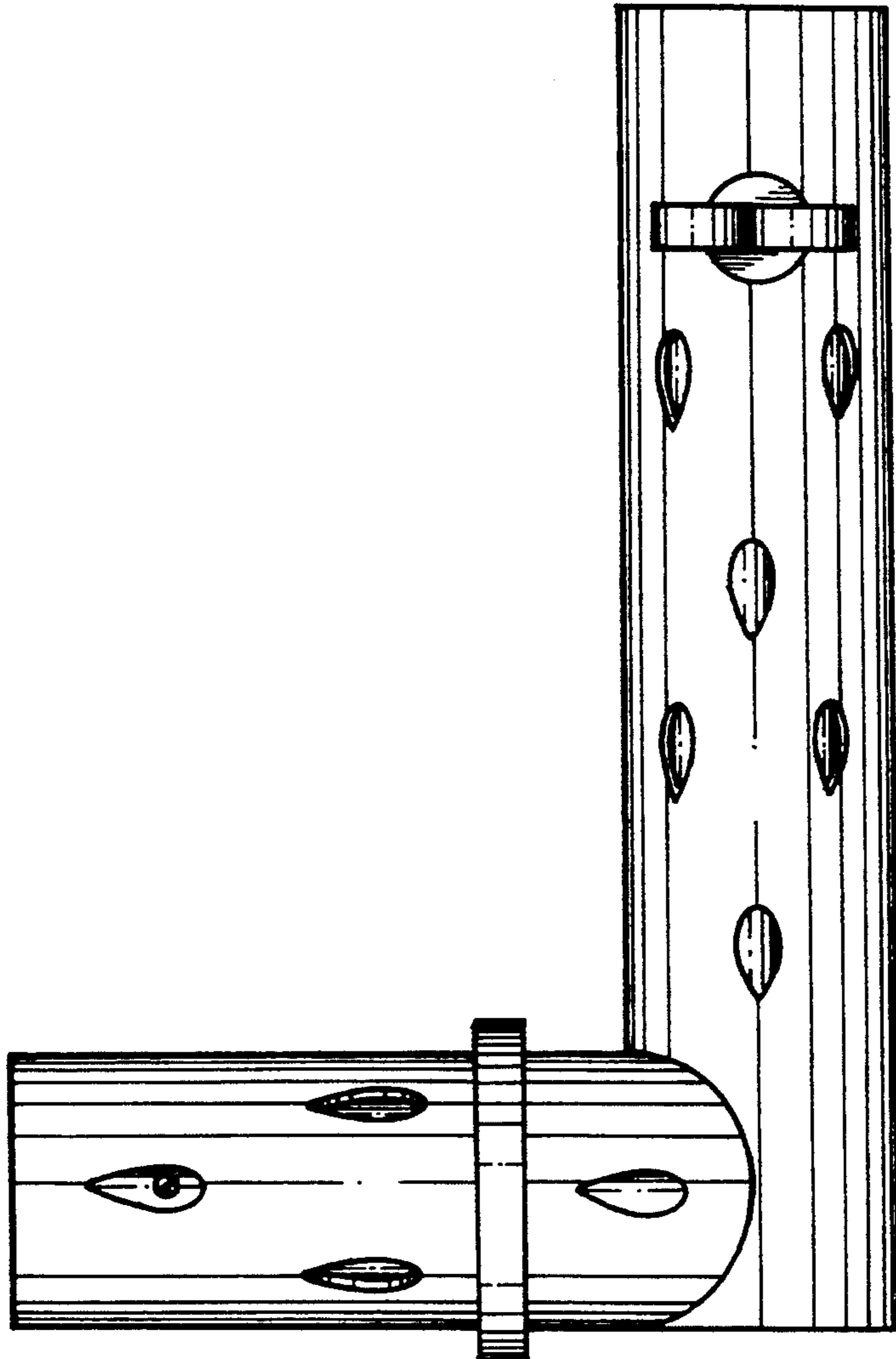


FIG. 4.

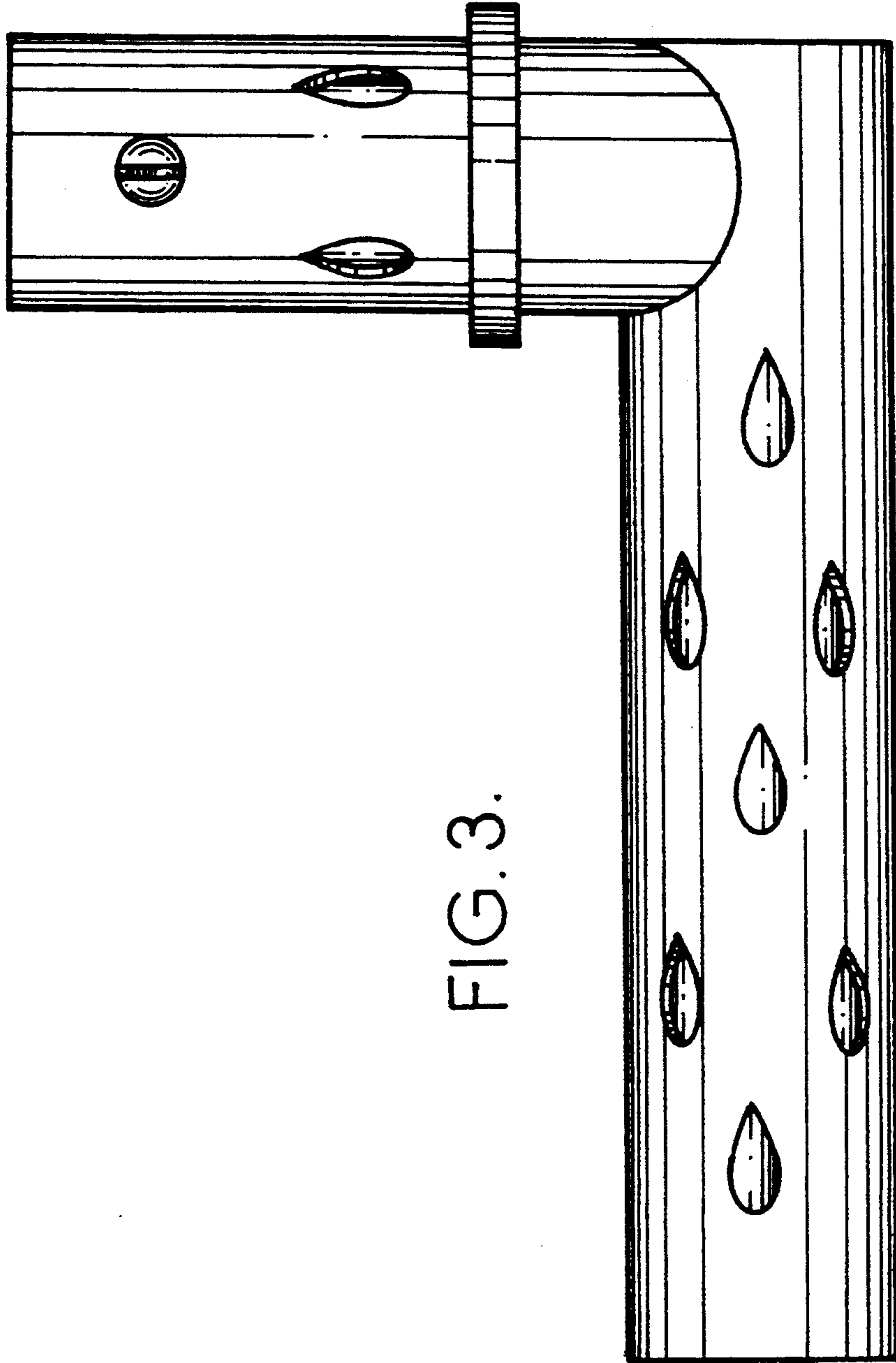


FIG. 3.

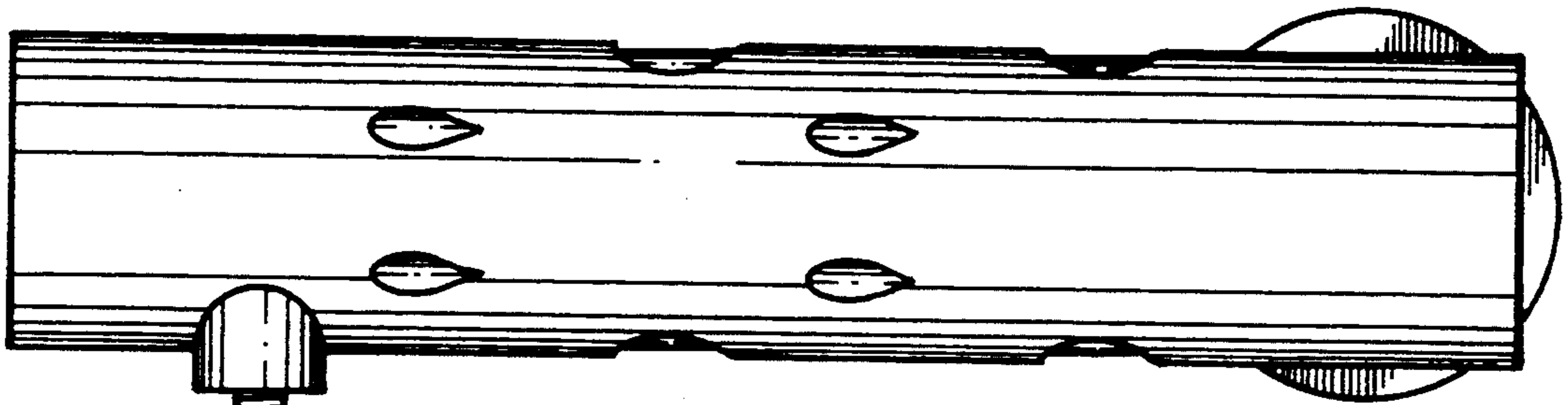


FIG. 6.

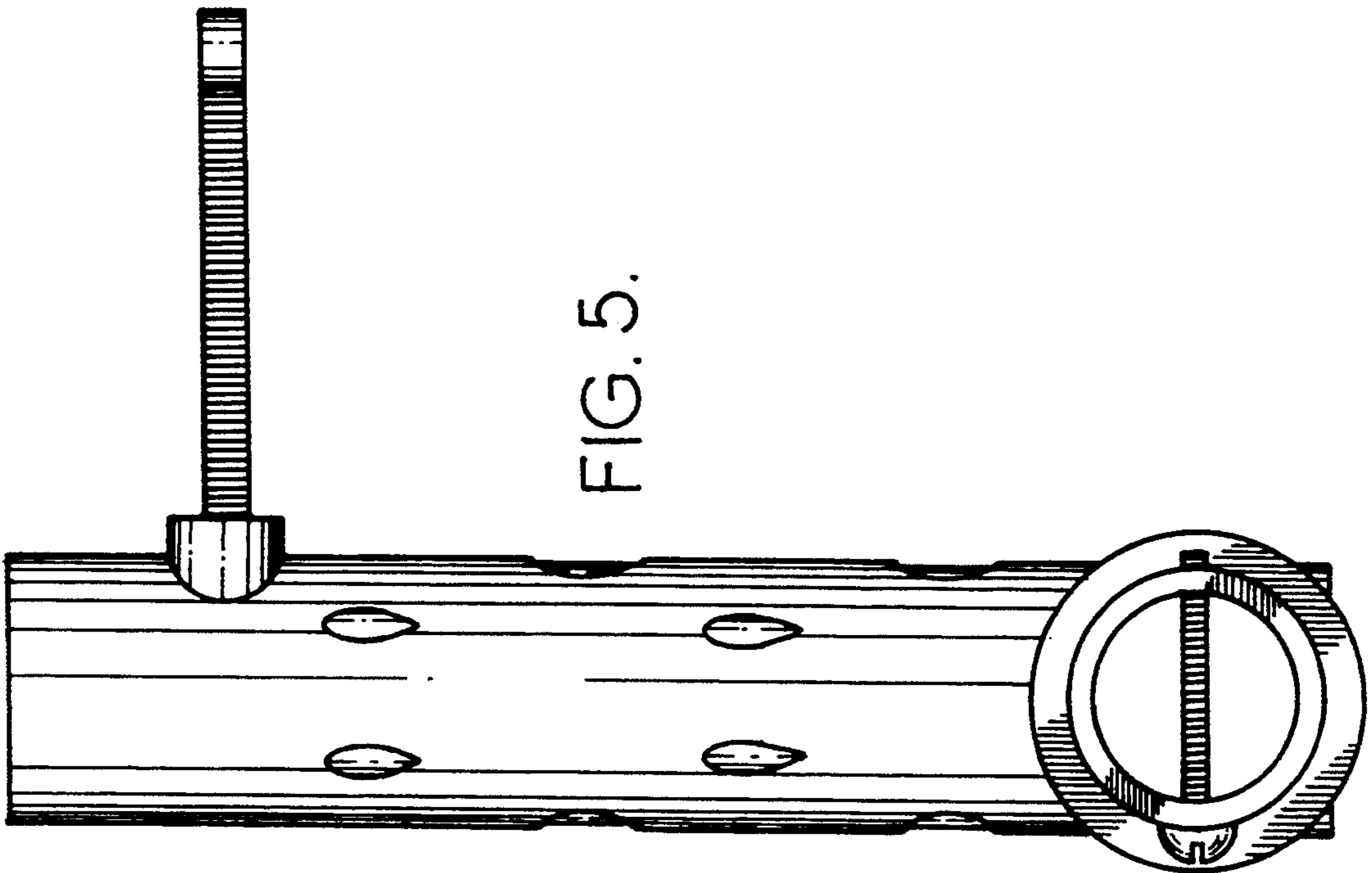


FIG. 5.