



US00D352388S

United States Patent [19] Swirsky

[11] Patent Number: Des. 352,388

[45] Date of Patent: ** Nov. 15, 1994

[54] BOOT REMOVING AID

5,054,667 10/1991 Levy et al. 223/113 X

[76] Inventor: Dennis Swirsky, 24 Malmalick Ave.,
Waterbury, Conn. 06708

OTHER PUBLICATIONS

Webster's New World Dictionary 1988 p. 1426 top
right triangle.

[**] Term: 14 Years

Primary Examiner—Bernard Ansher
Assistant Examiner—Paula Mortimer
Attorney, Agent, or Firm—Terry M. Gernstein

[21] Appl. No.: 3,164

[22] Filed: Dec. 30, 1992

[52] U.S. Cl. D2/642

[58] Field of Search D2/642; 223/112, 113,
223/114, 115

[57] CLAIM

The ornamental design for a boot removing aid, as
shown and described.

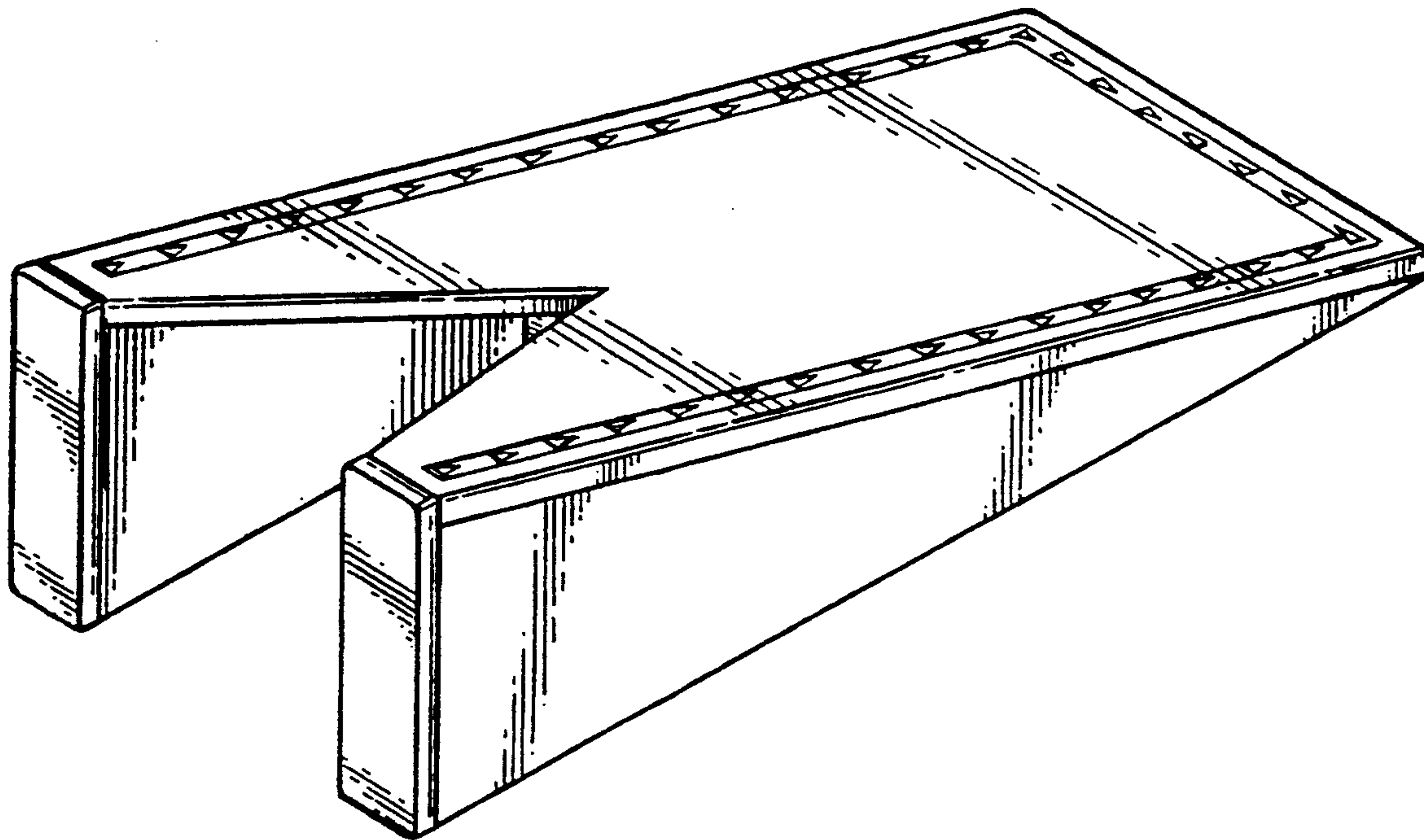
[56] References Cited

U.S. PATENT DOCUMENTS

D. 224,460	7/1972	Wright	223/115 X
D. 226,245	1/1973	Cairns	223/115 X
D. 227,118	6/1973	Hartman	D2/642
D. 277,997	3/1985	Horner	D2/642
D. 286,580	11/1986	Stirling	D2/642
2,883,097	4/1959	Scardamalia	.	
2,889,972	6/1959	Johnson	.	
3,526,346	9/1970	Drouillard	.	

DESCRIPTION

FIG. 1 is a front, top and side perspective view of the
boot removing aid showing my new design;
FIG. 2 is a front elevational view thereof;
FIG. 3 is a rear elevational view thereof;
FIG. 4 is a side elevational view thereof, the side oppo-
site being a mirror image of the side shown in FIG. 4;
FIG. 5 is a top plan view thereof; and,
FIG. 6 is a bottom plan view thereof.



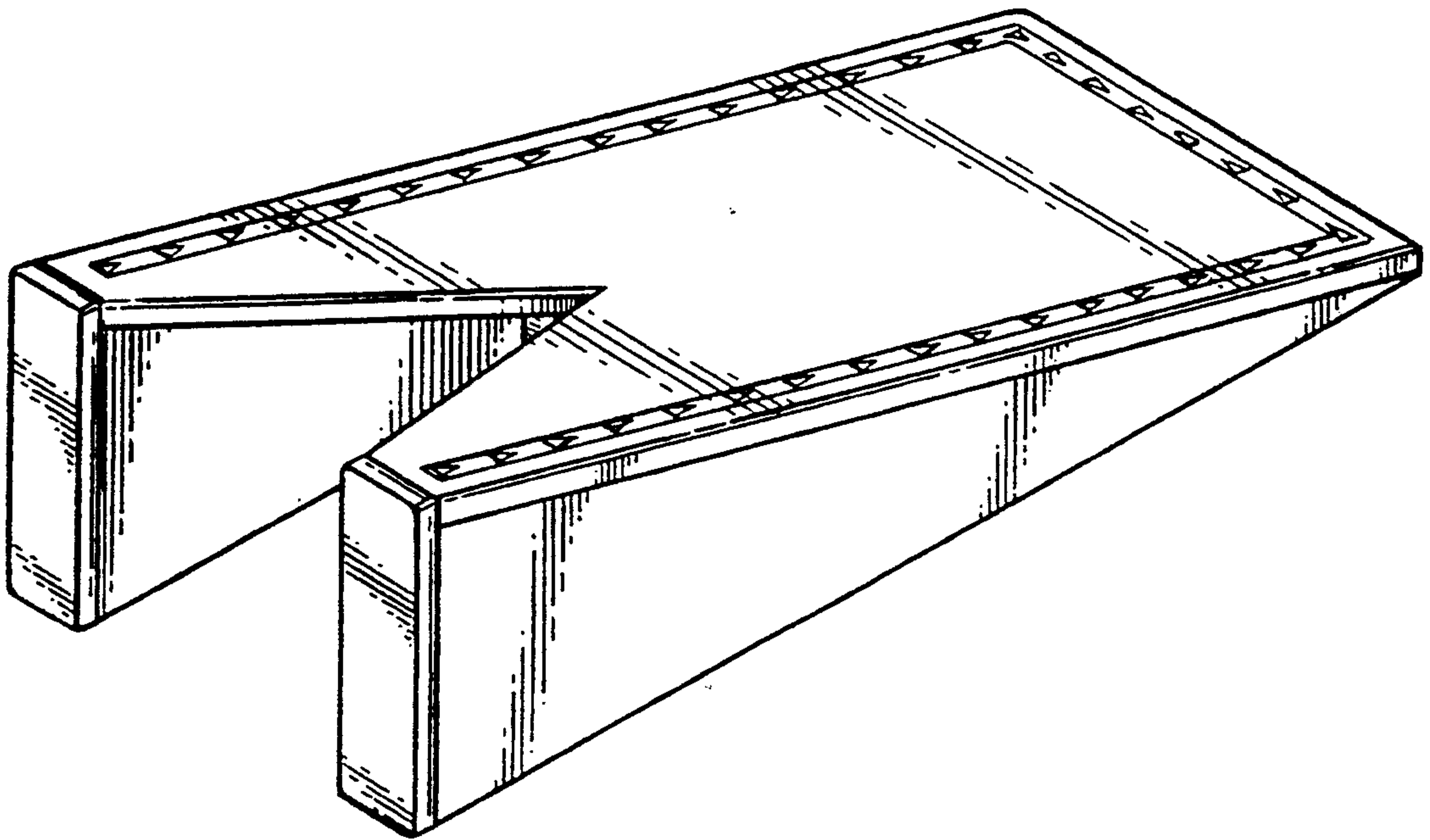


FIG. 1

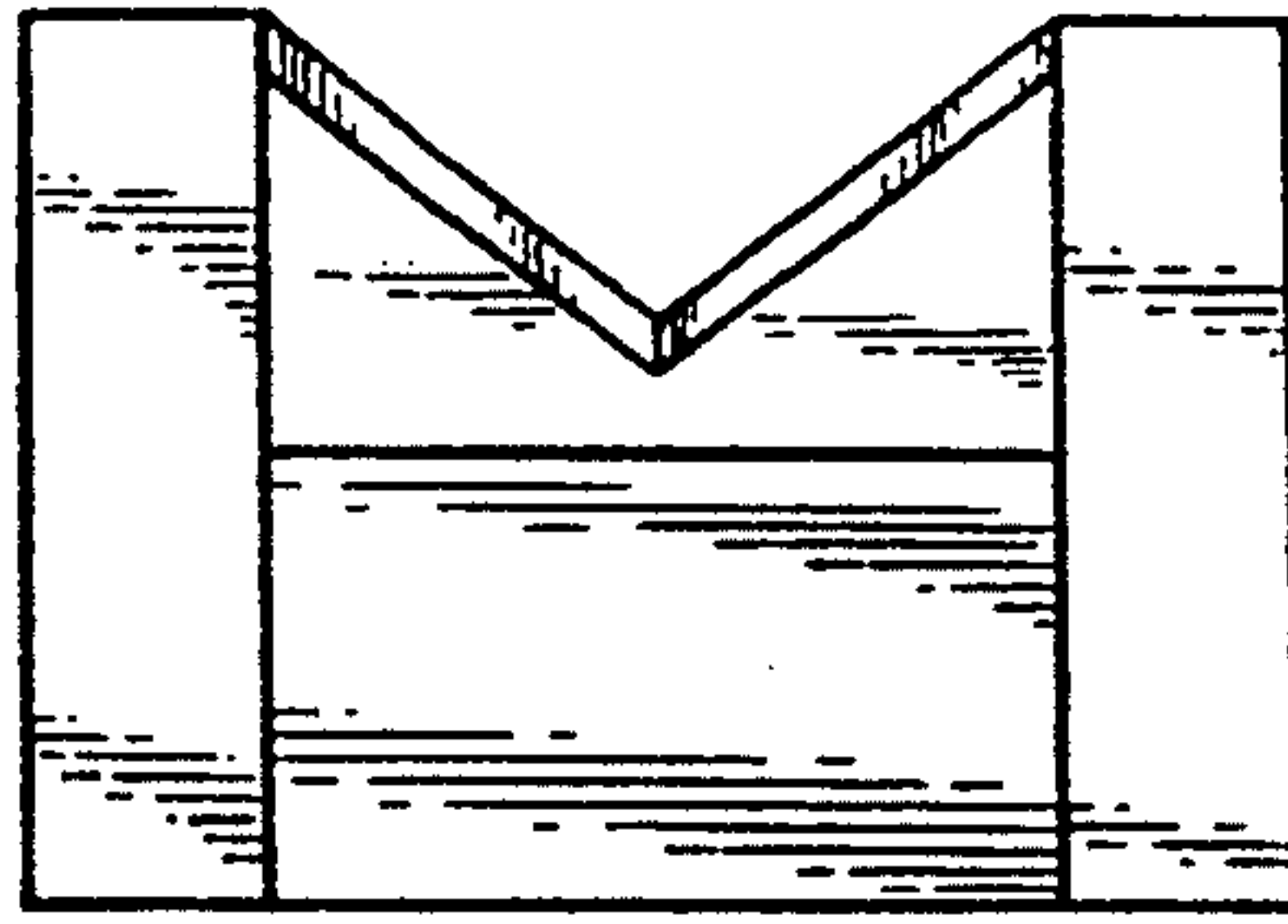


FIG. 2

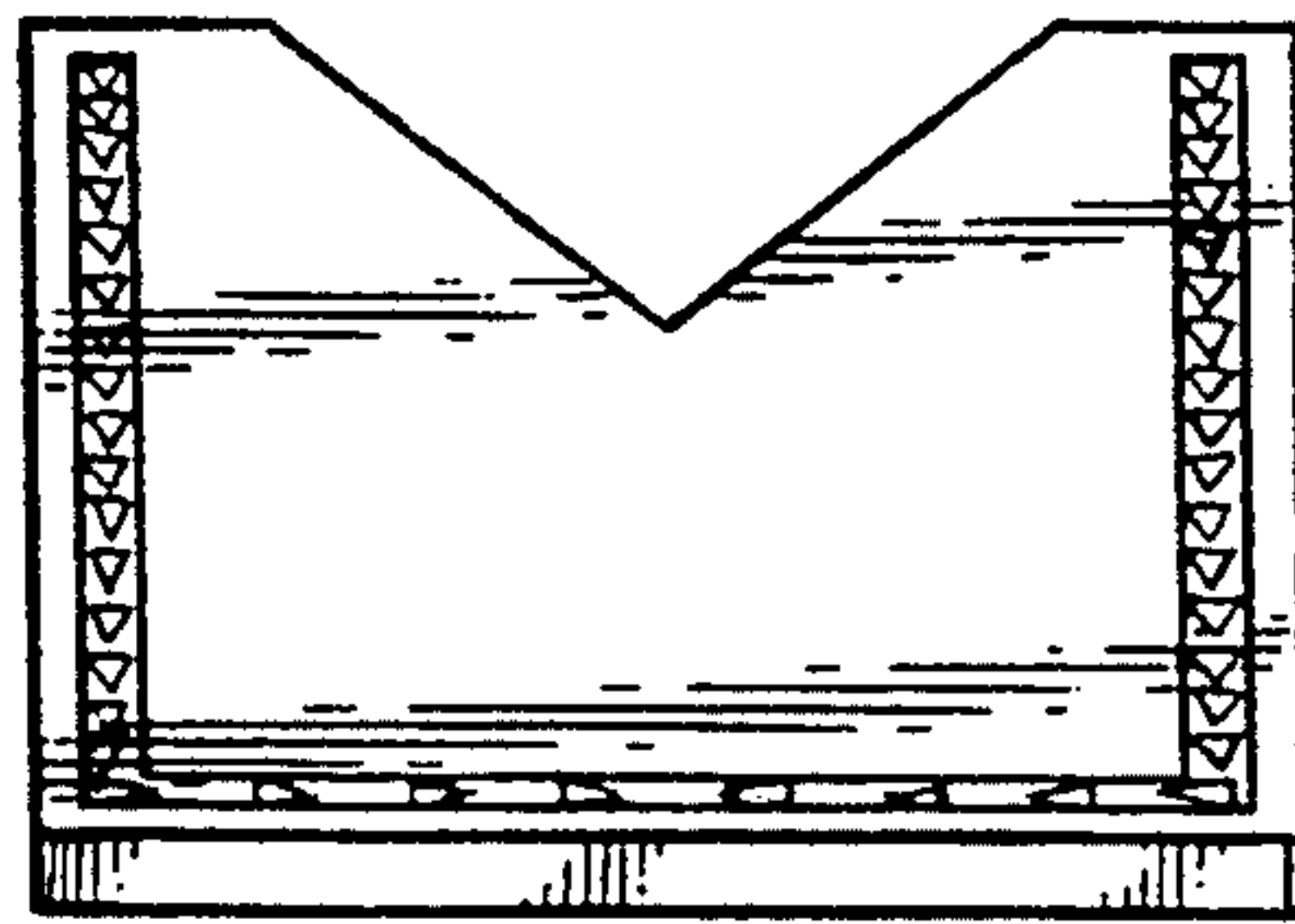


FIG. 3

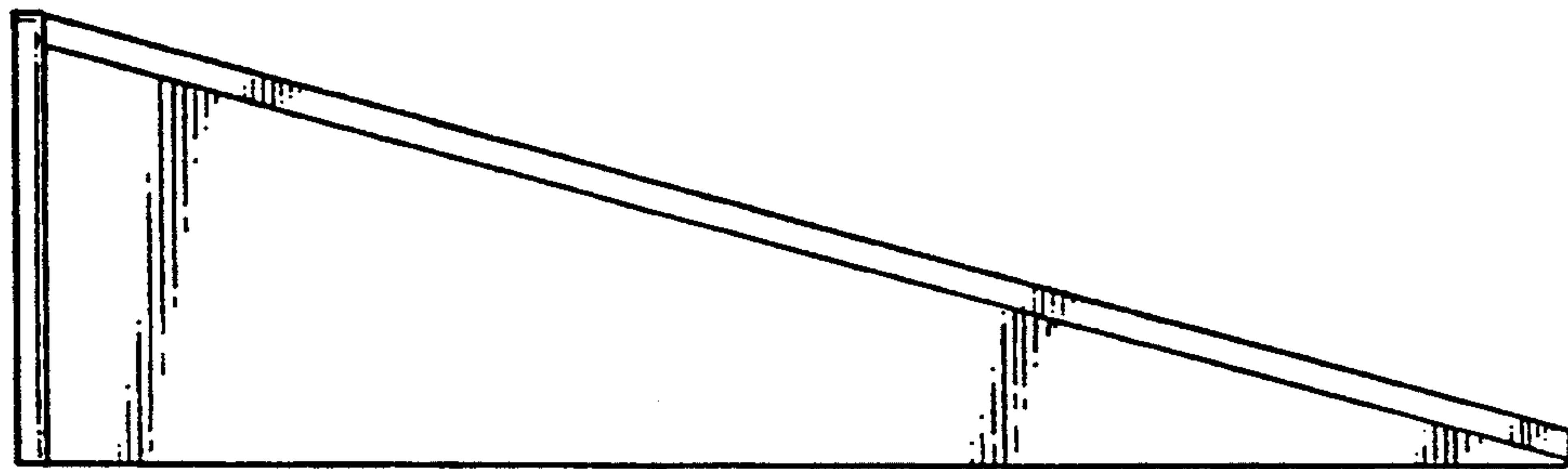


FIG. 4

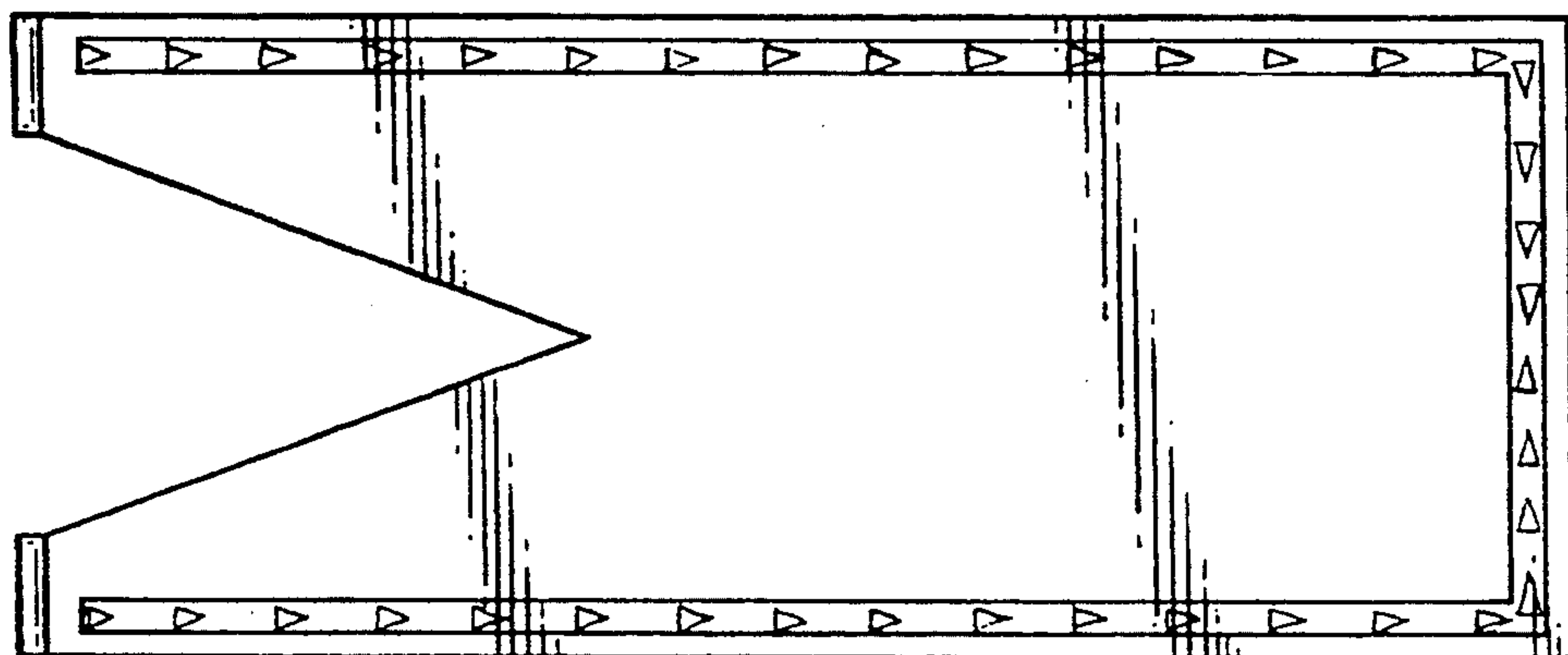


FIG. 5

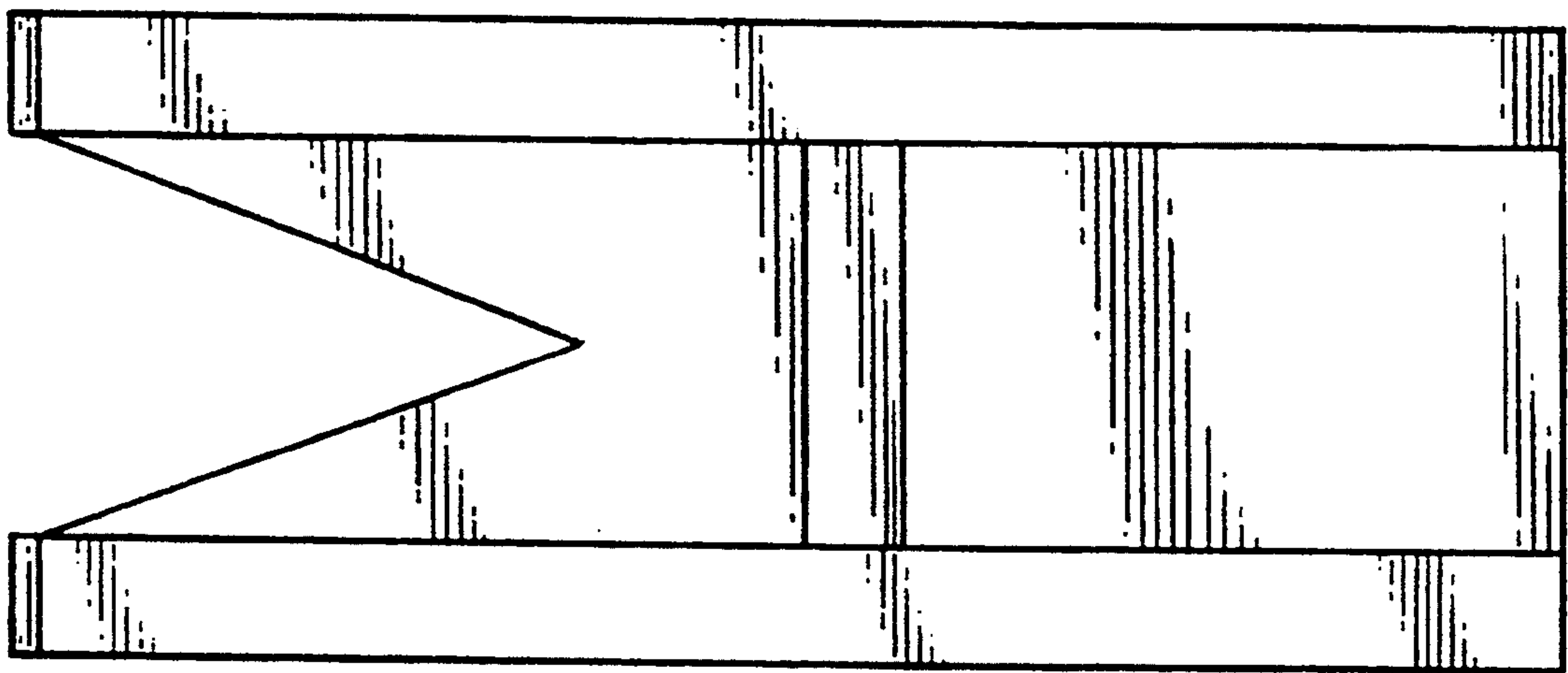


FIG. 6