



US00D352384S

**United States Patent** [19]  
**Robinson**

[11] **Patent Number: Des. 352,384**  
[45] **Date of Patent: \*\* Nov. 15, 1994**

[54] **ACCESSORY KIT TO BE ATTACHED TO AN ATHLETIC SHOE**

[76] **Inventor: Dwight F. Robinson, Y.E.S.**  
Enterprise, 1817 S. 6th St., Camden,  
N.J. 08104

[\*\*] **Term: 14 Years**

[21] **Appl. No.: 735**

[22] **Filed: Oct. 23, 1992**

[52] **U.S. Cl. .... D2/946; D2/898;  
D2/976**

[58] **Field of Search ..... D2/896, 909, 915, 946,  
D2/972, 975, 976, 897, 898; D7/620; 36/45, 54,  
114, 132, 136**

[56] **References Cited**

**U.S. PATENT DOCUMENTS**

D. 110,163	6/1938	Andrews	.....	D2/975
D. 288,261	2/1987	Palacio	.	
D. 335,569	5/1993	Kittle et al.	.....	D2/975
D. 337,199	7/1993	Ochs	.....	D7/620 X
4,598,487	7/1986	Misevich	.....	36/114
5,246,749	9/1993	Handzlik	.....	36/136 X

**FOREIGN PATENT DOCUMENTS**

23122 of 1912 United Kingdom ..... 36/136

*Primary Examiner*—Louis S. Zarfaz  
*Attorney, Agent, or Firm*—Richard C. Litman

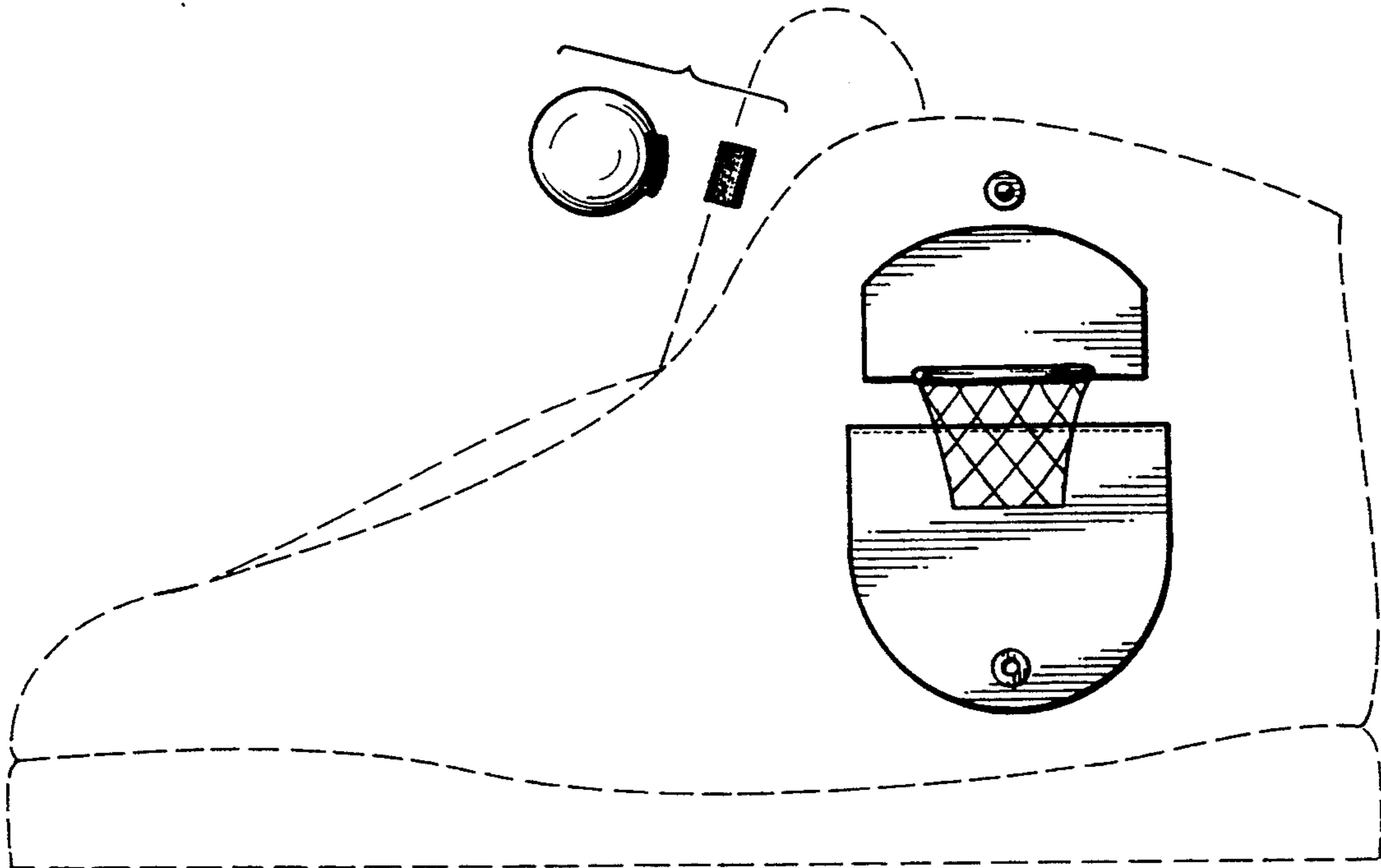
[57] **CLAIM**

The ornamental design for an accessory kit to be attached to an athletic shoe, as shown and described.

**DESCRIPTION**

FIG. 1 is an exploded left side elevational view of an accessory kit to be attached to an athletic shoe showing my new design;  
 FIG. 2 is a rear view of a portion of the kit thereof;  
 FIG. 3 is a front view of the kit thereof;  
 FIG. 4 is a top view of the kit thereof;  
 FIG. 5 is a bottom view of the kit thereof;  
 FIG. 6 is a front view of a portion of the kit in its closed position, the rear view being a mirror image thereof;  
 FIG. 7 is an exploded left side elevational view thereof;  
 FIG. 8 is a top view thereof; and,  
 FIG. 9 is a bottom view thereof.

The broken line showing of a left athletic shoe in all figures is for illustrative purposes only and forms no part of the claimed design.



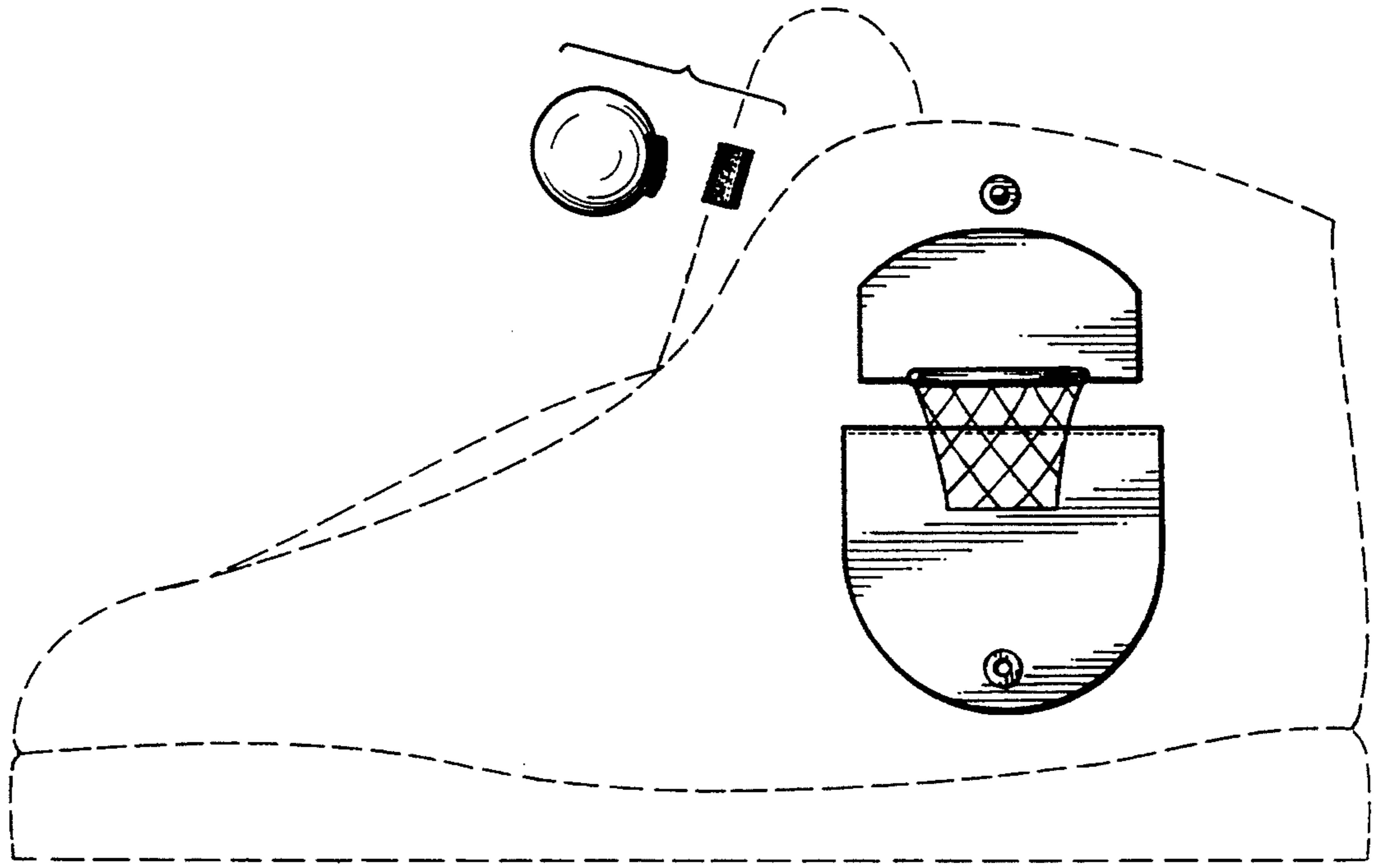


FIG. 1

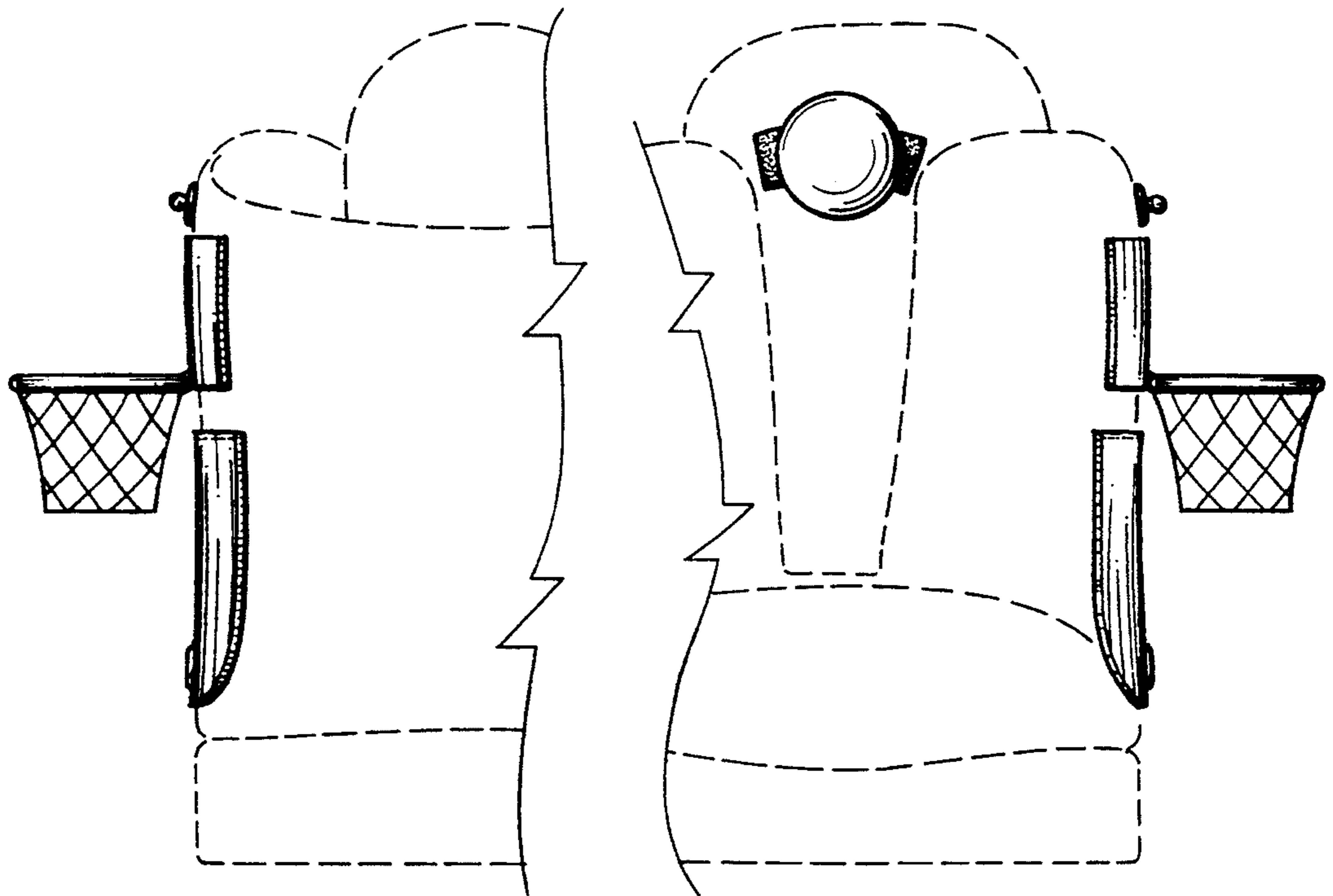
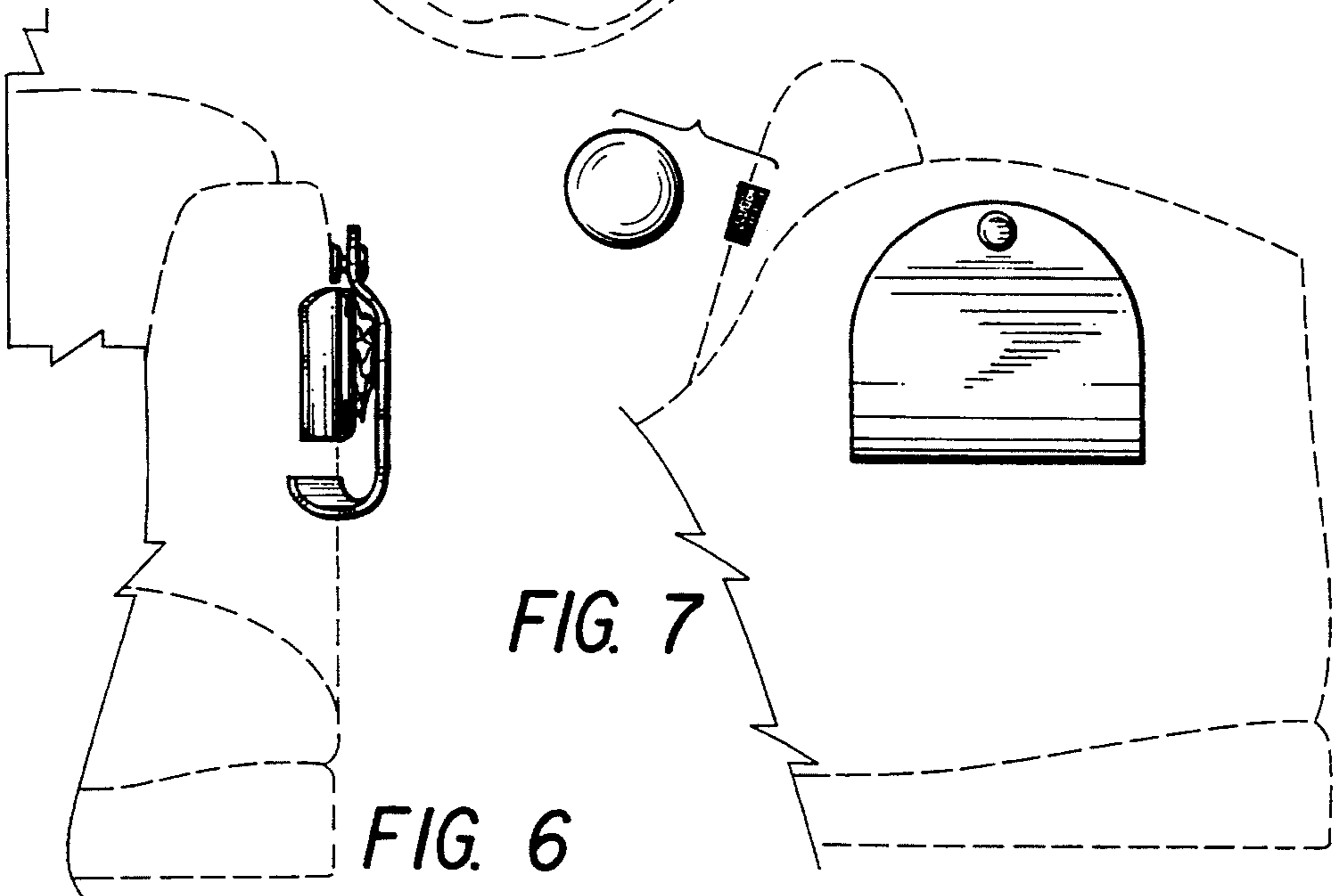
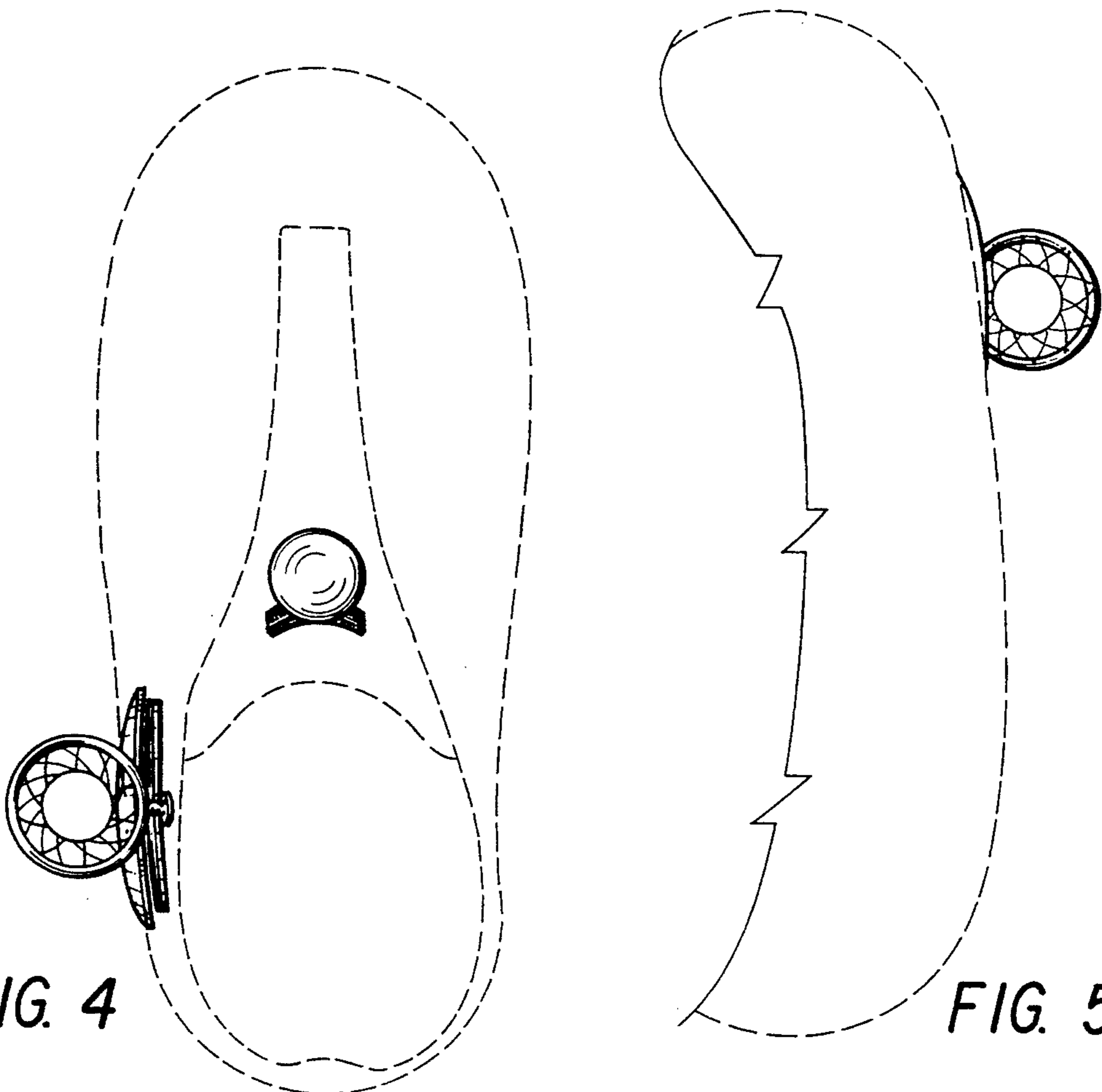


FIG. 2

FIG. 3



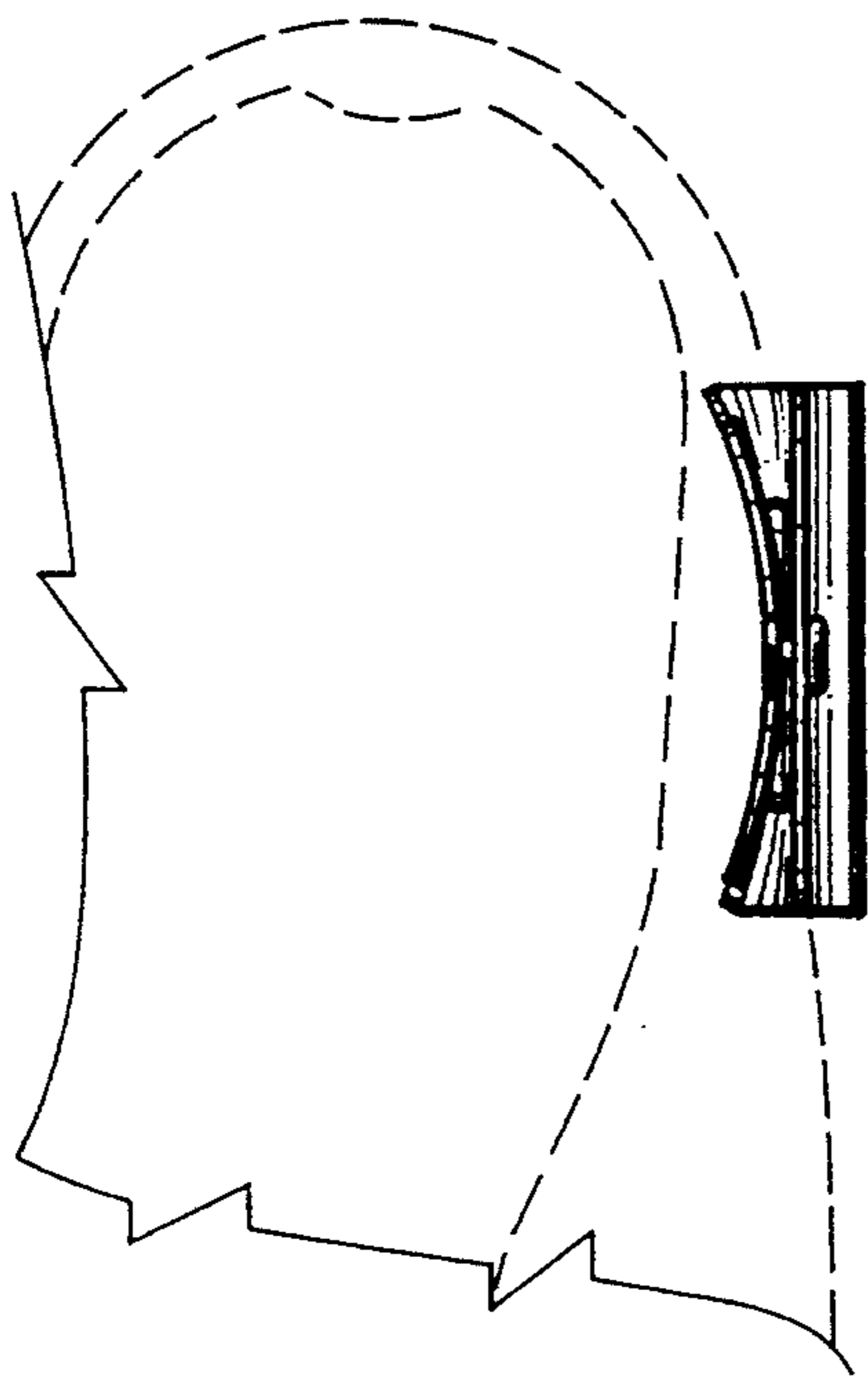


FIG. 8

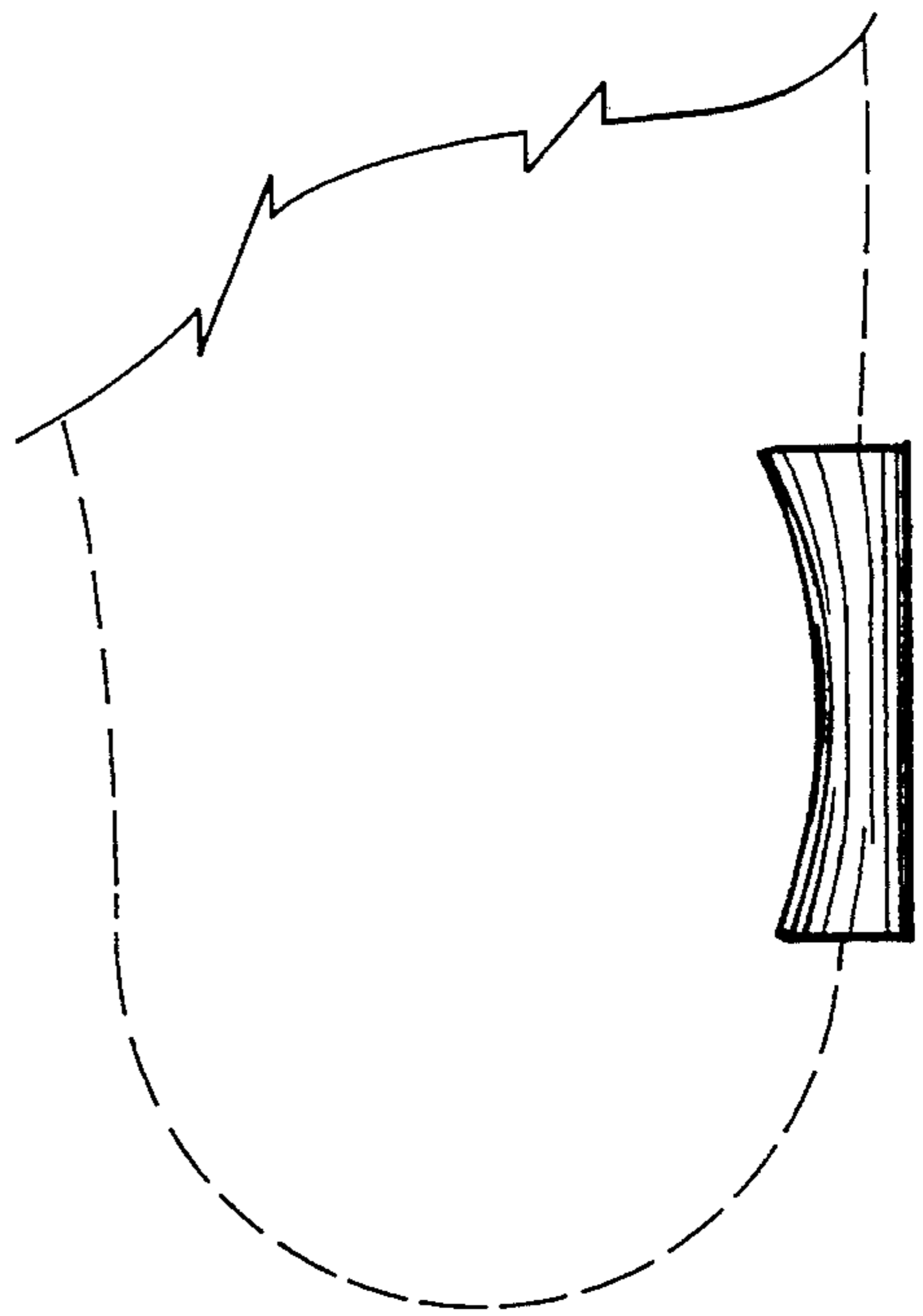


FIG. 9