



US00D352365S

United States Patent [19]

Hansen et al.

[11] Patent Number: **Des. 352,365**

[45] Date of Patent: **** Nov. 8, 1994**

[54] **HAIRDRYER**

[76] Inventors: **Eric P. Hansen; Yun-Hee Hansen,**
both of 6805 Western Pl., Apt. 2,
Colorado Springs, Colo. 80915

[**] Term: **14 Years**

[21] Appl. No.: **6,611**

[22] Filed: **Apr. 2, 1993**

[52] U.S. Cl. **D28/13**

[58] Field of Search **34/96-101;**
392/384-385; D28/13-18

4,903,416 2/1990 Levin 34/97
5,103,577 4/1992 Michaels et al. 34/97 X

FOREIGN PATENT DOCUMENTS

2640857 6/1990 France 392/385
549547 2/1956 Italy 34/97
10216 7/1895 Switzerland 34/97

Primary Examiner—B. J. Bullock
Assistant Examiner—C. Tuttle
Attorney, Agent, or Firm—Terry M. Gernstein

[57] CLAIM

The ornamental design for a hairdryer, as shown and described.

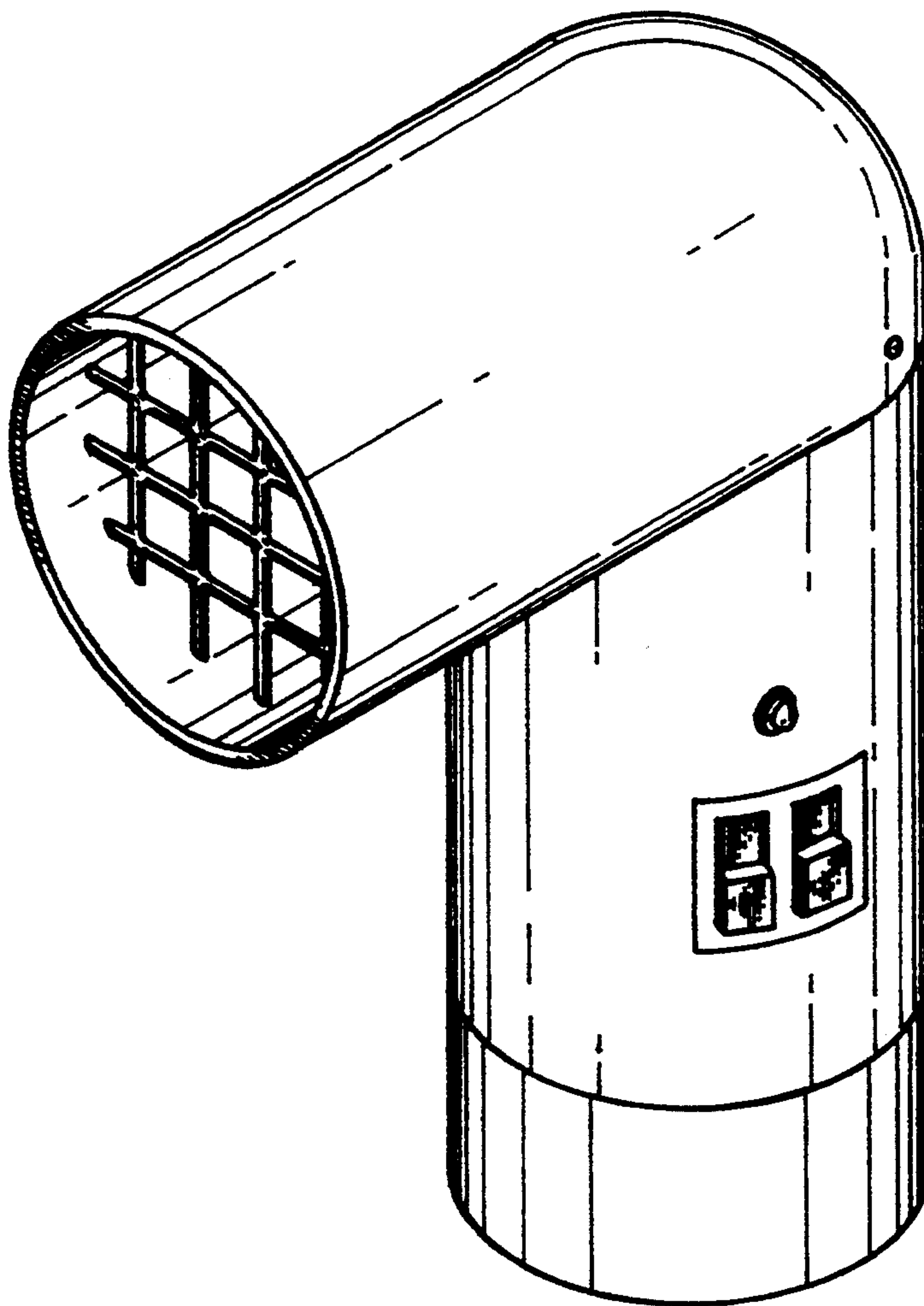
[56] References Cited

U.S. PATENT DOCUMENTS

D. 248,410	7/1978	Tomaro	D28/13
D. 251,989	5/1979	Rizzuto	D28/13
D. 253,011	9/1979	Wistrand	D28/13
D. 254,451	3/1980	Battaglia	D28/13
D. 257,067	9/1980	Muller	D28/13
D. 262,061	11/1981	Janssens	D28/13
D. 263,173	2/1983	Wistrand	D28/13
4,757,183	7/1988	Karey	34/97
4,800,654	1/1989	Levin	34/97

DESCRIPTION

FIG. 1 is a front, top and side perspective view of the hairdryer embodying the design;
FIG. 2 is a right side elevational view thereof;
FIG. 3 is a left side elevational view thereof;
FIG. 4 is a front elevational view thereof;
FIG. 5 is a rear elevational view thereof;
FIG. 6 is a top plan view thereof; and,
FIG. 7 is a bottom plan view thereof.



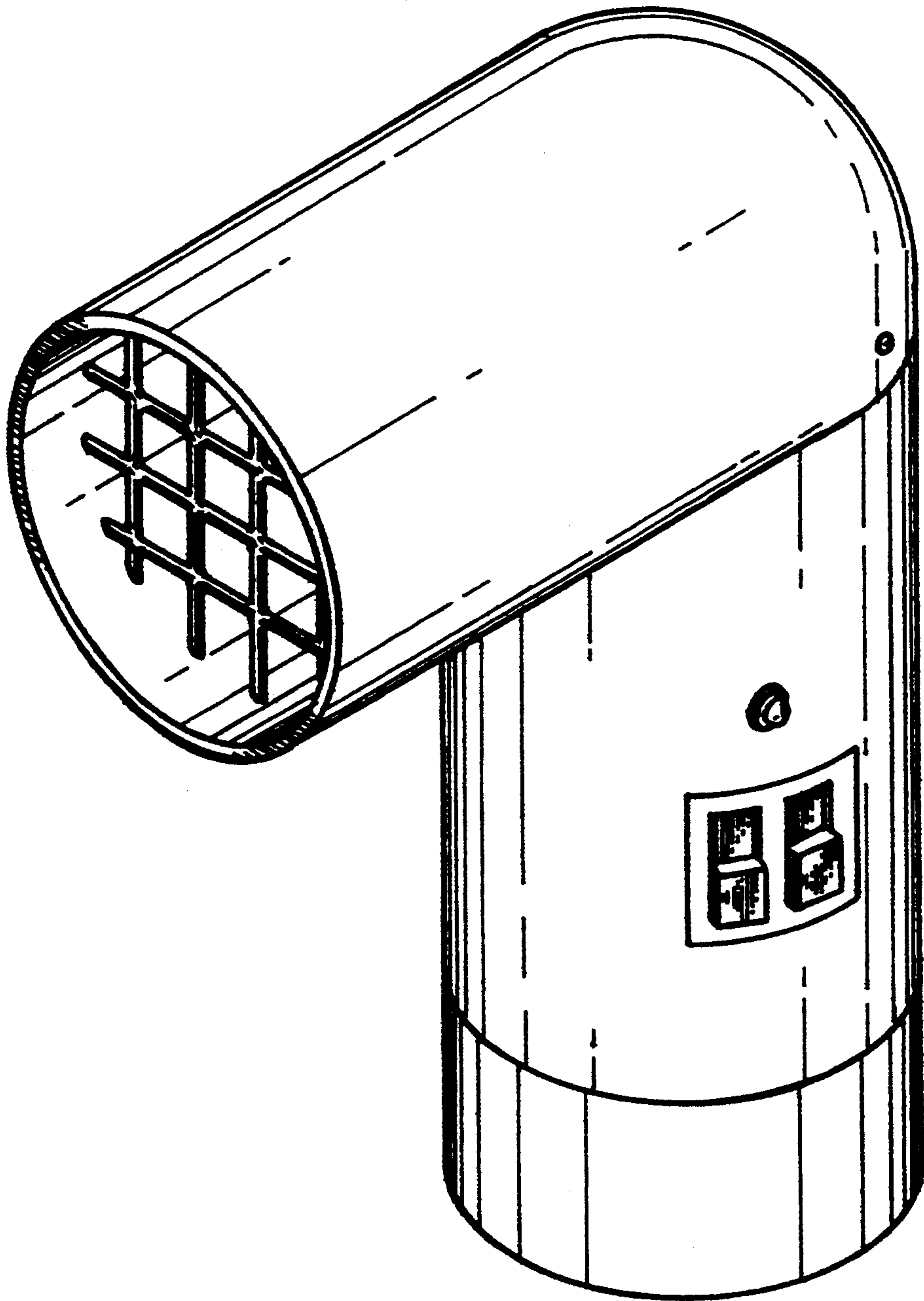
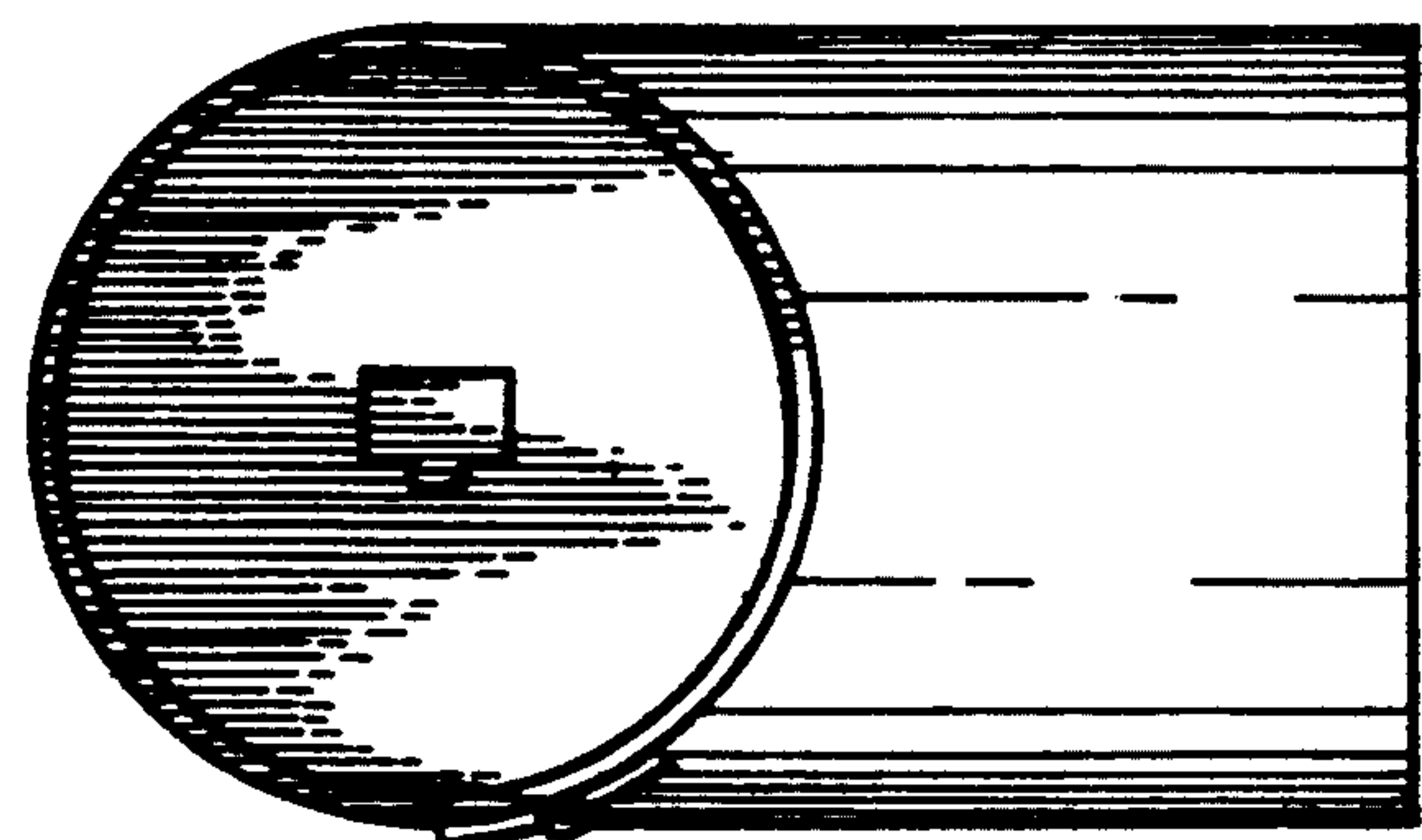
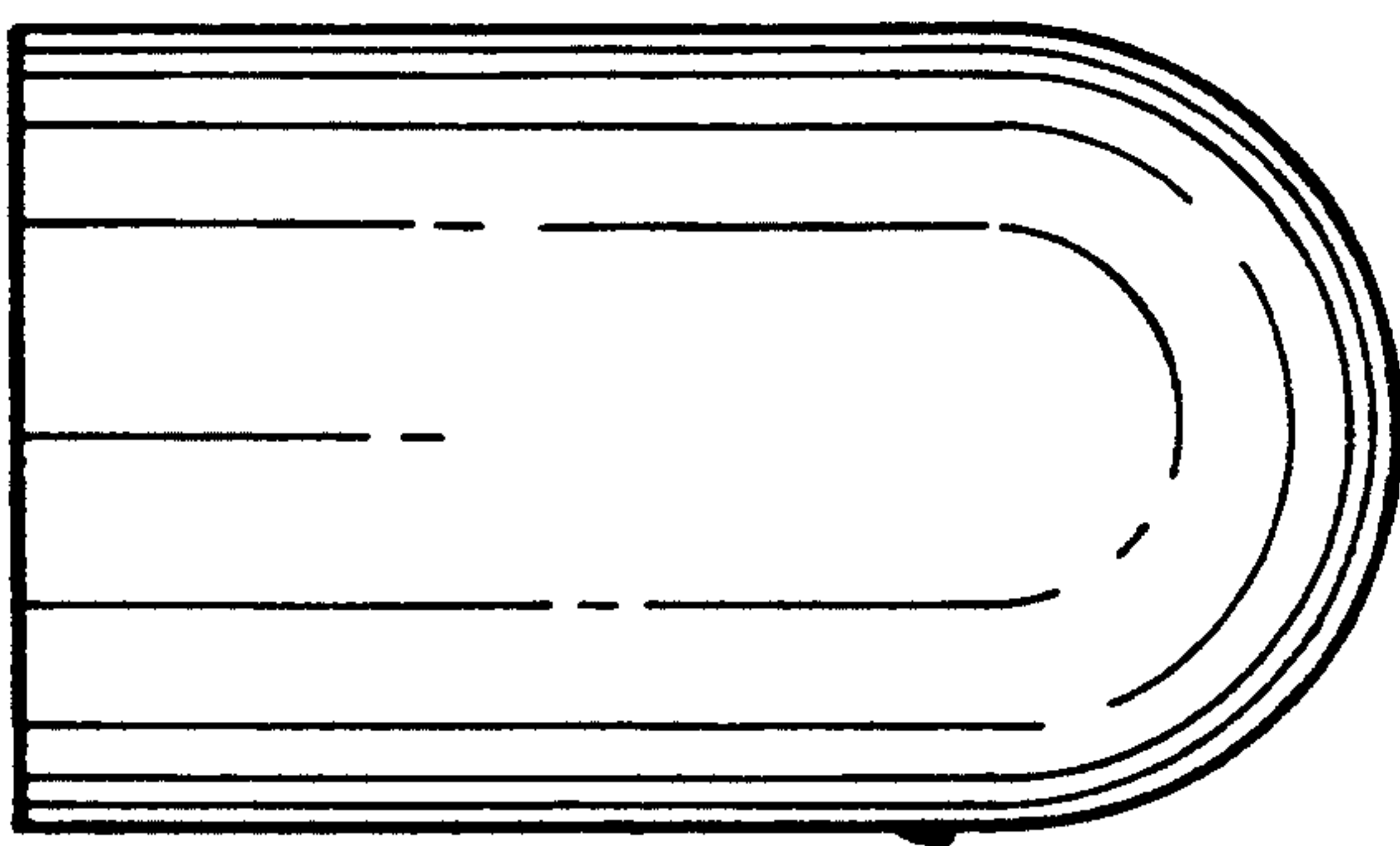
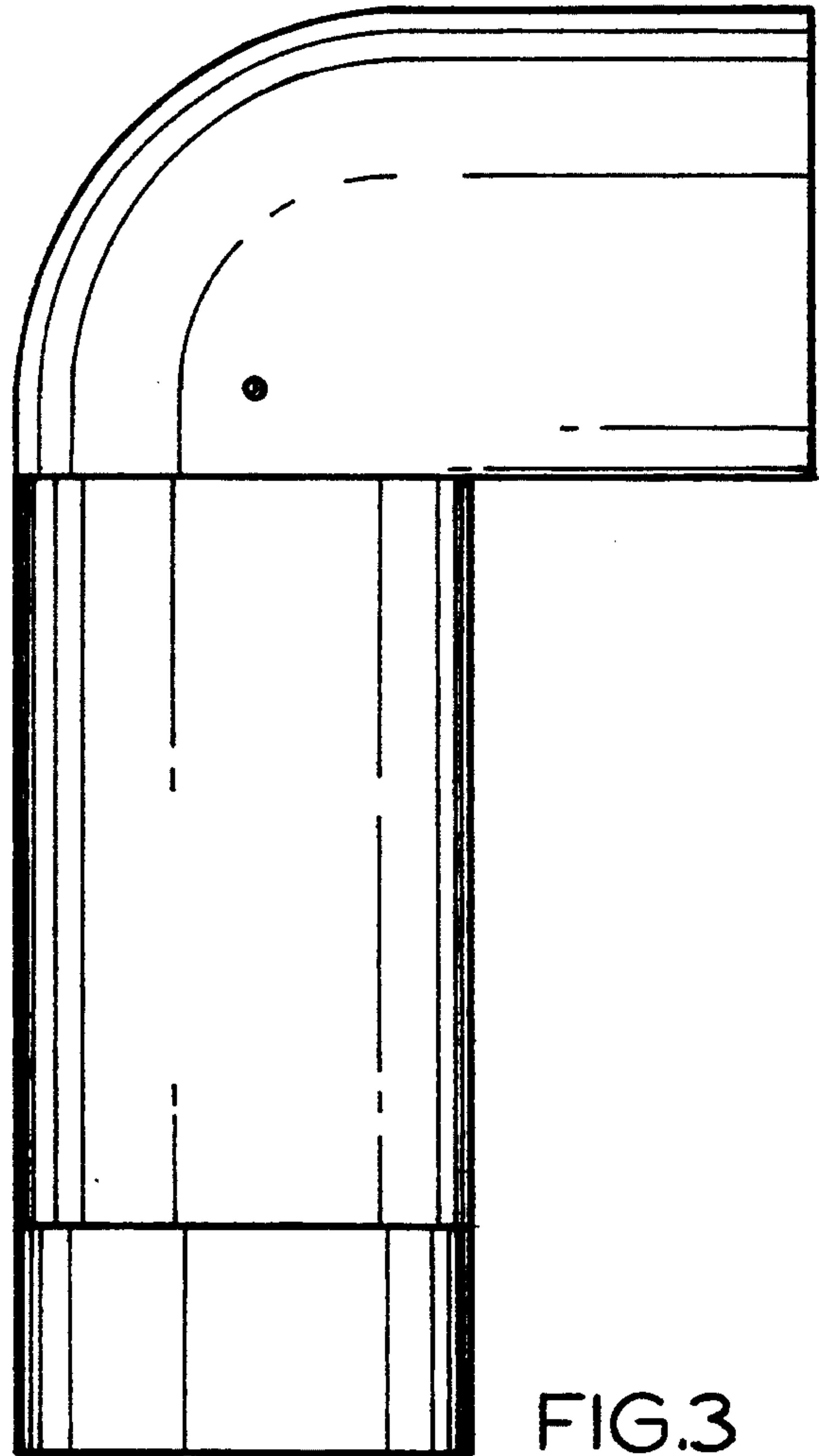
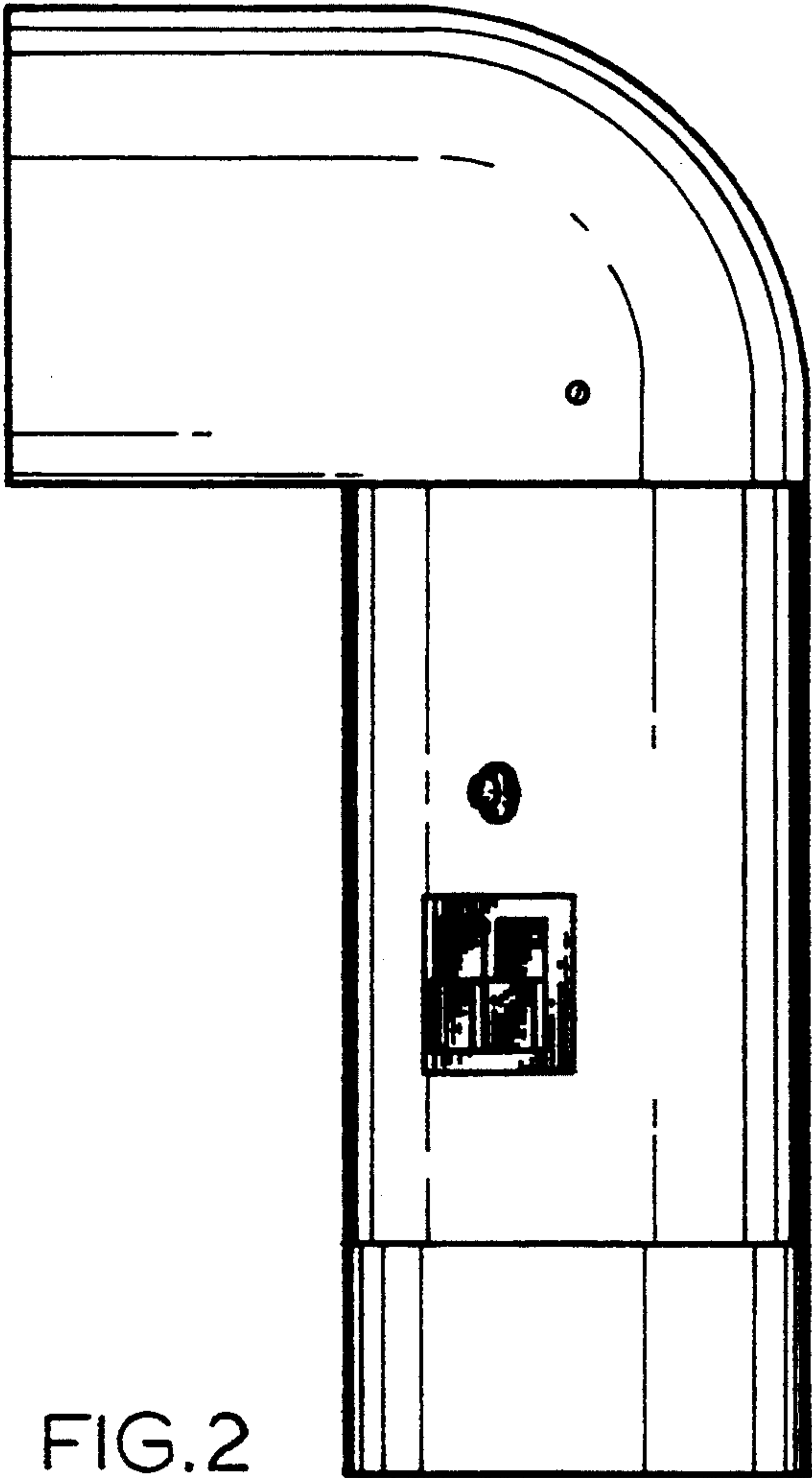


FIG.1



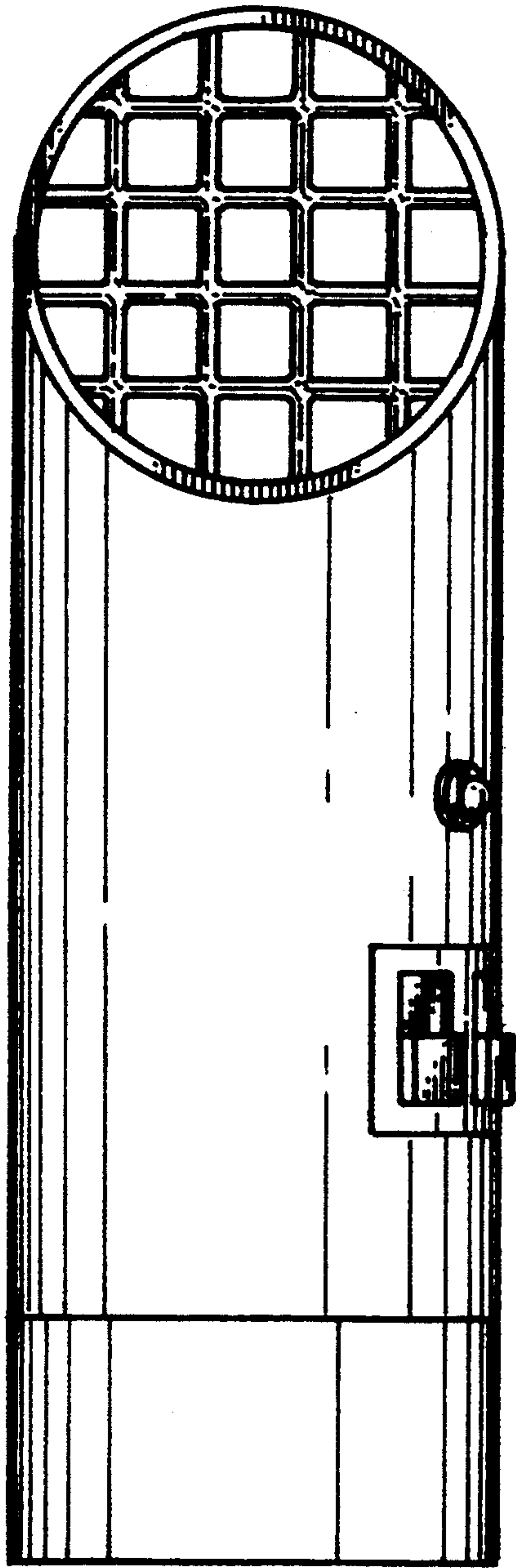


FIG. 4

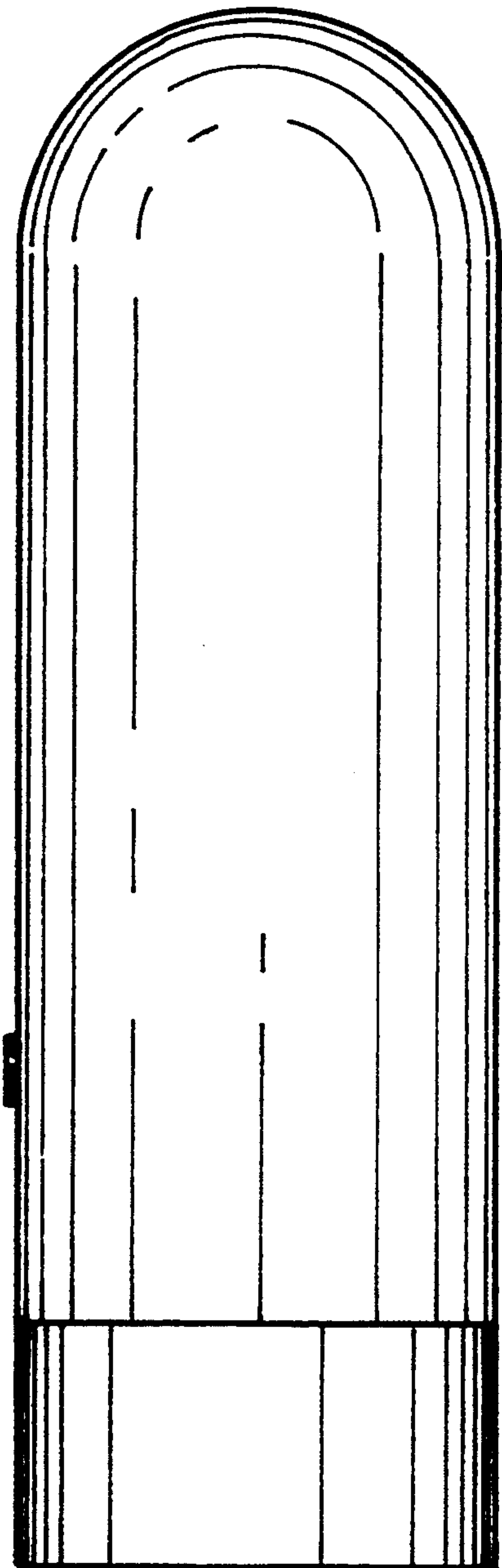


FIG. 5