



US00D352364S

United States Patent [19]

[11] Patent Number: **Des. 352,364**

Dietz

[45] Date of Patent: **** Nov. 8, 1994**

[54] SOAP BAR

3,796,665 3/1974 Allan 252/90
4,746,452 5/1988 Marek D28/8.1 X

[76] Inventor: **Richard G. Dietz**, 9 Buckout Rd.,
West Harrison, N.Y. 10604

FOREIGN PATENT DOCUMENTS

[**] Term: **14 Years**

2039787 2/1972 Germany 252/174
22205 of 1894 United Kingdom D28/
13065 of 1901 United Kingdom 252/92
286862 2/1927 United Kingdom D28/2
512289 9/1938 United Kingdom 252/92

[21] Appl. No.: **7,005**

[22] Filed: **Apr. 14, 1993**

[52] U.S. Cl. **D28/8.1**

[58] Field of Search 252/90-93,
252/134, 174, DIG. 16; 401/88; D28/8.1, 8.2

OTHER PUBLICATIONS

Blair Co. Cat #766 of 1969, p. 24: Soaps "C".

Primary Examiner—B. J. Bullock

Assistant Examiner—C. Tuttle

Attorney, Agent, or Firm—Sheldon Palmer

[56] References Cited

U.S. PATENT DOCUMENTS

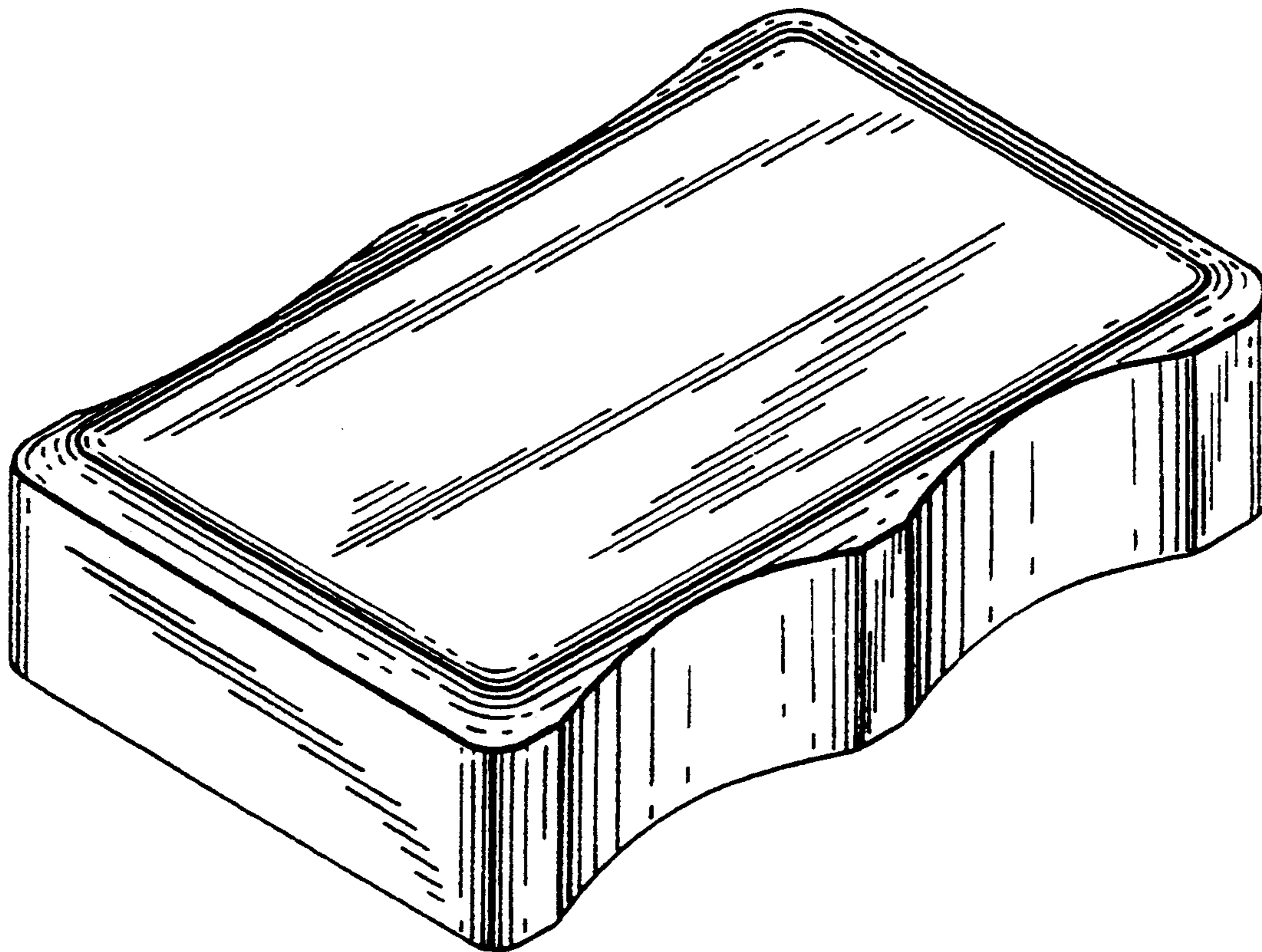
- D. 132,350 5/1942 Stoner et al. D28/8.1
- D. 202,314 9/1965 Simpson D28/8.1
- D. 255,727 7/1980 Grodin .
- D. 257,418 10/1980 Rosenthal D28/8.1 X
- D. 260,301 8/1981 O'Connor D28/8.1
- D. 262,663 1/1982 Neu et al. D28/8.1
- D. 263,885 4/1982 Blaszkowski D28/8.1
- D. 269,127 5/1983 Christianson D28/8.1
- D. 269,914 7/1983 Otsuka D28/8.1
- D. 271,910 12/1983 Blaszkowski D28/8.1
- D. 293,487 12/1987 Swanson D28/8.1
- D. 298,664 11/1988 Huff D28/8.1
- D. 302,339 7/1989 Russell D28/8.1
- D. 327,920 7/1992 Wesson D21/61

[57] CLAIM

The ornamental design for a soap bar, as shown and described.

DESCRIPTION

FIG. 1 is a top, side and end perspective view of the soap bar;
FIG. 2 is a side view of the soap bar, the opposite side being the same;
FIG. 3 is a top plan view of the soap bar, the bottom being the same; and,
FIG. 4 is an end view of the soap bar, the opposite end being the same.



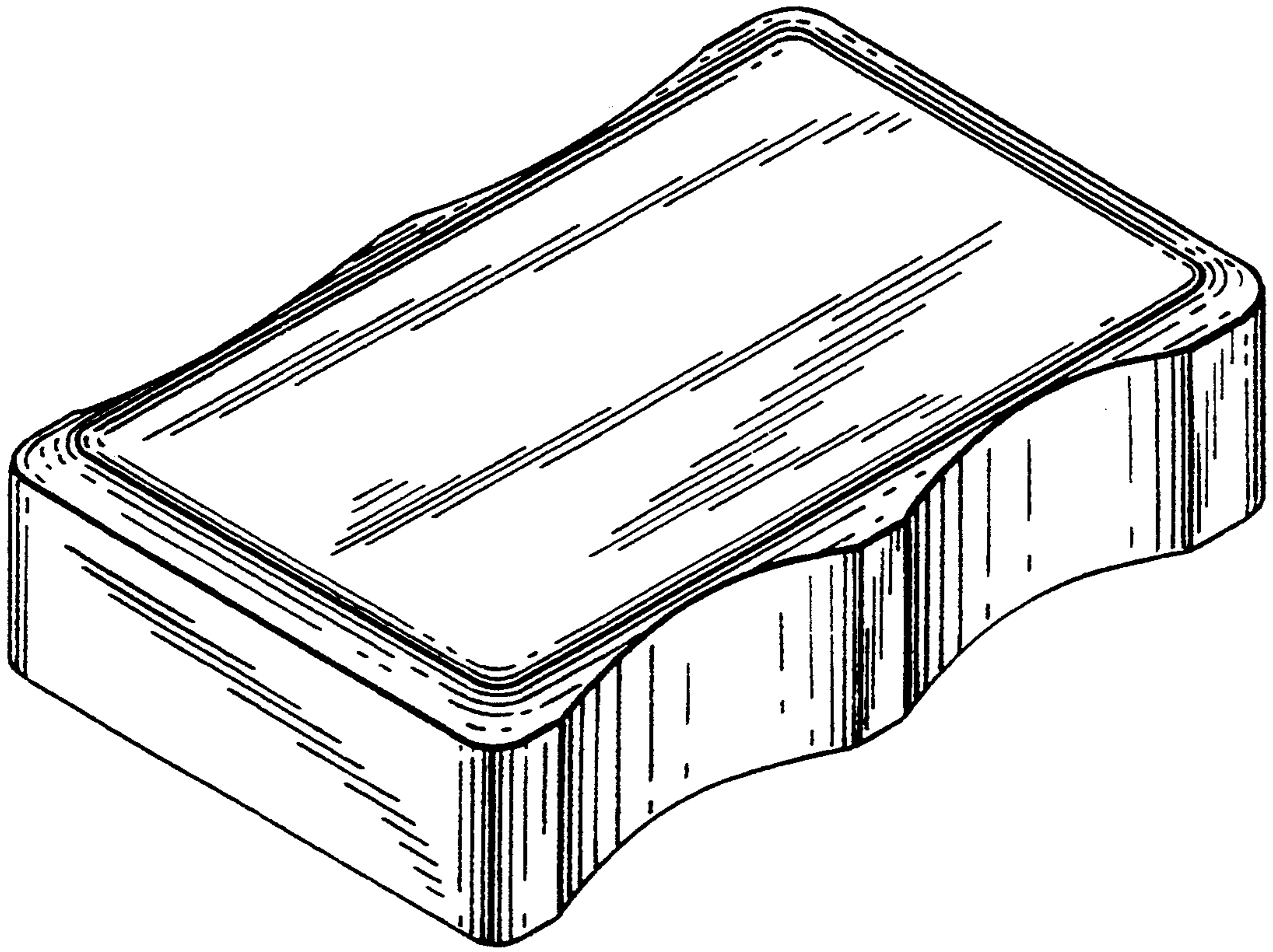
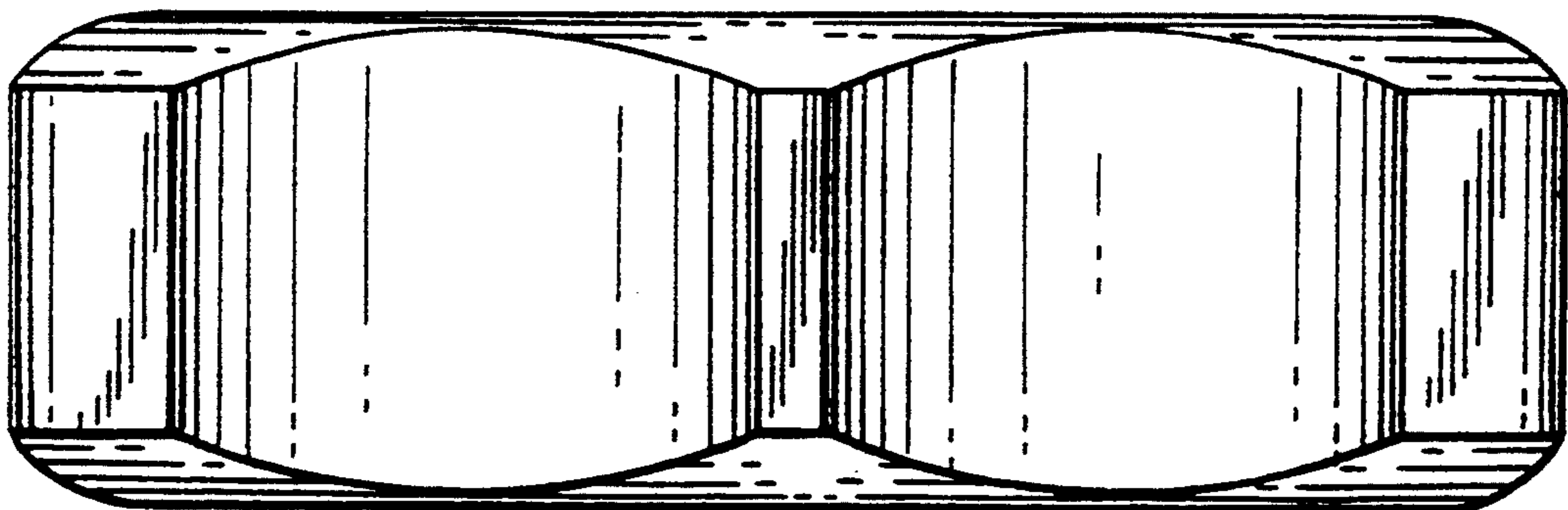


FIG. 1

FIG. 2



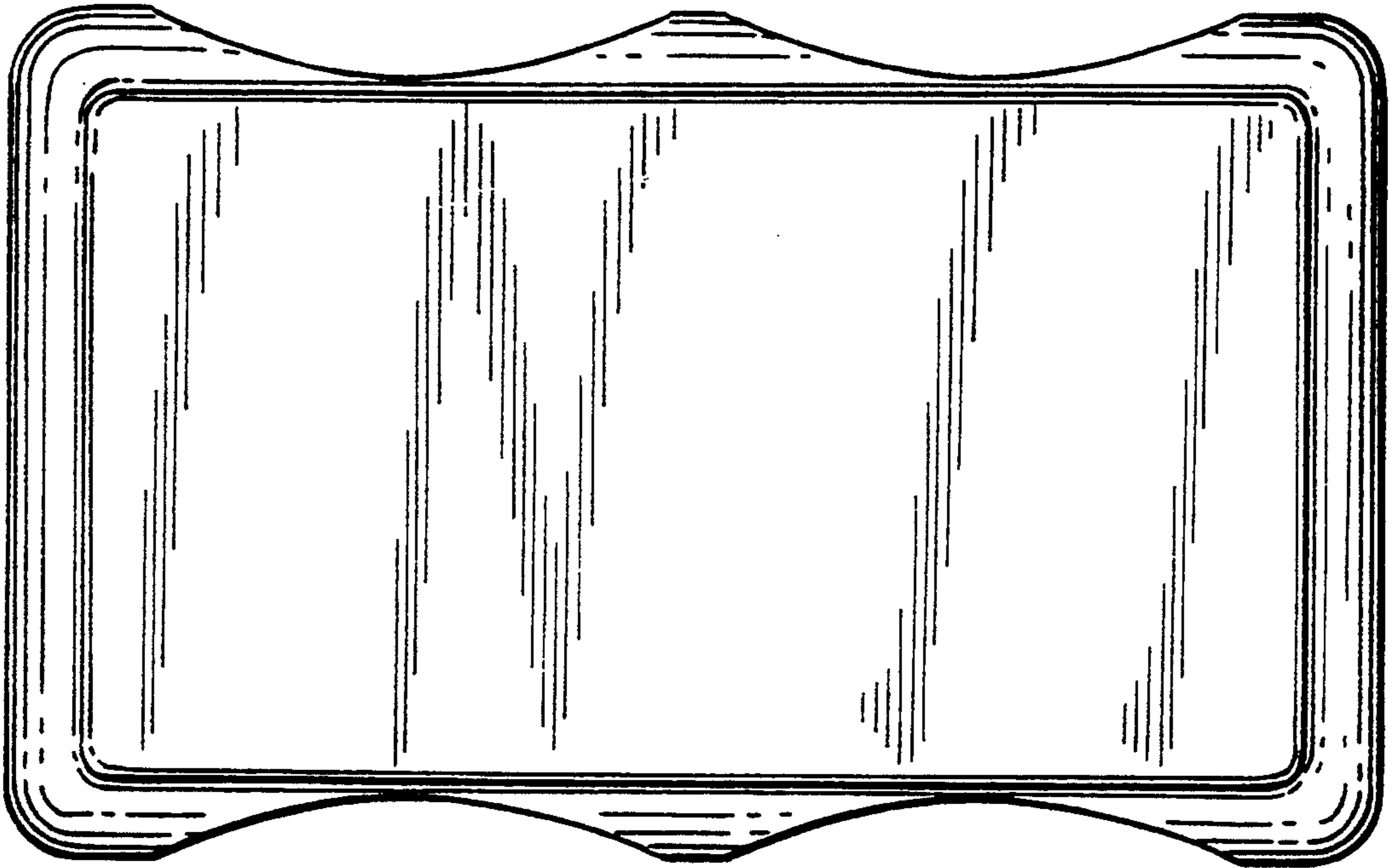


FIG. 3

FIG. 4

