



US00D352362S

United States Patent [19]
Anderson

[11] **Patent Number: Des. 352,362**
[45] **Date of Patent: ** Nov. 8, 1994**

[54] **MOLDING**

4,676,016 6/1987 Phillips et al. D25/119

[76] **Inventor: Carl E. Anderson, 2589 Richmond Ter., Staten Island, N.Y. 10303**

Primary Examiner—A. Hugo Word
Assistant Examiner—Doris Clark
Attorney, Agent, or Firm—Helfgott & Karas

[**] **Term: 14 Years**

[57] **CLAIM**

[21] **Appl. No.: 4,373**

The ornamental design for a molding, as show and described.

[22] **Filed: Feb. 3, 1993**

[52] **U.S. Cl. D25/136; D25/164**

[58] **Field of Search 52/287.1, 290, 292, 52/288.1; D25/119, 136, 164**

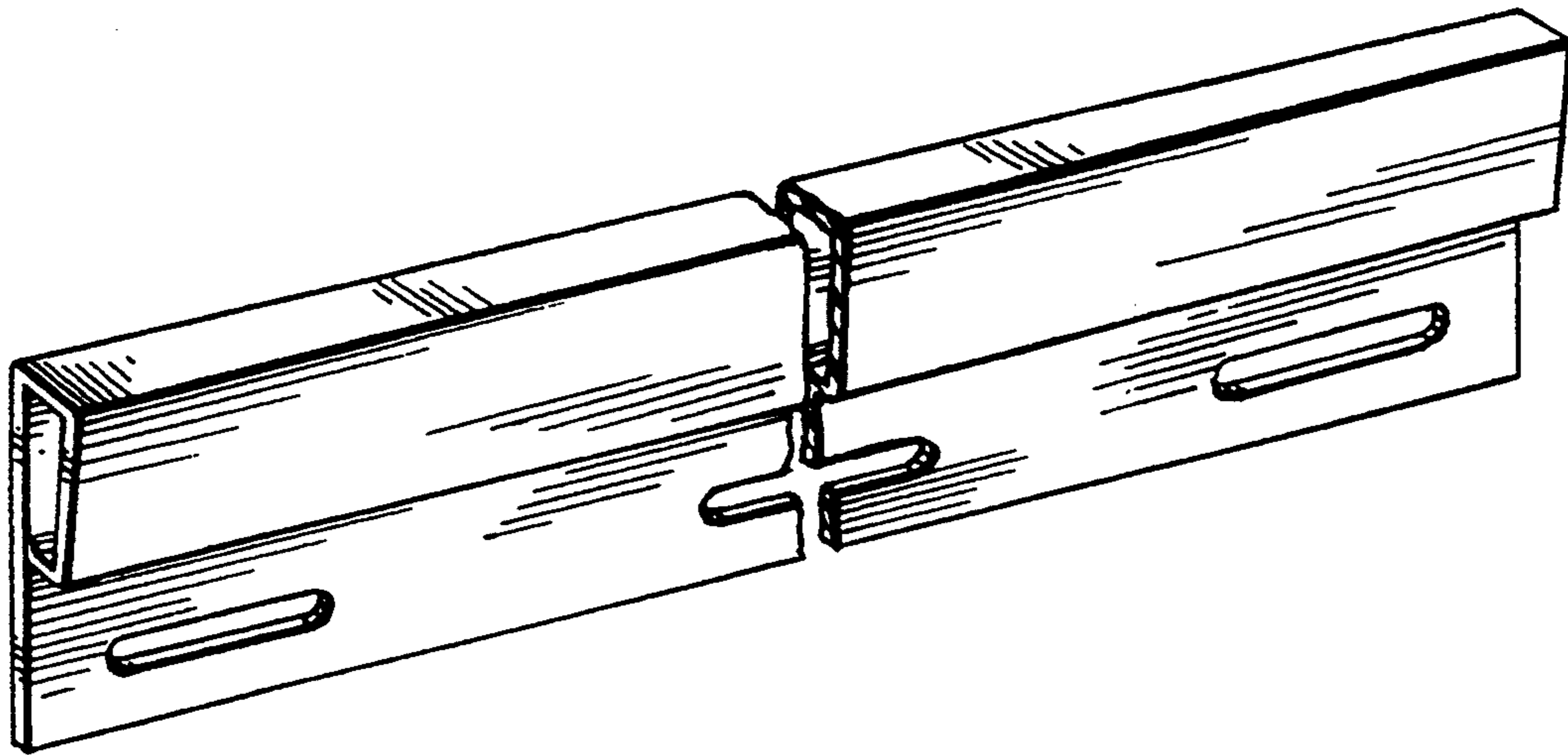
DESCRIPTION

[56] **References Cited**

U.S. PATENT DOCUMENTS

D. 299,273 1/1989 Puttman, Jr. D25/136
3,475,871 11/1969 Saunders et al. 52/287.1
4,512,127 4/1985 Attanan D25/119
4,622,791 11/1986 Cook et al. 52/288.1

FIG. 1 is a perspective view of the molding;
FIG. 2 is a top view thereof;
FIG. 3 is a front view thereof;
FIG. 4 is a side-edge view thereof; the other side being identical thereto;
FIG. 5 is a bottom view thereof; and,
FIG. 6 is a rear view thereof.
The molding has been broken away in the center to show indeterminate length.



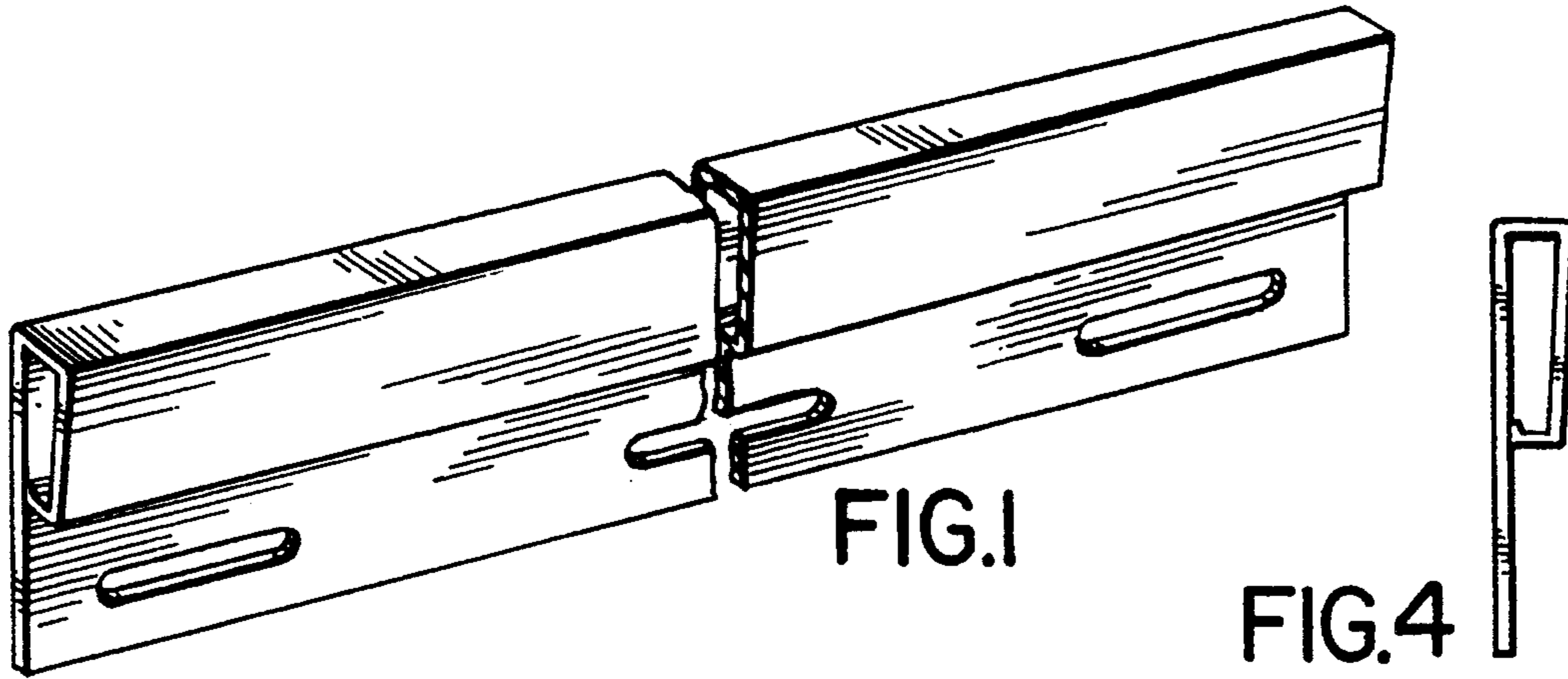


FIG. 2

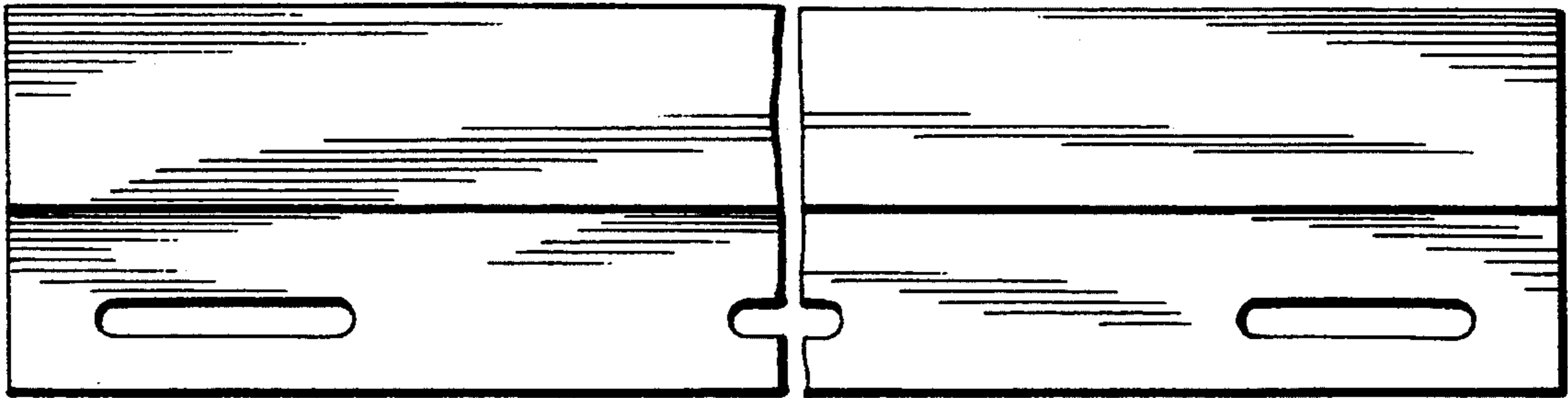


FIG. 3



FIG. 5

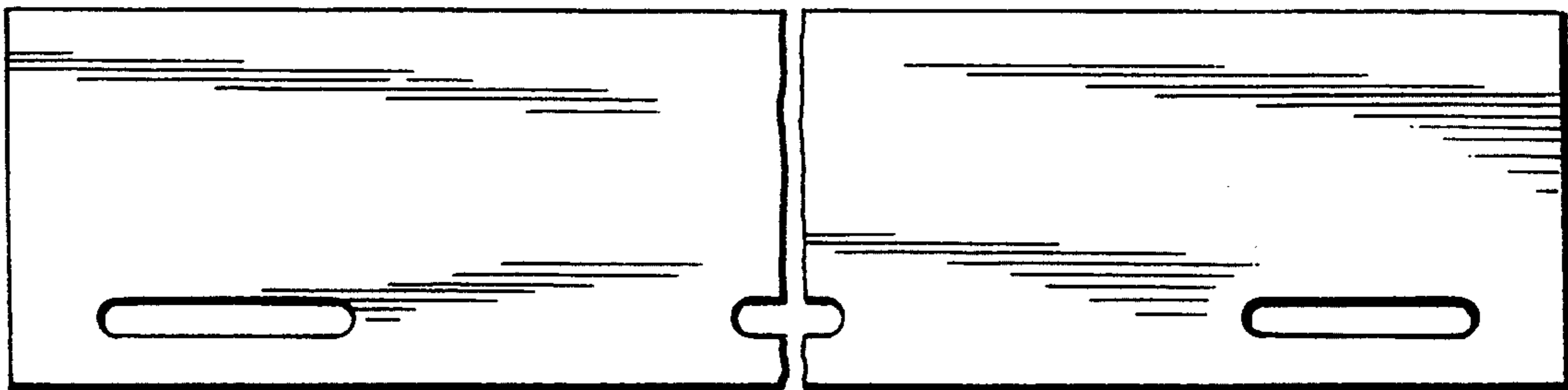


FIG. 6