



US00D352361S

United States Patent [19] Tellier

[11] Patent Number: **Des. 352,361**
[45] Date of Patent: **** Nov. 8, 1994**

[54] **TOILET**

[75] Inventor: **Daniel Tellier, Guyancourt, France**

[73] Assignee: **JC Decaux, Neuilly Sur Seine, France**

[**] Term: **14 Years**

[21] Appl. No.: **9,743**

[22] Filed: **Jun. 22, 1993**

[30] **Foreign Application Priority Data**

Mar. 24, 1993 [FR] France 931 587

[52] U.S. Cl. **D25/16**

[58] Field of Search 4/460, 459, 462;
D25/33, 16, 31, 1

[56] **References Cited**

U.S. PATENT DOCUMENTS

D. 121,104 6/1940 Stewart et al. D25/16 X
D. 151,648 11/1948 Marrow D25/31 X

D. 206,864 2/1967 Noyes D25/31
D. 265,685 8/1982 Decaux D25/16
D. 285,005 8/1986 Italiane D25/16
1,780,251 11/1930 Teplow D25/16 X

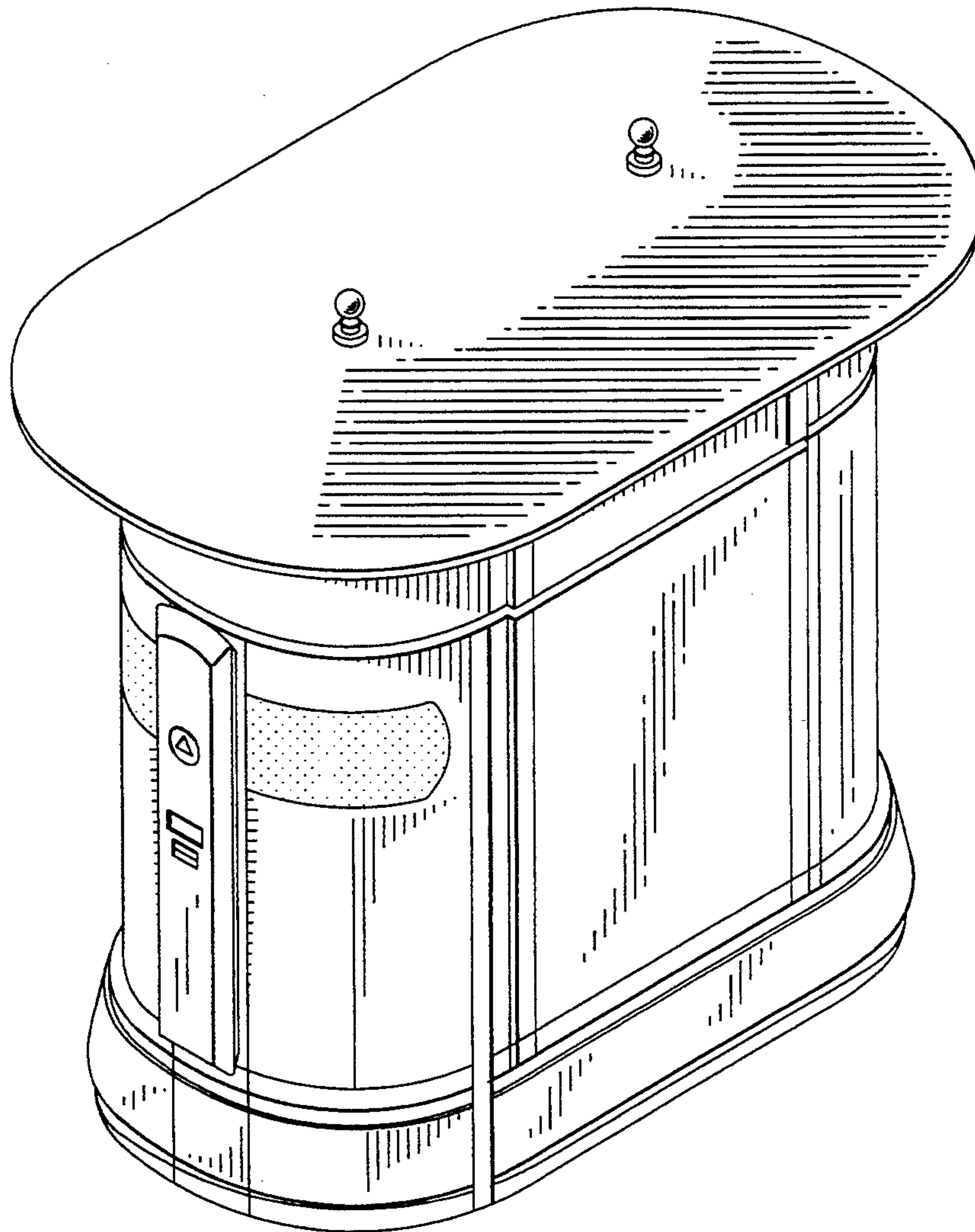
Primary Examiner—A. Hugo Word
Assistant Examiner—Doris V. Coles
Attorney, Agent, or Firm—Wegner, Cantor, Mueller & Player

[57] **CLAIM**

The ornamental design for a toilet, as shown and described.

DESCRIPTION

FIG. 1 is a front view of a toilet showing my new design;
FIG. 2 is a left side view thereof;
FIG. 3 is a back view thereof;
FIG. 4 is a right-side view thereof;
FIG. 5 is a bottom view thereof;
FIG. 6 is a top view thereof; and
FIG. 7 is a top perspective view thereof.



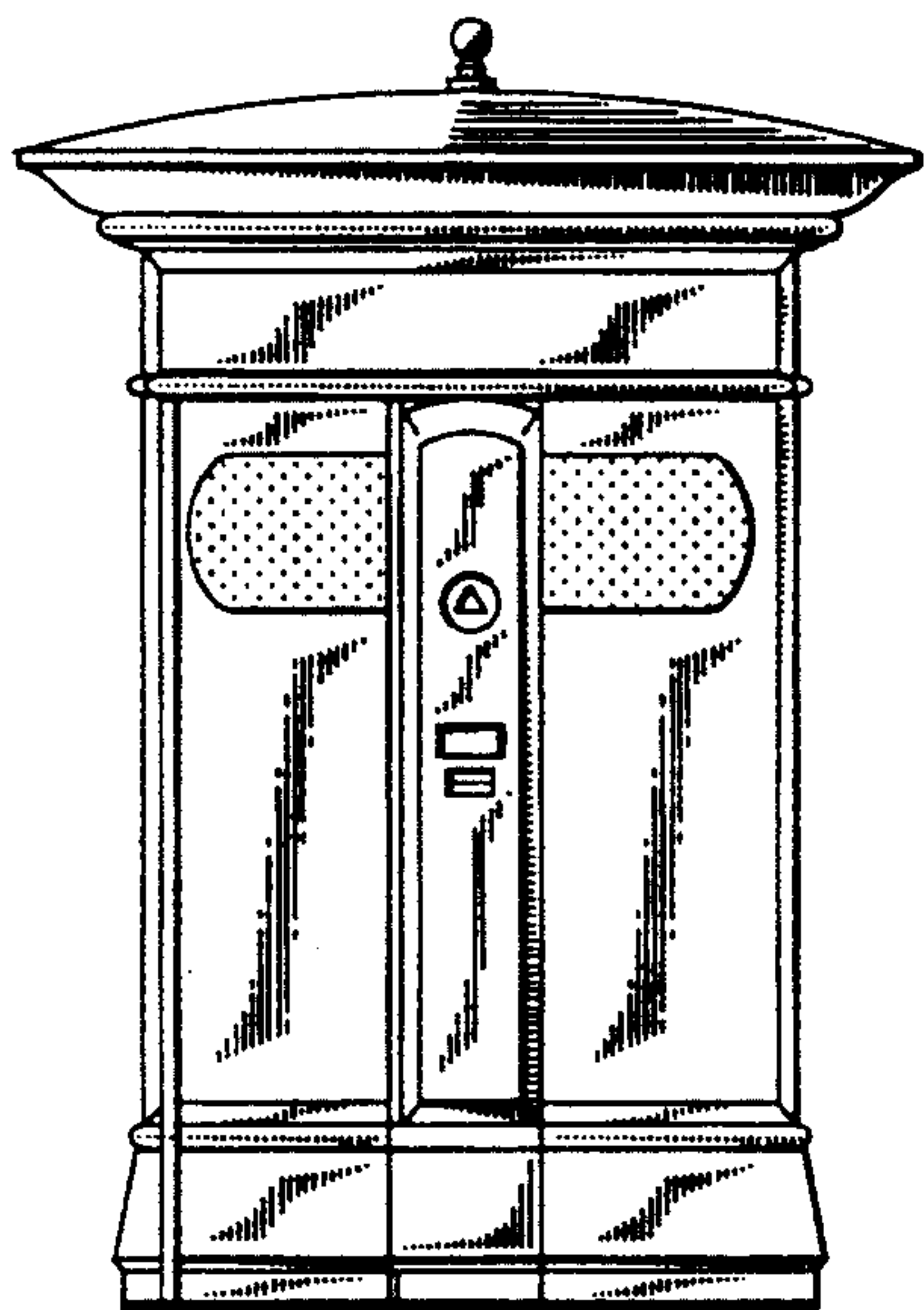


FIG. 1

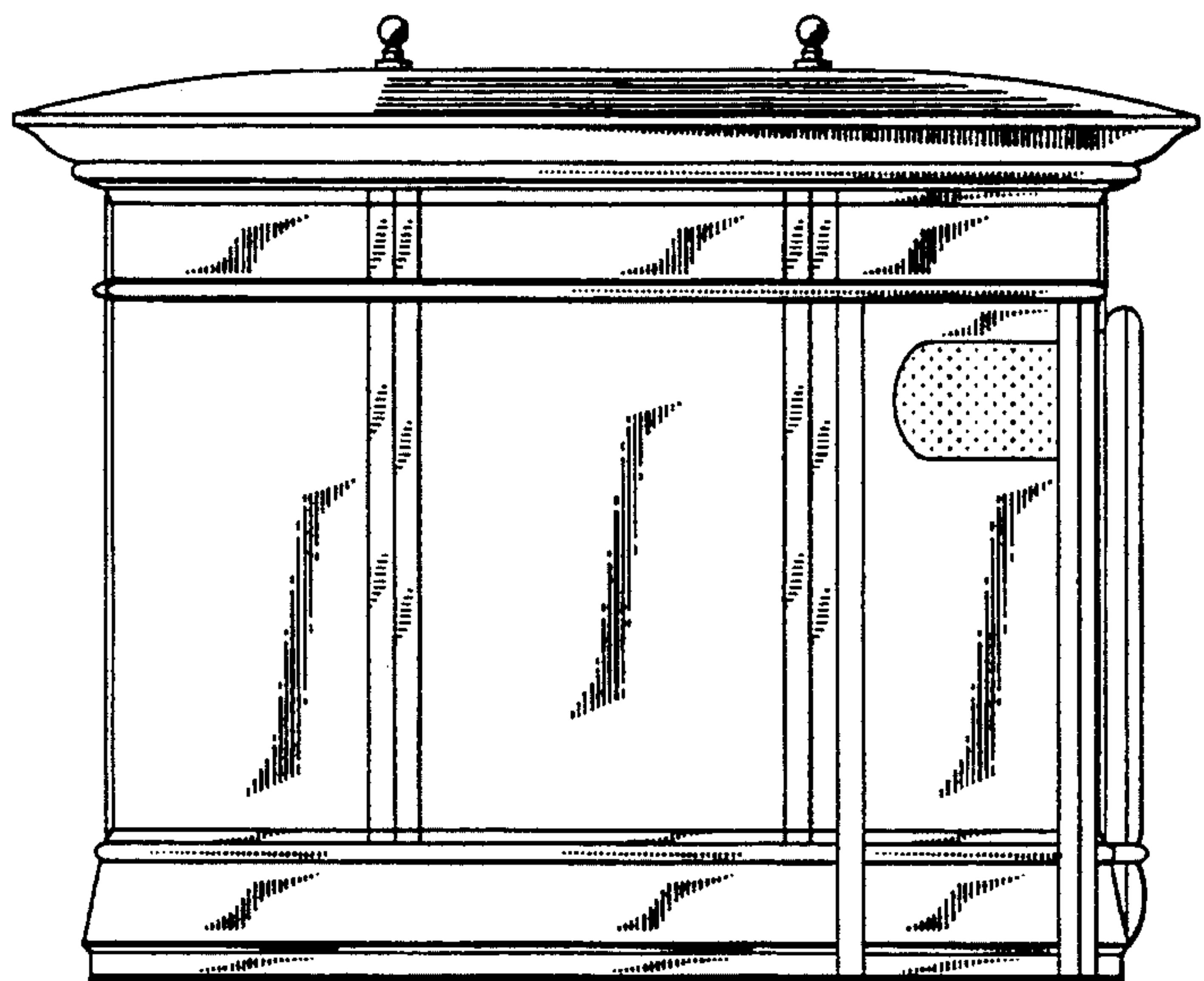


FIG. 2

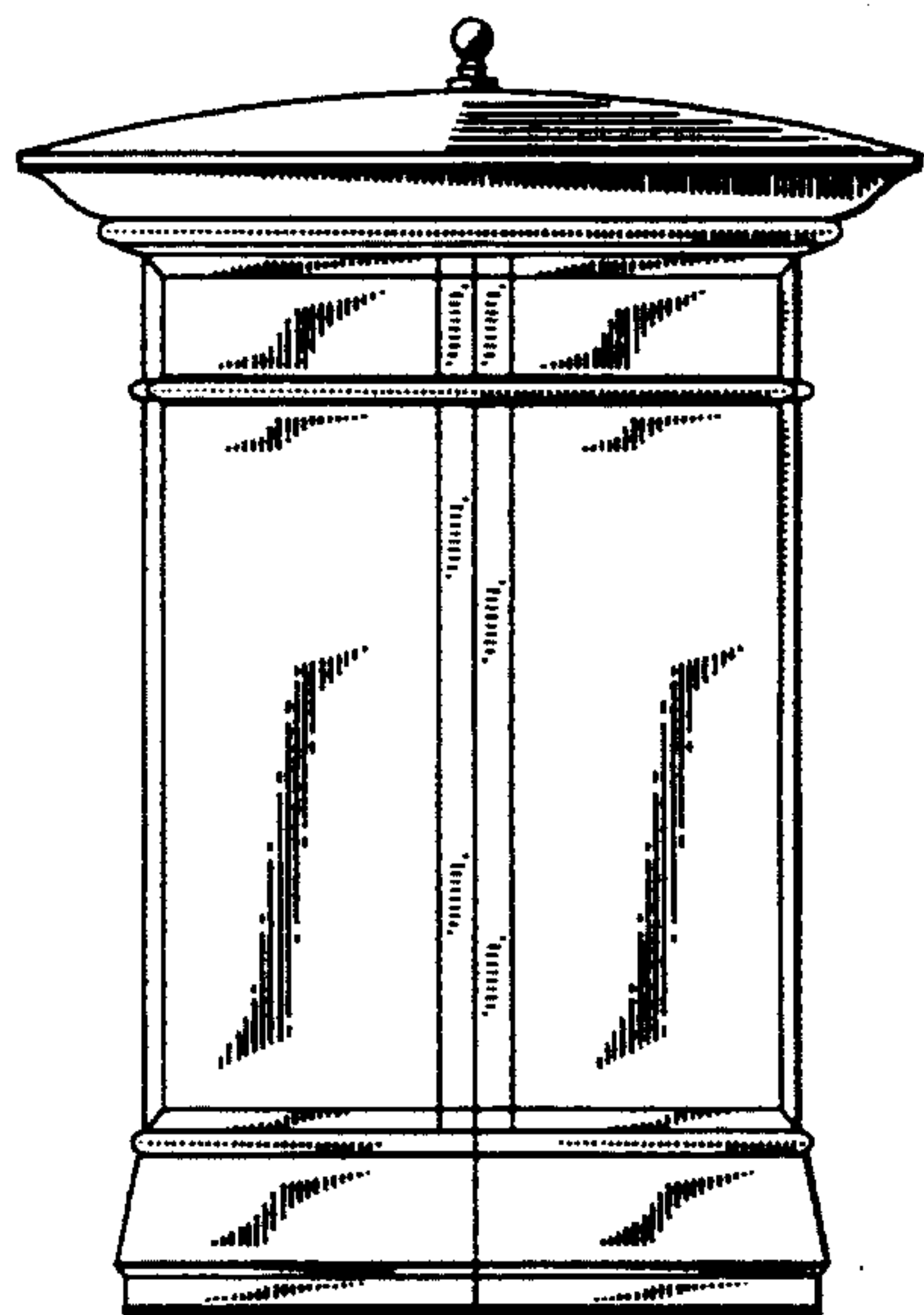


FIG. 3

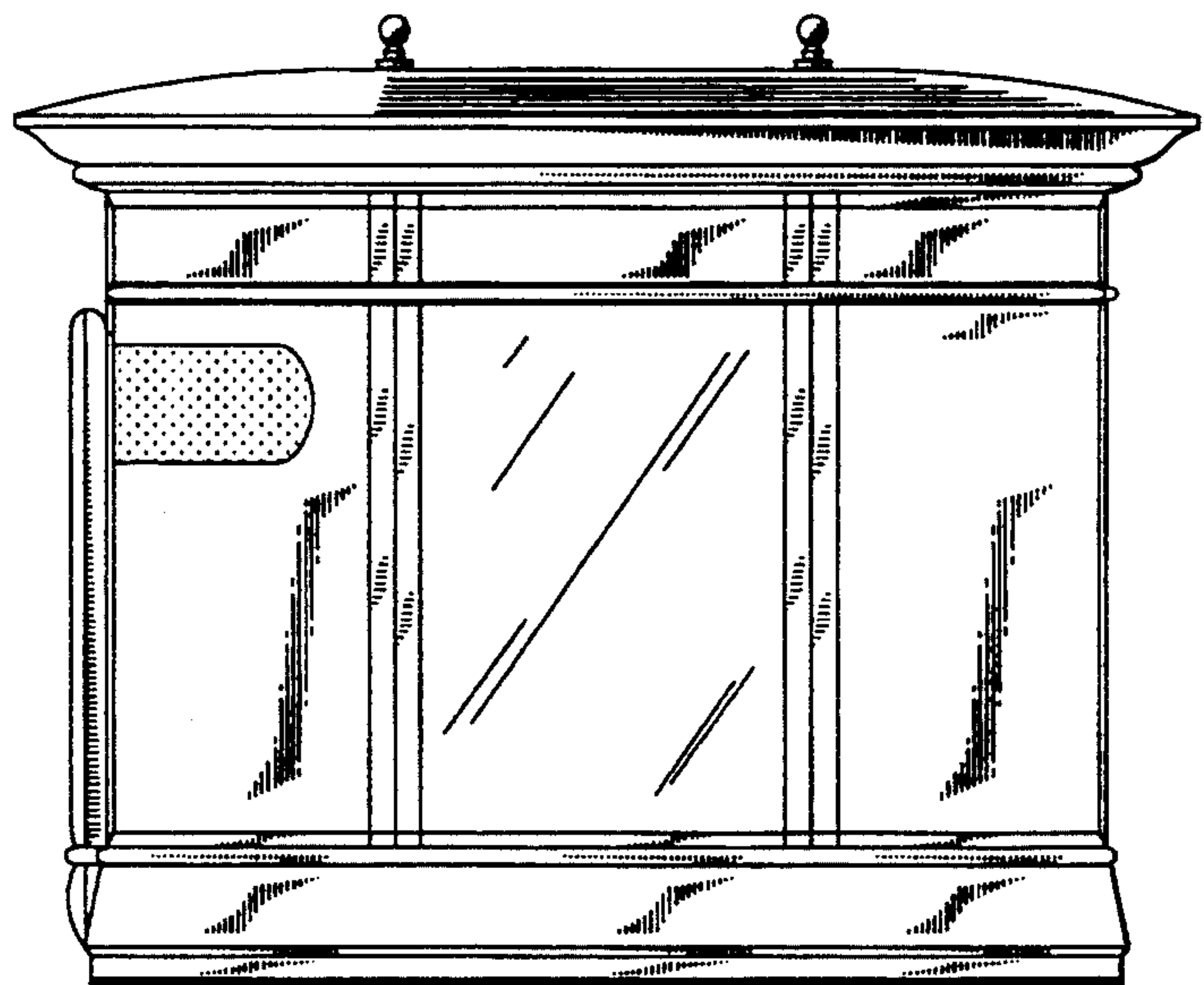


FIG. 4

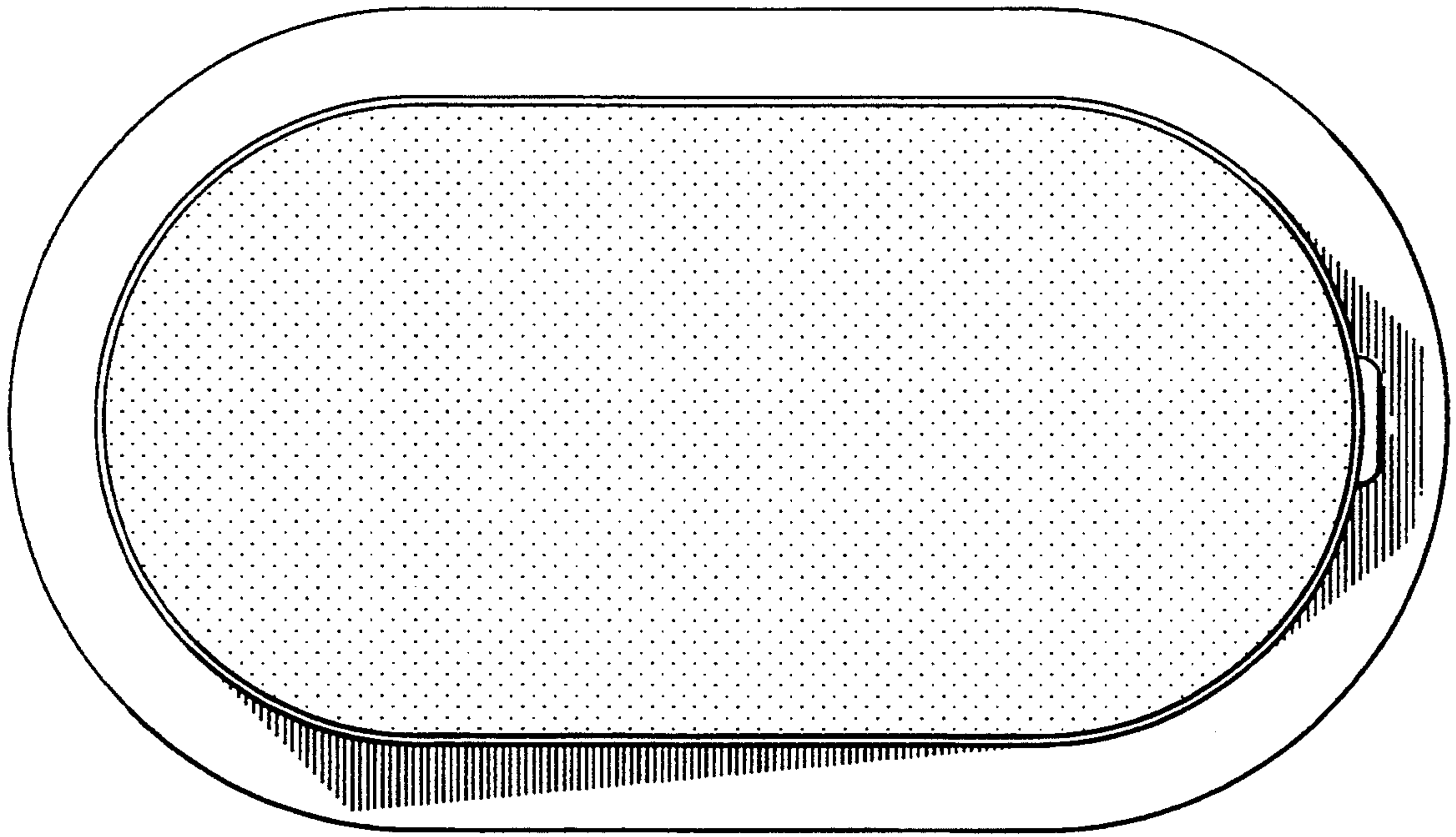


FIG. 5

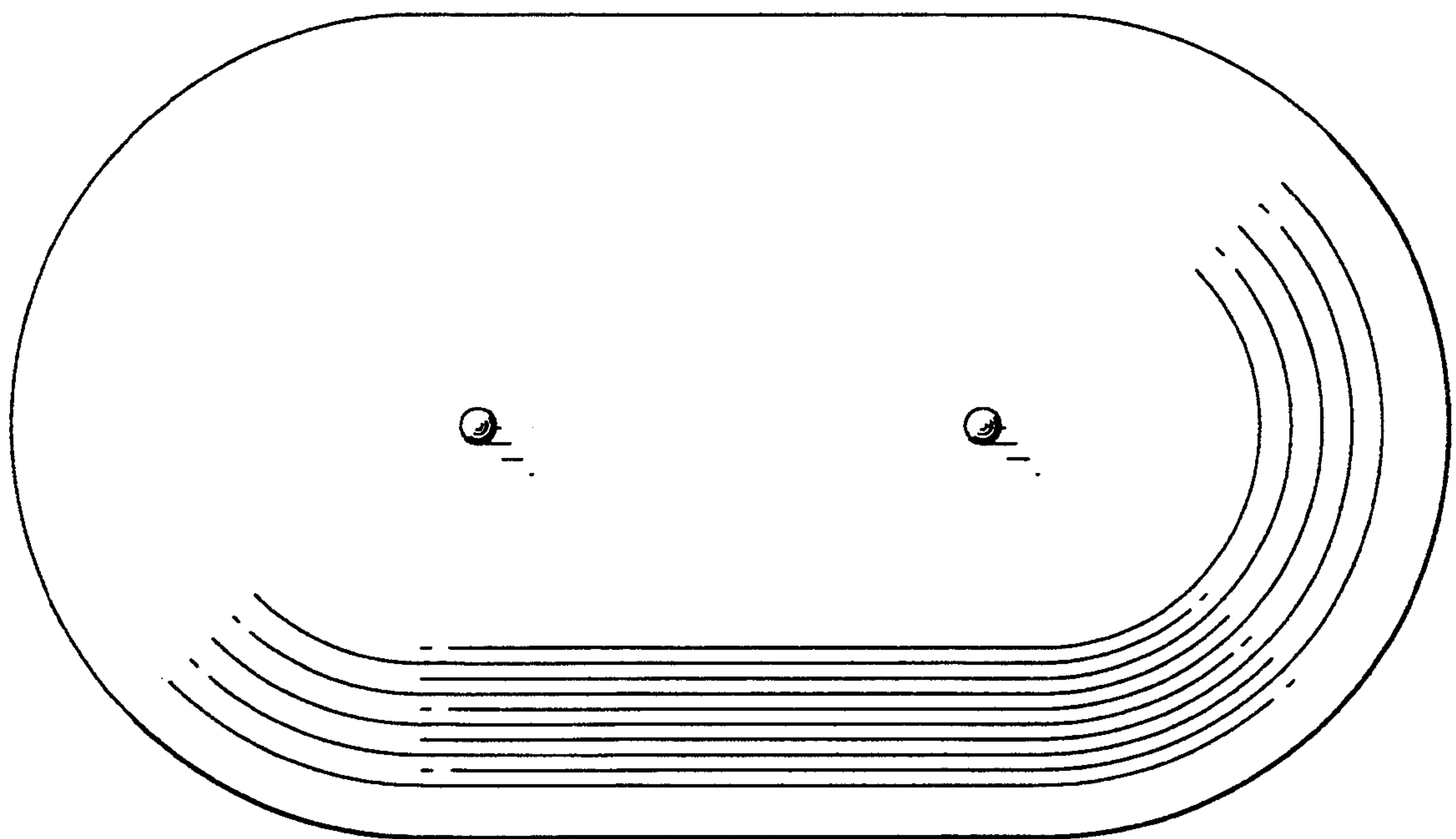


FIG. 6

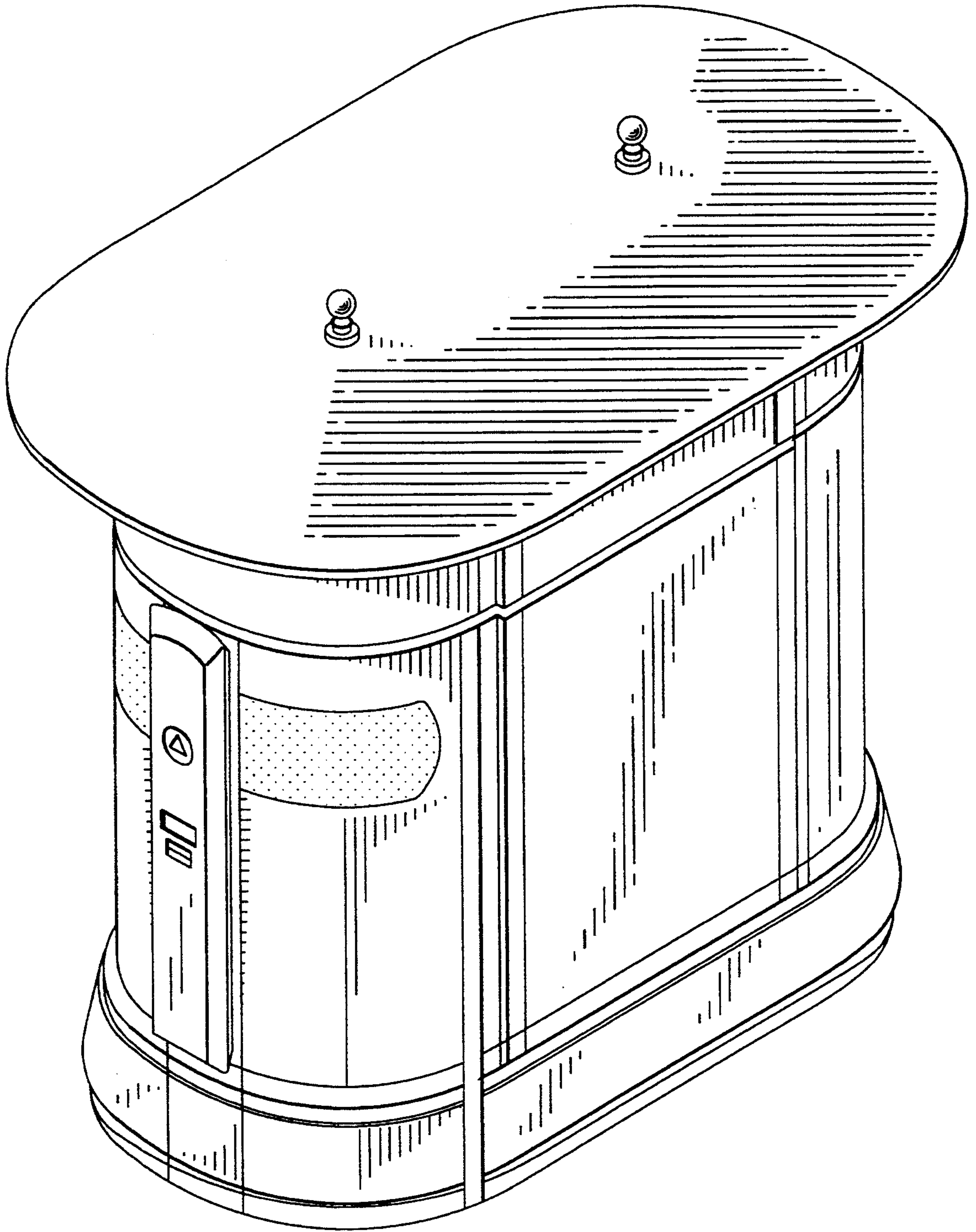


FIG. 7