



US00D352359S

United States Patent [19]

Vorhis

[11] Patent Number: **Des. 352,359**

[45] Date of Patent: **** Nov. 8, 1994**

[54] **WATER BAG**

[75] Inventor: **Daniel J. Vorhis, Seattle, Wash.**

[73] Assignee: **Mountain Safety Research, Inc., Seattle, Wash.**

[**] Term: **14 Years**

[21] Appl. No.: **525,630**

[22] Filed: **May 21, 1990**

[52] U.S. Cl. **D24/207**

[58] Field of Search 215/11.1-11.6;
383/907, 901; D9/305; D24/206-208;
D12/114, 126

[56] **References Cited**

U.S. PATENT DOCUMENTS

- D. 32,787 6/1900 Vigne D24/207
- D. 52,078 6/1918 Manley D24/207 X
- D. 304,546 11/1989 Cattach D9/305
- D. 319,421 8/1991 Kerezman D12/114

2,855,968 10/1958 O'Malley D24/207 X
4,640,425 2/1987 Cabernoch 215/11.6

Primary Examiner—Louis S. Zarfes
Attorney, Agent, or Firm—Seed & Berry

[57] **CLAIM**

The ornamental design for a water bag, as shown and described.

DESCRIPTION

FIG. 1 is an isometric view of a water bag showing my new design;
 FIG. 2 is a top plan view;
 FIG. 3 is a bottom plan view;
 FIG. 4 is an edge view;
 FIG. 5 is an end view;
 FIG. 6 is an isometric view of a water bag showing a modified form of my new design with grommets and cord; and,
 FIG. 7 is a bottom plan view showing the water bag with optional grommets and cord attached.

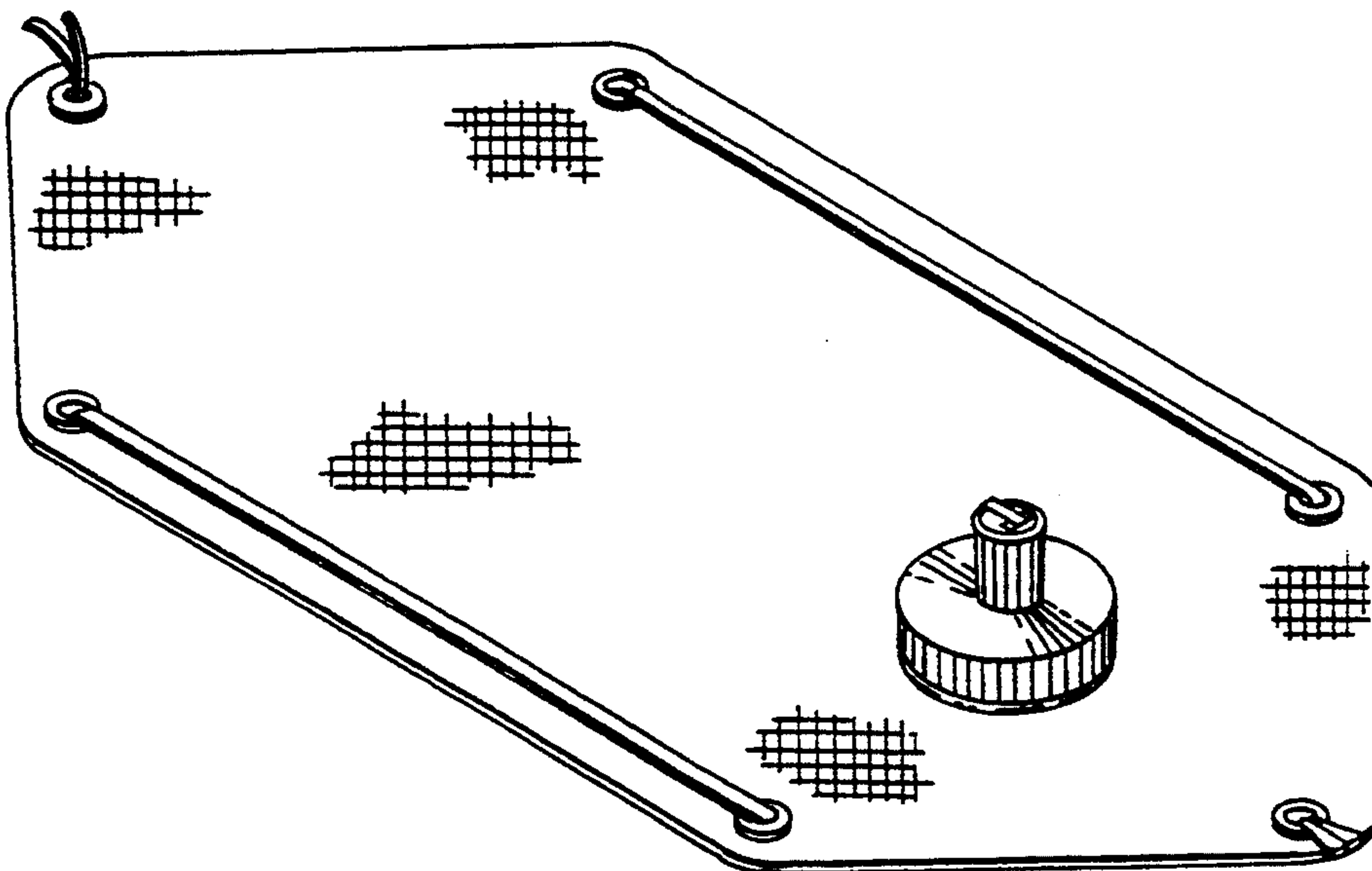
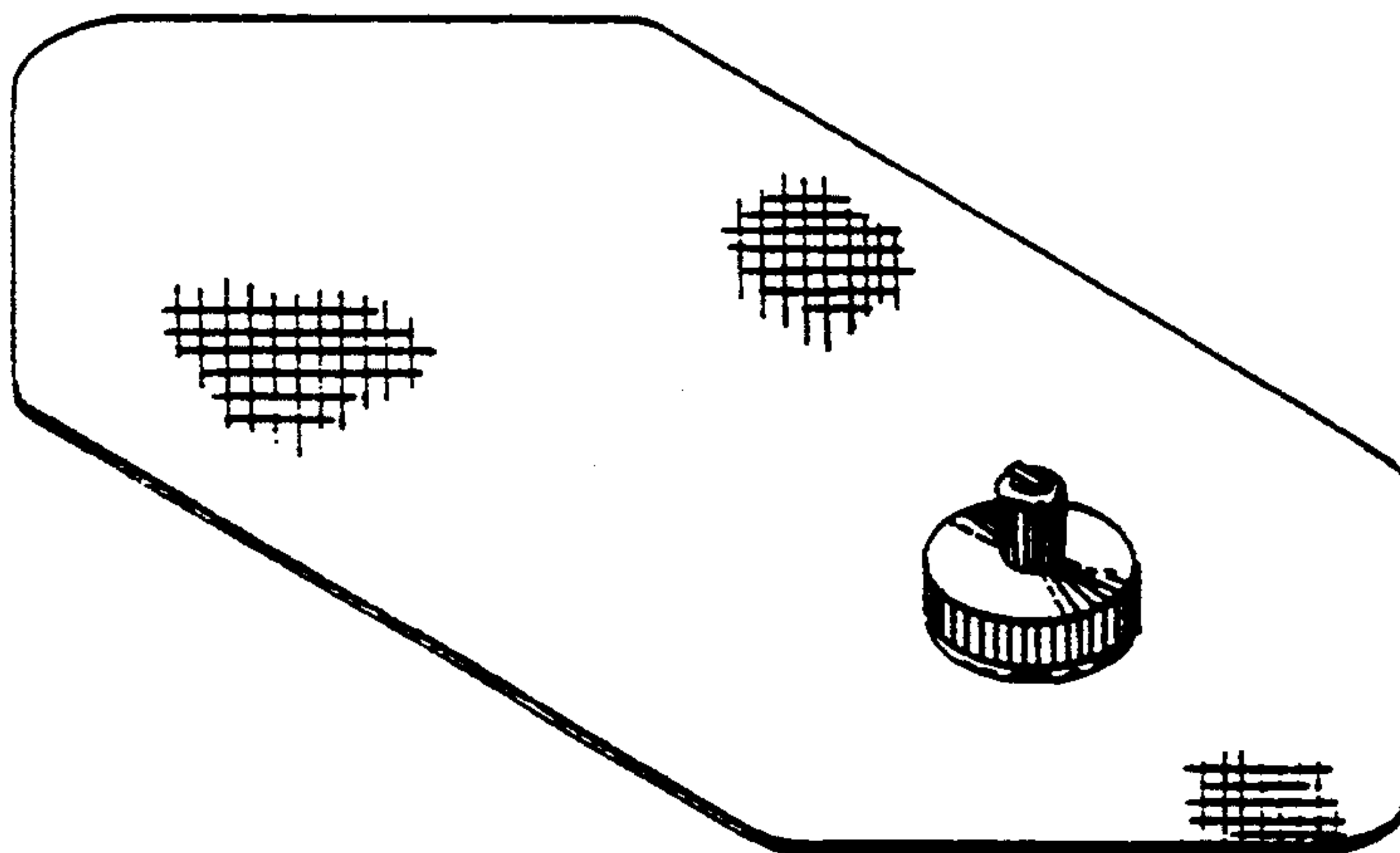


FIG. 1

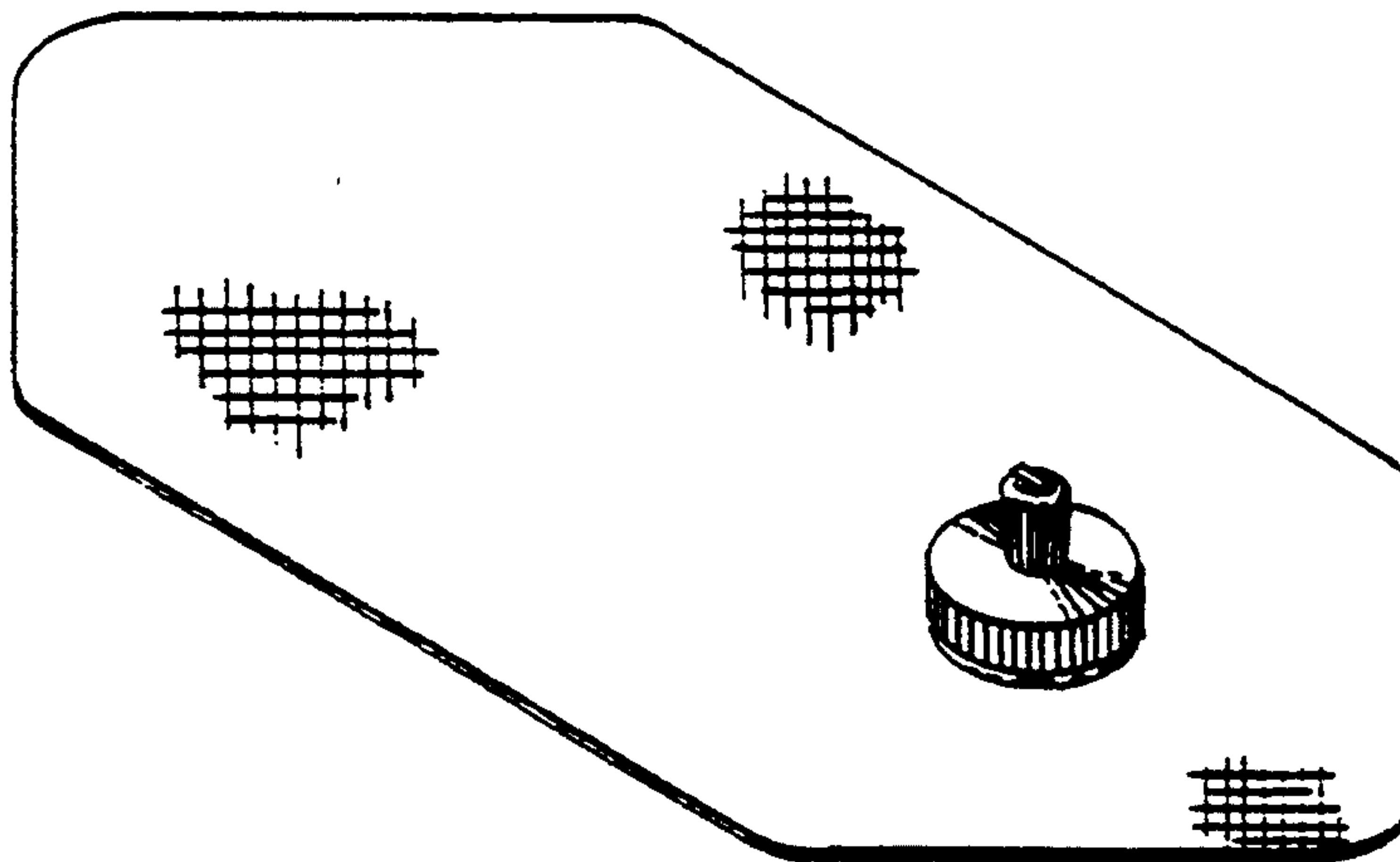


FIG. 2

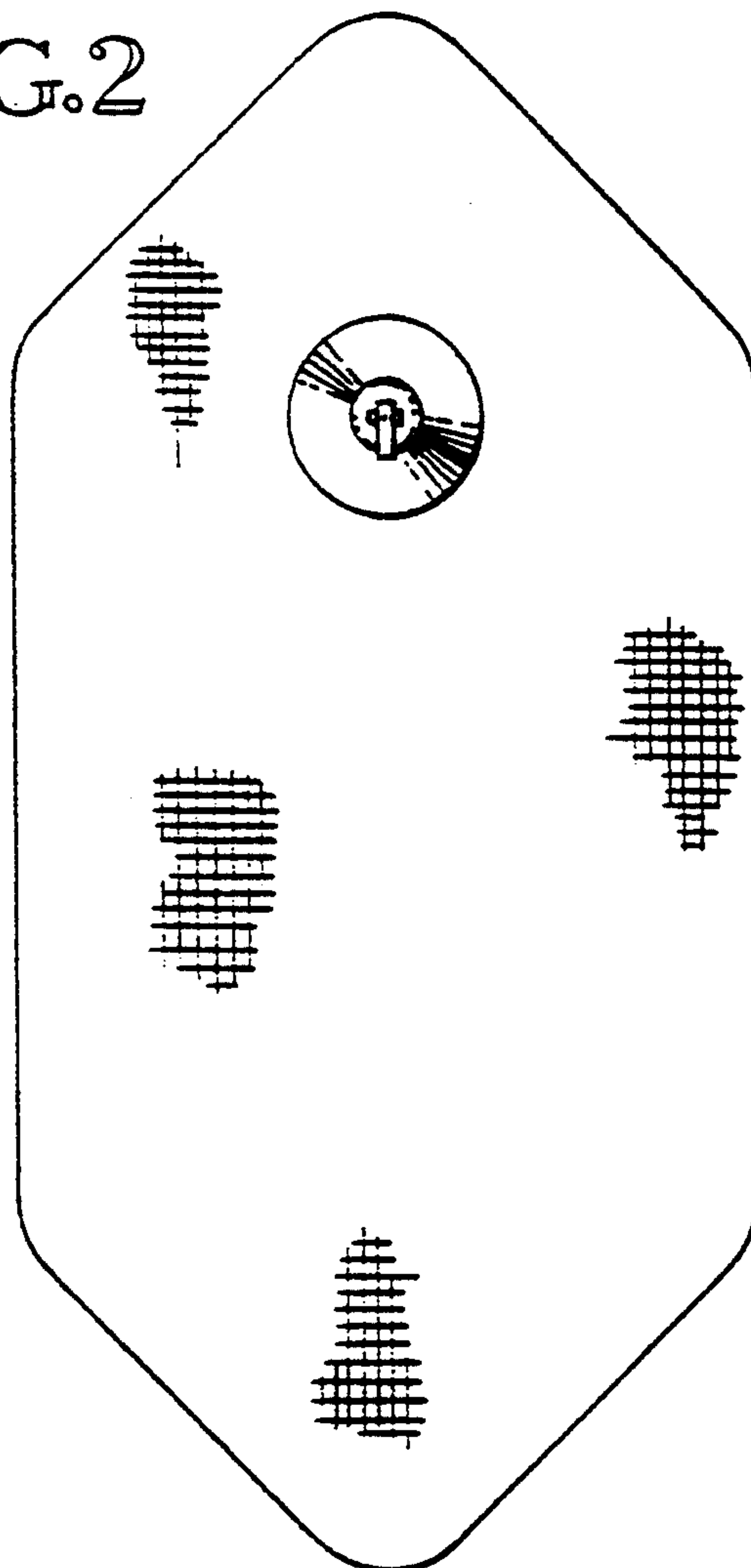


FIG.3

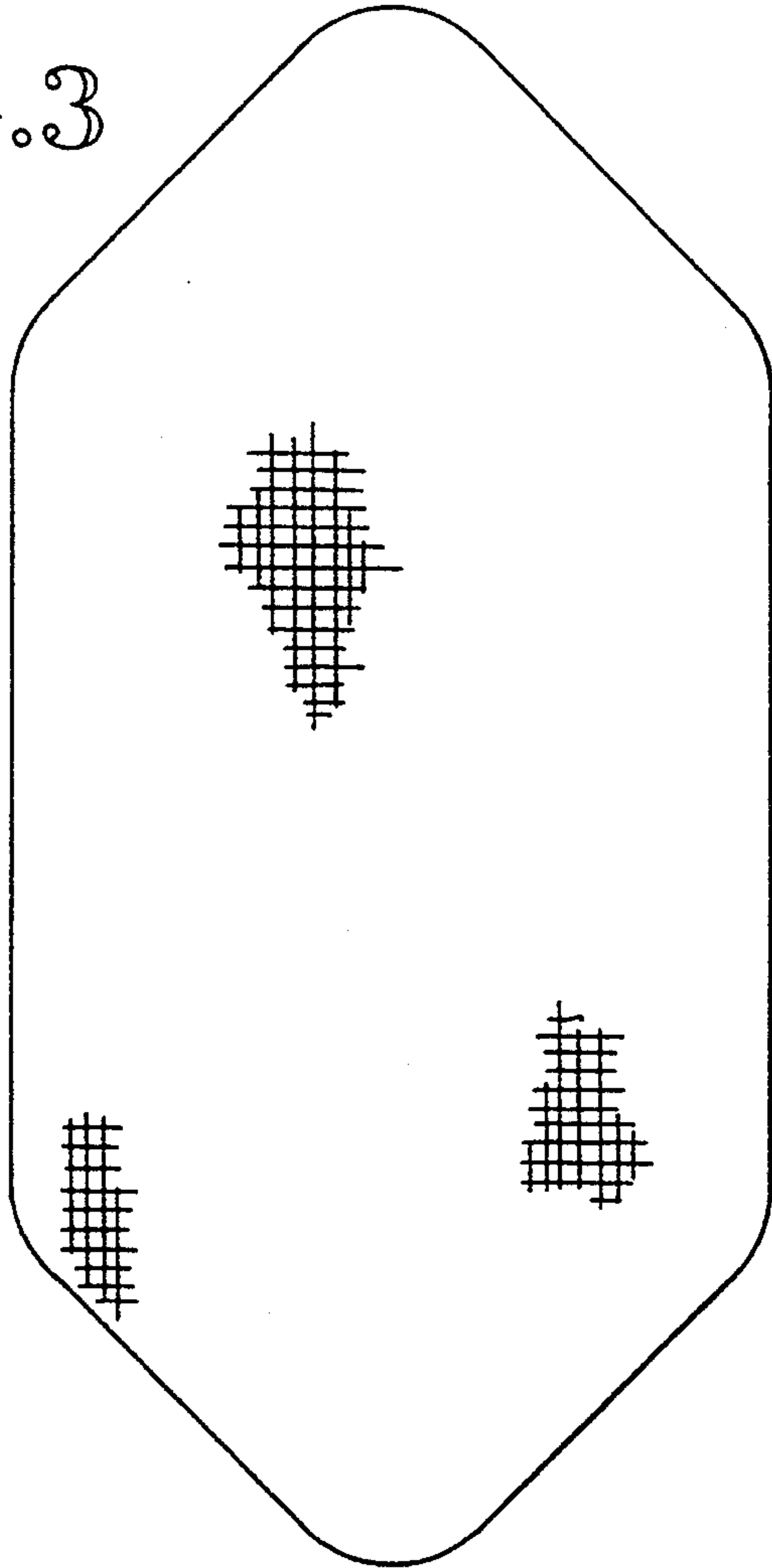


FIG.4



FIG.5



FIG. 6

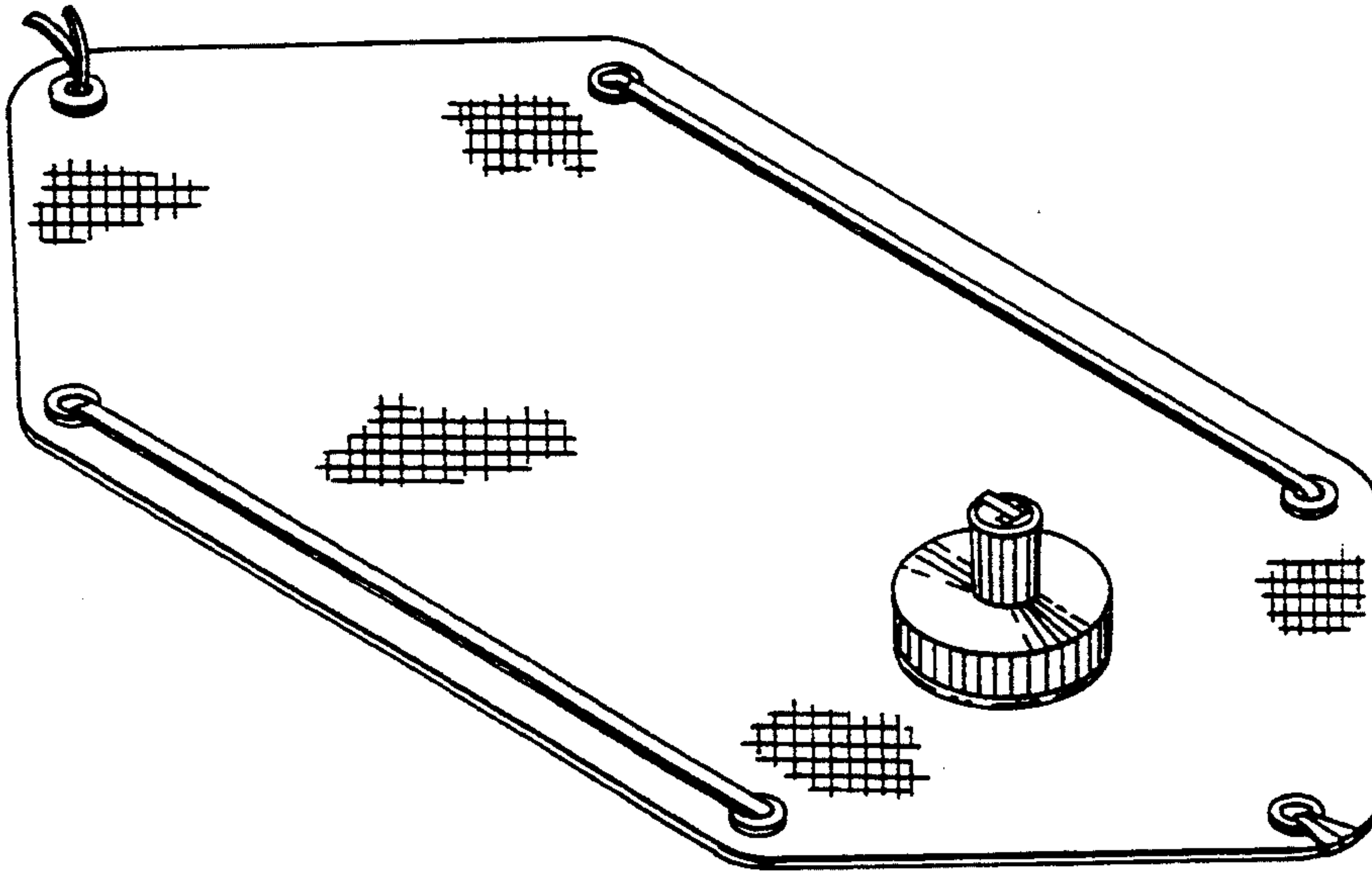


FIG. 7

