



US00D352356S

# United States Patent [19]

Hirshowitz et al.

[11] Patent Number: **Des. 352,356**

[45] Date of Patent: **\*\* Nov. 8, 1994**

[54] **SURGICAL CONTRACTOR FOR THE CLOSURE OF WIDE SKIN DEFECTS**

[75] Inventors: **Bernard Hirshowitz; Amnon Levy,** both of Haifa, Israel

[73] Assignee: **Life Medical Sciences, Inc.,** Princeton, N.J.

[\*\*] Term: **14 Years**

[21] Appl. No.: **3,751**

[22] Filed: **Dec. 3, 1992**

[52] U.S. Cl. .... **D24/145; D24/143**

[58] Field of Search ..... **606/216, 218, 220, 225; D24/145**

[56] **References Cited**

**U.S. PATENT DOCUMENTS**

268,632 12/1882 Danforth .  
3,385,299 5/1918 Roy ..... 606/218

4,896,680 1/1990 Hirshowitz .  
5,127,412 7/1992 Cosmetto et al. .... D24/145 X  
5,263,971 11/1993 Hirshowitz et al. .... 606/216

*Primary Examiner*—A. Hugo Word  
*Assistant Examiner*—I. Simmons  
*Attorney, Agent, or Firm*—Robert J. Koch

[57] **CLAIM**

The ornamental design for a surgical contractor for the closure of wide skin defects, as shown and described.

**DESCRIPTION**

FIG. 1 is a perspective view of a surgical contractor for the closure of wide skin defects showing our new design;

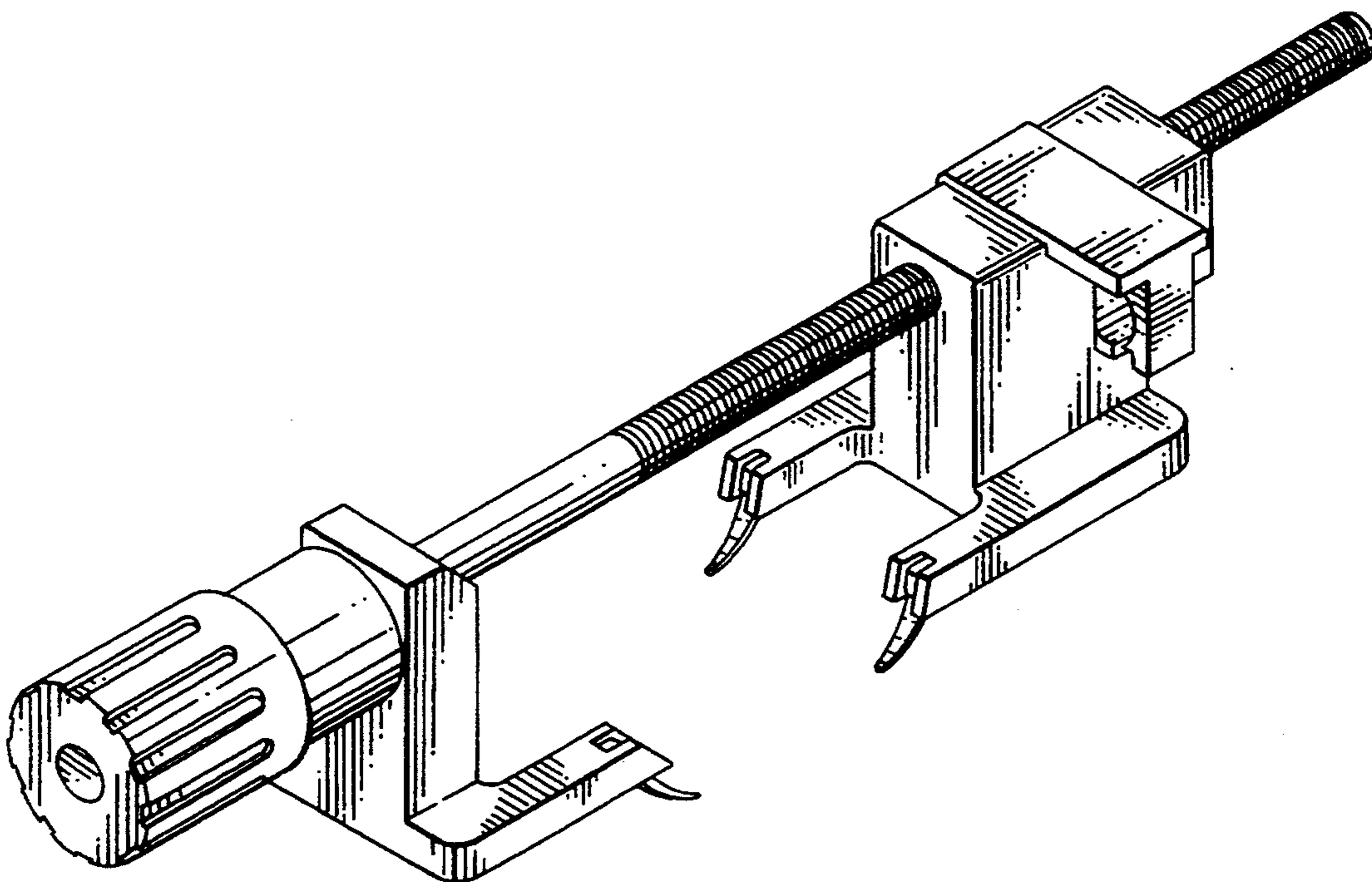
FIG. 2 is a side elevational view thereof, the opposite side elevational view being identical thereto;

FIG. 3 is a top plan view thereof;

FIG. 4 is a bottom plan view thereof;

FIG. 5 is a front elevational view thereof; and,

FIG. 6 is a rear elevational view thereof.



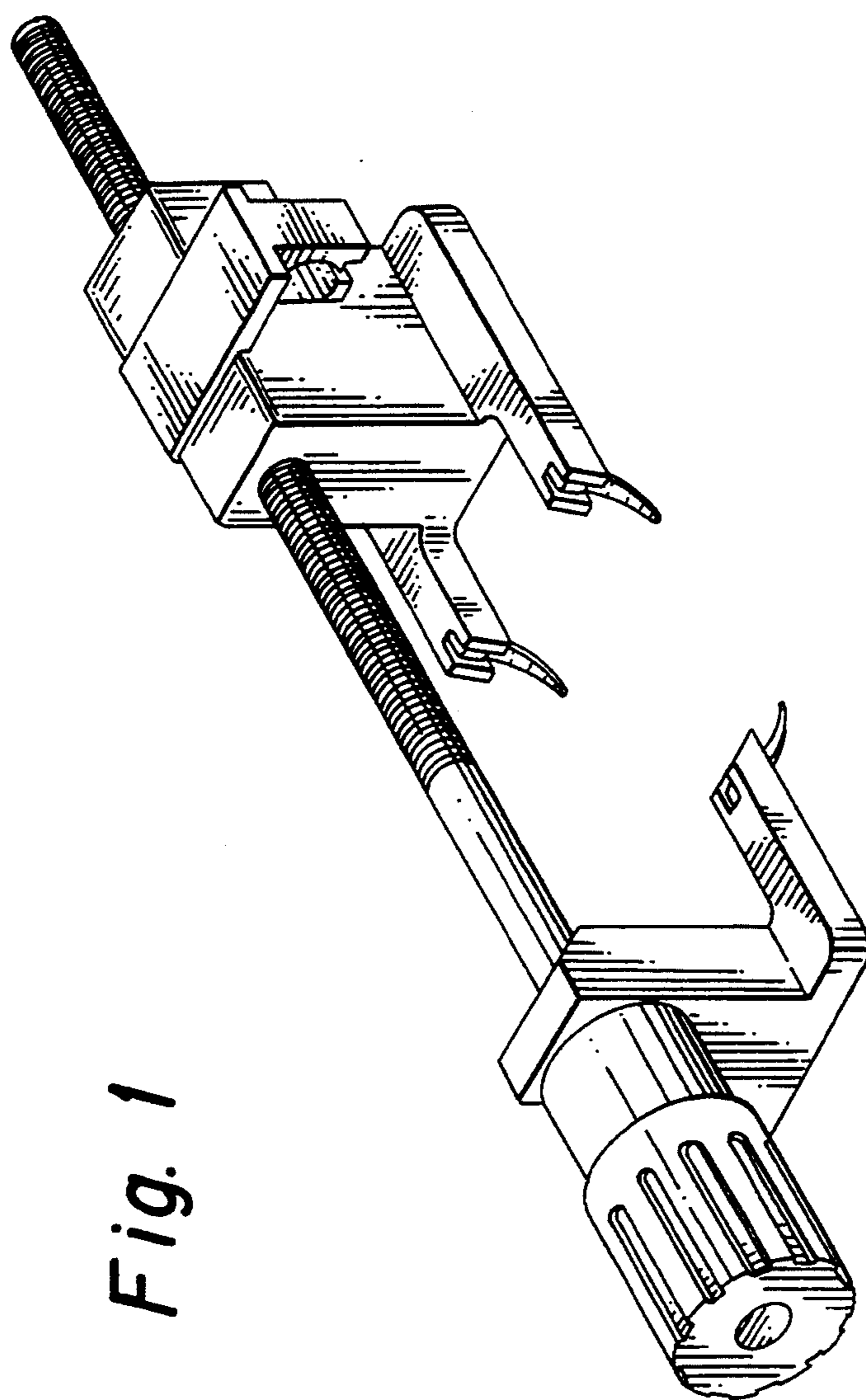
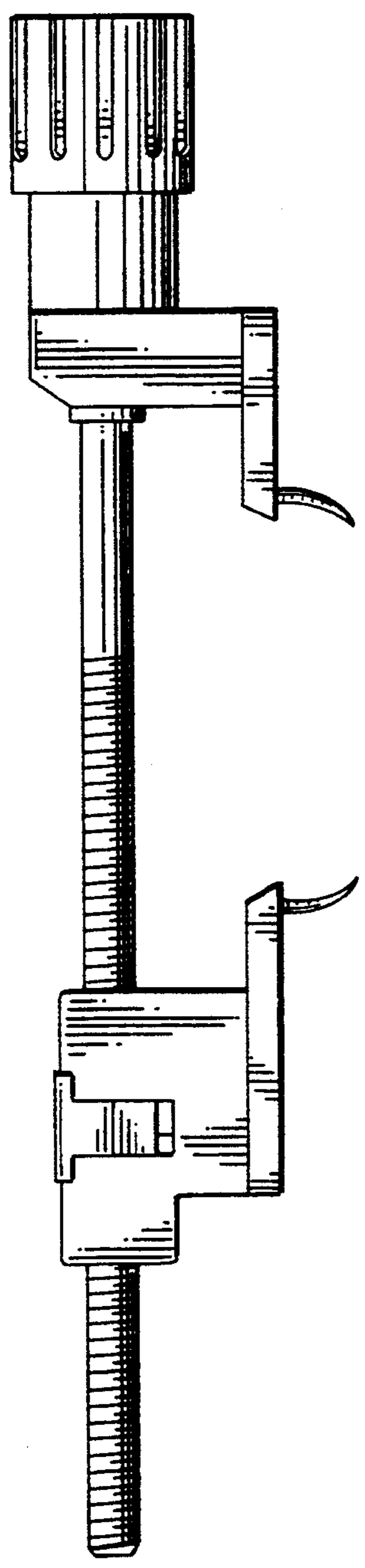
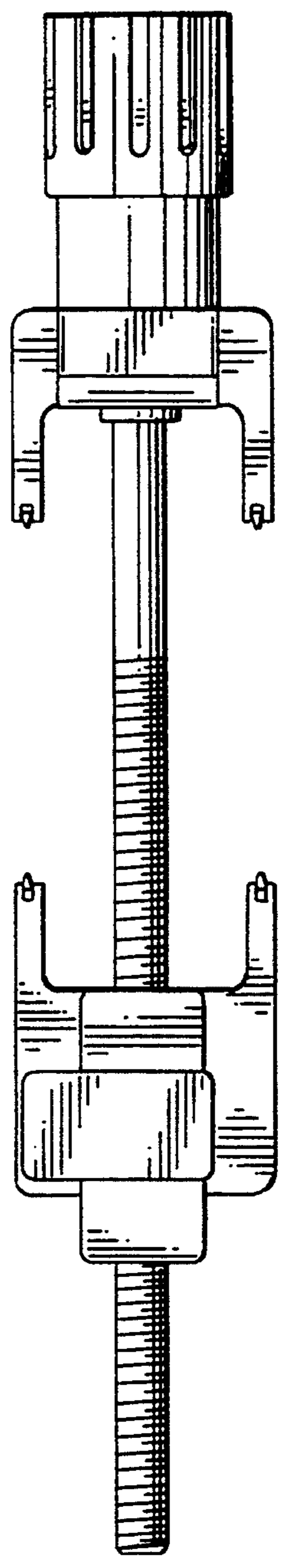


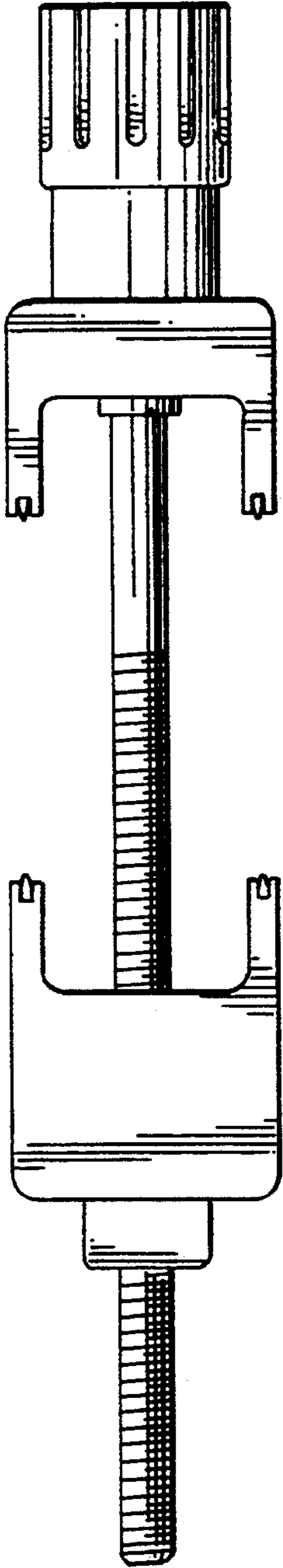
Fig. 1



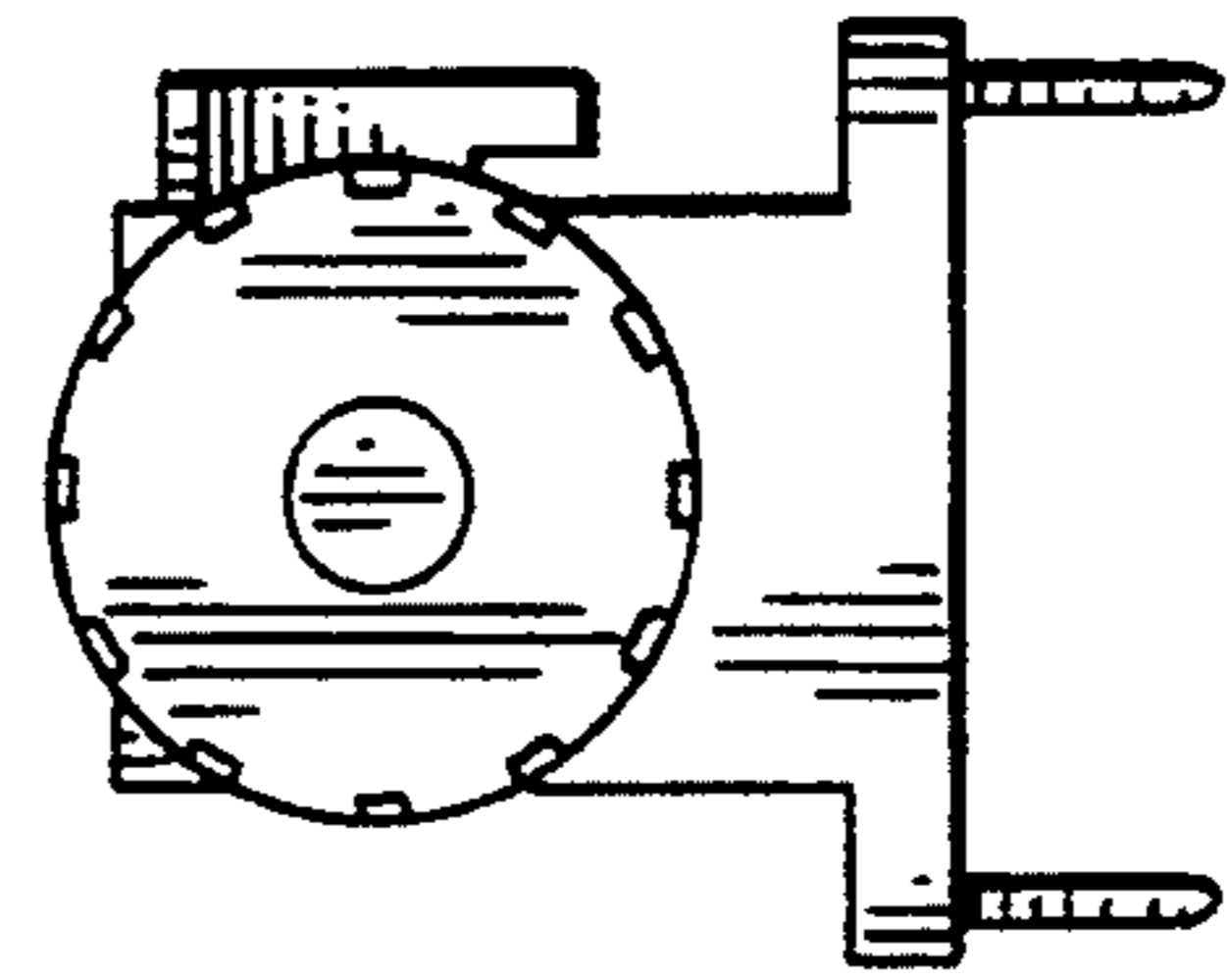
*Fig. 2*



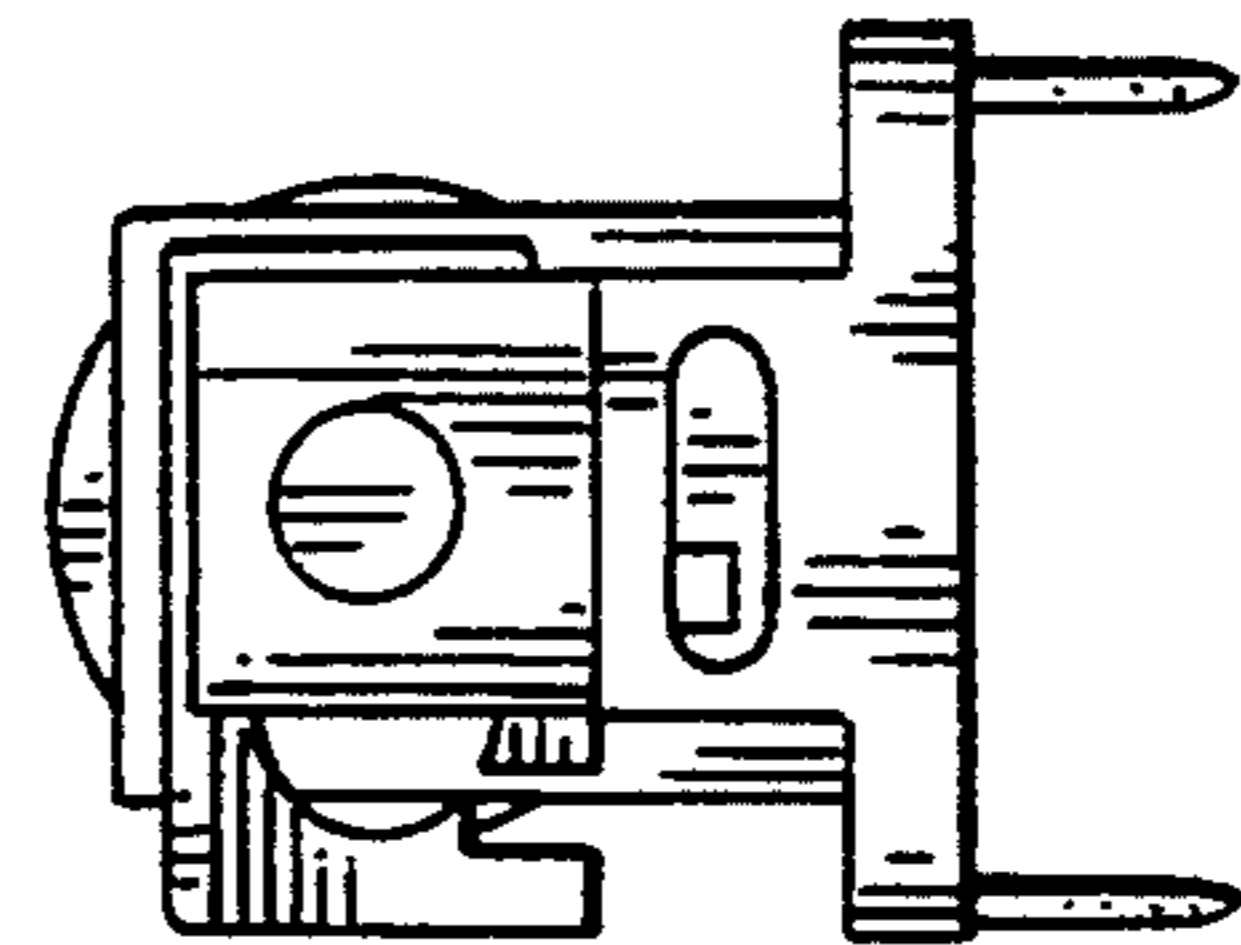
*Fig. 3*



*Fig. 4*



*Fig. 6*



*Fig. 5*