



US00D352348S

# United States Patent [19]

[11] Patent Number: **Des. 352,348**

**Niedwick**

[45] Date of Patent: **\*\* Nov. 8, 1994**

[54] **MULTI-FLUID DELIVERY VALVE**

3,642,022	2/1972	Kirby .....	137/625.18 X
4,492,247	1/1985	Lockwood .....	137/624.14 X
4,574,842	3/1986	Cordova .....	137/625.14 X

[76] Inventor: **Dennis A. Niedwick**, 27086 Lost Colt, Laguna Hills, Calif. 92653

*Primary Examiner*—A. Hugo Word  
*Assistant Examiner*—Eric Watterson  
*Attorney, Agent, or Firm*—Georges A. Maxwell

[\*\*] Term: **14 Years**

[21] Appl. No.: **884,558**

[57] **CLAIM**

[22] Filed: **Jun. 26, 1992**

The ornamental design for a multi-fluid delivery valve, as shown and described.

[52] U.S. Cl. .... **D23/233**

[58] Field of Search ..... 285/157, 275;  
137/512.15, 516.11, 102, 597, 625, 625.14,  
625.18, 625.23, 625.28, 512.1; D23/233-237,  
244-249, 241; D15/5

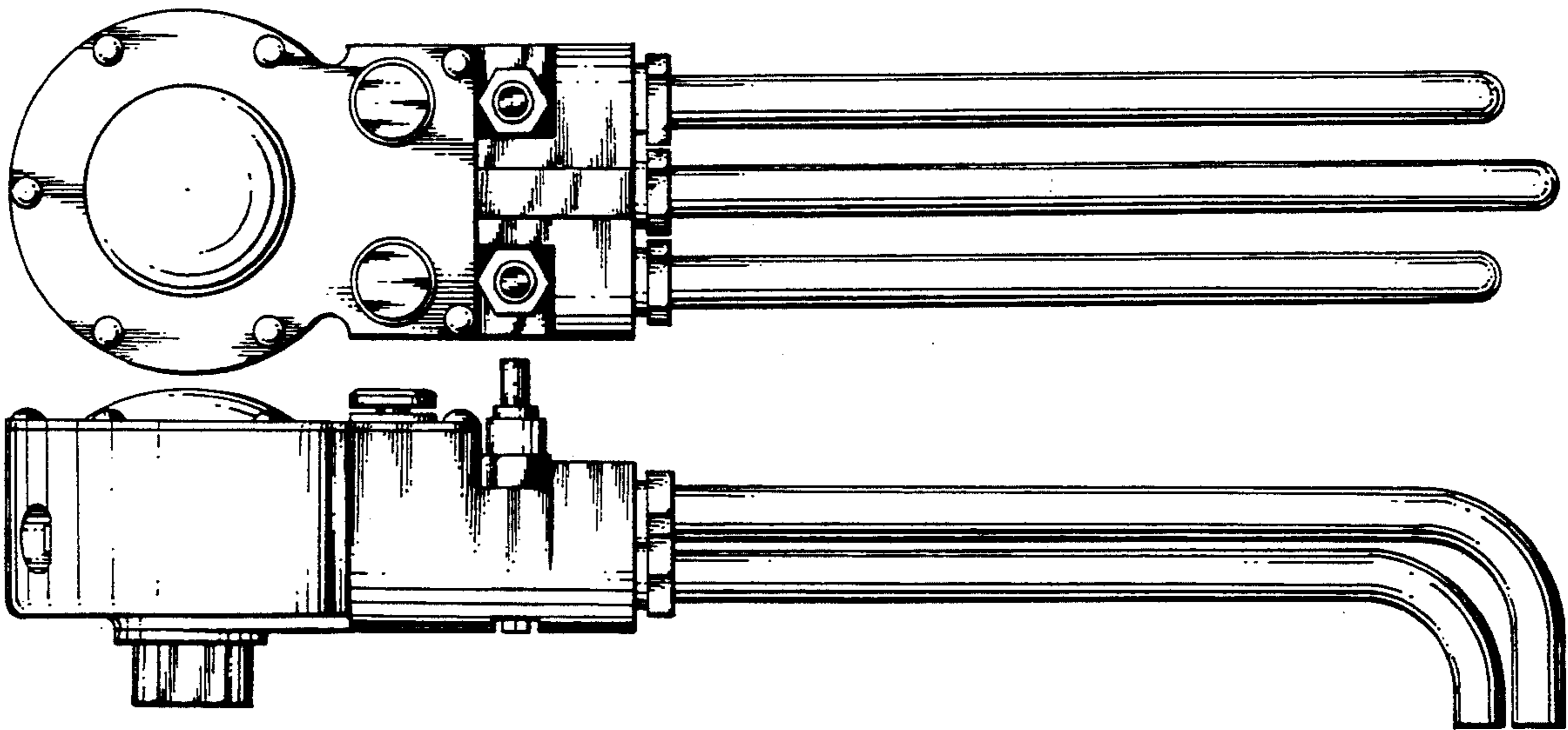
**DESCRIPTION**

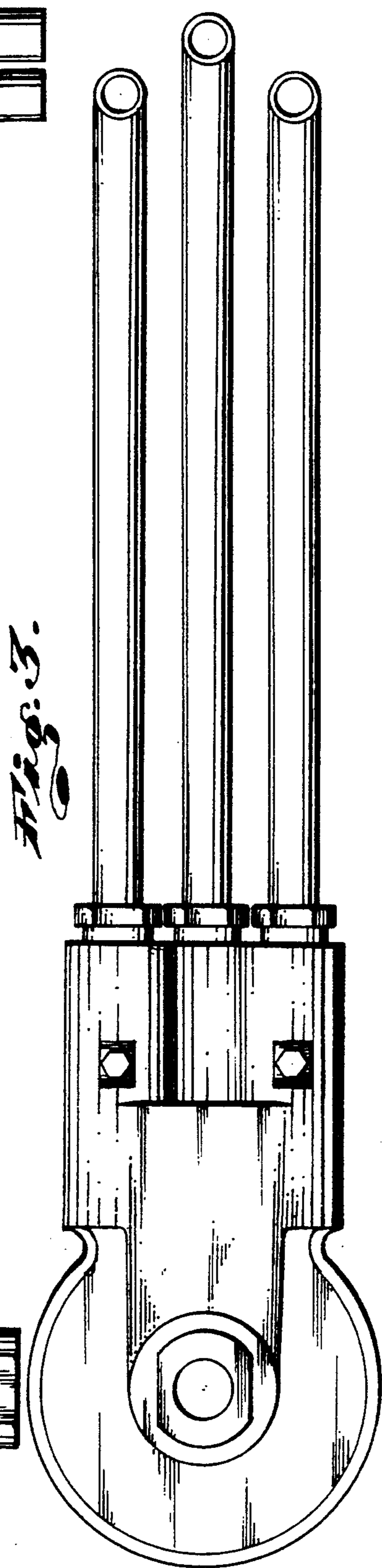
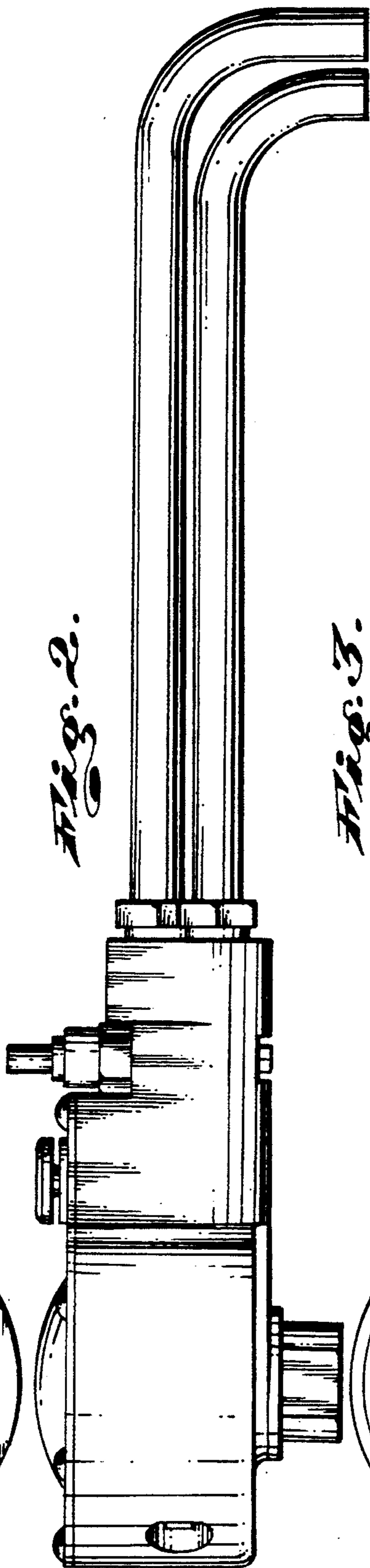
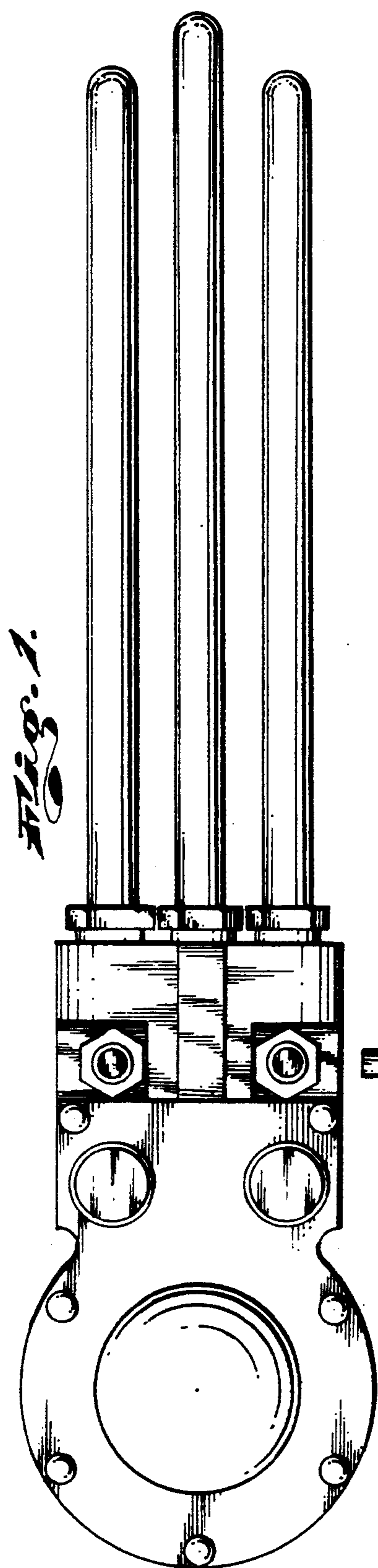
[56] **References Cited**

**U.S. PATENT DOCUMENTS**

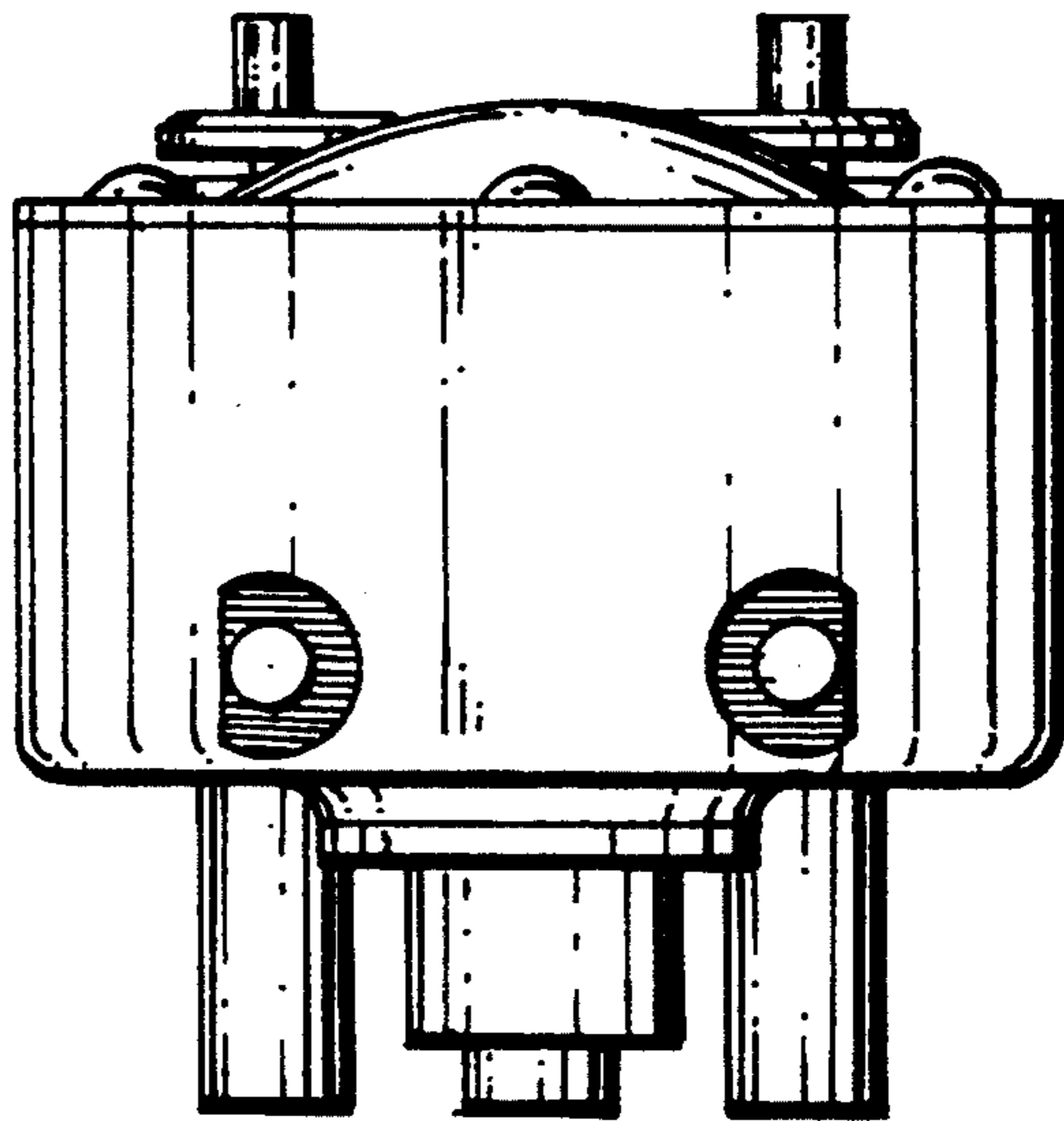
1,886,889 11/1932 Krupp ..... 137/625.14

FIG. 1 is a top view of the design;  
FIG. 2 is a view of one side and is a mirror opposite of the other side of the design;  
FIG. 3 is a bottom view of the design;  
FIG. 4 is a view of one end of the design; and,  
FIG. 5 is a view of the other end of the design.





*Fig. 4.*



*Fig. 5.*

