



US00D352344S

United States Patent [19]

Mizuguchi

[11] Patent Number: **Des. 352,344**

[45] Date of Patent: **** Nov. 8, 1994**

[54] **SPRAY NOZZLE FOR ATTACHMENT TO A PRESSURIZED SPRAY CAN**

[75] Inventor: **Ryuichi Mizuguchi**, Tokyo, Japan

[73] Assignee: **Mitani Valve Co.**, Tokyo, Japan

[**] Term: **14 Years**

[21] Appl. No.: **1,850**

[22] Filed: **Nov. 24, 1992**

[30] Foreign Application Priority Data

May 27, 1992 [JP] Japan 4-15479

[52] U.S. Cl. **D23/213**

[58] Field of Search 239/301, 332, 373, 394, 239/532, 525-528, 554, 556, DIG. 14; 222/402.1, 402.13, 402.14, 402.15, 174; D9/434; D23/213, 223-227

[56] References Cited

U.S. PATENT DOCUMENTS

D. 333,095 2/1993 Haubaer D8/14

2,968,441 1/1961 Holcomb 222/402.1

3,004,588 10/1961 Christenson 239/530

3,216,628 11/1965 Fergusson 222/402.1
4,278,188 7/1981 Stephenson 222/402.1
4,787,560 11/1988 DeYoreo 222/402.14

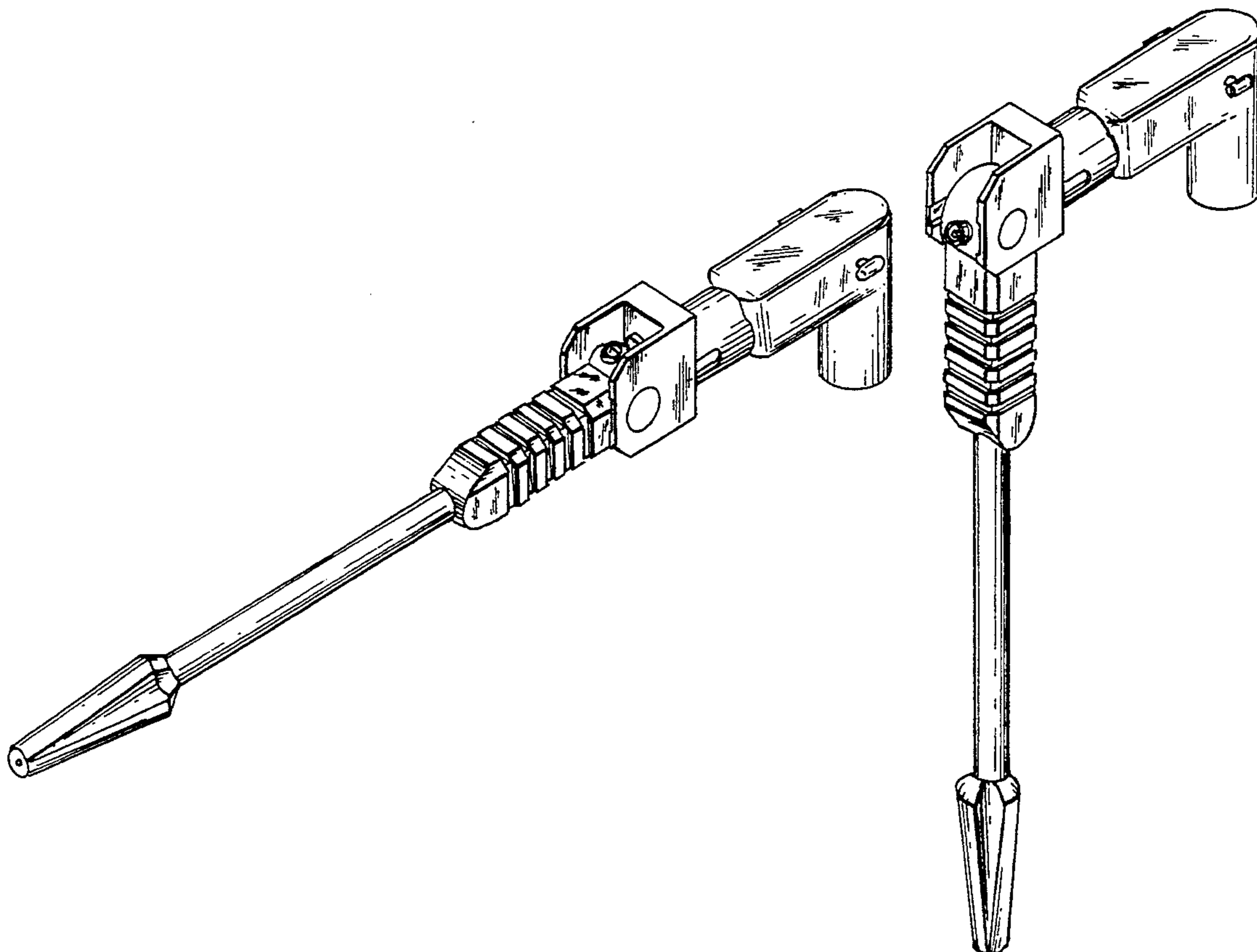
Primary Examiner—Wallace R. Burke
Assistant Examiner—Robin V. Taylor
Attorney, Agent, or Firm—Thomas R. Morrison

[57] CLAIM

The ornamental design for a spray nozzle for attachment to a pressurized spray can, as shown and described.

DESCRIPTION

FIG. 1 is a perspective view showing my new design with the nozzle in a first position;
FIG. 2 is a perspective view with the nozzle in a second moved position wherein it has been pivoted 90 degrees from the first position;
FIG. 3 is a front view of the position in FIG. 2;
FIG. 4 is a back view of the position in FIG. 2;
FIG. 5 is a top plan view of the position in FIG. 2;
FIG. 6 is a bottom view of the position in FIG. 2;
FIG. 7 is a right side view of the position in FIG. 2; and,
FIG. 8 is a left side view of the position in FIG. 2.



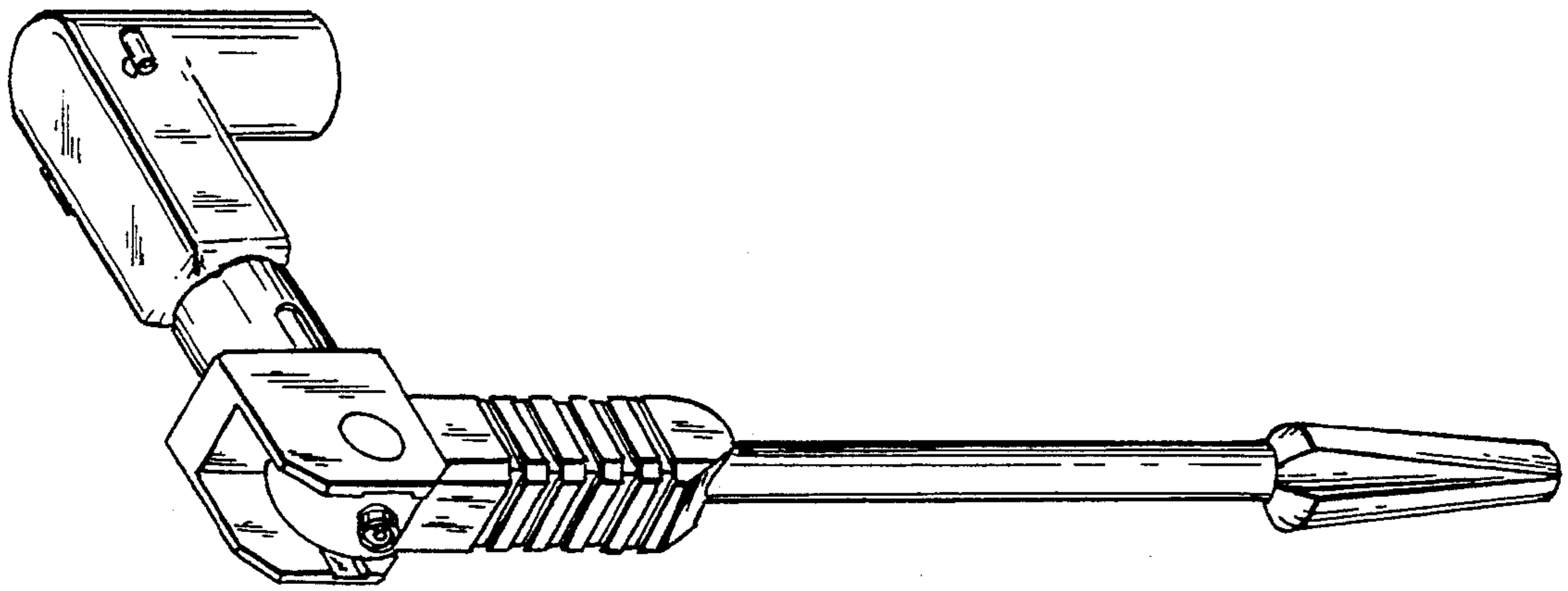


FIG. 2

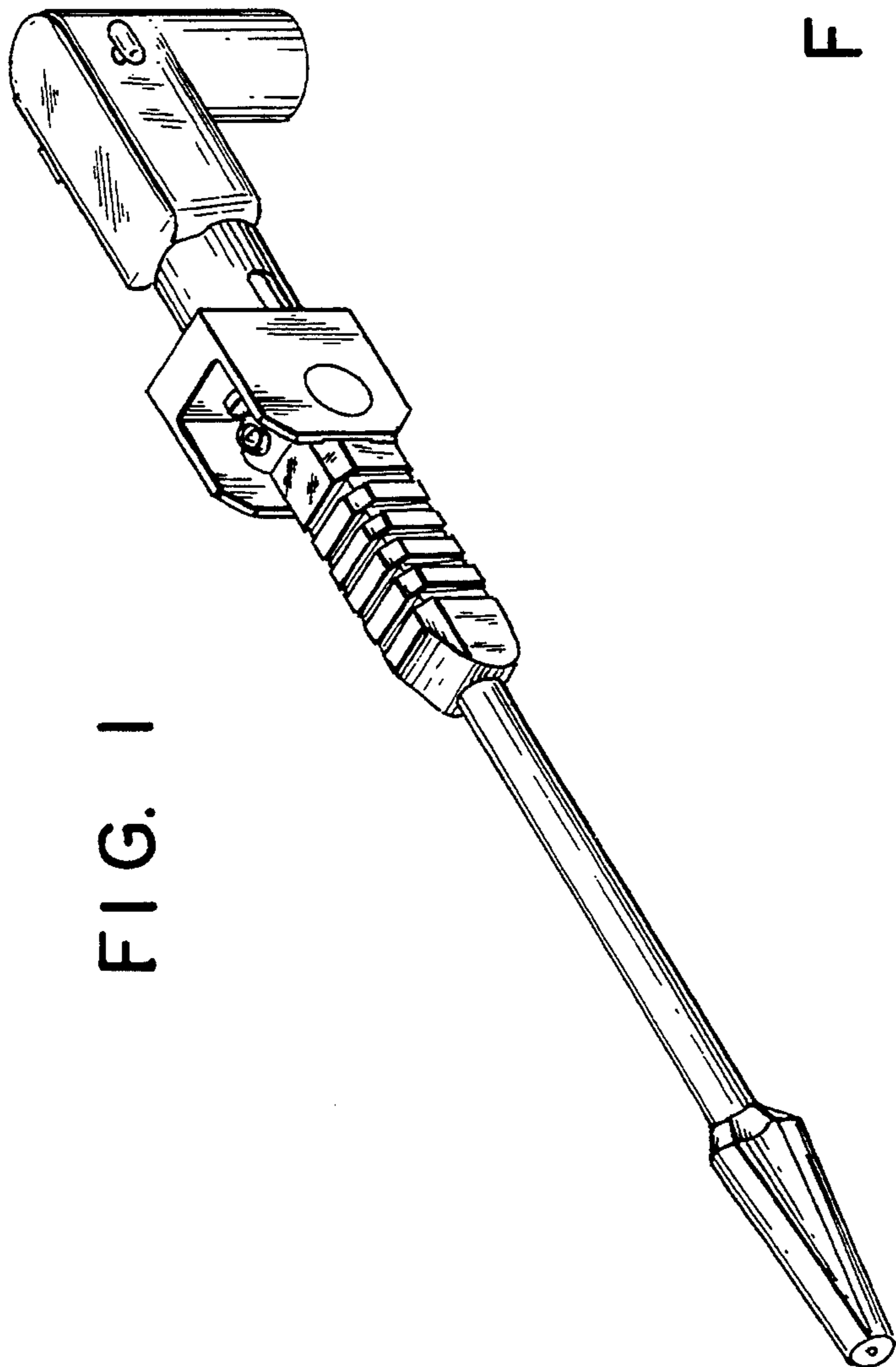


FIG. 1

FIG. 3

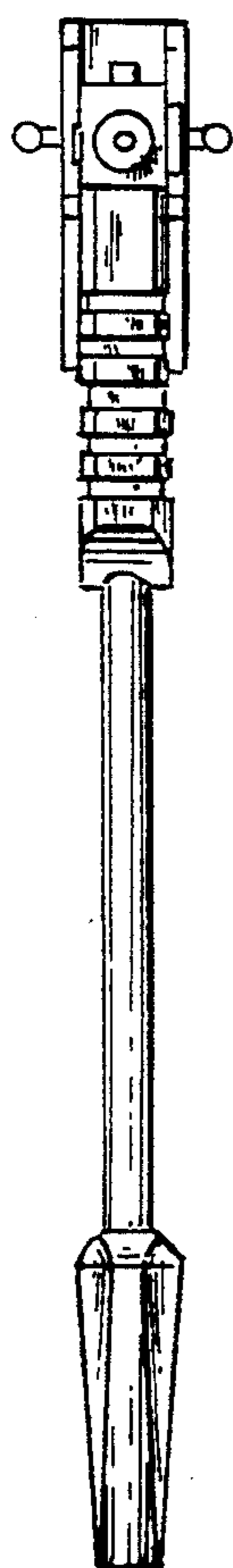


FIG. 4

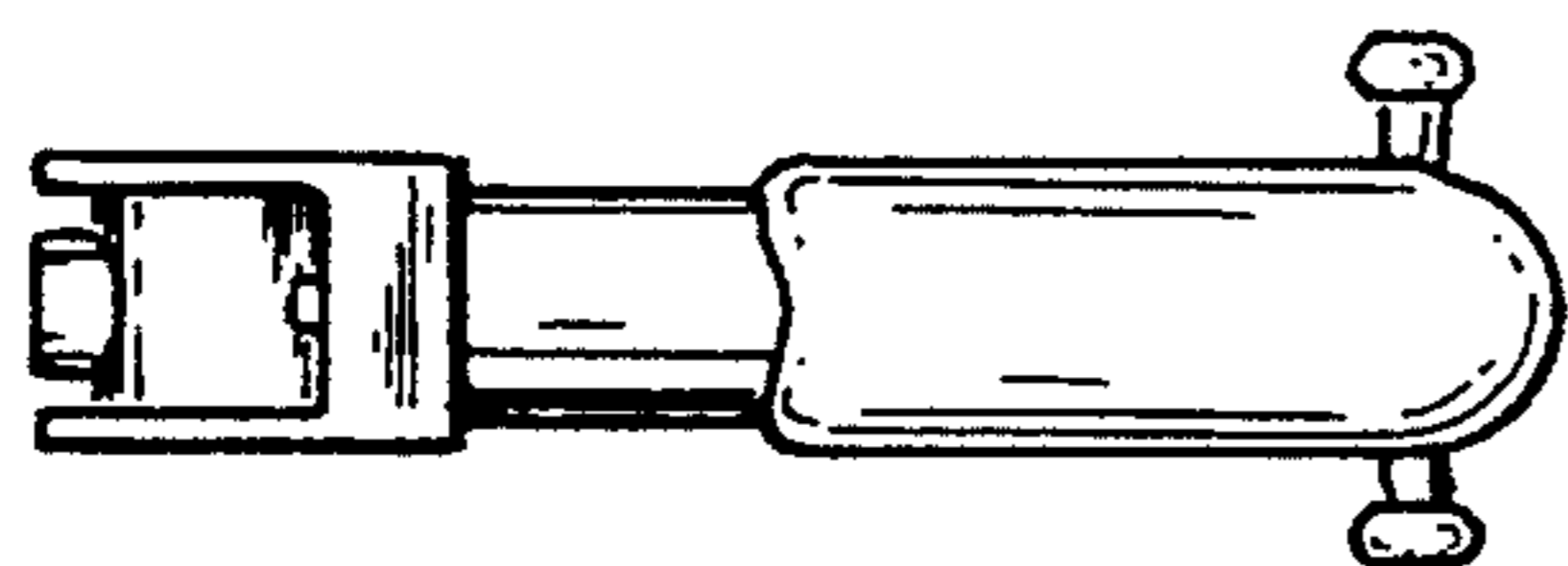
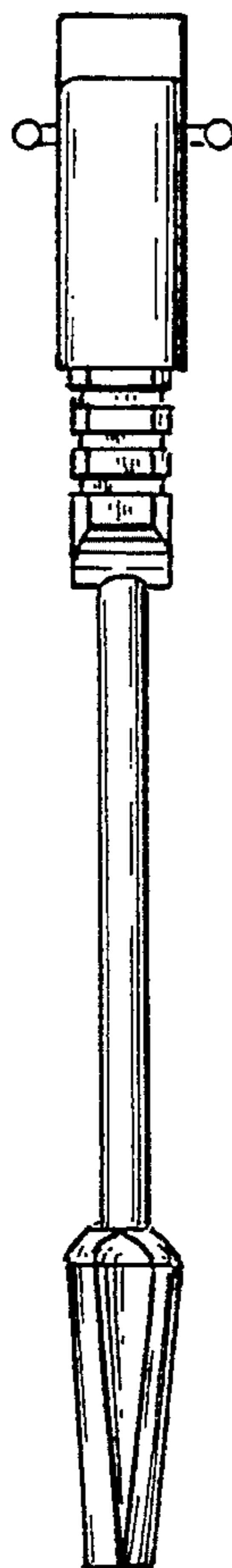


FIG. 5

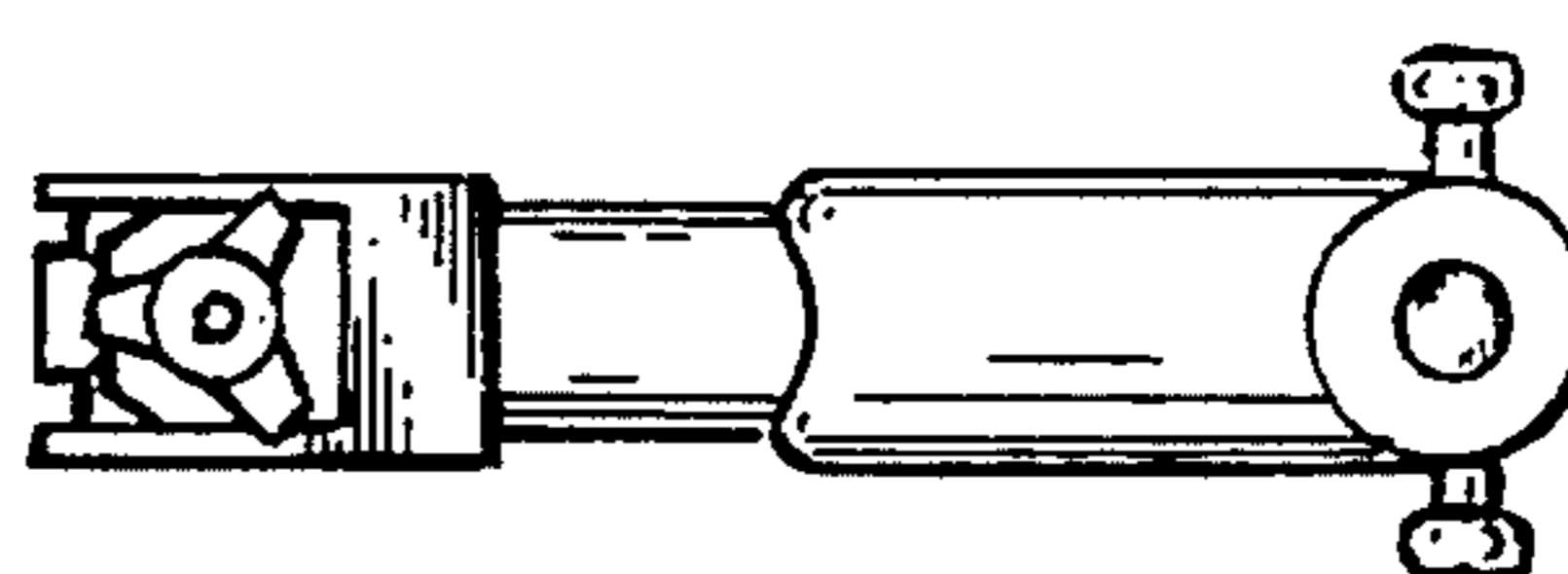


FIG. 6

FIG. 7

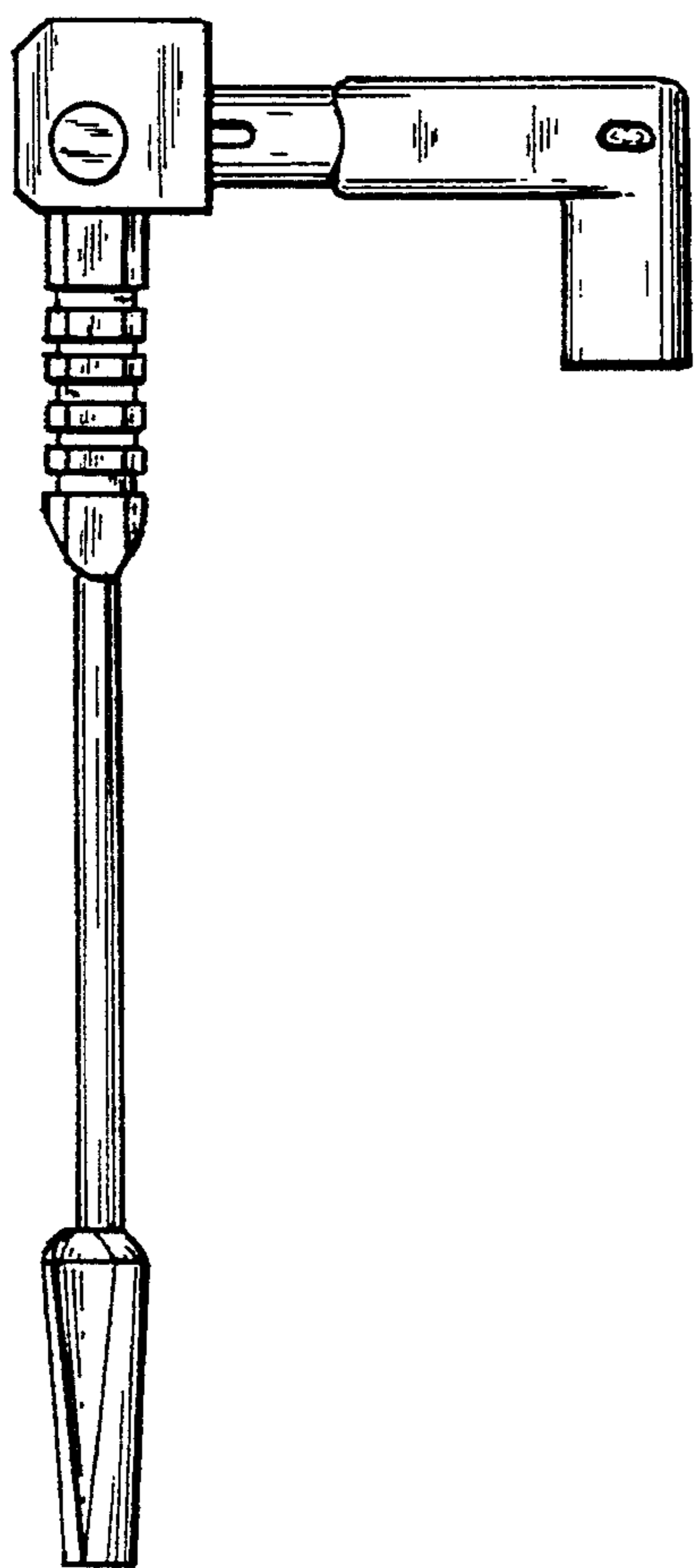


FIG. 8

