



US00D352343S

United States Patent [19]

[11] Patent Number: **Des. 352,343**

Ito

[45] Date of Patent: **** Nov. 8, 1994**

[54] **FRESH WATER TANK UNIT FOR PORTABLE TOILET**

D. 323,881 2/1992 Franey D23/299
4,031,572 6/1977 Harding D25/16 X
4,493,118 1/1985 Braxton D25/16 X

[76] Inventor: **Bertram Ito**, 662 Hoohai Pl., Pearl City, Hi. 96782

Primary Examiner—Wallace R. Burke
Assistant Examiner—M. H. Tung
Attorney, Agent, or Firm—Robert C. Godbey

[**] Term: **14 Years**

[57] **CLAIM**

[21] Appl. No.: **953,540**

The ornamental design for a fresh water tank unit for a portable toilet, as shown and described.

[22] Filed: **Sep. 28, 1992**

[52] U.S. Cl. **D23/202**

[58] Field of Search 4/333-334,
4/353, 368, 449, 459-460, 462-463; D23/200,
202, 299; D25/16

DESCRIPTION

[56] **References Cited**

U.S. PATENT DOCUMENTS

D. 209,962 1/1968 Harding D25/16
D. 242,620 12/1976 Frankel et al. D23/299
D. 247,750 4/1978 Lu et al. D23/299 X
D. 262,050 11/1981 Antos et al. D23/299

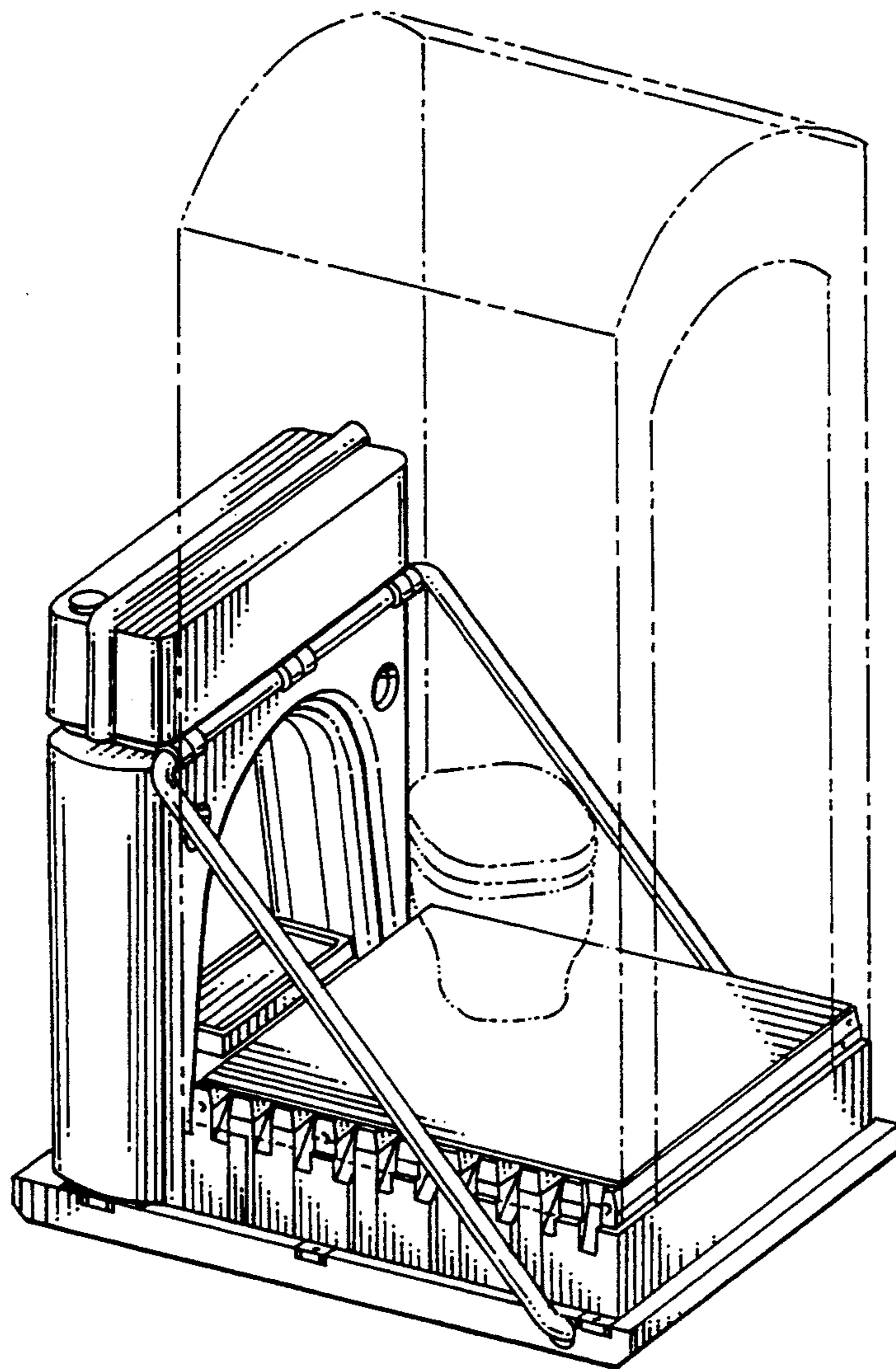
FIG. 1 is a left, front perspective view of a fresh water tank unit for a portable toilet showing my new design, on a reduced scale, the broken line drawing of a toilet and housing is for illustrative purposes only and forms no part of the claimed design;

FIG. 2 is a left front perspective view thereof;

FIG. 3 is a left rear perspective view thereof;

FIG. 4 is a right rear perspective view thereof; and,

FIG. 5 is a right front perspective view thereof.



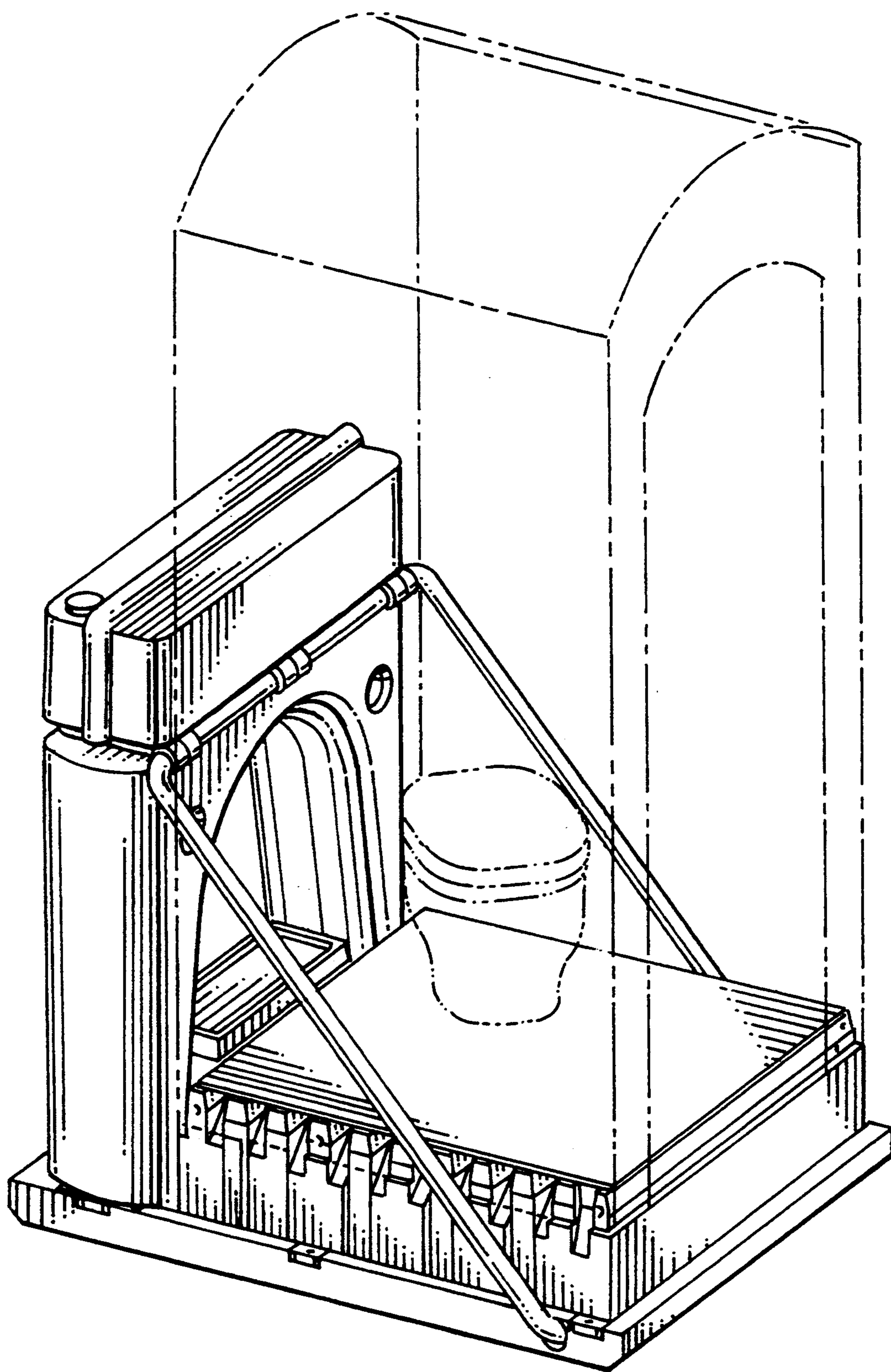


FIG. 1

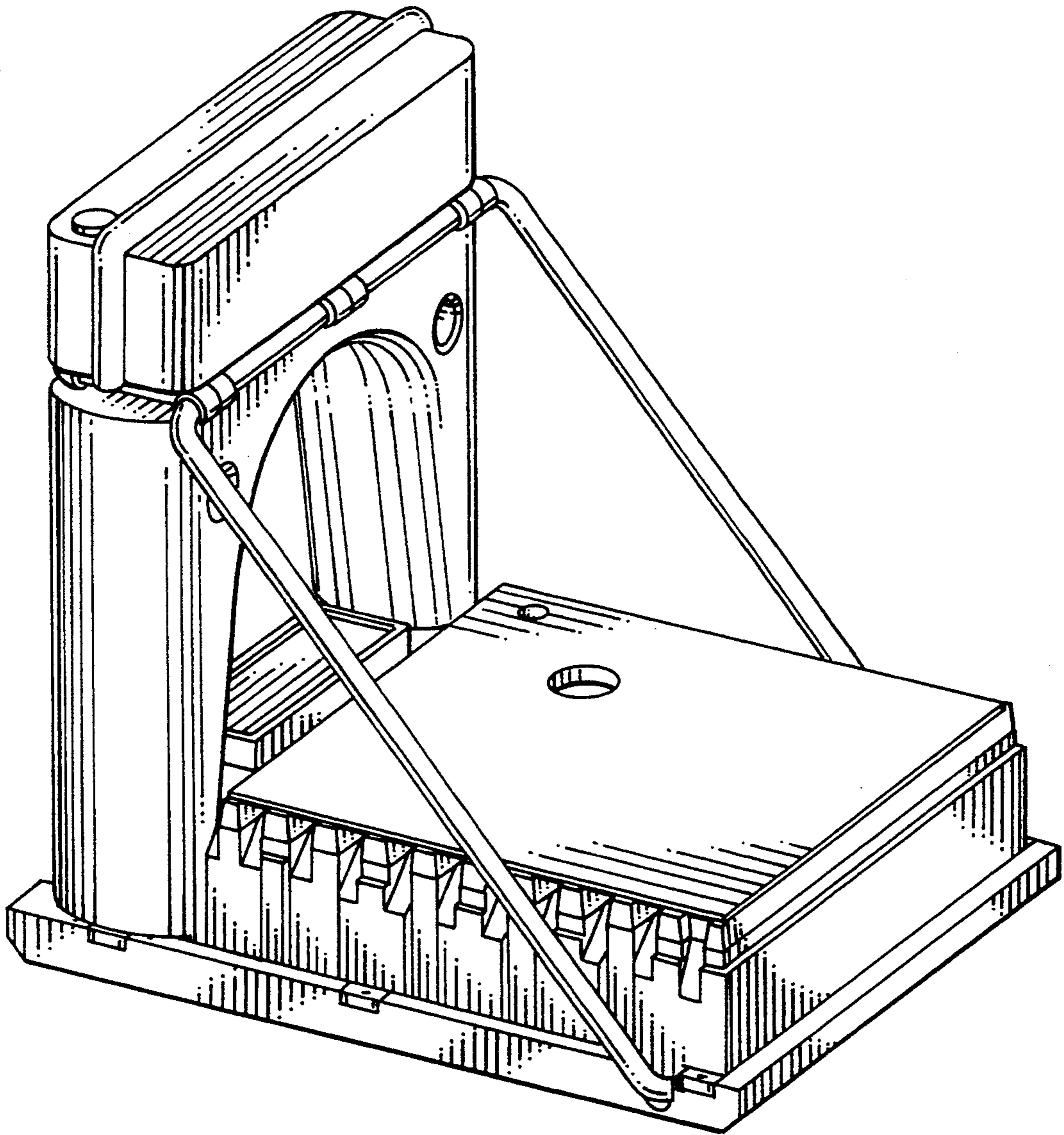


FIG. 2

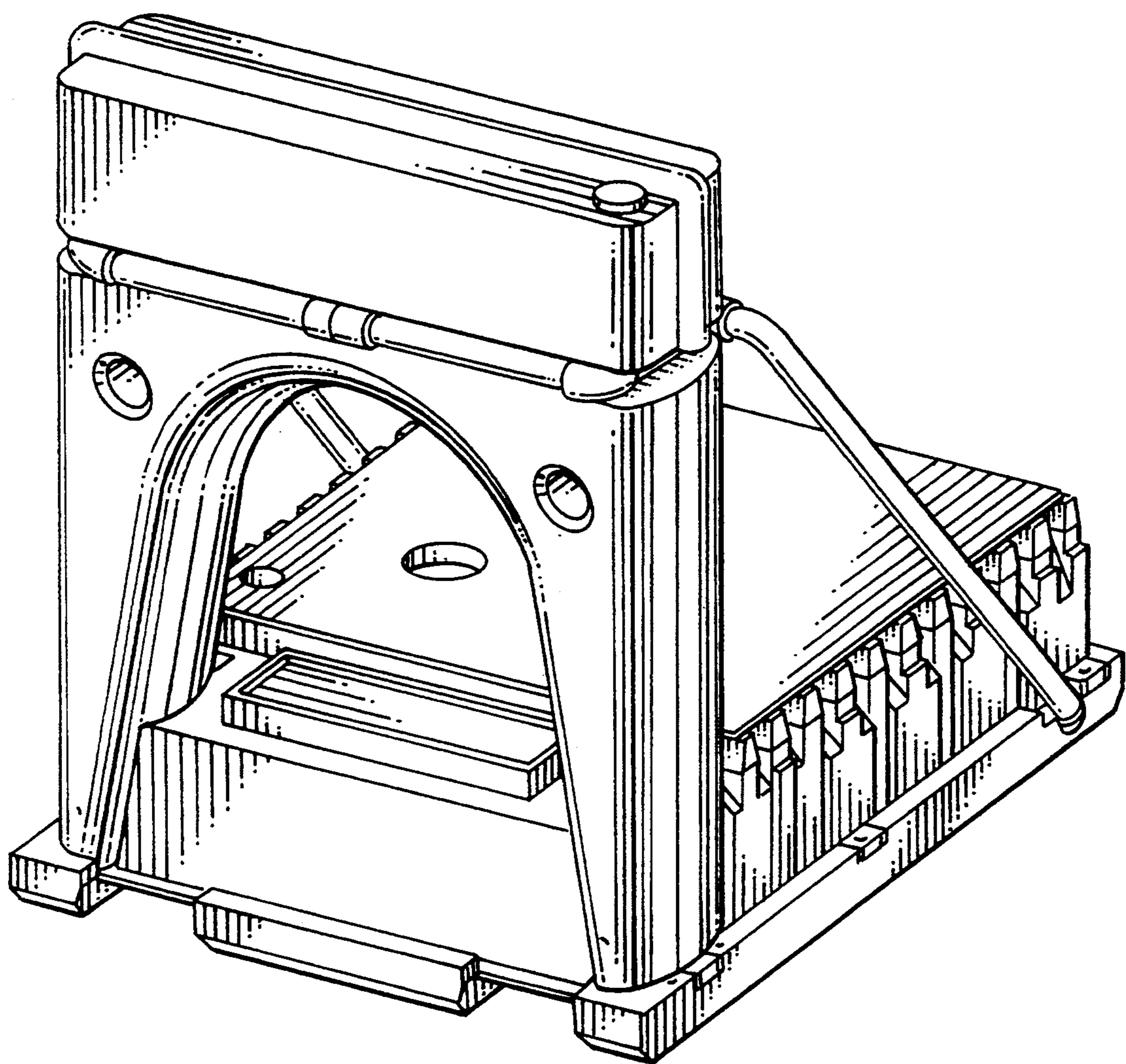


FIG. 3

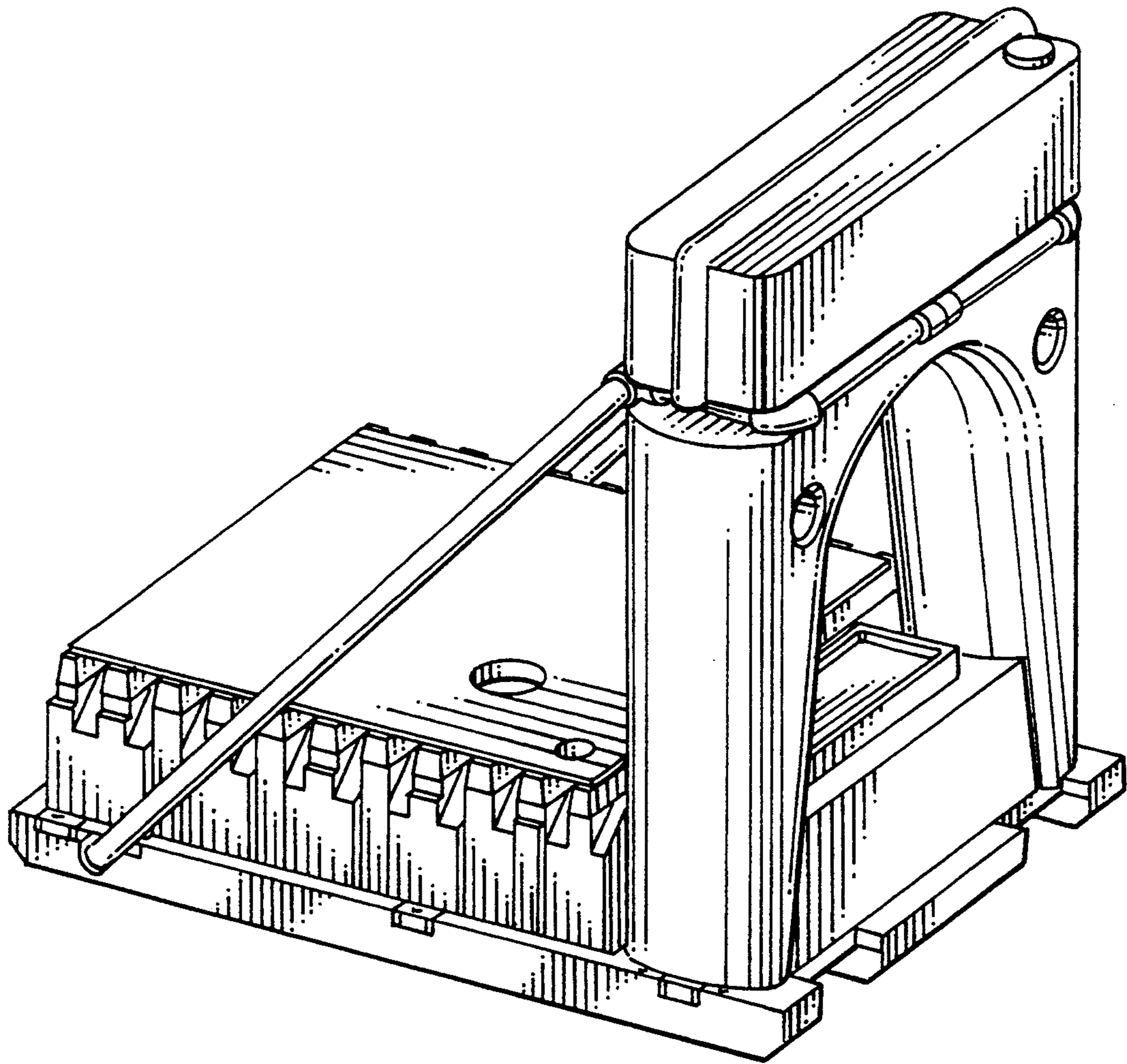


FIG. 4

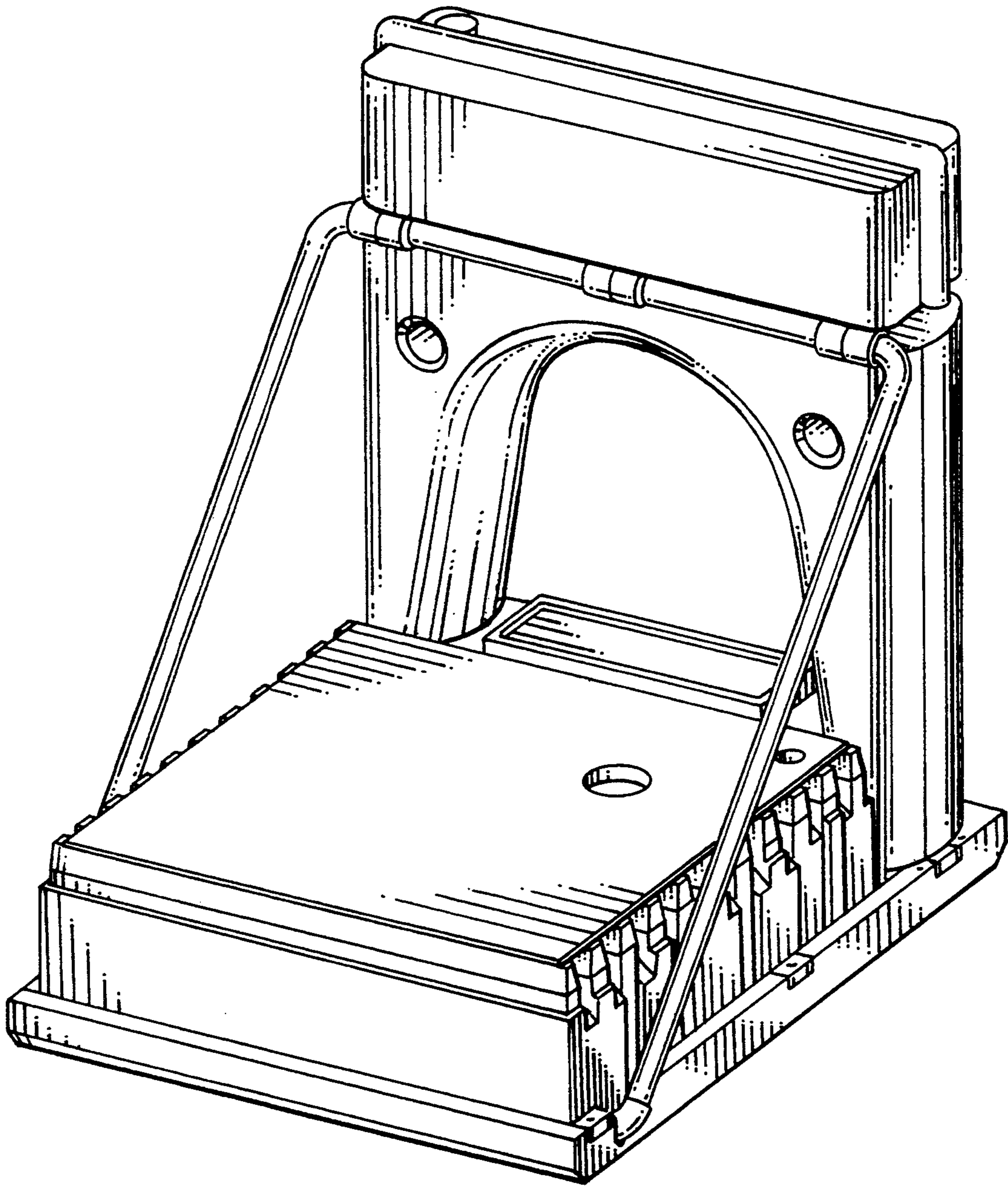


FIG. 5