



US00D352335S

# United States Patent [19]

[11] Patent Number: **Des. 352,335**

Vignali et al.

[45] Date of Patent: **\*\* Nov. 8, 1994**

[54] **AMUSEMENT VEHICLE**

[75] Inventors: **Marcelo E. Vignali**, Lancaster;  
**Joseph A. Lanzisero**, Burbank, both  
of Calif.

[73] Assignee: **The Walt Disney Company**, Burbank,  
Calif.

[\*\*] Term: **14 Years**

[21] Appl. No.: **3,979**

[22] Filed: **Jan. 22, 1993**

[52] U.S. Cl. .... **D21/78**

[58] Field of Search ..... 446/29, 93-94,  
446/96, 128, 211, 434, 451, 468; 280/87.01,  
87.021, 47.38, 1.206, 1.207, 1.23, 1.13, 281.1,  
282; D21/71, 74, 76, 78, 80, 128, 133-137, 140,  
141, 148; D12/112

[56] **References Cited**

**U.S. PATENT DOCUMENTS**

D. 72,377 4/1927 Lundahl ..... D21/133  
D. 72,828 6/1927 Hitt ..... D21/137

D. 137,299 2/1944 Stough ..... D21/133  
D. 221,456 8/1971 Henderson ..... D21/133  
D. 225,872 1/1973 Burke ..... D21/78  
1,890,658 12/1932 Swartz ..... D21/78

**OTHER PUBLICATIONS**

Nacoral catalog Toy Fair 1973 #1016 lower left of  
page.

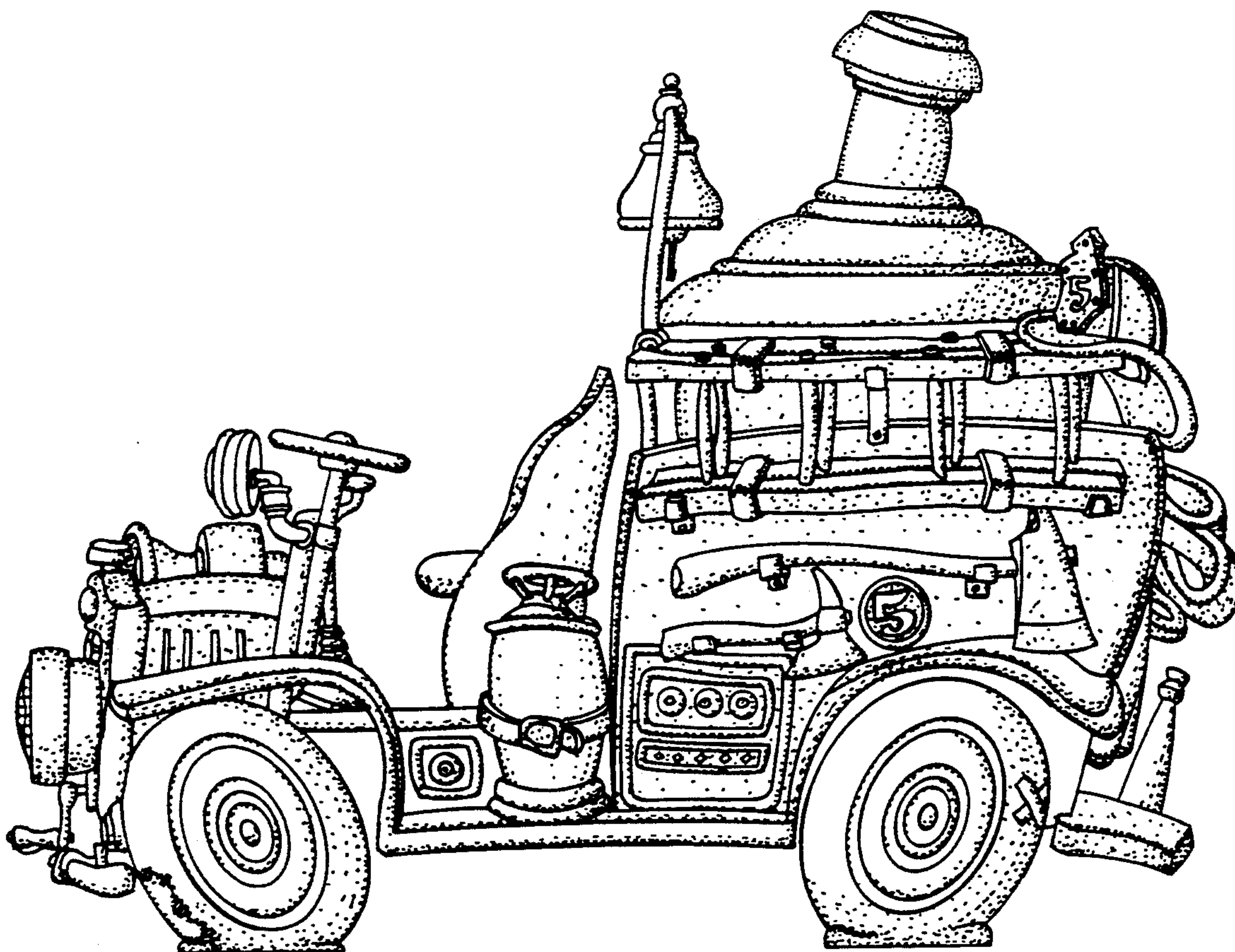
*Primary Examiner*—Bernard Ansher  
*Assistant Examiner*—R. Barkai  
*Attorney, Agent, or Firm*—Richard S. Erbe

[57] **CLAIM**

The ornamental design for an amusement vehicle, as  
shown and described.

**DESCRIPTION**

FIG. 1 is a right side elevational view of an amusement  
vehicle embodying our new design;  
FIG. 2 is a left side elevational view of the vehicle;  
FIG. 3 is a front elevational view of the vehicle;  
FIG. 4 is a rear elevational view of the vehicle; and,  
FIG. 5 is a top plan view of the vehicle.



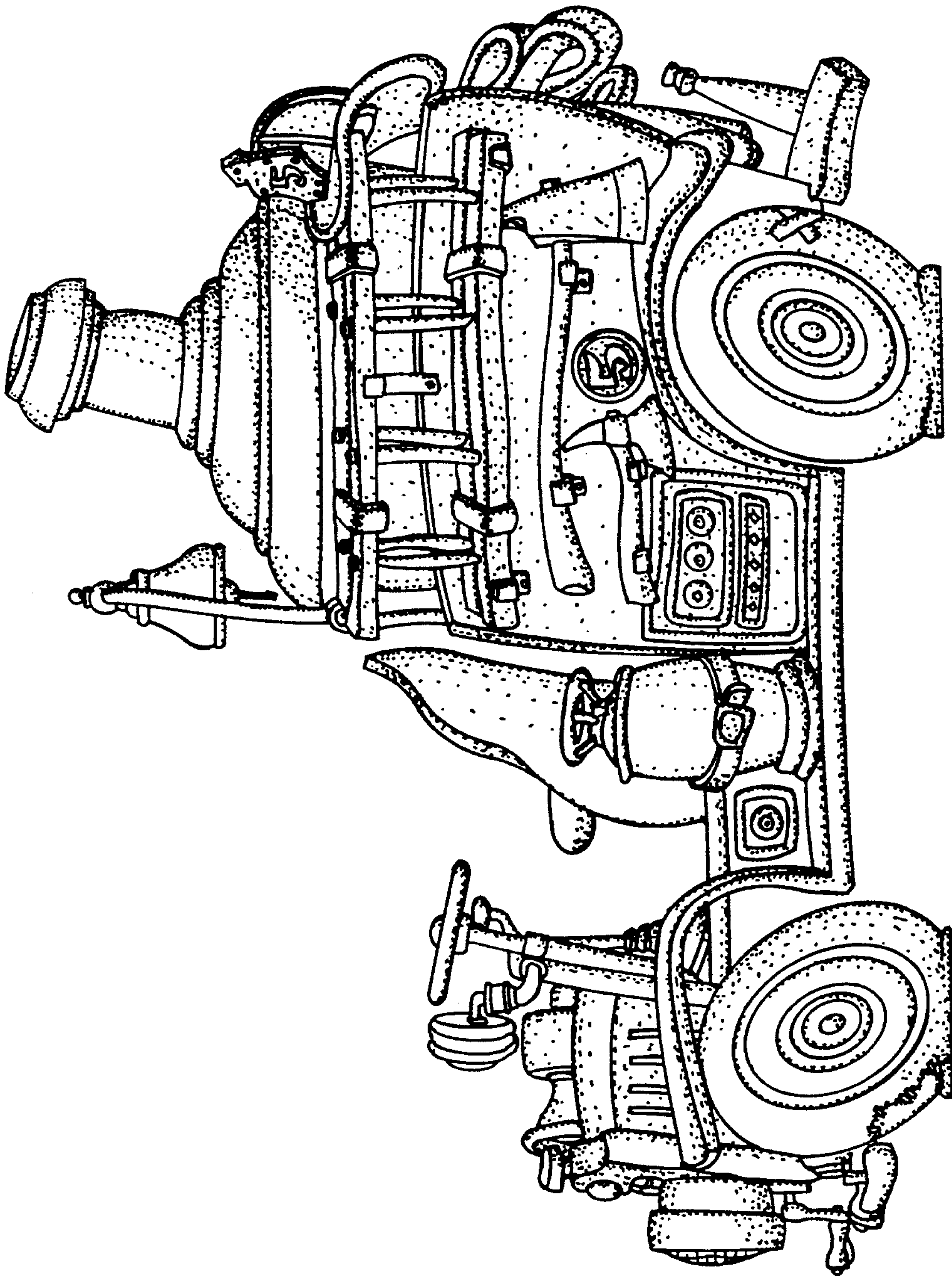


FIG. 1.



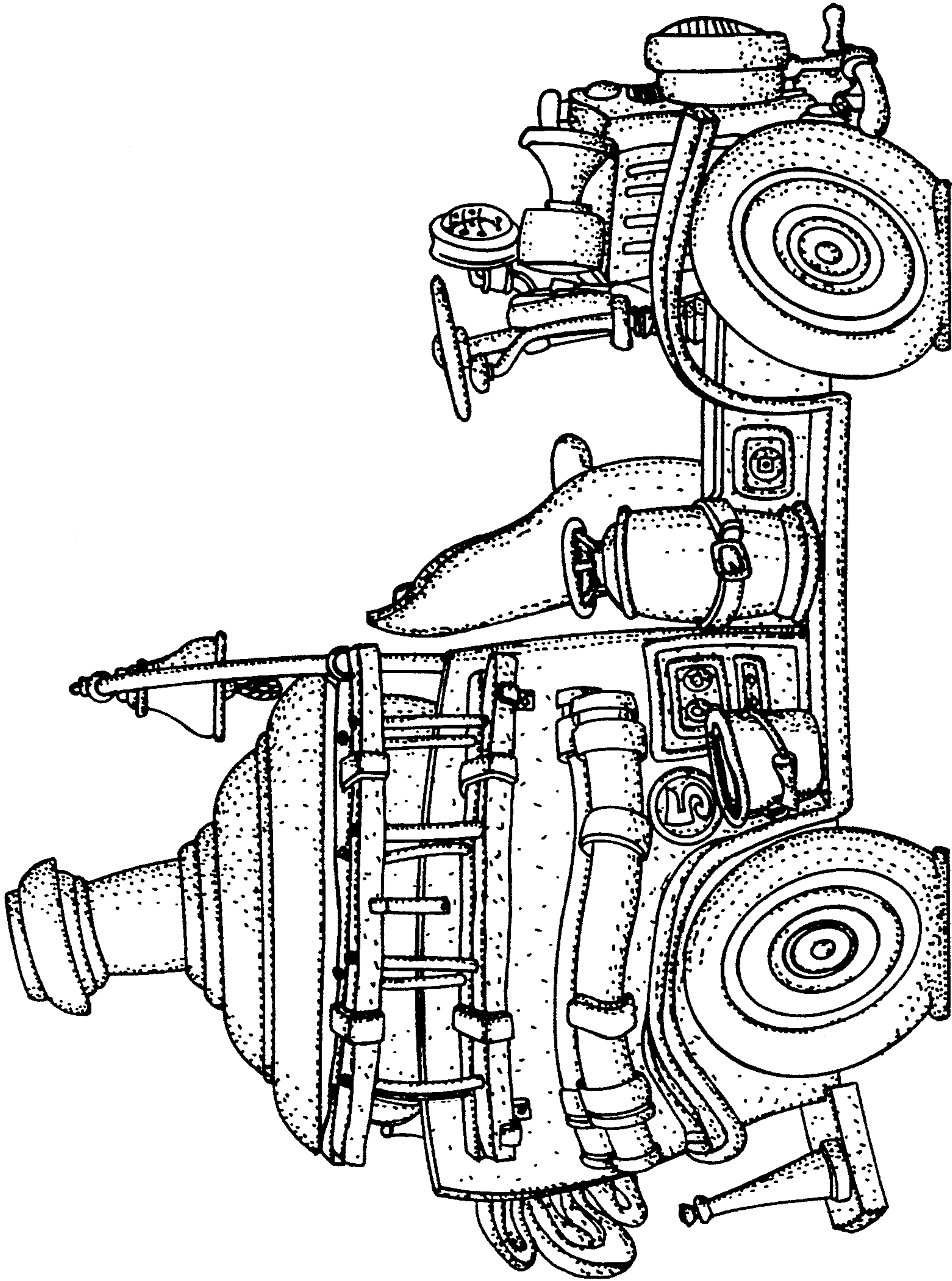


FIG. 2.

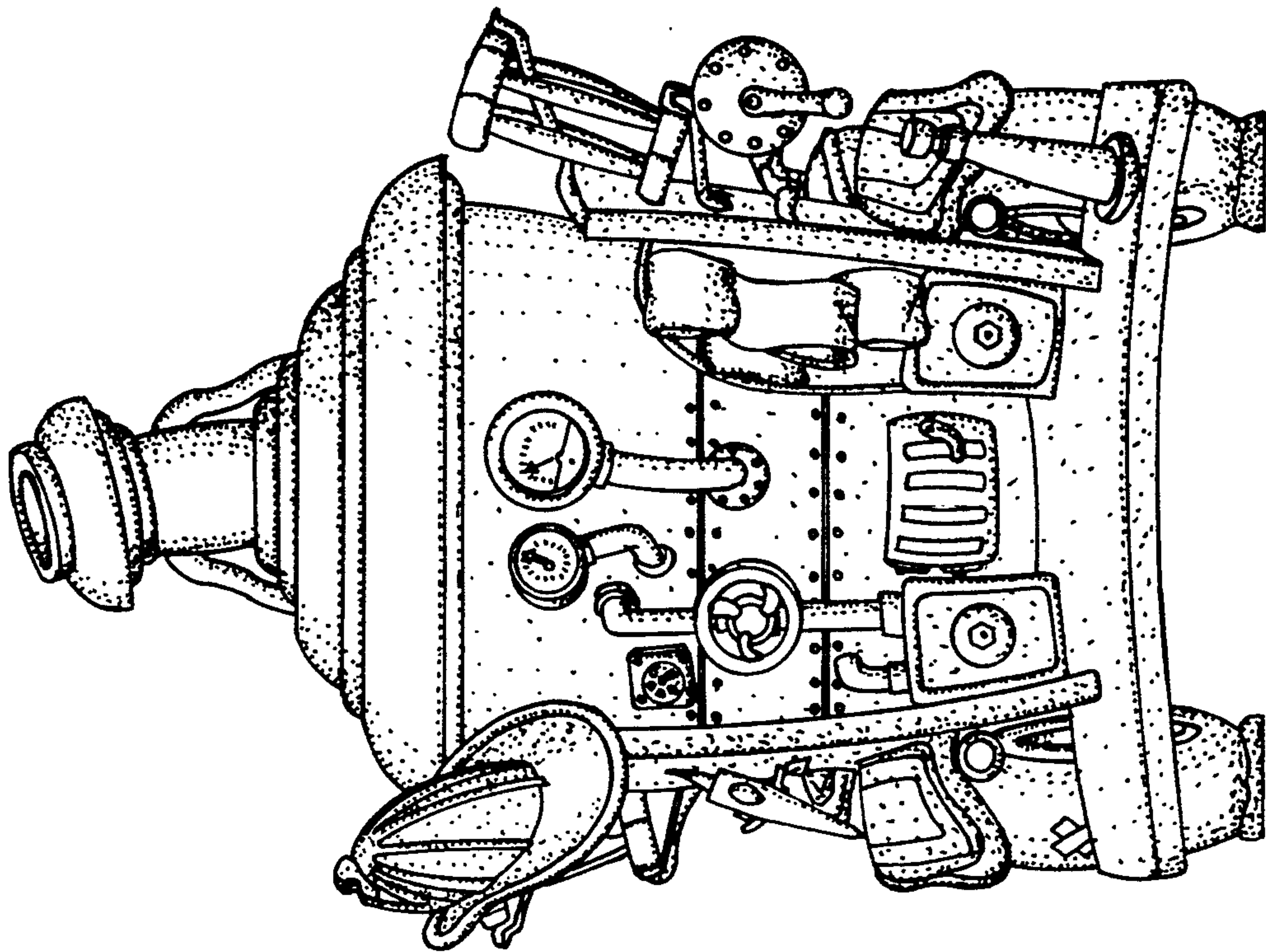


FIG. 4.

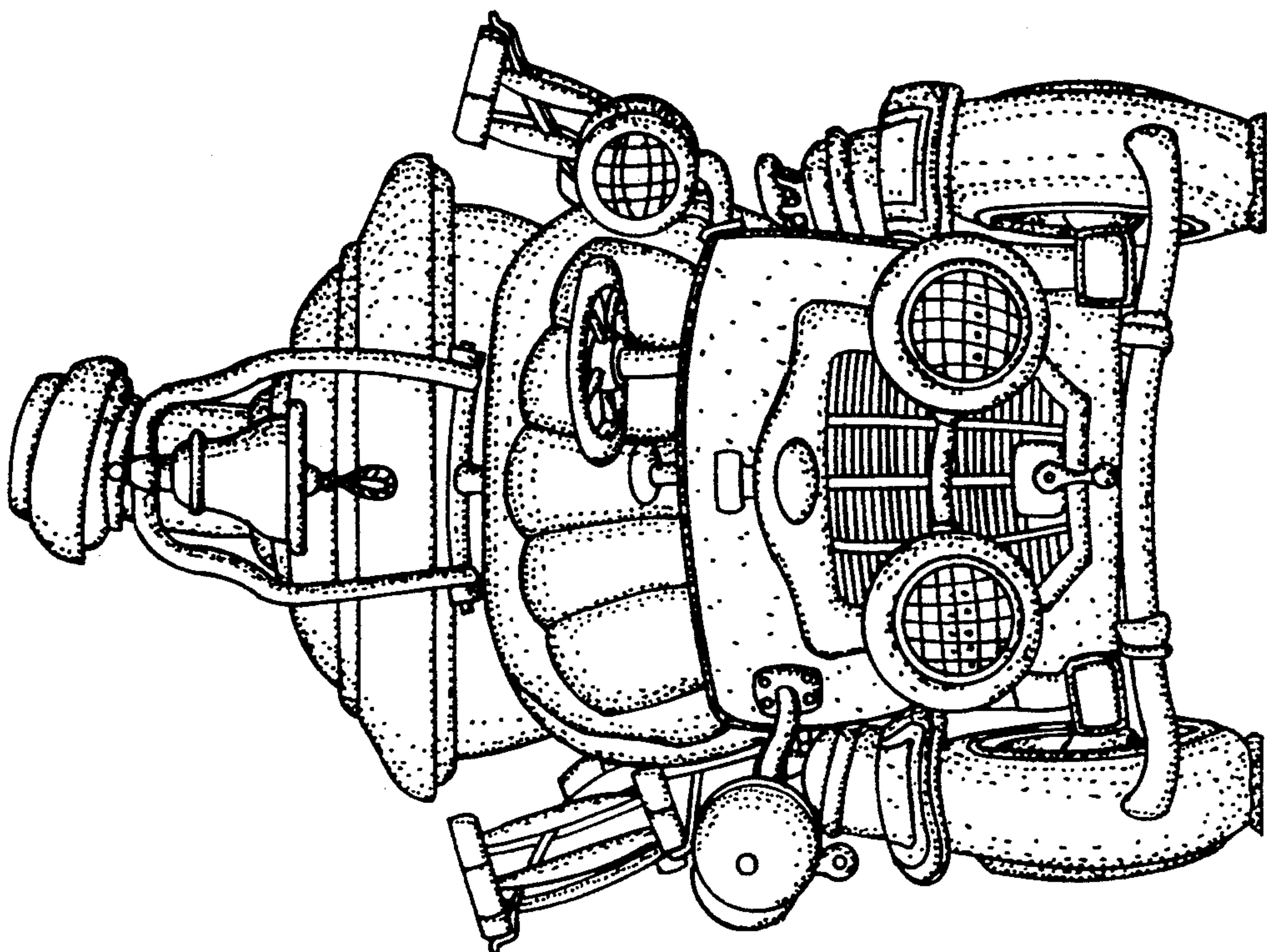


FIG. 3.



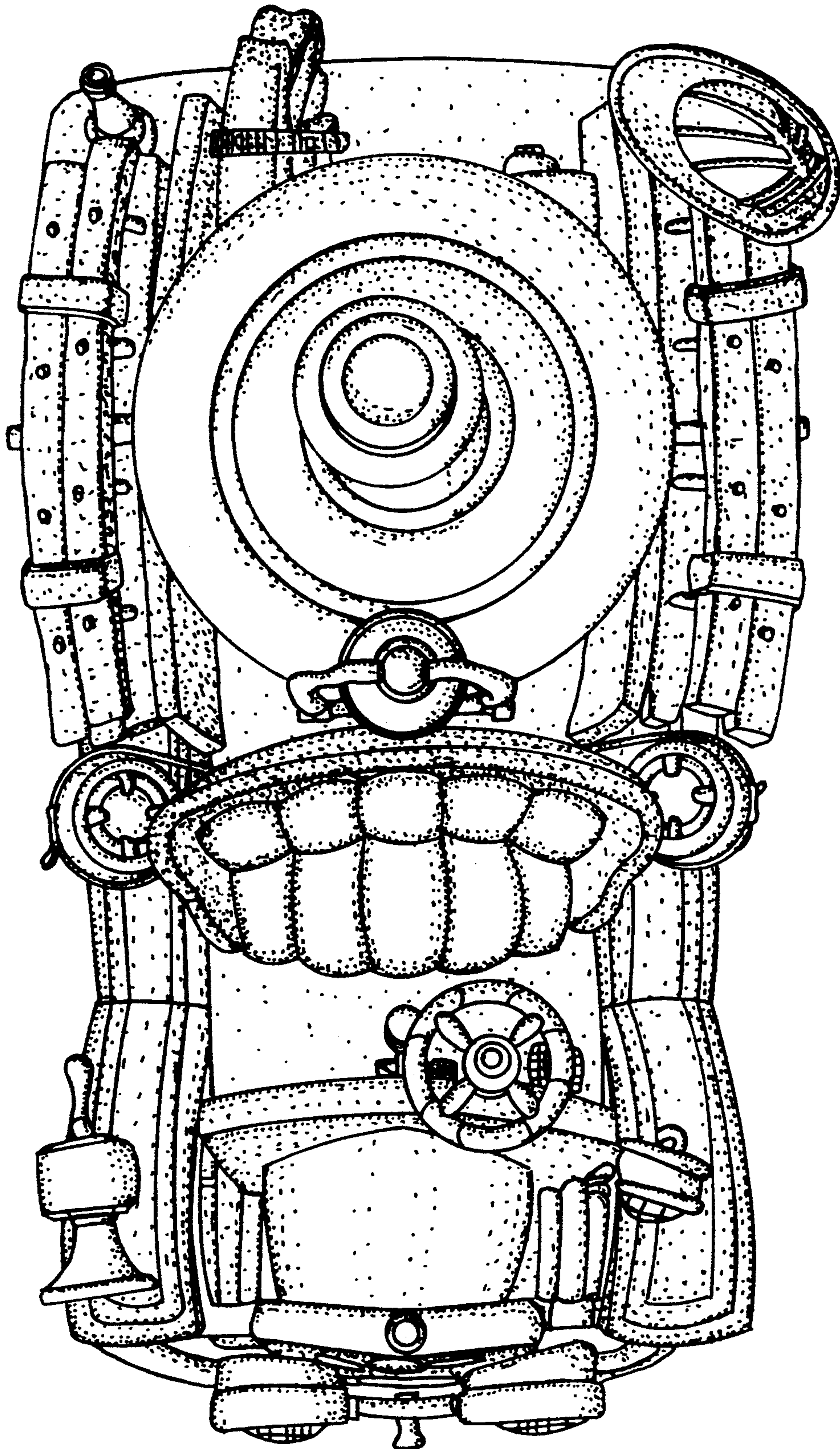


FIG. 5.