



US00D352331S

United States Patent [19] Wu

[11] Patent Number: **Des. 352,331**
[45] Date of Patent: **** Nov. 8, 1994**

[54] **JOY STICK**

4,748,441 5/1988 Brzezinski 273/148 B X

[76] Inventor: **James Wu, No. 40, Yuan Tan Rd.,
Yuan Lin Chen, Changhua Hsien,**

[**] Term: **14 Years**

[21] Appl. No.: **4,749**

[22] Filed: **Feb. 12, 1993**

[52] U.S. Cl. **D21/48**

[58] Field of Search 273/433-438,
273/148 B, DIG. 28; D21/48, 13; D14/114,
124-125, 217, 239

OTHER PUBLICATIONS

Merchandising, Feb. 1983, p. 58 as shown.
Hong Kong Enterprise, Oct. 1990, p. 813, as shown.
Merchandising, Mar. 1983, p. 53, as shown.

Primary Examiner—Prabhakar G. Deshmukh
Attorney, Agent, or Firm—Varndell Legal Group

[57] CLAIM

The ornamental design for joy stick, as shown and described.

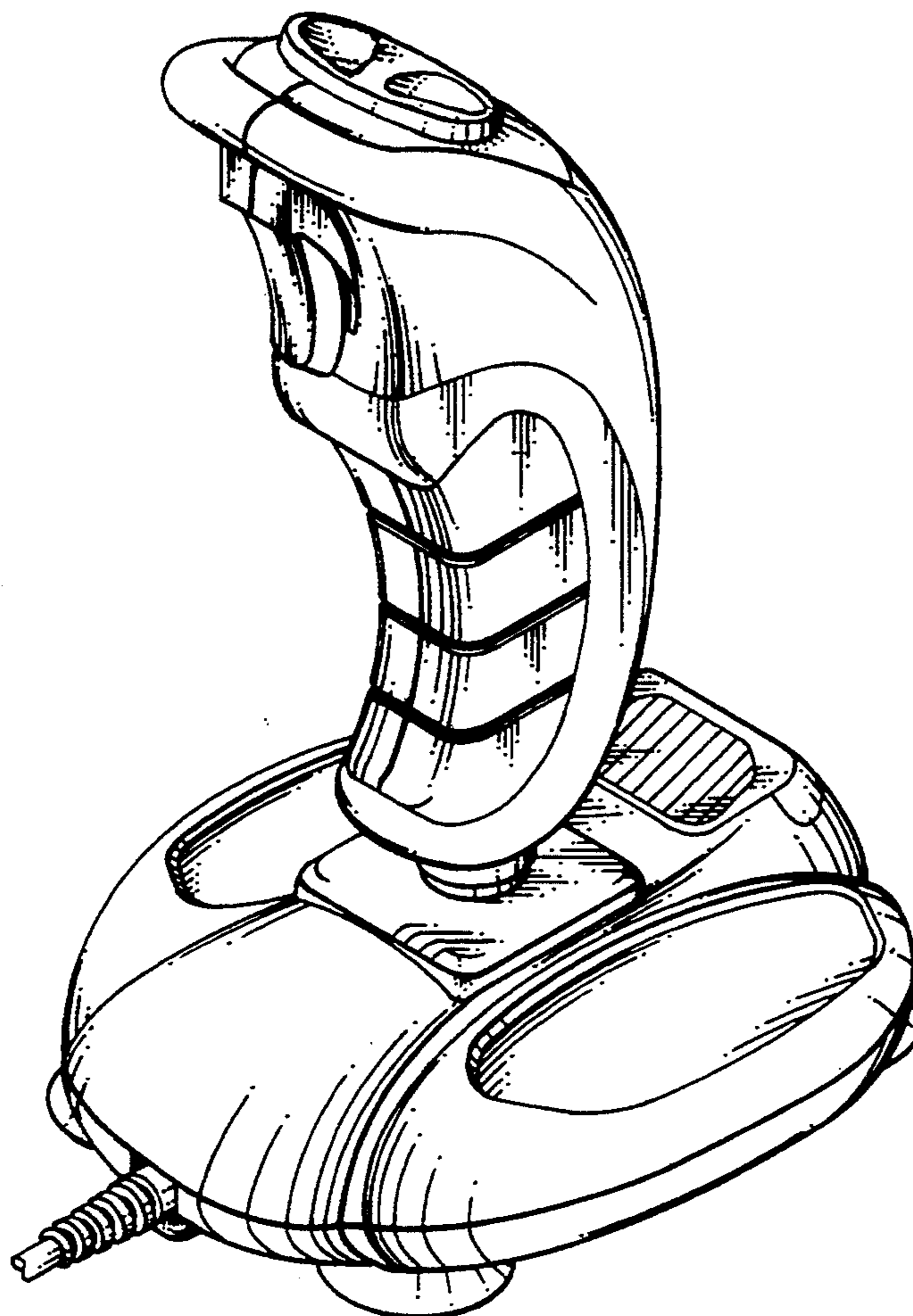
DESCRIPTION

FIG. 1 is a perspective view of joy stick taken from above showing my new design;
FIG. 2 is a front elevational view thereof;
FIG. 3 is a rear elevational view thereof;
FIG. 4 is a left side elevational view thereof;
FIG. 5 is a right side elevational view thereof;
FIG. 6 is a top plan view thereof; and,
FIG. 7 is a bottom plan view thereof.

[56] References Cited

U.S. PATENT DOCUMENTS

D. 284,983	8/1986	Liu	D21/48
D. 317,948	7/1991	Tse	D21/48
D. 317,949	7/1991	Tse	D21/48
D. 330,371	10/1992	Tse	D21/48 X
D. 342,763	12/1993	Tse	D21/48
4,658,666	4/1987	Liu	273/148 B X



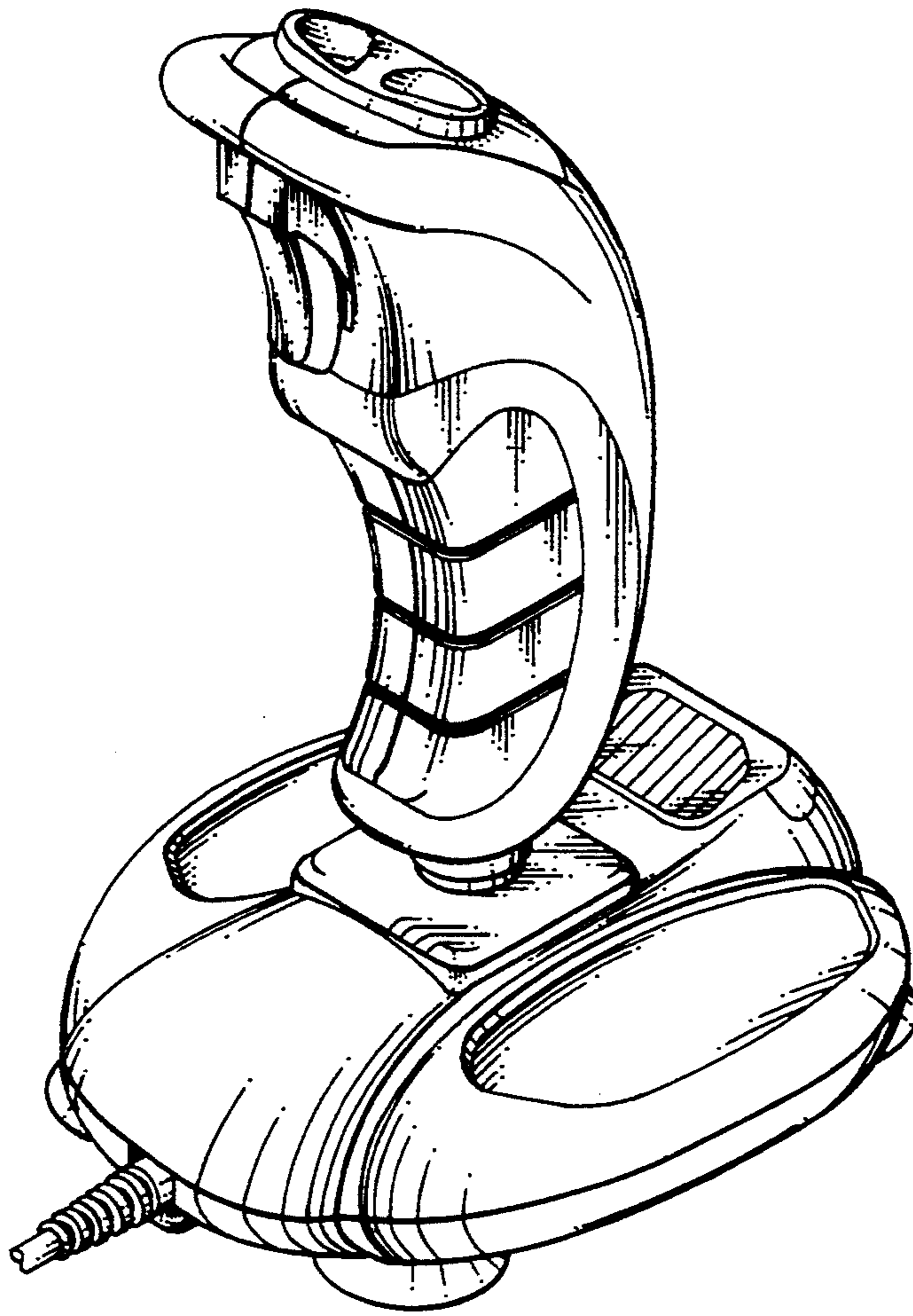


FIG - 1

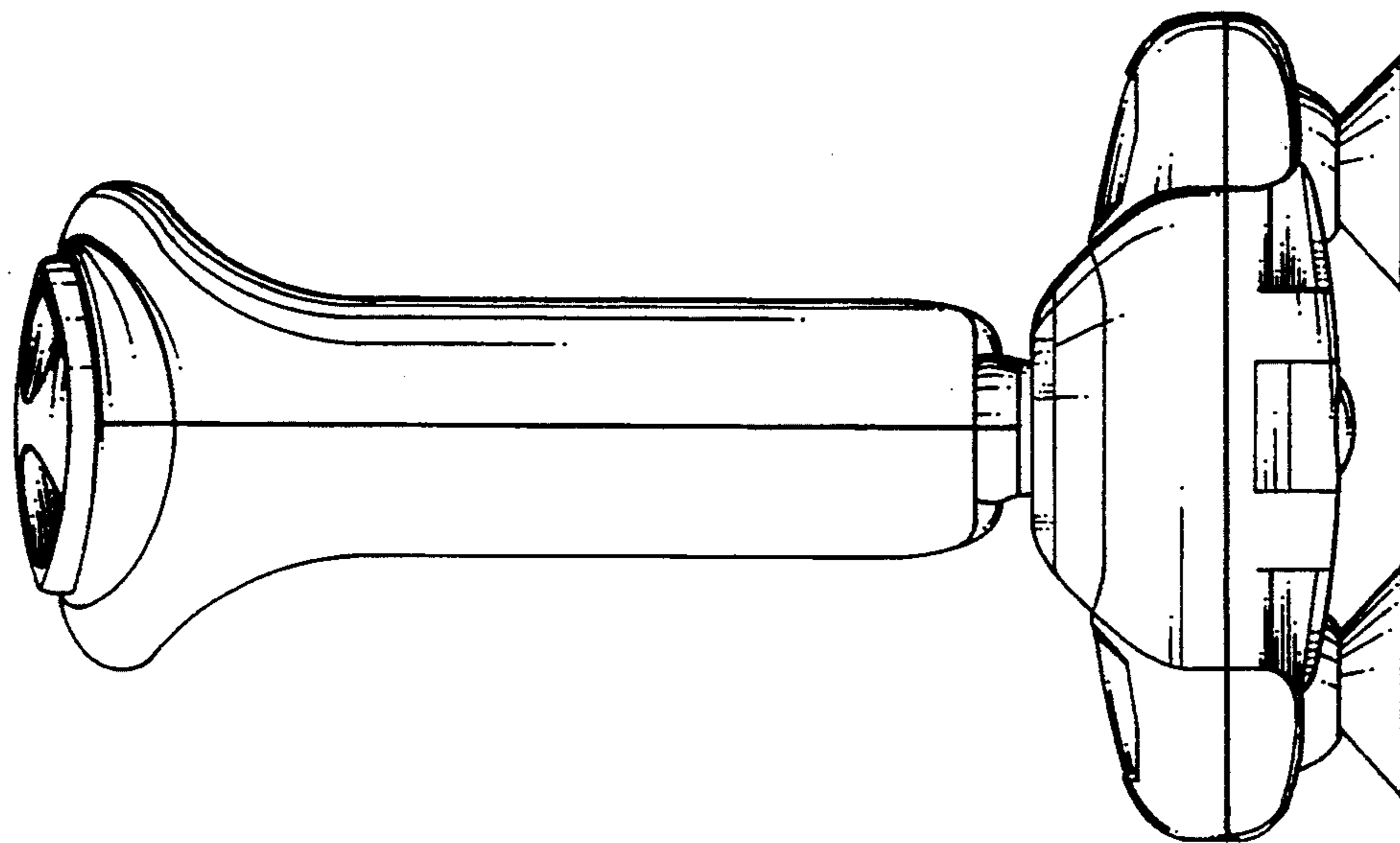


FIG-3

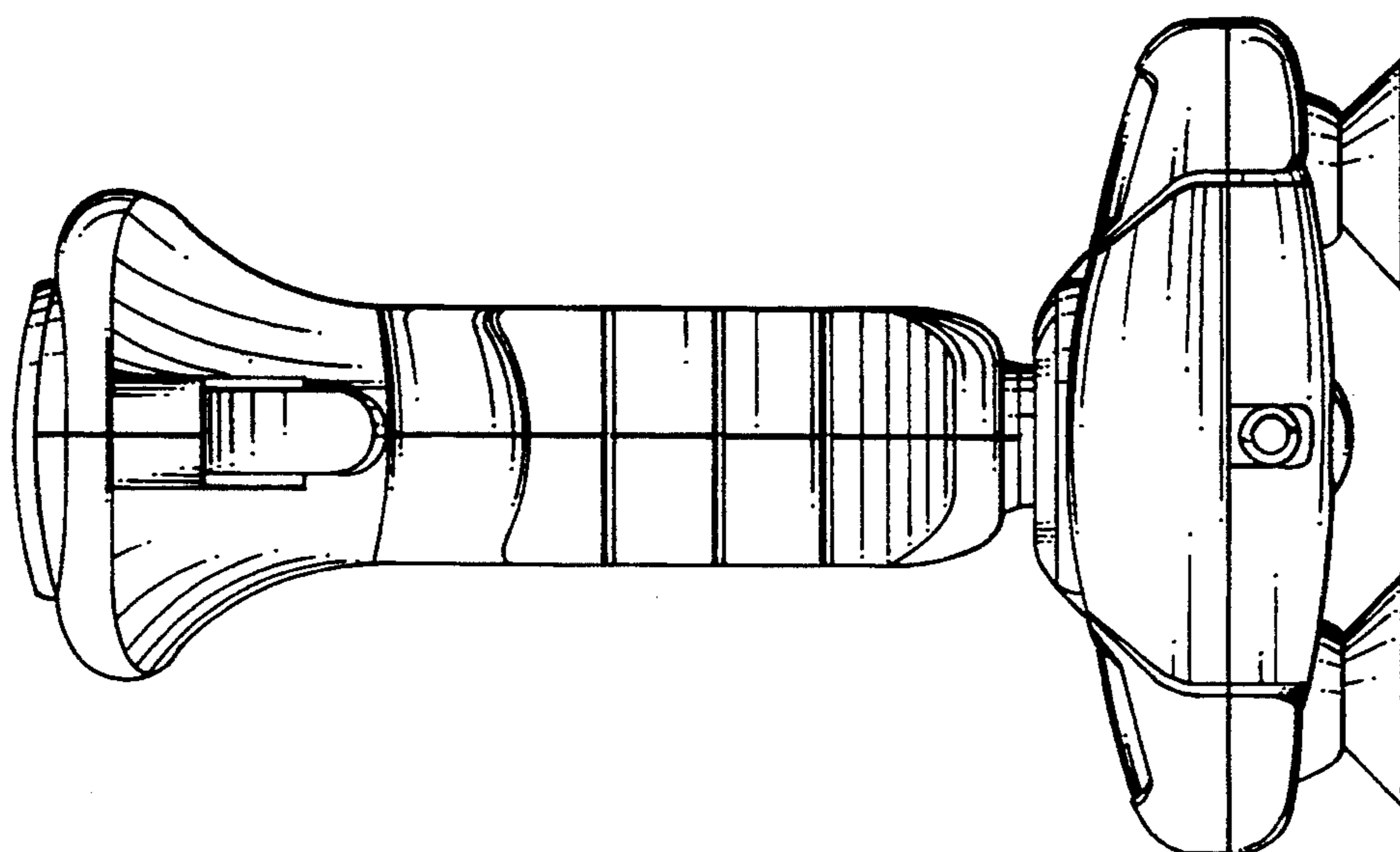


FIG-2

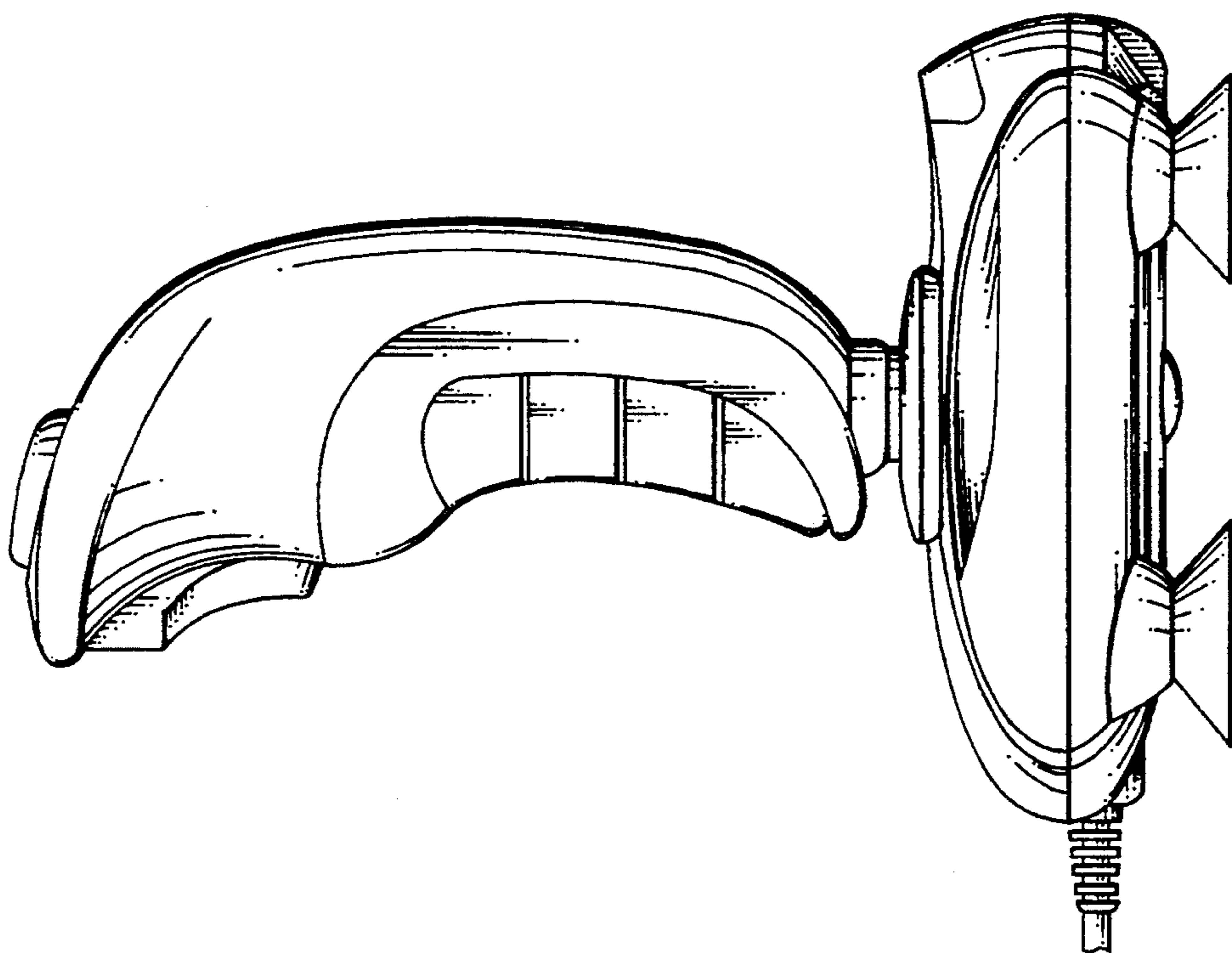


FIG-5

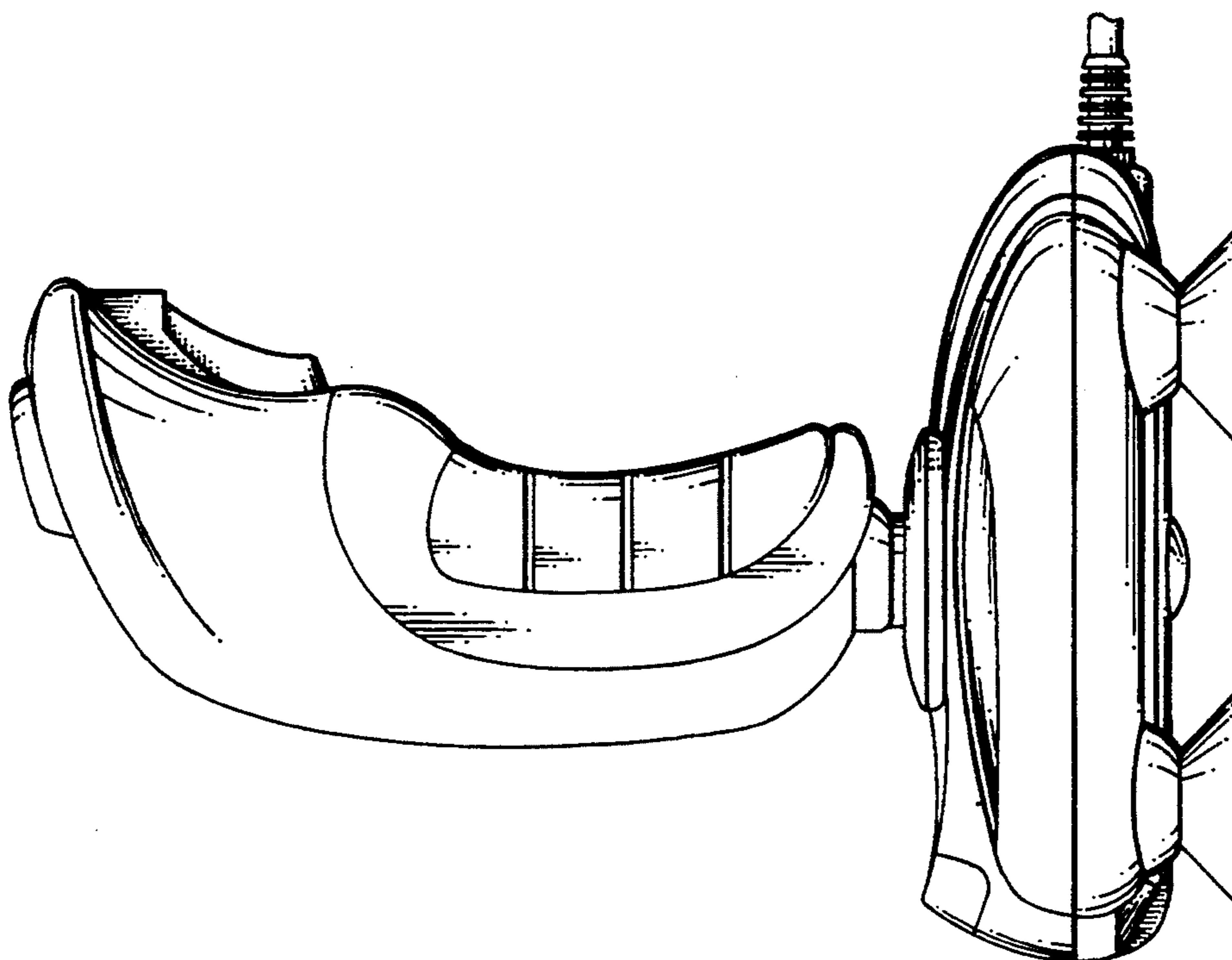


FIG-4

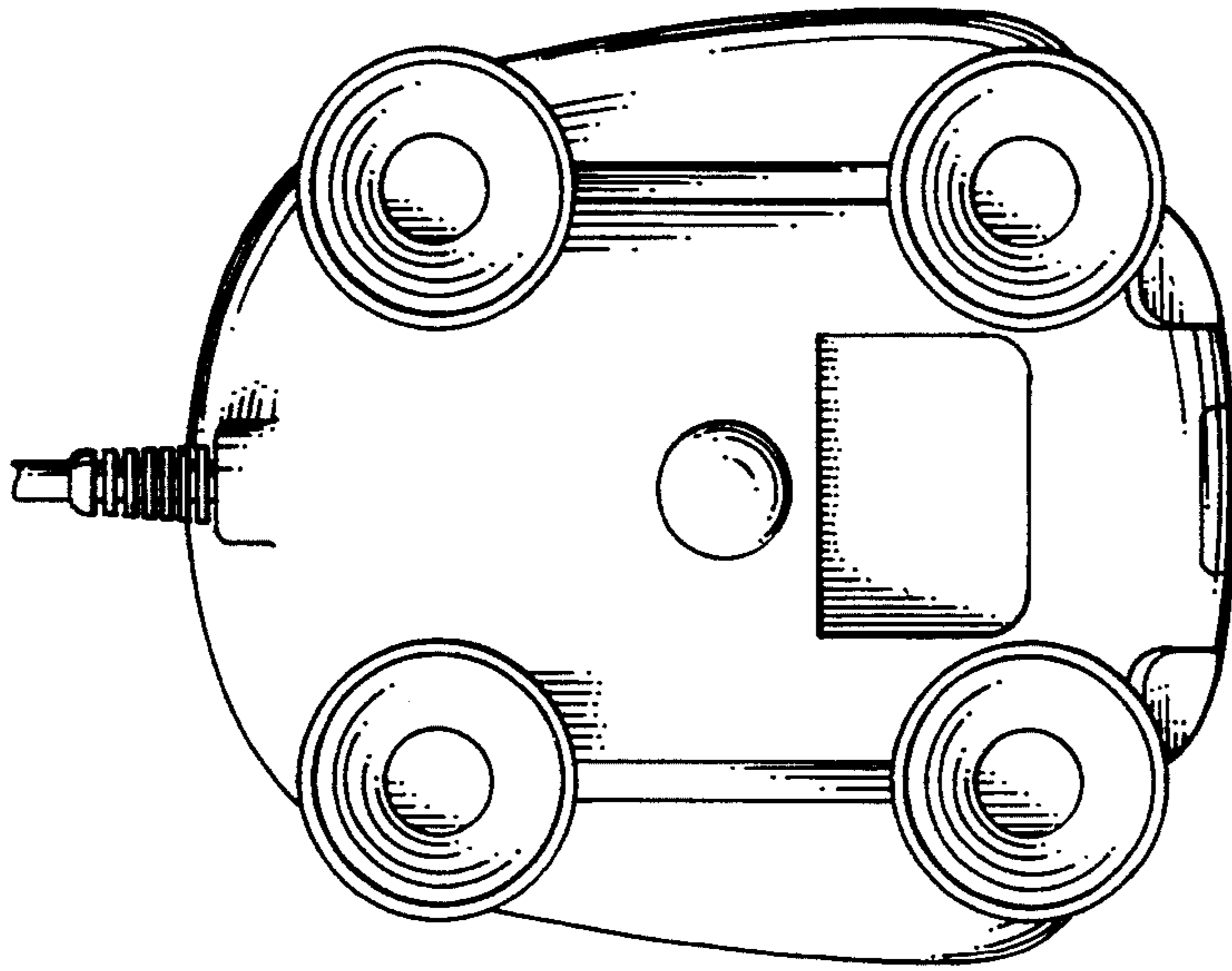


FIG - 7

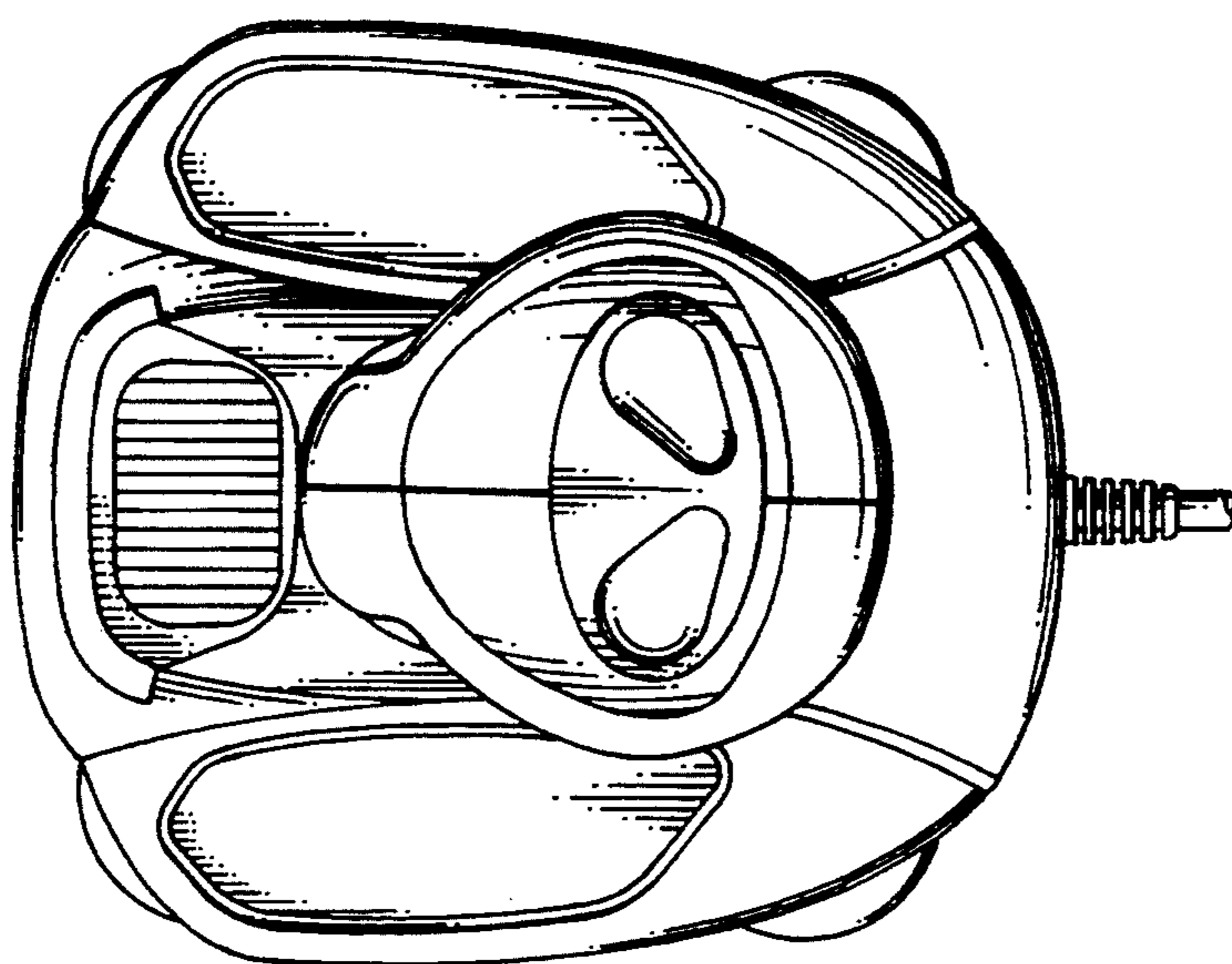


FIG - 6