



US00D352328S

**United States Patent** [19]  
**Boyd**

[11] **Patent Number: Des. 352,328**  
[45] **Date of Patent: \*\* Nov. 8, 1994**

[54] **HAPPY CAMPER INFLATABLE TENT**

[76] **Inventor: Gary D. Boyd, P.O. Box 698,  
Carnation, Wash. 98014**

[\*\*] **Term: 14 Years**

[21] **Appl. No.: 5,530**

[22] **Filed: Mar. 1, 1993**

[52] **U.S. Cl. .... D21/253**

[58] **Field of Search** ..... 135/87, 97, 104, 106,  
135/102, 117, 900; 52/2.18; 446/487, 478;  
D21/253; D25/13, 19, 26, 56

[56] **References Cited**

**U.S. PATENT DOCUMENTS**

D. 252,582 8/1979 Rain ..... D21/253  
D. 271,123 10/1983 Jutras ..... D21/253

D. 302,720 8/1989 Merrill ..... D21/153  
D. 326,495 5/1992 Pearce ..... D21/253  
4,876,829 10/1989 Mattick ..... 135/106  
5,007,212 4/1991 Fritts ..... 52/2.18

*Primary Examiner*—Bernard Ansher  
*Assistant Examiner*—R. Barkai

[57] **CLAIM**

The ornamental design for a happy camper inflatable tent, as shown and described.

**DESCRIPTION**

FIG. 1 is a front elevational view of the happy camper inflatable tent showing my new design;  
FIG. 2 is a rear elevational view thereof;  
FIG. 3 is a left side elevational view thereof;  
FIG. 4 is a right side elevational view thereof;  
FIG. 5 is a top plan view thereof; and,  
FIG. 6 is a bottom plan view thereof.

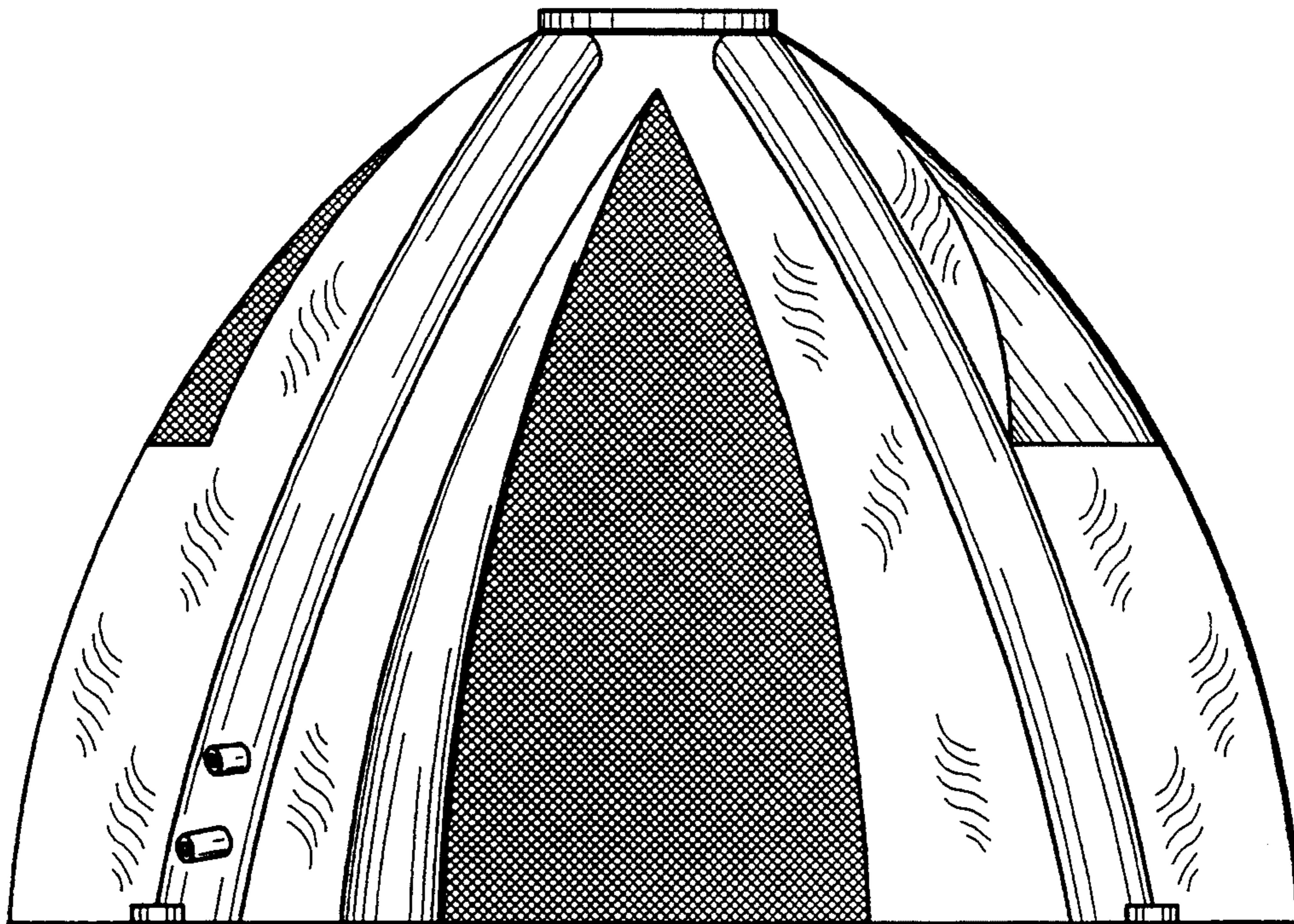


FIG. 1

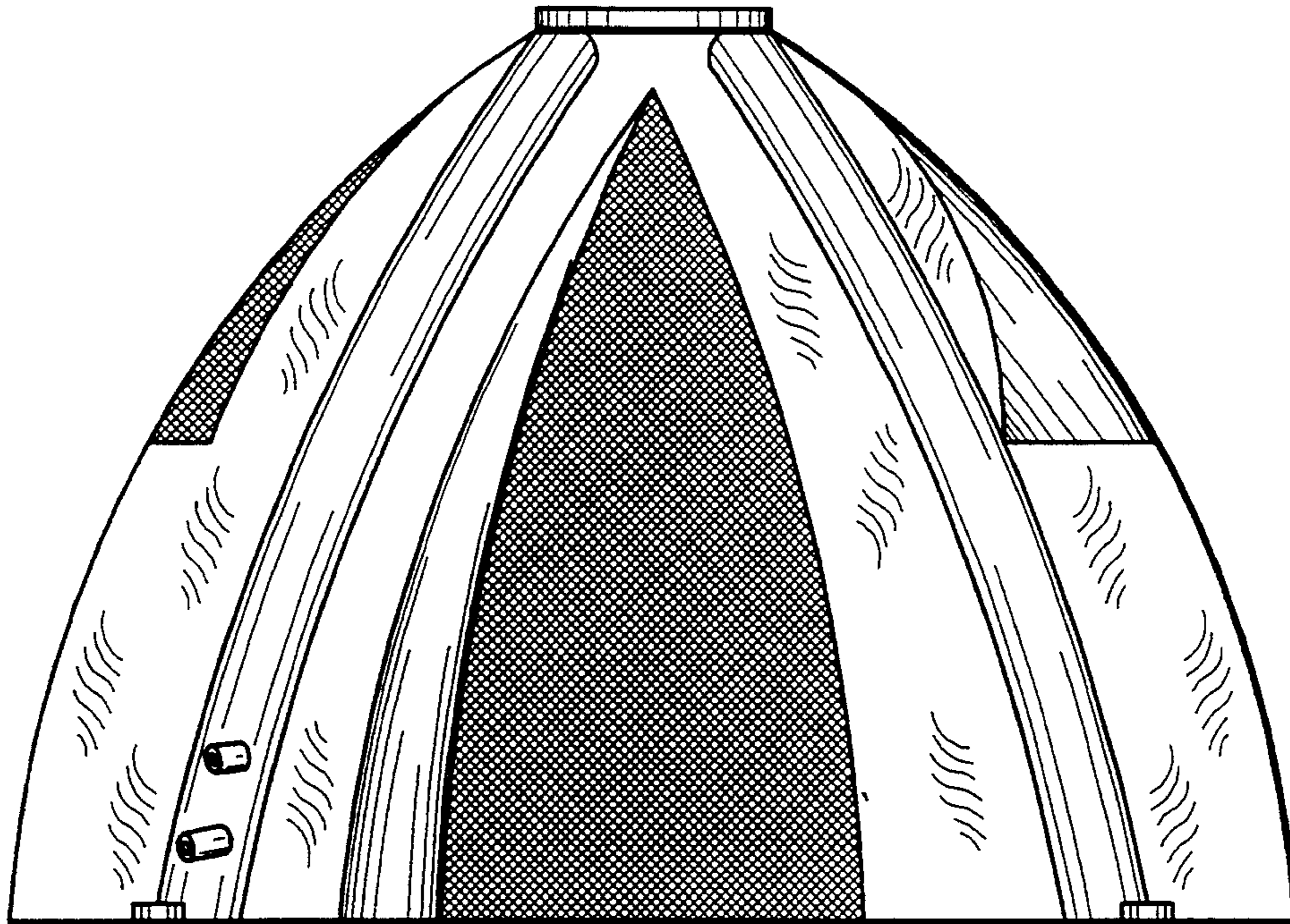


FIG. 2

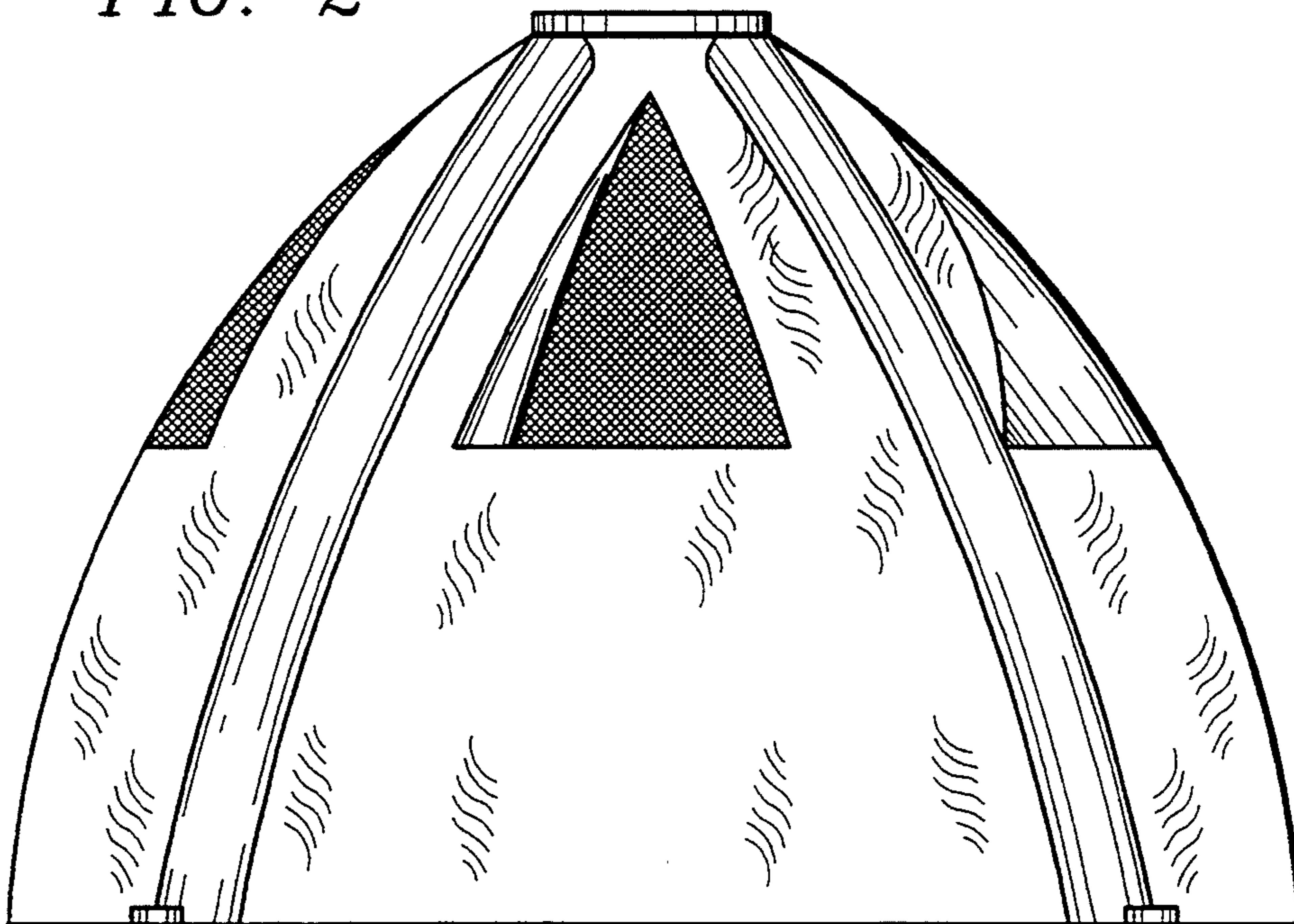


FIG. 3

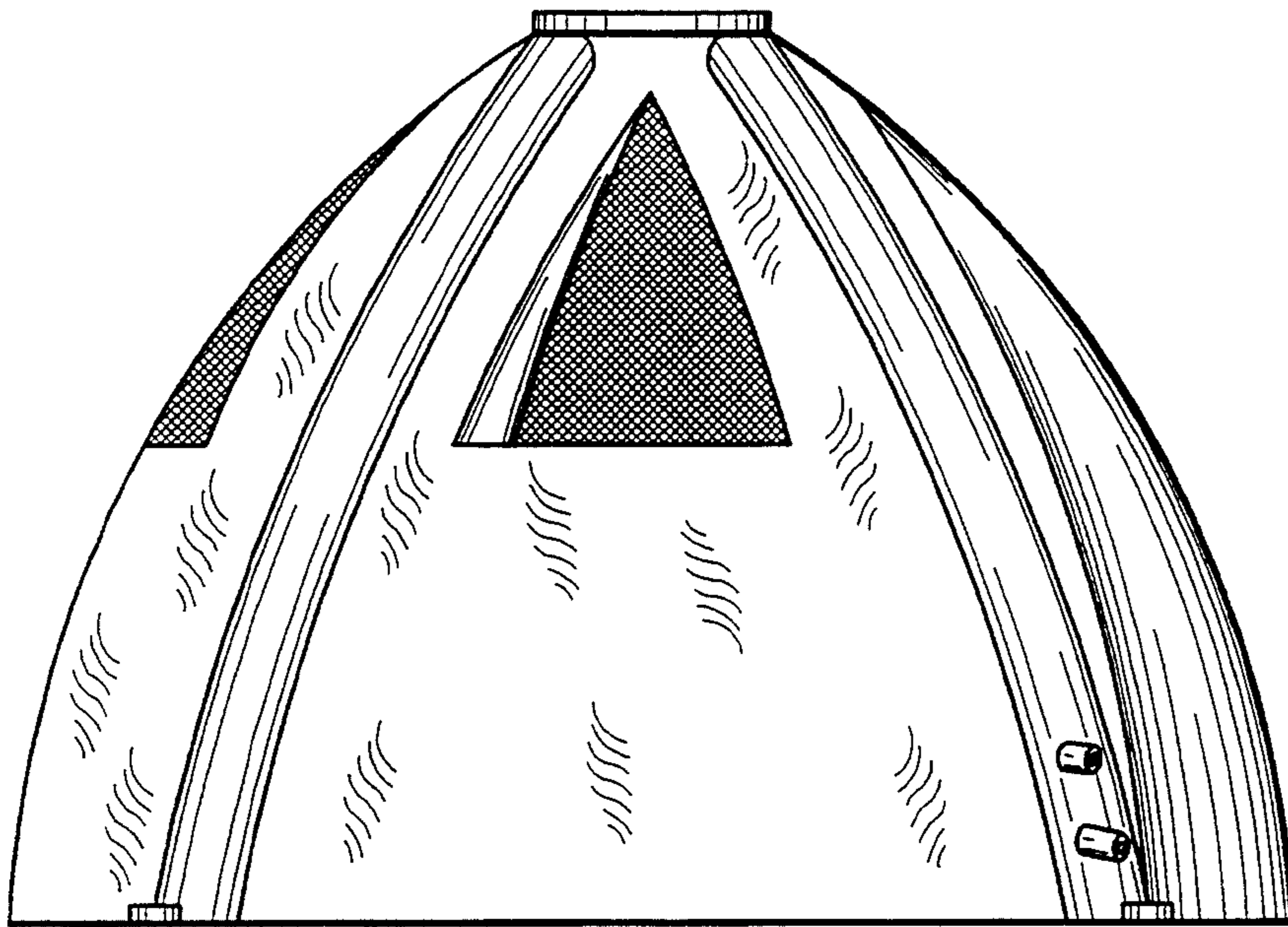


FIG. 4

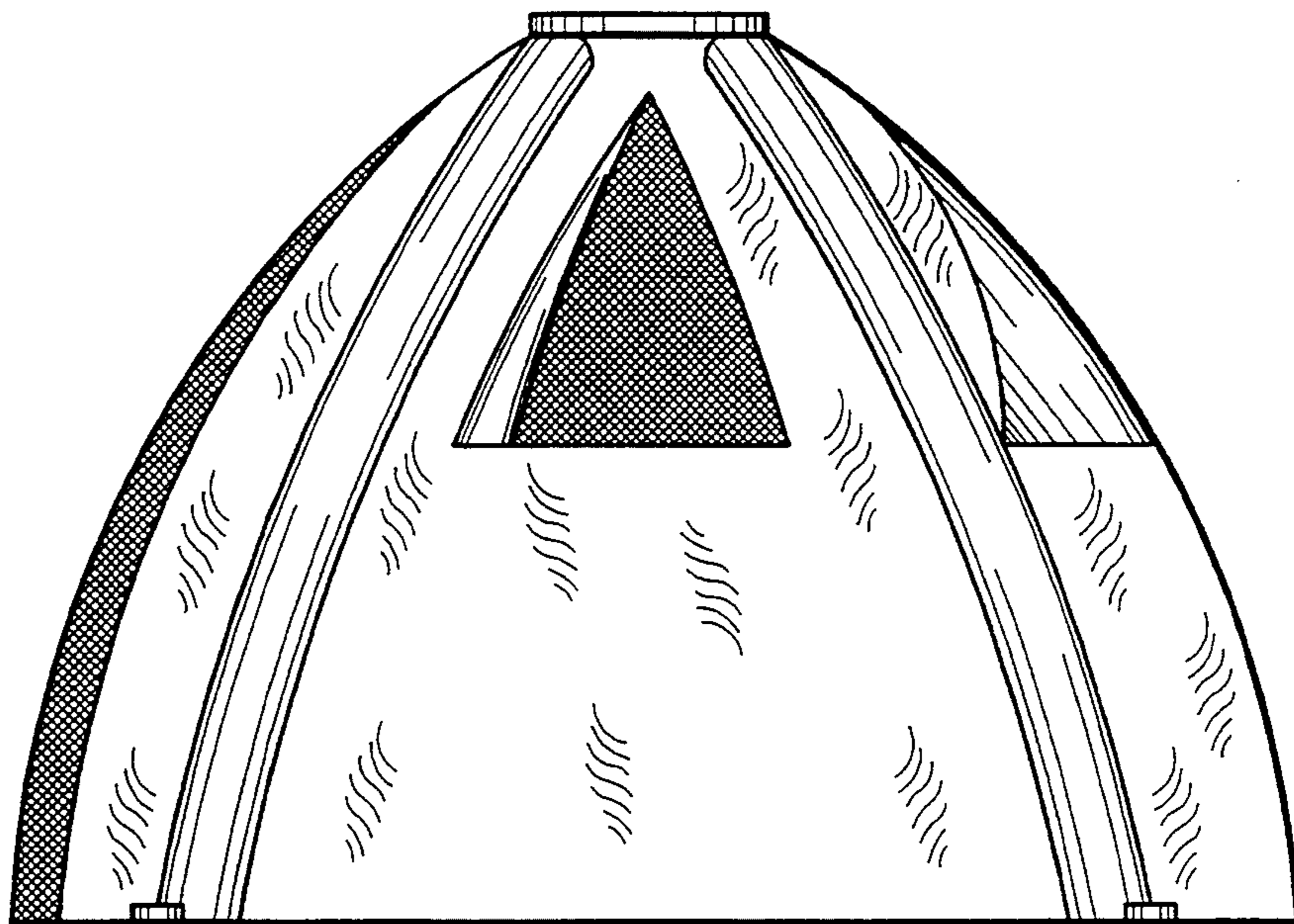


FIG. 5

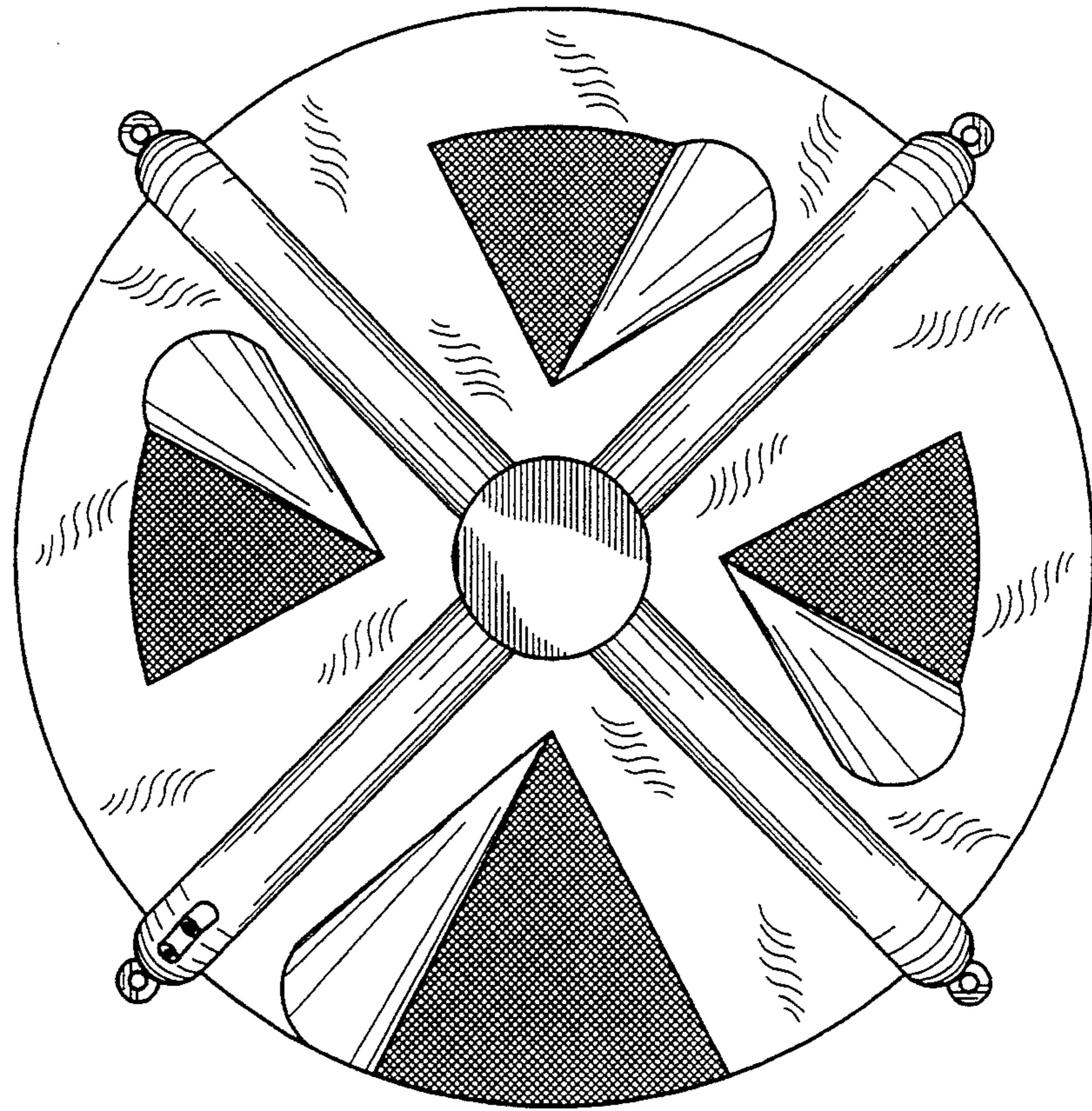


FIG. 6

