



US00D352314S

United States Patent [19]

[11] Patent Number: **Des. 352,314**

Wolff

[45] Date of Patent: **** Nov. 8, 1994**

[54] **PROMOTIONAL CLIP FOR MOUNTING ON WALL OR CLIPBOARD**

[76] Inventor: **Stephen H. Wolff, 35 West 35th St., New York, N.Y. 10001**

[**] Term: **14 Years**

[21] Appl. No.: **934,251**

[22] Filed: **Aug. 24, 1992**

[52] U.S. Cl. **D19/65; D19/88; D19/86; D8/395**

[58] Field of Search **D8/395; 24/67 R, 67.1-67.11, 24/501, 507, 511, 489, 499, 545-549, 562, 563; 248/441.1, 442.2, 451, 452; D19/34, 65, 86, 88, 90, 99, 100**

[56] **References Cited**

U.S. PATENT DOCUMENTS

- D. 182,577 4/1958 Fleming D19/88
- D. 201,230 5/1965 McFadyen D8/395 X
- D. 229,033 11/1973 Cooper D8/395
- D. 302,653 8/1989 Wolff .

- D. 334,213 3/1993 Evenson D19/88
- 2,589,889 3/1952 Stegeman 24/67.5
- 2,943,372 7/1960 Fleming 24/511 X
- 3,670,370 6/1972 Goodwin 24/67.7
- 4,014,077 3/1977 Hitchcock et al. 24/67.5

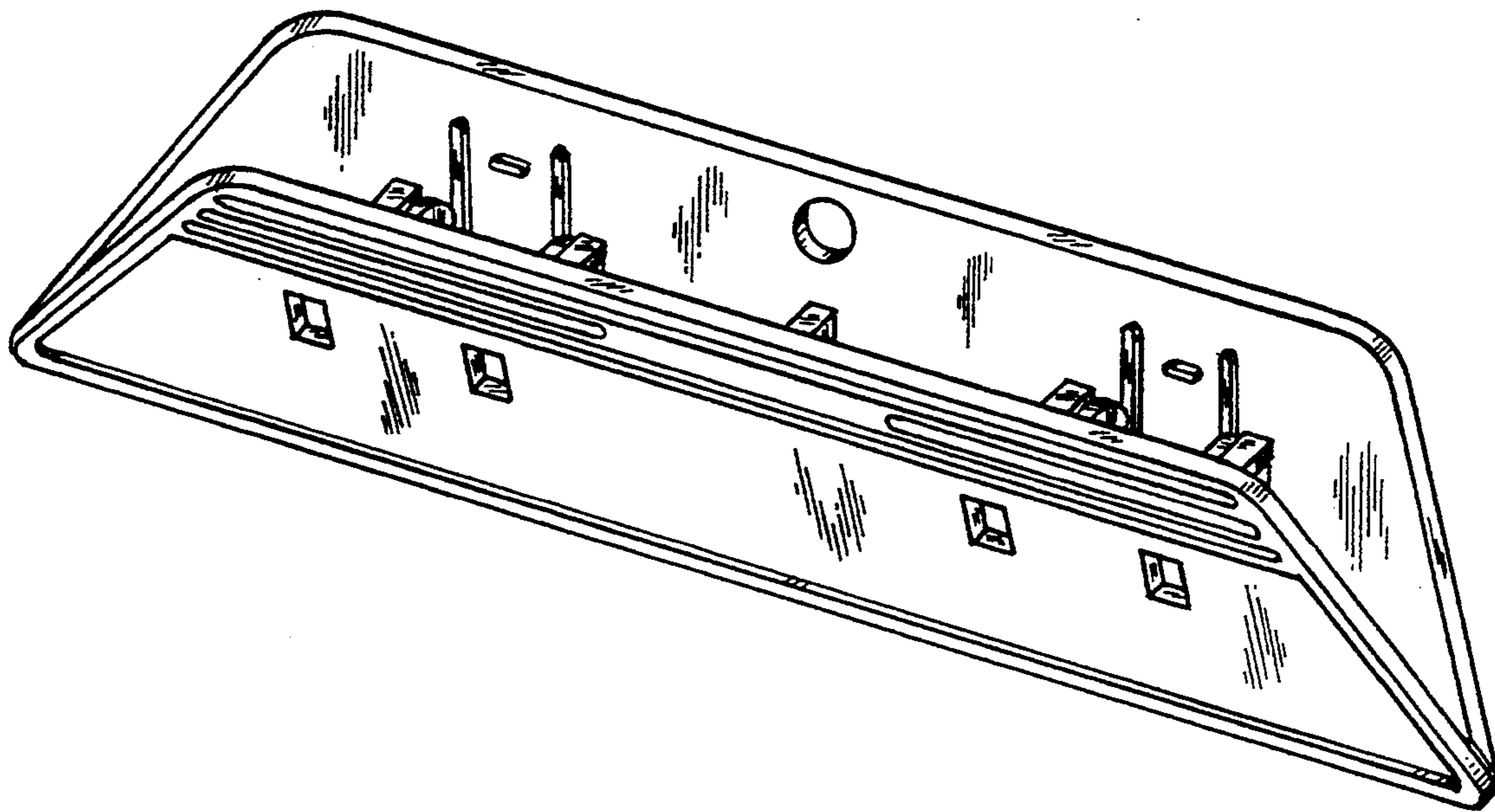
Primary Examiner—Martie Thompson
Attorney, Agent, or Firm—Lerner, David, Littenberg, Krumholz & Mentlik

[57] **CLAIM**

The ornamental design for a promotional clip for mounting on wall or clipboard, as shown and described.

DESCRIPTION

FIG. 1 is a front perspective view of a promotional clip for mounting on wall or clipboard showing my new design;
 FIG. 2 is a top front perspective view;
 FIG. 3 is a front elevational view;
 FIG. 4 is a bottom plan view;
 FIG. 5 is a side elevational view;
 FIG. 6 is a rear elevational view; and,
 FIG. 7 is a top plan view.



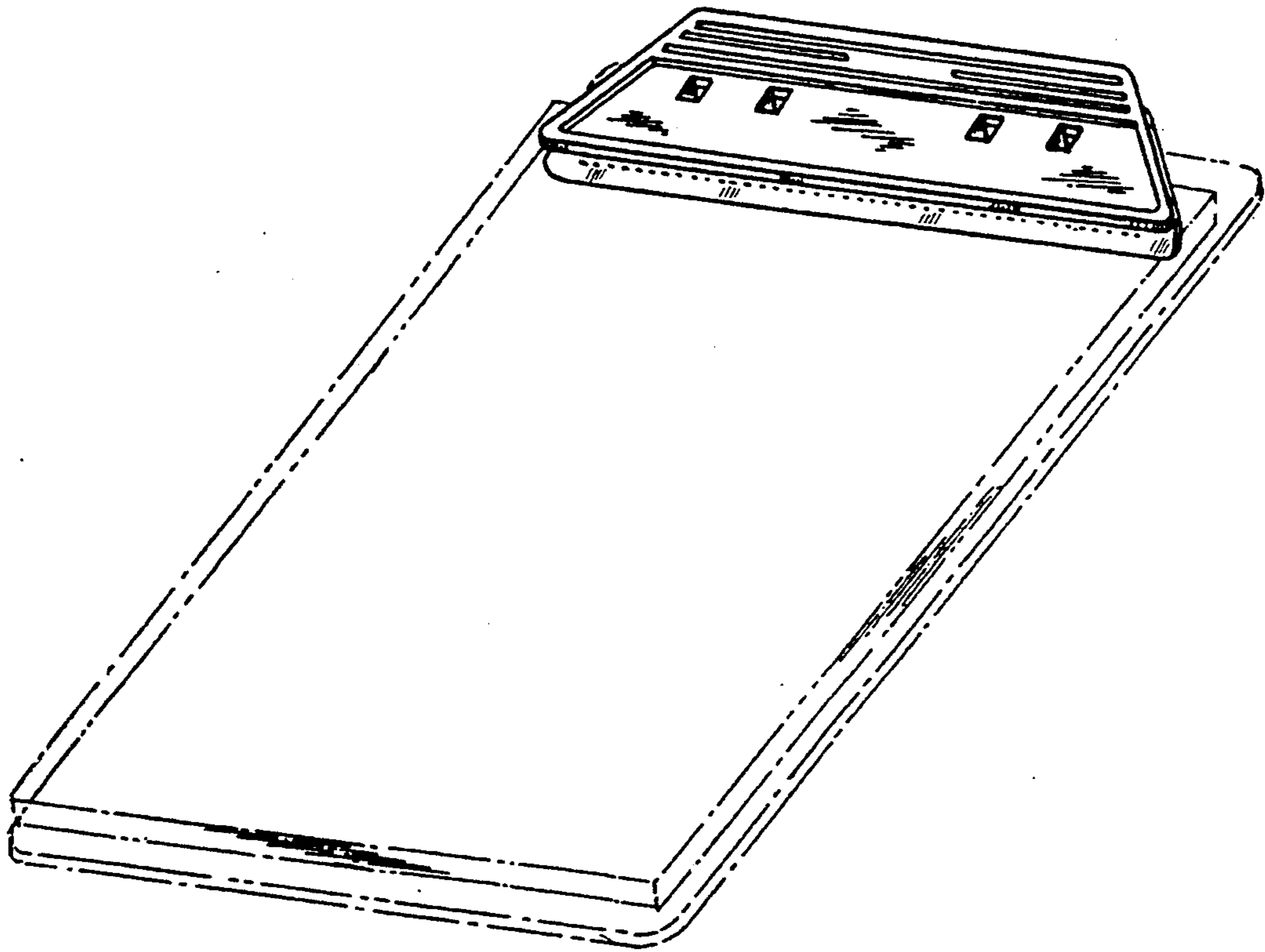


FIG. 1

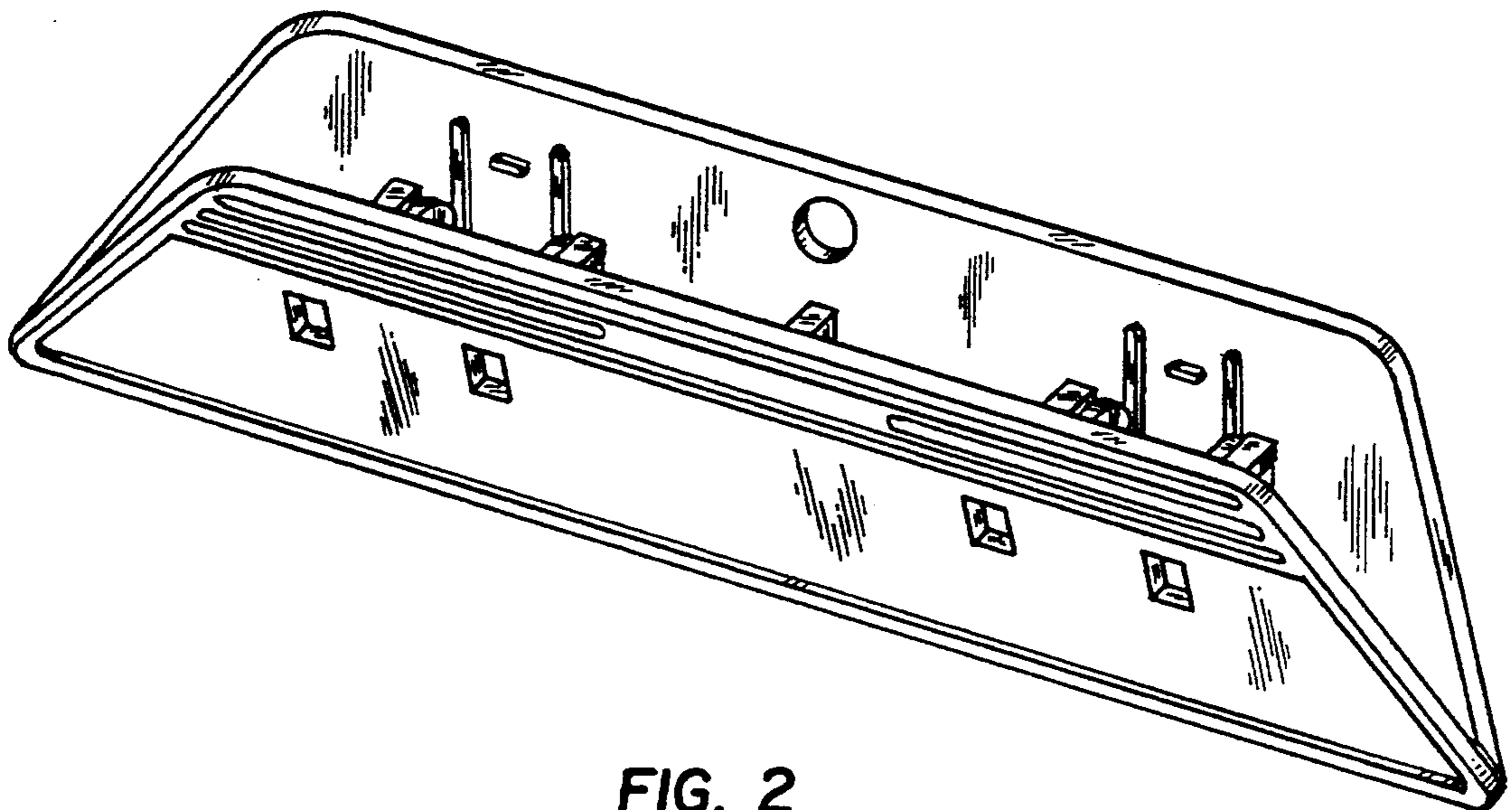


FIG. 2

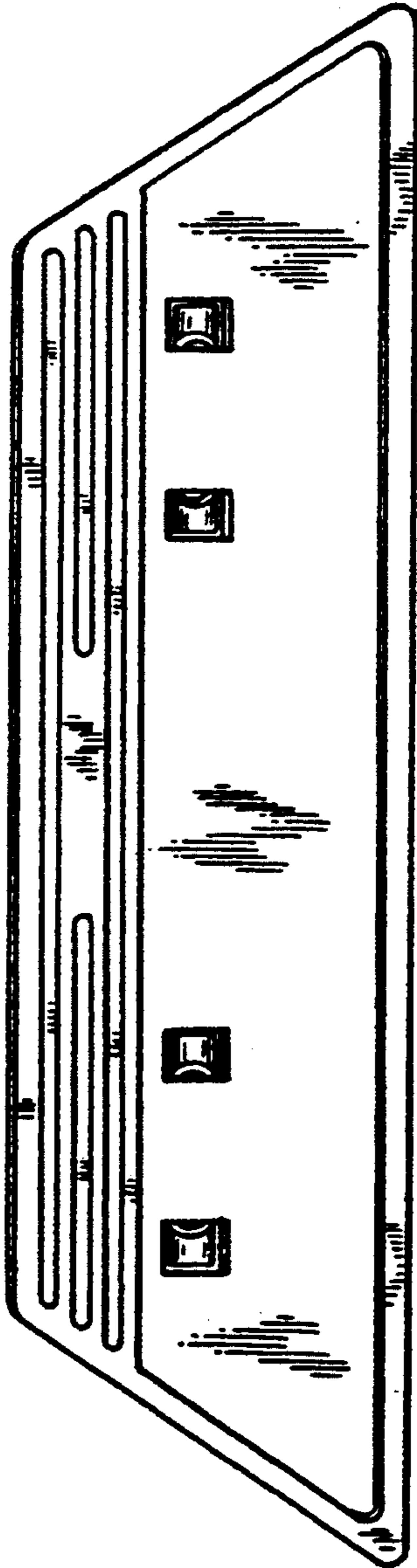


FIG. 3

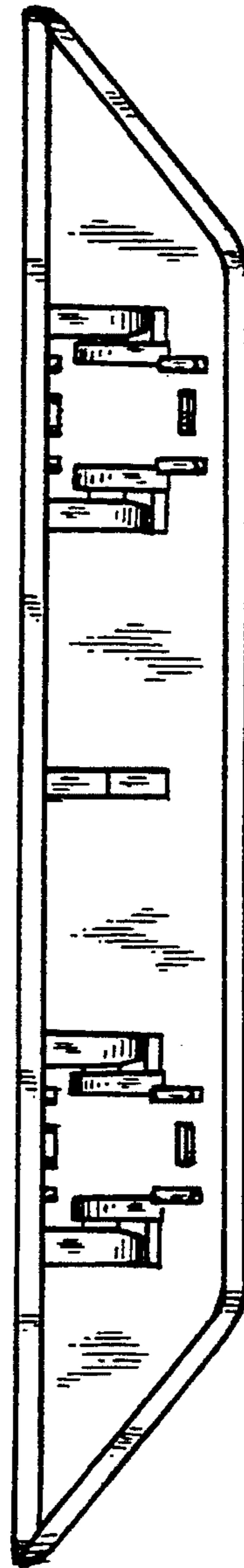


FIG. 4

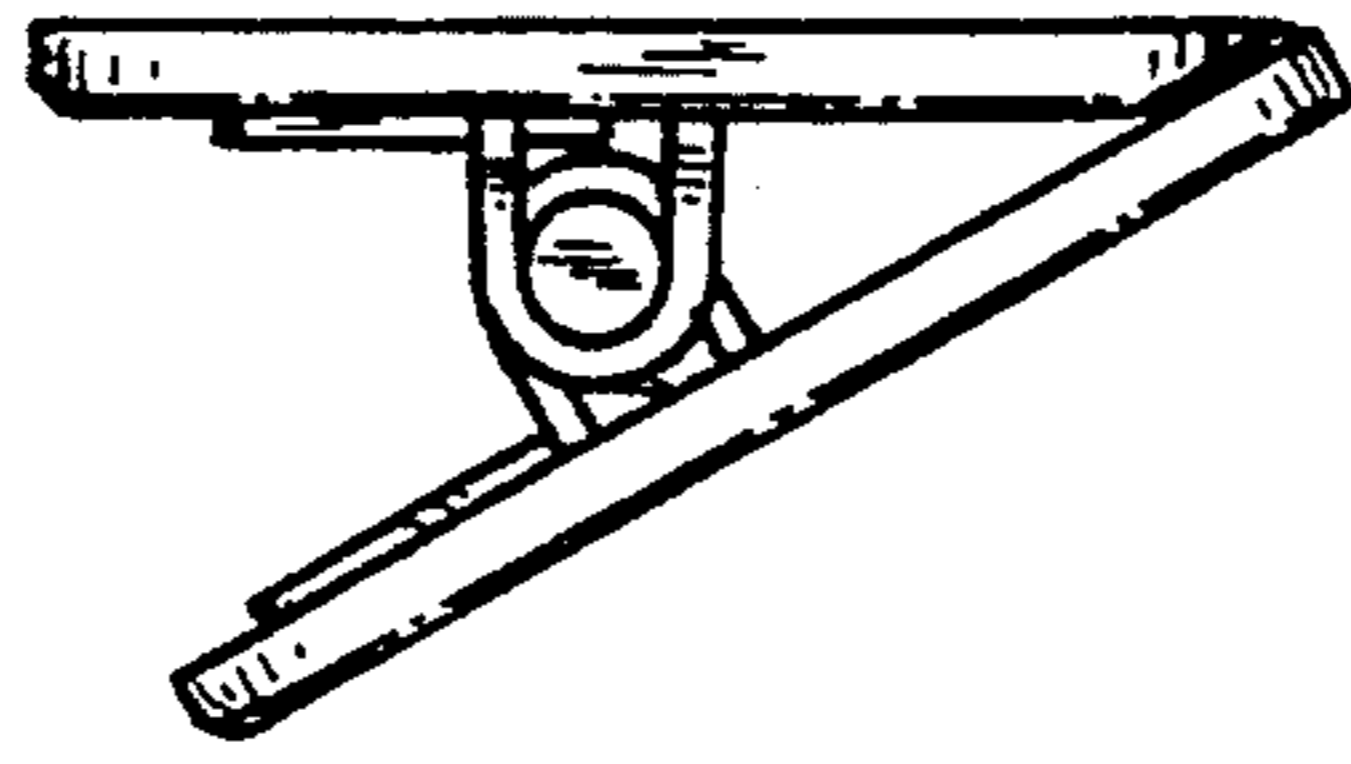


FIG. 5

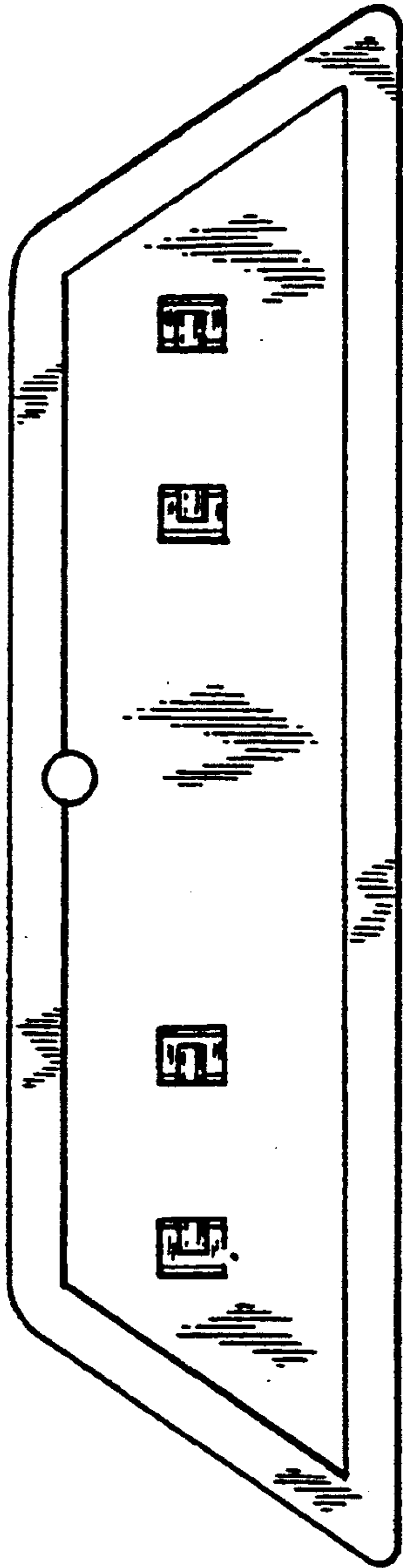


FIG. 6

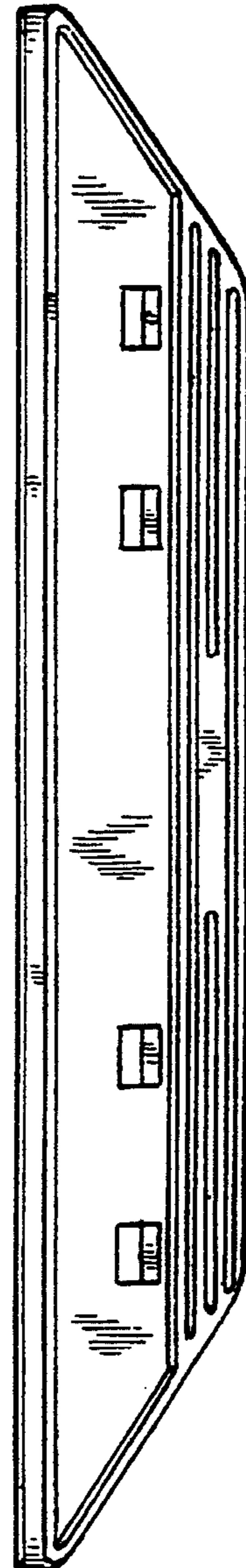


FIG. 7