



US00D352310S

**United States Patent** [19]  
**Edwards**

[11] **Patent Number: Des. 352,310**  
[45] **Date of Patent: \*\* Nov. 8, 1994**

[54] **DOCUMENT SHEET WITH APERTURES FOR CARDS**

[75] Inventor: **Paul R. Edwards, St. Louis, Mo.**

[73] Assignee: **FormStore Incorporated, Fenton, Mo.**

[\*\*] Term: **14 Years**

[21] Appl. No.: **798**

[22] Filed: **Oct. 23, 1992**

[52] U.S. Cl. .... **D19/32**

[58] **Field of Search** ..... 40/380, 383, 391, 404, 40/527, 537, 159.1; D3/35, 30.1; 206/461; 428/42, 41, 43; 283/81, 18, 21; D19/32, 33, 75, 530, 537; D20/10, 39, 40, 41, 42

[56] **References Cited**

**U.S. PATENT DOCUMENTS**

D. 259,048	4/1981	Peterson	.....	D19/33
D. 266,771	11/1982	Wihlke	.....	D19/33
2,283,026	5/1942	Yates	.....	40/404
2,284,031	5/1942	Arnold et al.	.....	206/461 X
2,296,272	9/1942	Sherbinin	.....	206/461
4,277,089	7/1981	Lockhart	.	
4,379,573	4/1983	Lomeli et al.	.	
4,799,712	1/1989	Biava et al.	.	
4,890,862	1/1990	Buchholz	.	

**FOREIGN PATENT DOCUMENTS**

2077186 12/1981 United Kingdom ..... D19/33 X

*Primary Examiner*—Wallace R. Burke

*Assistant Examiner*—Pamela Burgess

*Attorney, Agent, or Firm*—Rogers, Howell & Haferkamp

[57] **CLAIM**

The ornamental design for the document sheet with apertures for cards, as shown and described.

**DESCRIPTION**

FIG. 1 is a top plan view of a document sheet with aperture for cards showing my new design;  
 FIG. 2 is a front elevational view thereof;  
 FIG. 3 is a left side elevational view thereof;  
 FIG. 4 is a right side elevational view thereof;  
 FIG. 5 is a bottom plan view thereof;  
 FIG. 6 is a rear elevational view thereof;  
 FIG. 7 is a cross-sectional view thereof, taken along line 7—7 in FIG. 2;  
 FIG. 8 is an orthographic projection thereof;  
 FIG. 9 is a front elevational view of a second embodiment thereof;  
 FIG. 10 is a rear elevational view of the second embodiment thereof;  
 FIG. 11 is a front elevational view of a third embodiment thereof; and,  
 FIG. 12 is a rear elevational view of the third embodiment thereof.

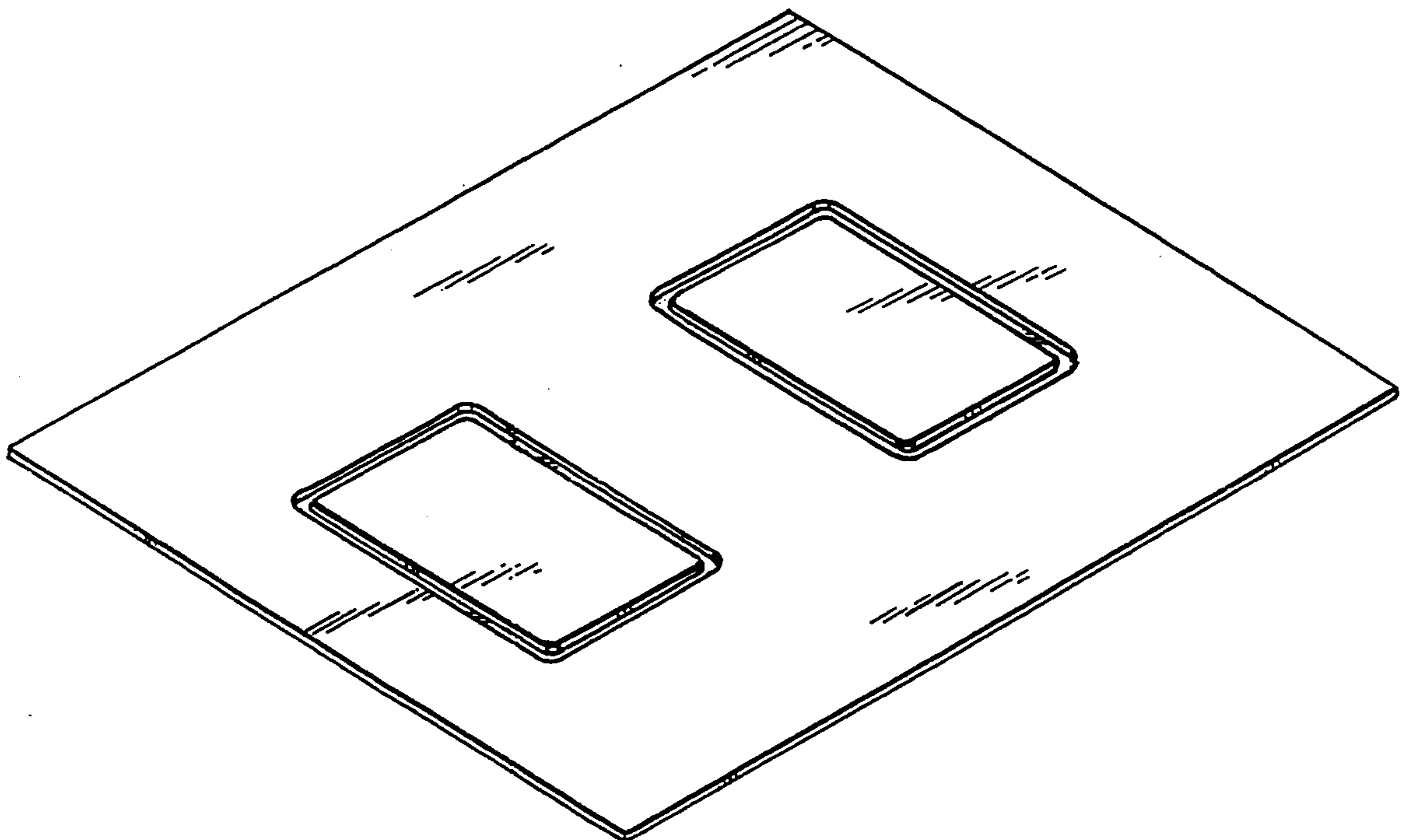


FIG. 1.

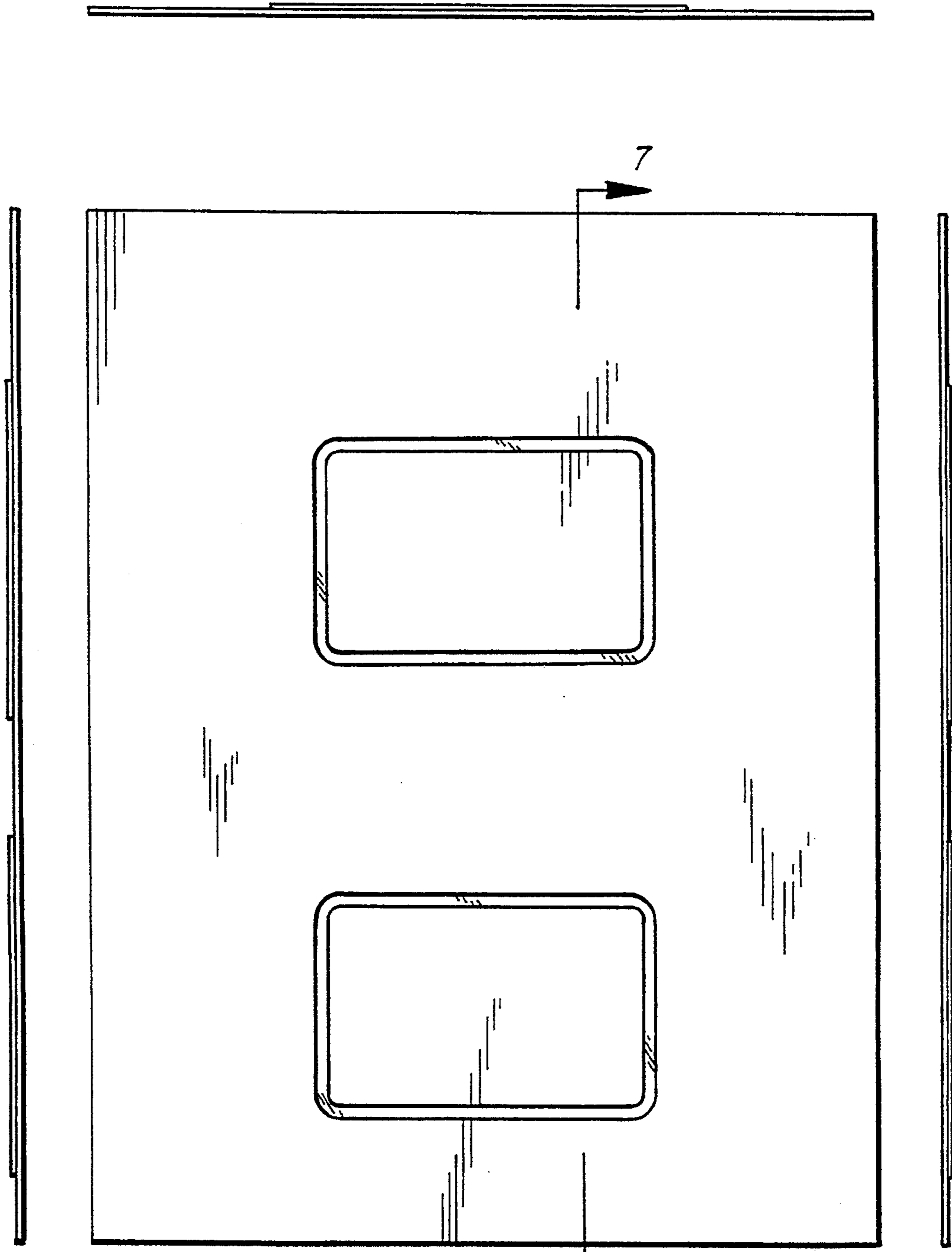


FIG. 3.

FIG. 2.

FIG. 4.

FIG. 6.

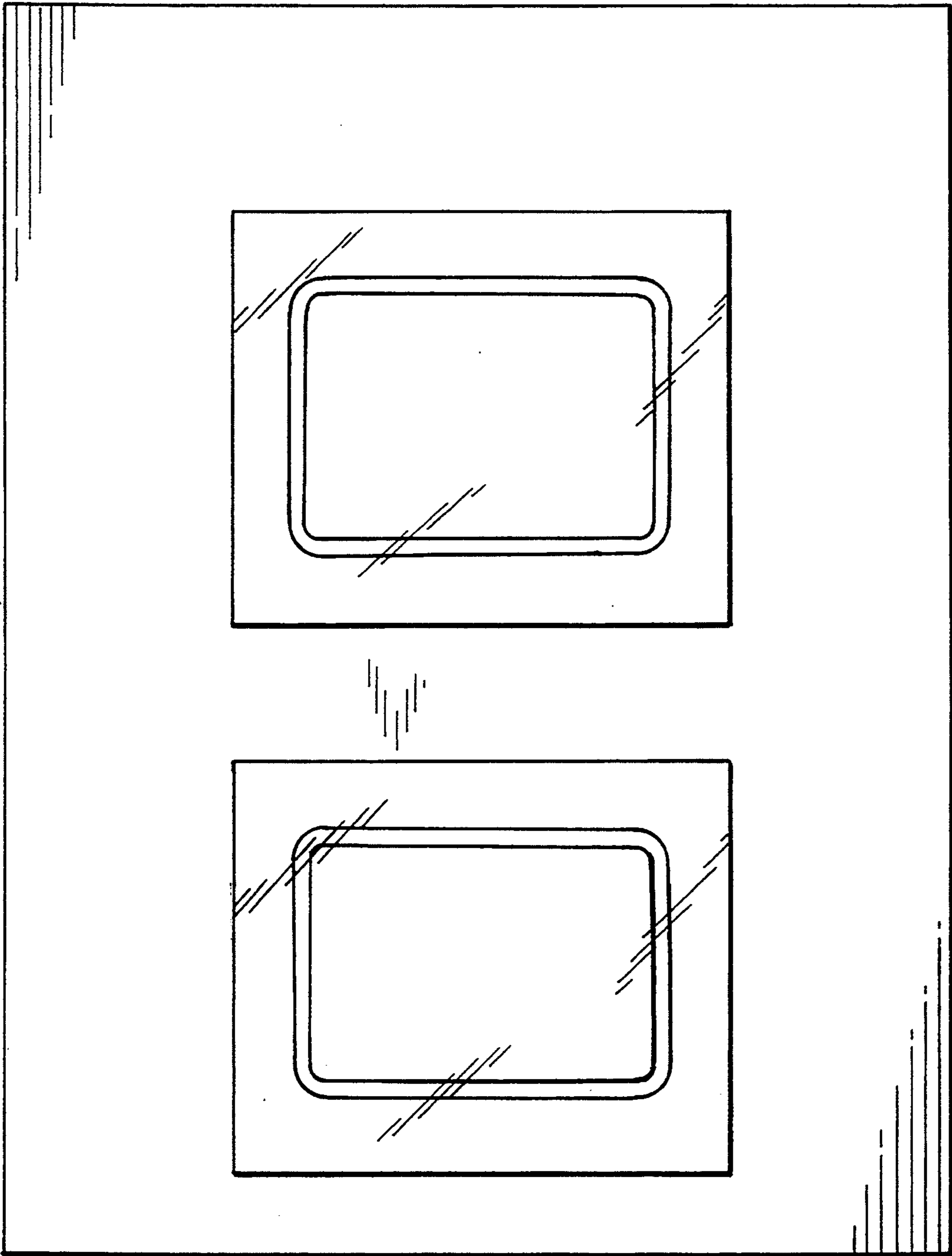


FIG. 5.



FIG. 7.

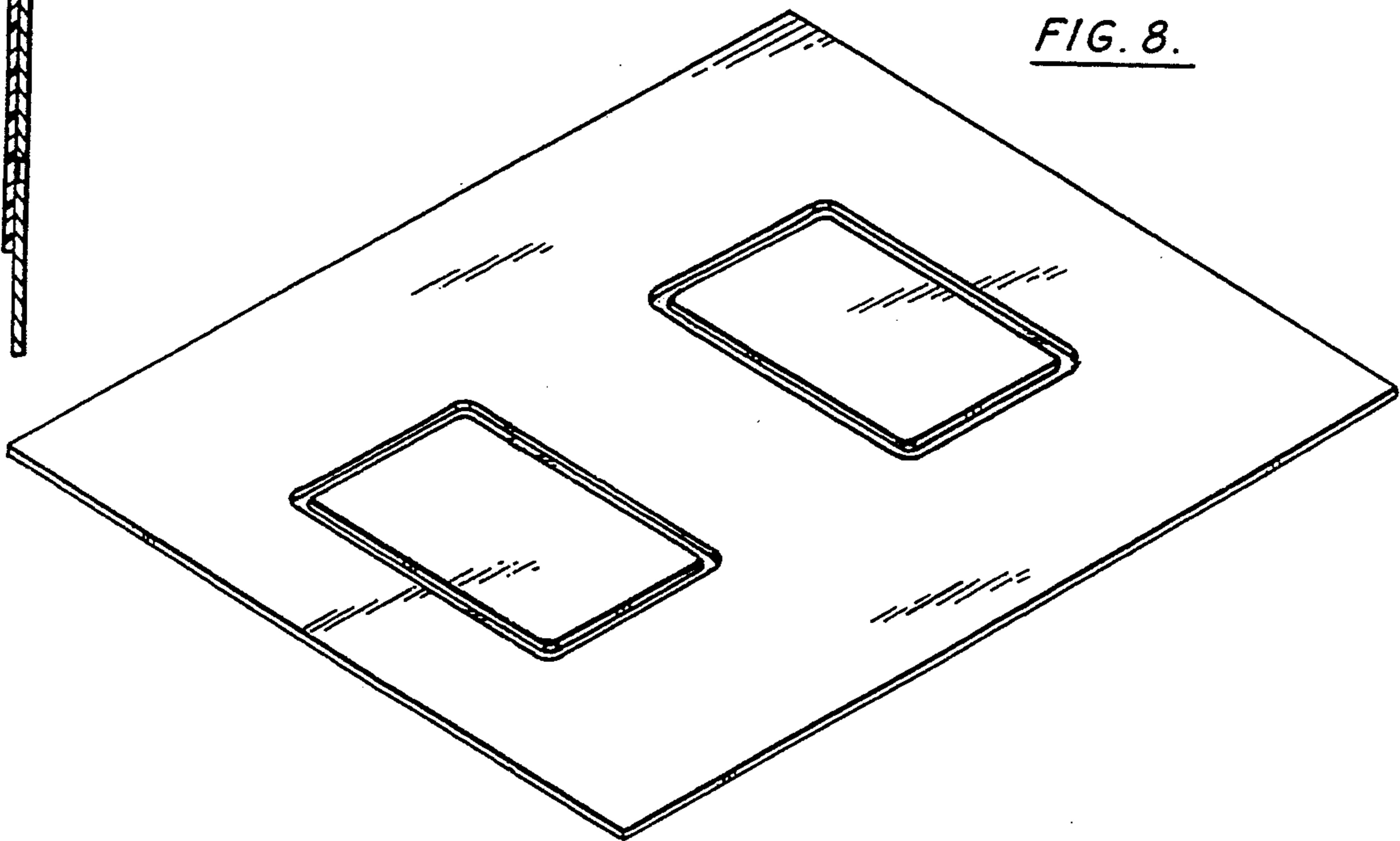


FIG. 8.

FIG. 9.

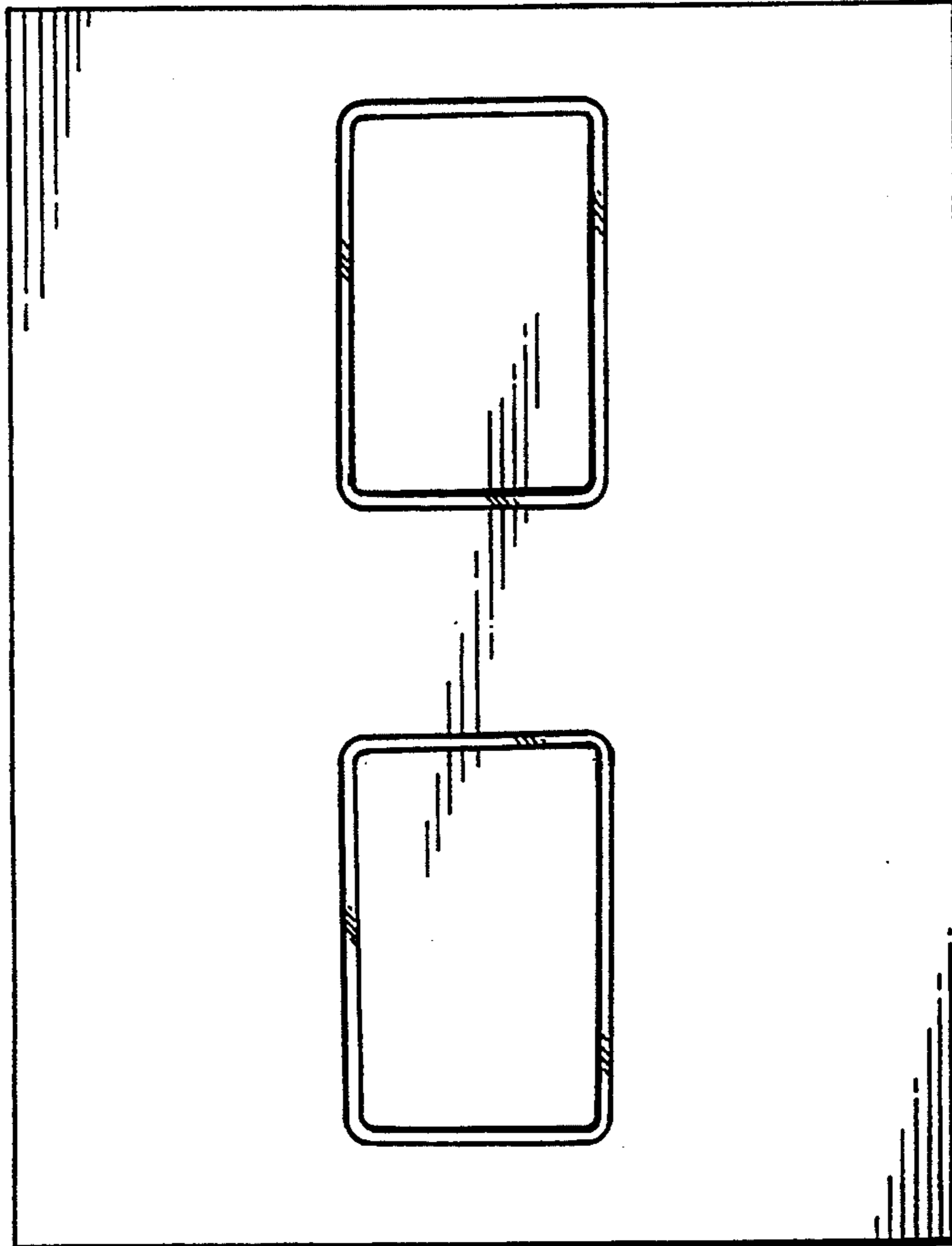


FIG. 10.

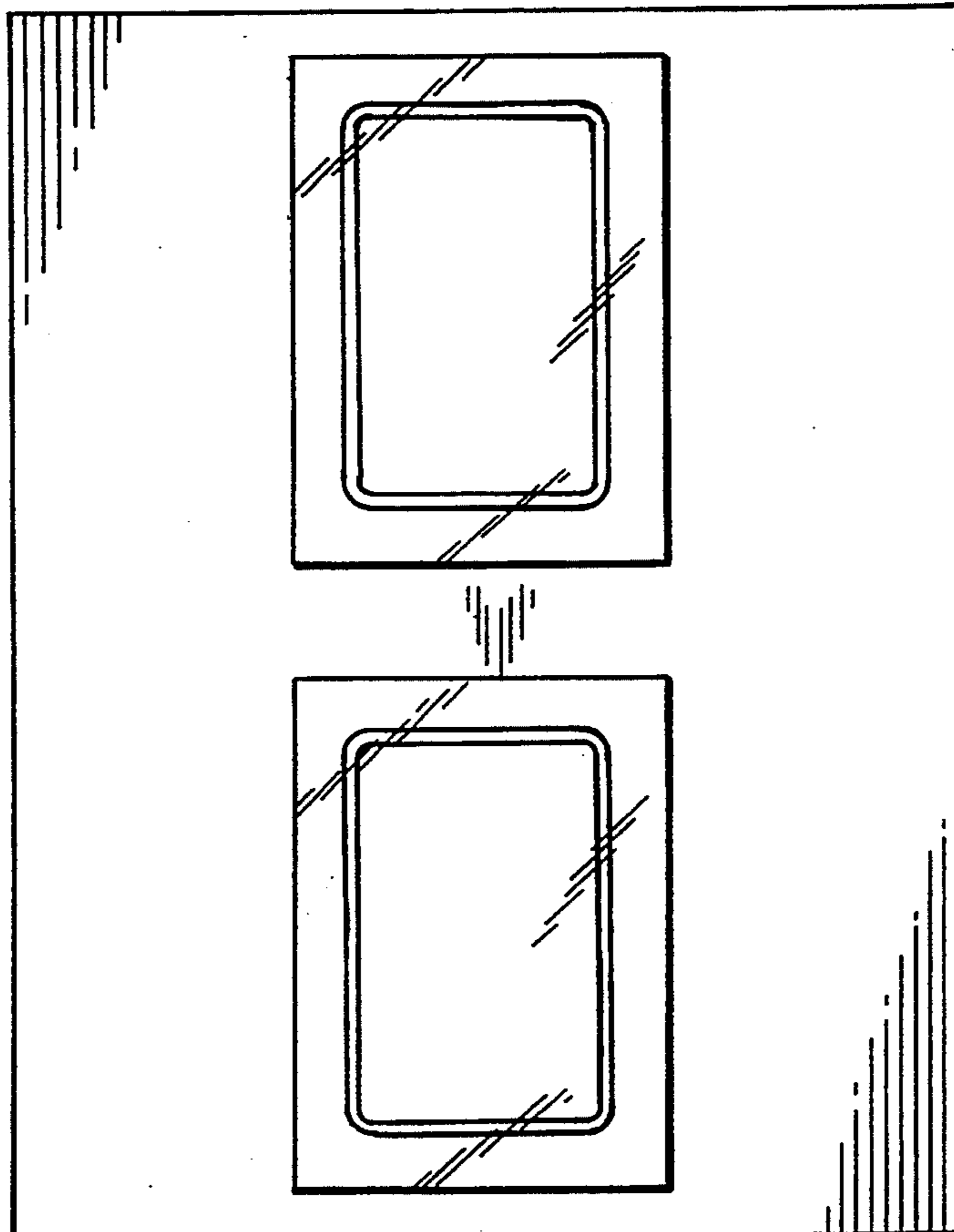


FIG. 11.

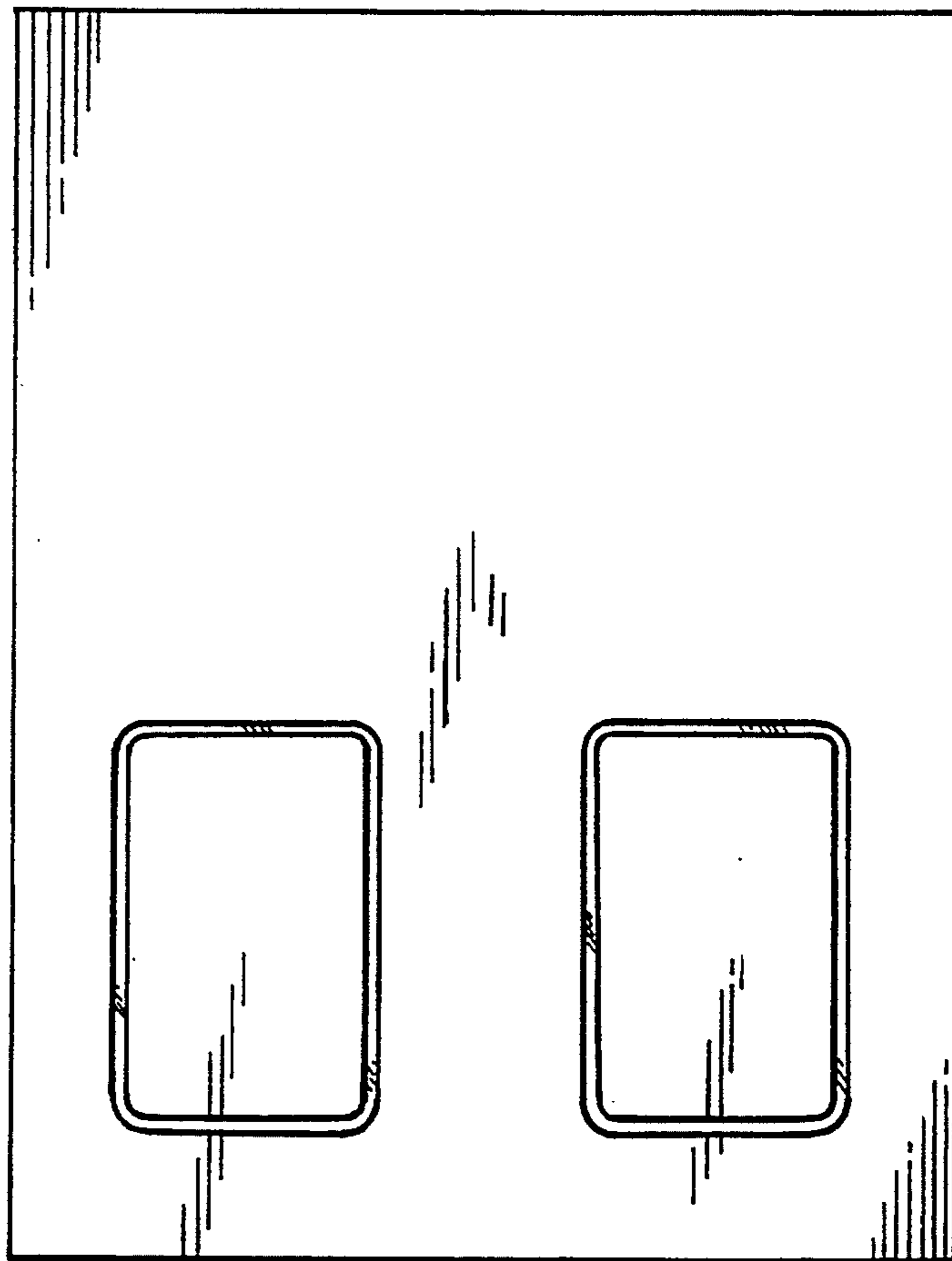


FIG. 12.

