



US00D352309S

United States Patent [19]

[11] Patent Number: **Des. 352,309**

Gresham et al.

[45] Date of Patent: **** Nov. 8, 1994**

[54] LOOSELEAF BINDER

4,682,792 6/1987 Simmons .

[75] Inventors: **David M. Gresham; John W. Davison,**
both of Columbus, Ohio; **Robert D. Soto,** Chicago, Ill.

4,795,194 1/1989 Etheredge 281/31

5,015,011 5/1991 York 281/314

[73] Assignee: **Morningstar, Inc.,** Chicago, Ill.

Primary Examiner—Wallace R. Burke

Assistant Examiner—Pamela Burgess

Attorney, Agent, or Firm—Laff, Whitesel, Conte & Saret

[**] Term: **14 Years**

[57] **CLAIM**

[21] Appl. No.: **8,695**

The ornamental design for a looseleaf binder, as shown and described.

[22] Filed: **May 24, 1993**

[52] U.S. Cl. **D19/27; 281/31;**
402/73

DESCRIPTION

[58] **Field of Search** 434/339, 317; 281/45,
281/31, 33, 29, 35, 15.1, 21.1; 402/73, 75, 46,
19, 76; D19/26, 27, 28

FIG. 1 is a perspective view of the looseleaf binder, showing our new design, the broken line being for illustrative purposes only and forming no part of the claimed design;

FIG. 2 is a top plan view thereof, the bottom plan view being identical thereto, and the broken line being for illustrative purposes only and forming no part of the claimed design;

[56] **References Cited**

U.S. PATENT DOCUMENTS

D. 319,660	9/1991	Moor	D19/27
642,244	1/1900	Morehouse	.	
3,752,503	8/1973	Holes et al.	.	
3,909,141	9/1975	Staats	.	
4,113,394	9/1978	Giulie	.	
4,307,972	12/1981	Errichiello	.	
4,315,642	2/1982	Errichiello	402/734

FIG. 3 is a left side elevational view thereof;

FIG. 4 is a right side elevational view thereof;

FIG. 5 is a back elevational view thereof, the front elevational view being identical thereto; and,

FIG. 6 is a perspective view of the inside of the loose-leaf binder.

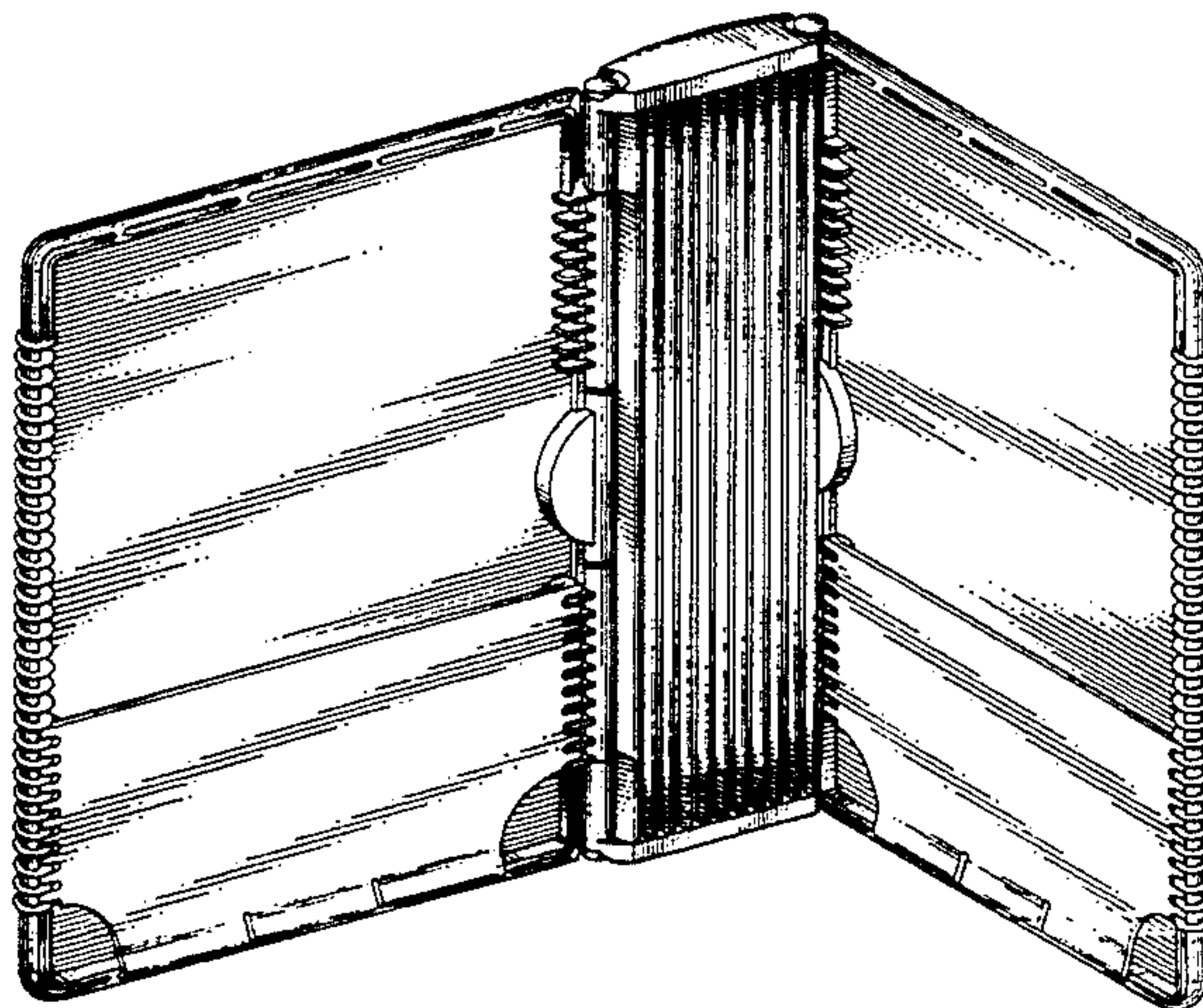
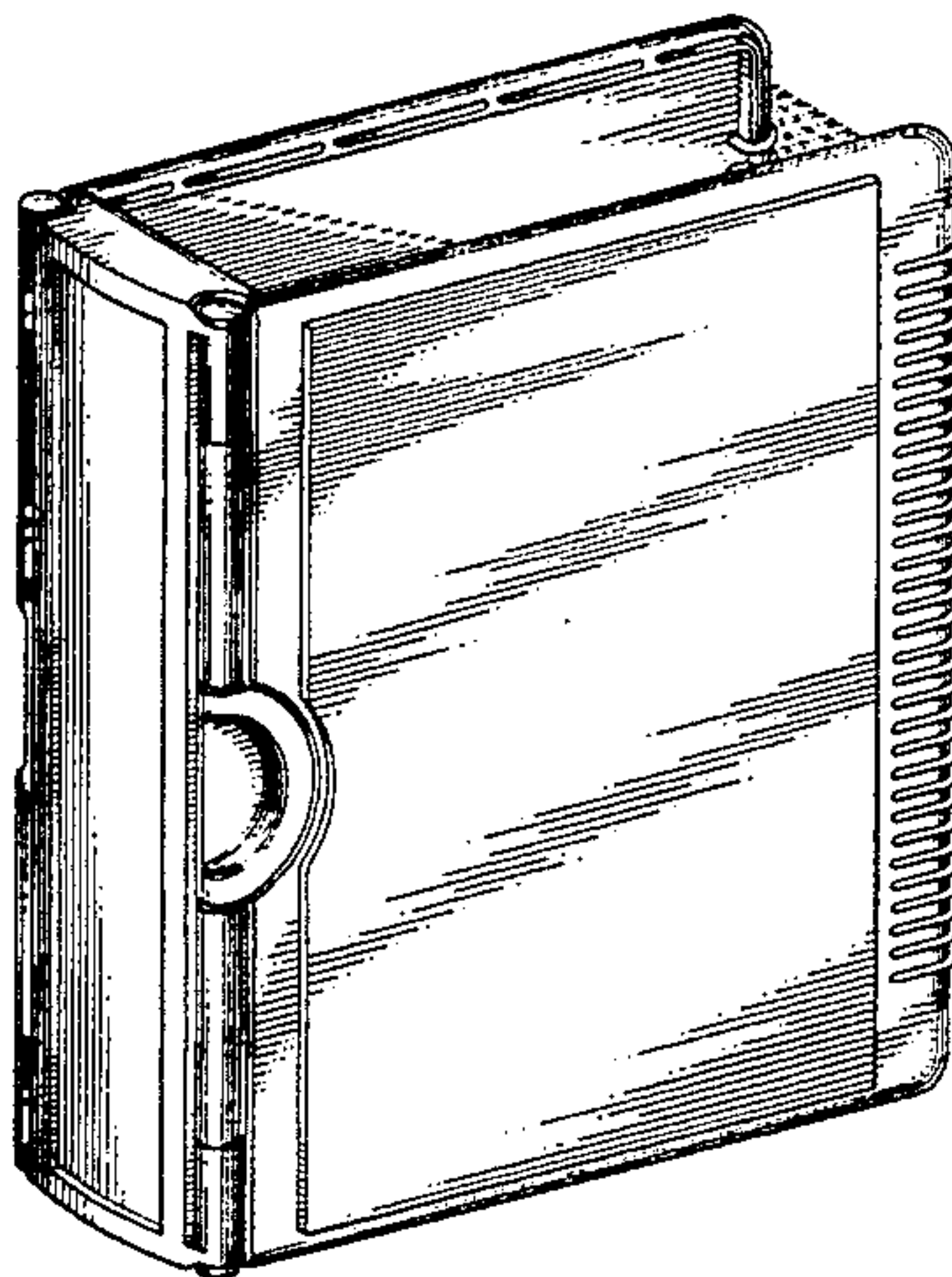


Fig. 1

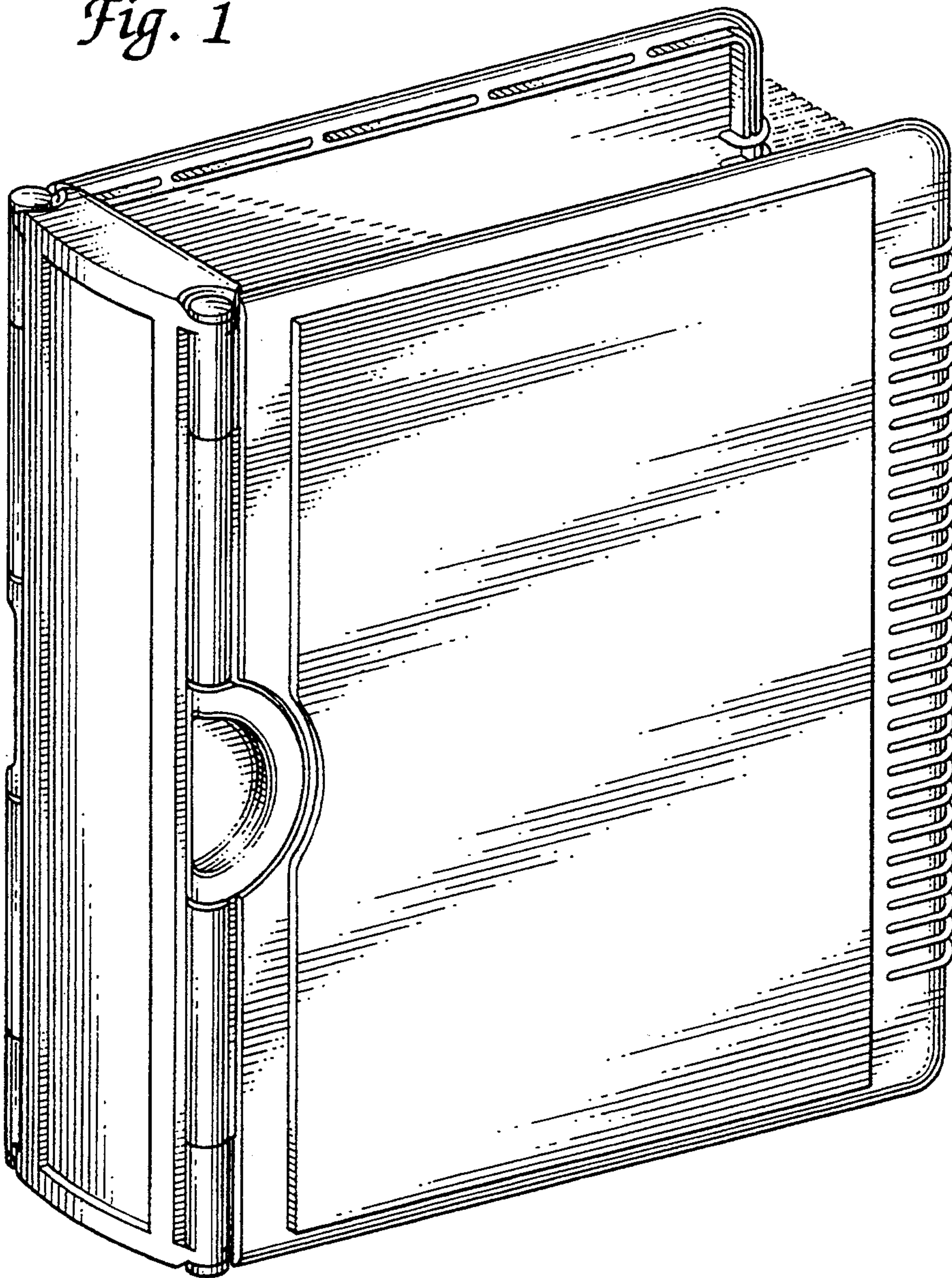


Fig. 2

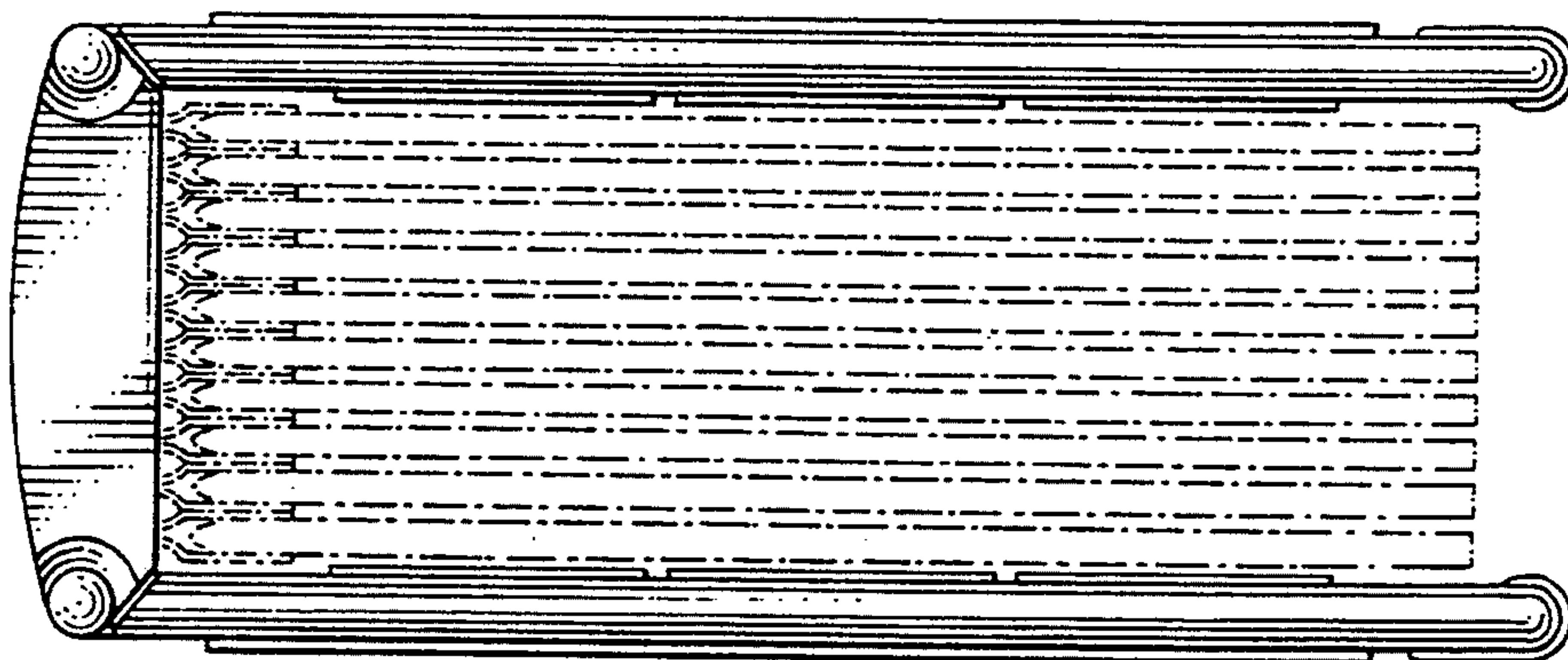


Fig. 5

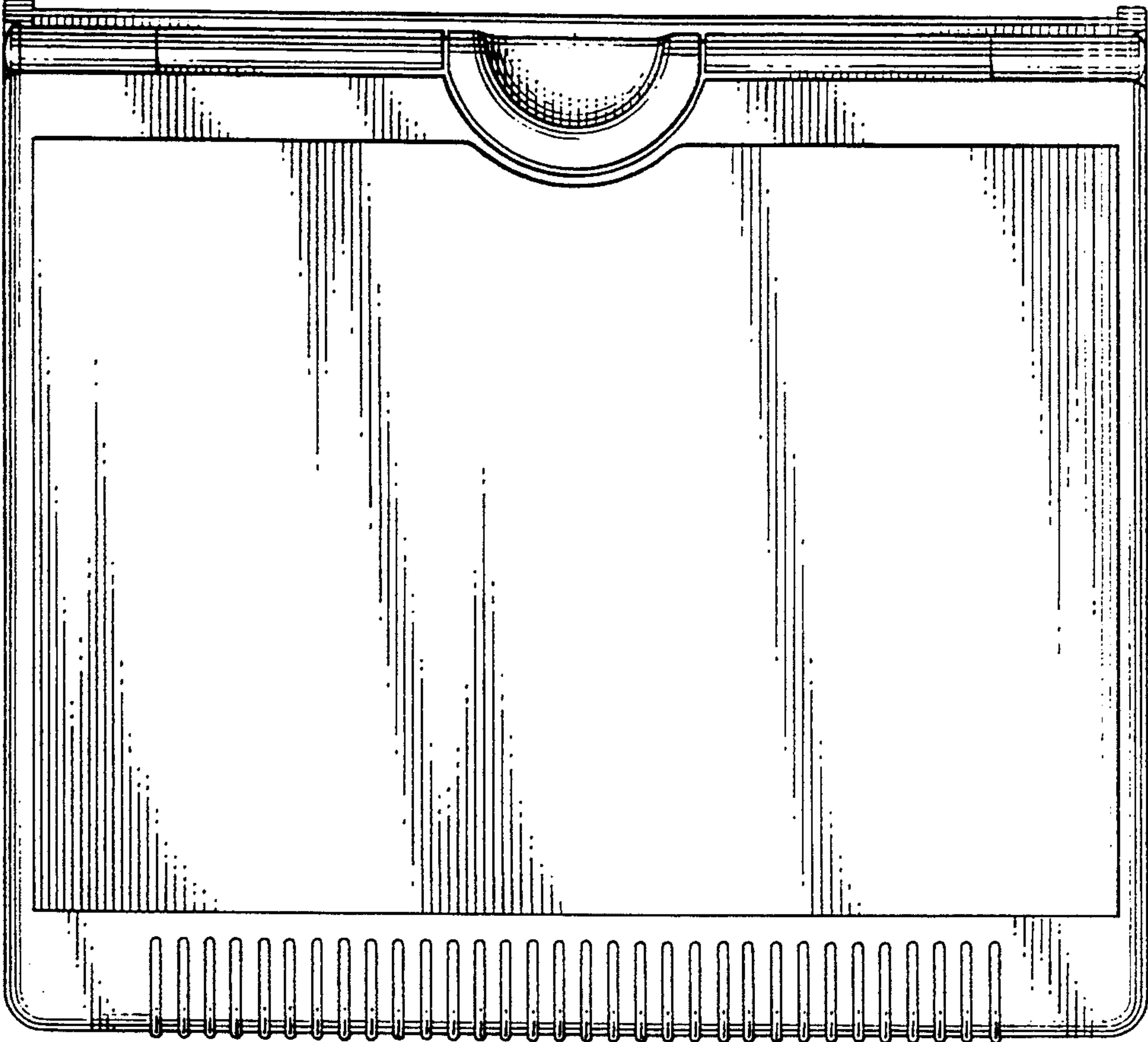


Fig. 4

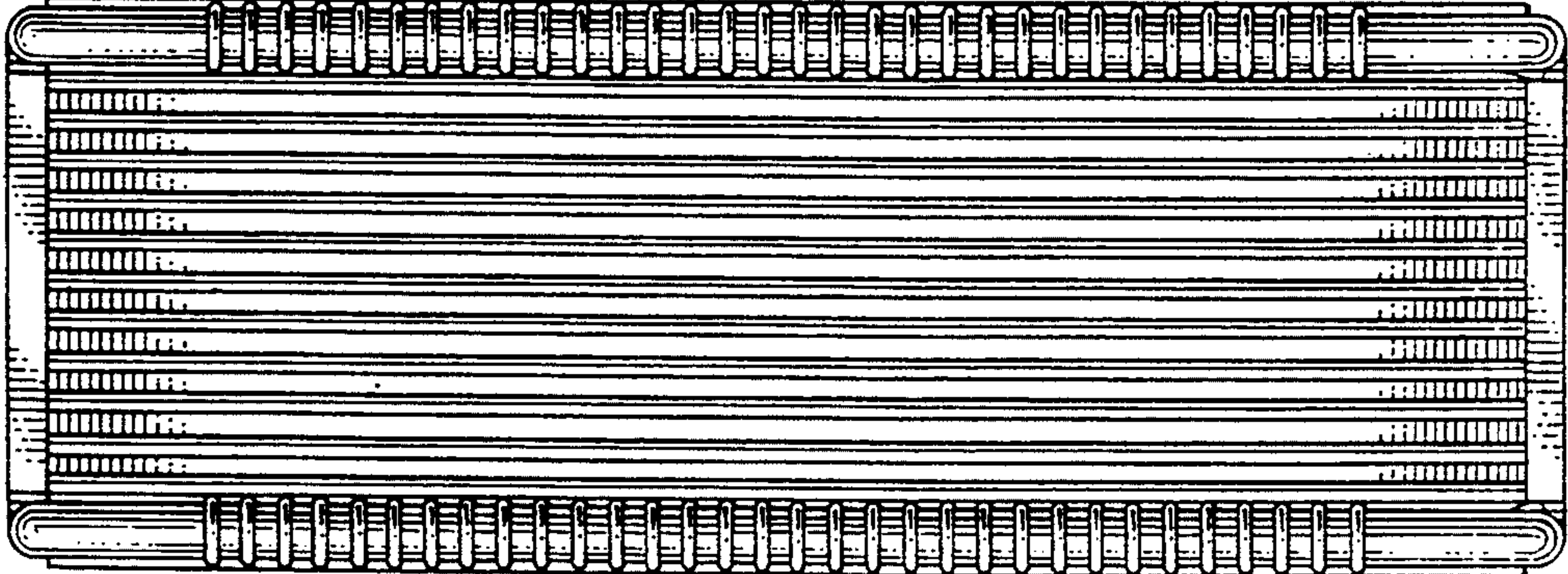
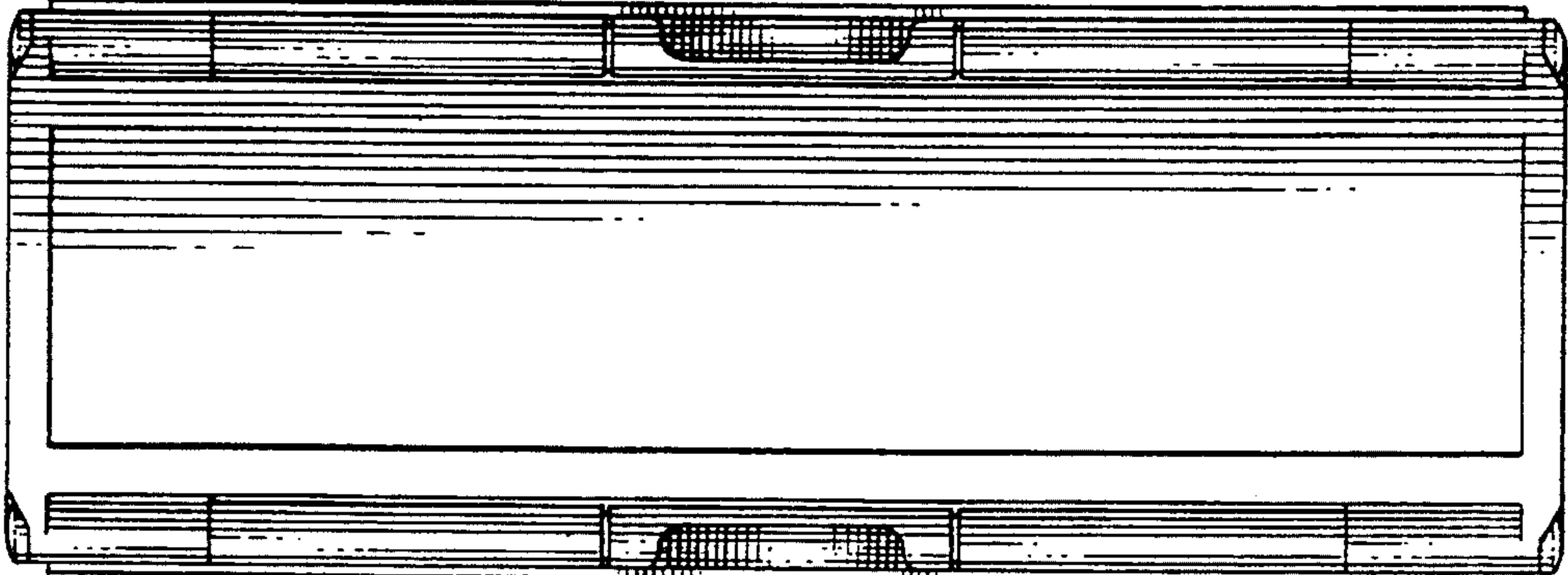


Fig. 3



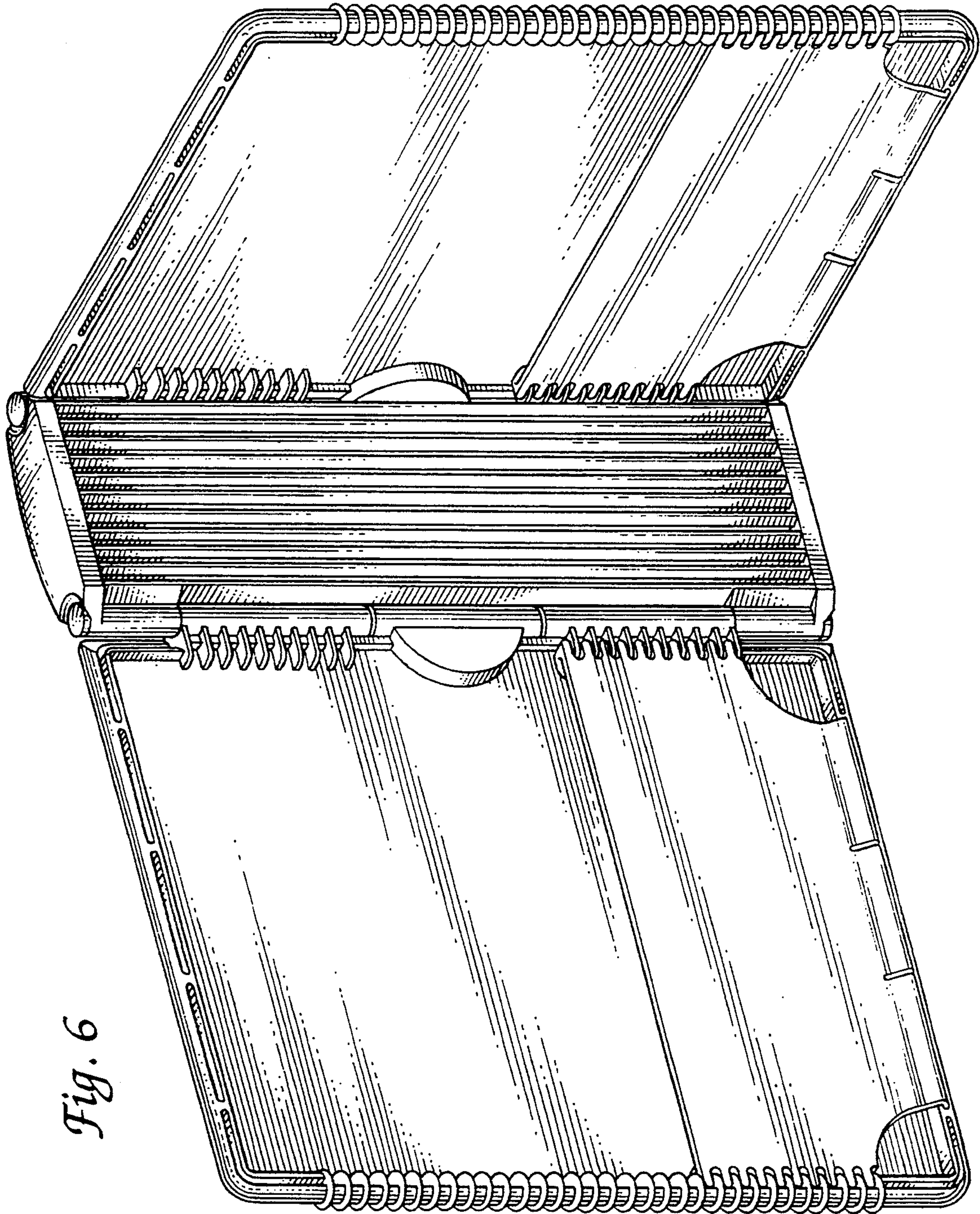


Fig. 6