



US00D352306S

United States Patent [19] Nojima

[11] Patent Number: **Des. 352,306**
[45] Date of Patent: **** Nov. 8, 1994**

[54] **INK RIBBON CASSETTE FOR PRINTER**

[75] Inventor: **Masamitsu Nojima, Sayama, Japan**

[73] Assignee: **Citizen Watch Co., Ltd., Tokyo, Japan**

[**] Term: **14 Years**

[21] Appl. No.: **869,037**

[22] Filed: **Apr. 16, 1992**

[52] U.S. Cl. **D18/12**

[58] Field of Search 400/194, 195, 196, 196.1,
400/207, 208, 237, 247; D14/121; D18/12, 22,
40, 56, 99

[56] **References Cited**

U.S. PATENT DOCUMENTS

4,293,234	10/1981	Yonkers et al.	400/196.1
4,650,355	3/1987	Cassiano et al.	400/208 X
4,732,499	3/1988	Nojima et al.	400/196.1
5,051,010	9/1991	Stephens et al.	400/194
5,209,586	5/1993	Furrow	400/196.1

OTHER PUBLICATIONS

Japanese Design Gazette, H5-92, p. 143, citing: Japanese Design Reg. No. 612,726, issued Nov. 24, 1983.

Japanese Design Gazette, H5-92, p. 35, citing: Japanese Design Reg. No. 692,997, issued Nov. 26, 1986.

Japanese Design Gazette, H5-92, p. 163, citing: Japanese Design Reg. No. 692,997-Similar Design No. 1, issued Jan. 10, 1987.

Primary Examiner—Alan P. Douglas

Assistant Examiner—Robert M. Spear

Attorney, Agent, or Firm—Cushman, Darby & Cushman

[57] **CLAIM**

The ornamental design for an ink ribbon cassette for printer, as shown.

DESCRIPTION

FIG. 1 is a top and rear perspective view of an ink ribbon cassette for printer showing my new design;

FIG. 2 is a front elevational view thereof;

FIG. 3 is a rear elevational view thereof;

FIG. 4 is a top plan view thereof;

FIG. 5 is a bottom plan view thereof;

FIG. 6 is a right side elevational view thereof;

FIG. 7 is a left side elevational view thereof; and,

FIG. 8 is a bottom and front perspective view thereof.

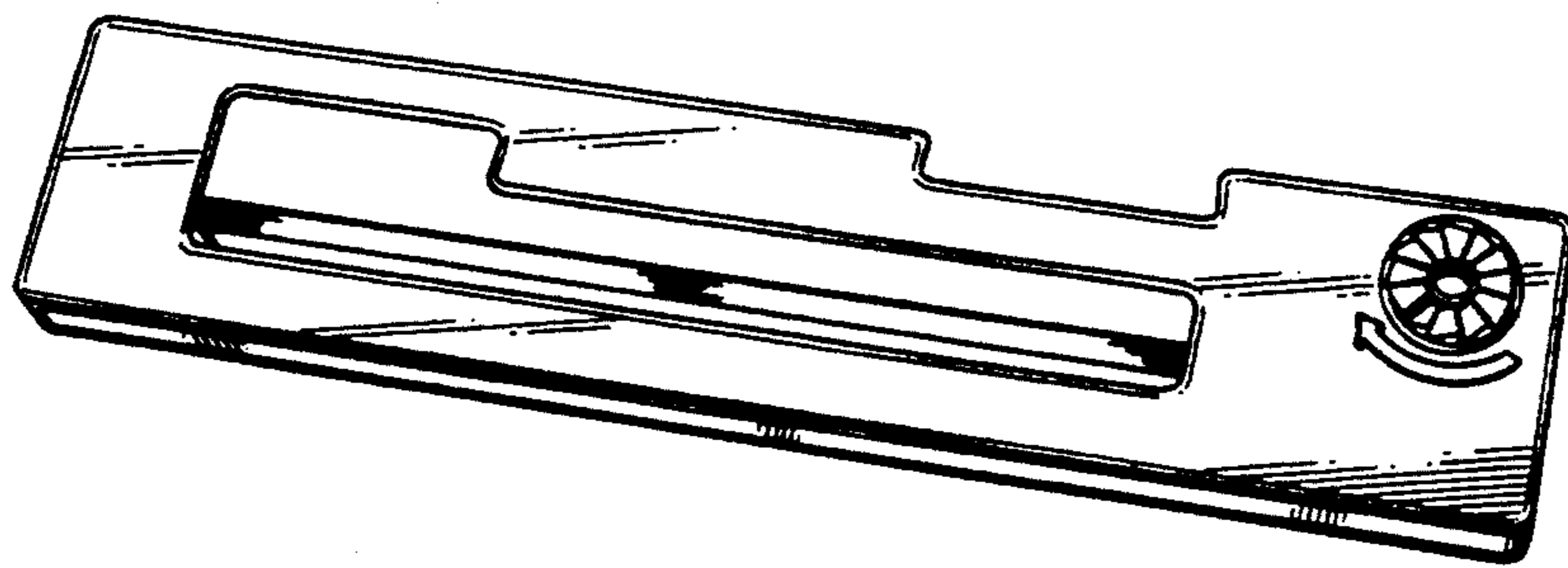


FIG. 1

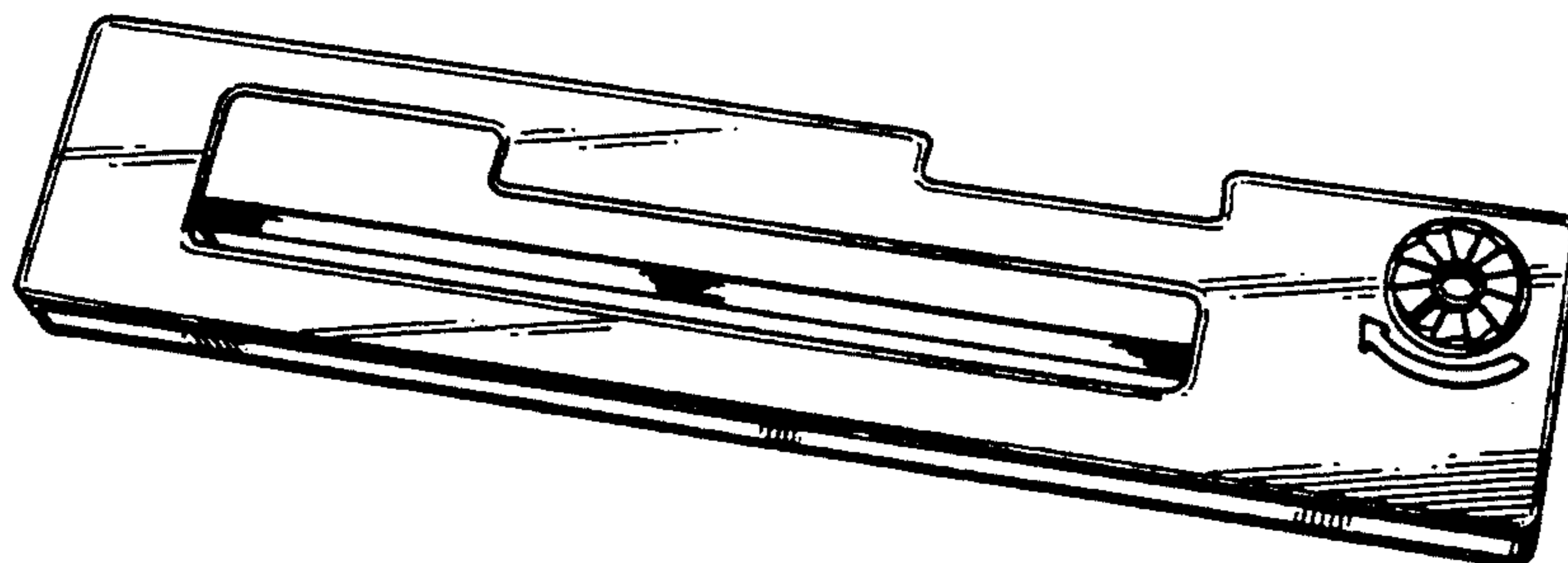


FIG. 2

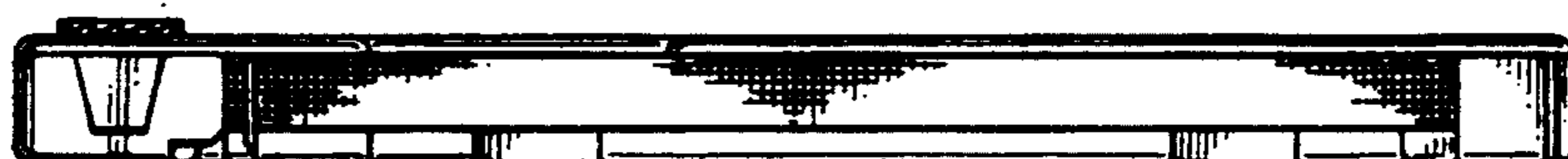


FIG. 3



FIG. 4

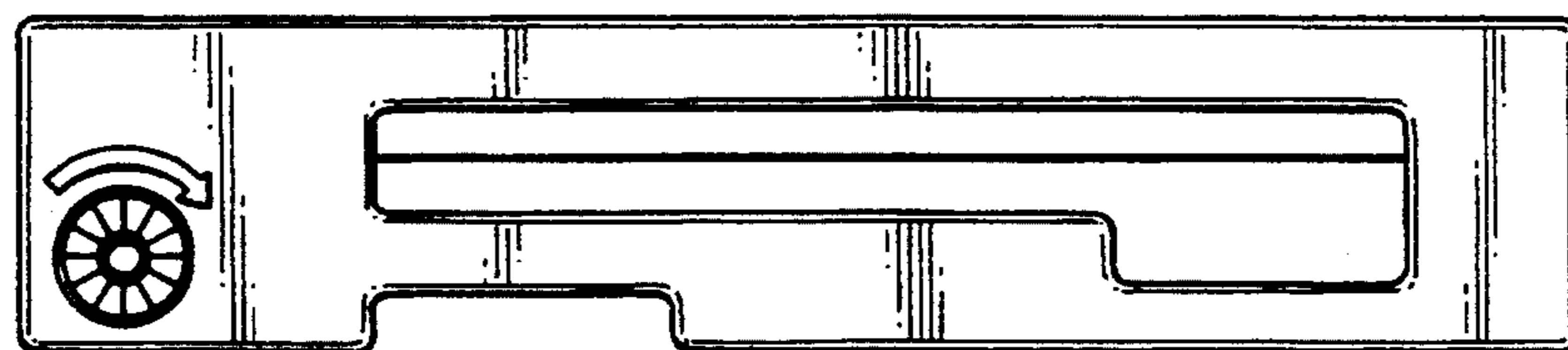


FIG.5

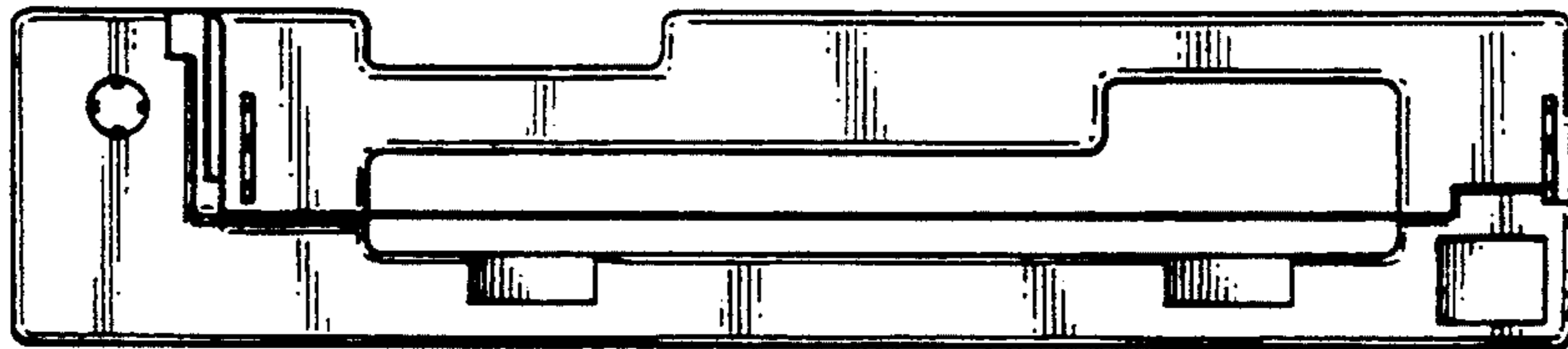


FIG.6



FIG.7



FIG.8

