



US00D352303S

United States Patent [19]

[11] Patent Number: **Des. 352,303**

Lamphron

[45] Date of Patent: **** Nov. 8, 1994**

[54] **SINGLE-USE CAMERA WITH BUILT-IN FLASH**

D. 346,176 4/1994 Nihei D16/209
4,801,957 1/1989 Vandemoere 354/288

[75] Inventor: **Mark A. Lamphron, Rochester, N.Y.**

Primary Examiner—Bernard Ansher
Assistant Examiner—Adir Aronovich
Attorney, Agent, or Firm—Roger A. Fields

[73] Assignee: **Eastman Kodak Company, Rochester, N.Y.**

[57] **CLAIM**

[**] Term: **14 Years**

The ornamental design for a single-use camera with a built-in flash, as shown and described.

[21] Appl. No.: **8,335**

DESCRIPTION

[22] Filed: **May 14, 1993**

[52] U.S. Cl. **D16/209; D16/208; D16/218**

FIG. 1 is a top, front, right-side perspective view of a single-use camera with a built-in flash, showing my new design;

[58] Field of Search **D9/418, 432; 354/64, 354/75, 126, 202, 288, 145.1; D16/200-204, 208, 209, 216-218**

FIG. 2 is a bottom, rear, left-side perspective view thereof;

[56] **References Cited**

U.S. PATENT DOCUMENTS

D. 330,564 10/1992 Kohno et al. D16/208
D. 345,569 3/1994 Yasunaga et al. D16/208
D. 345,987 4/1994 Nihei D16/209

FIG. 3 is a front elevation view thereof;

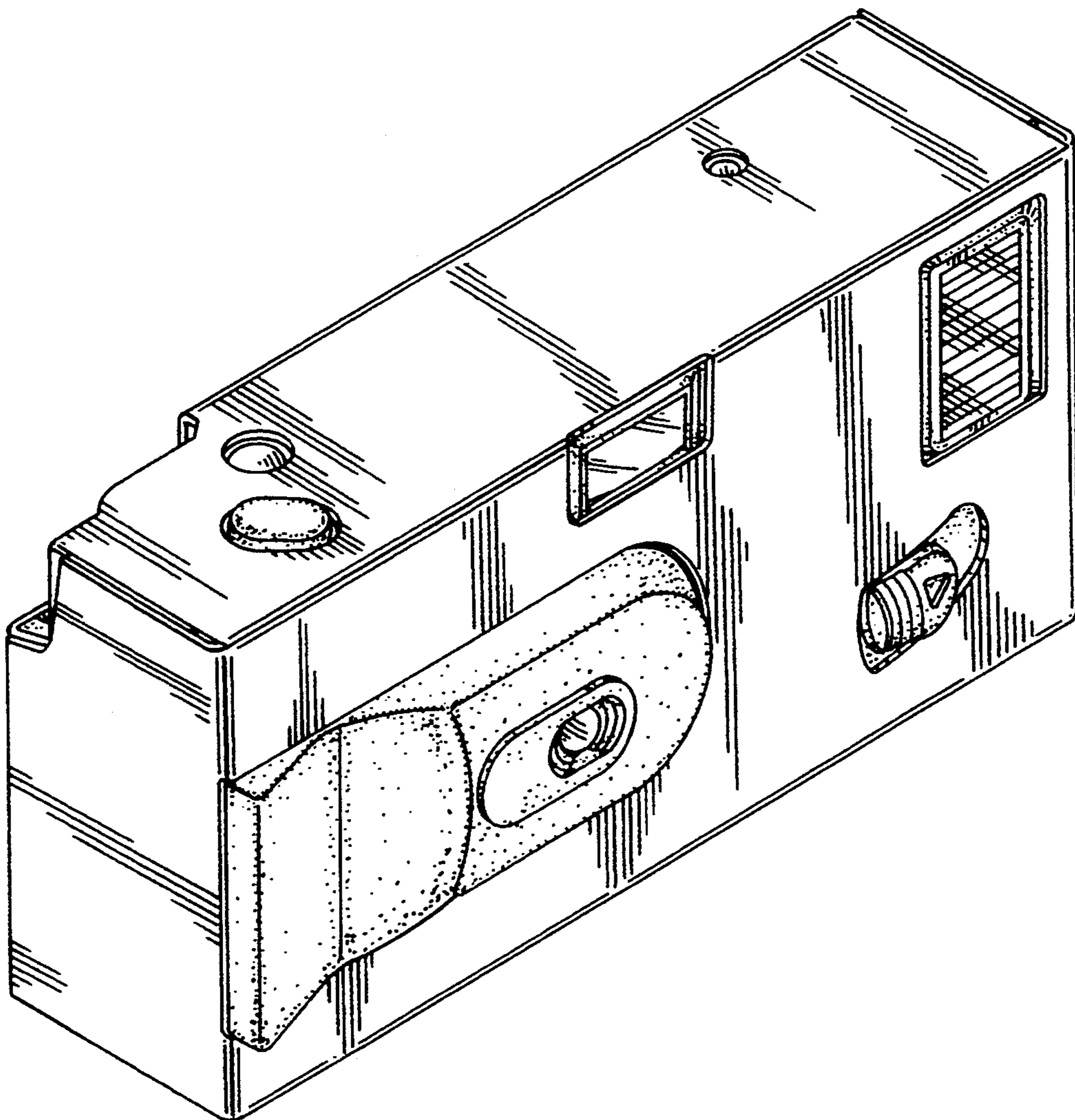
FIG. 4 is a rear elevation view thereof;

FIG. 5 is a top plan view thereof;

FIG. 6 is a bottom plan view thereof;

FIG. 7 is a left-side elevation view thereof; and,

FIG. 8 is a right-side elevation view thereof.



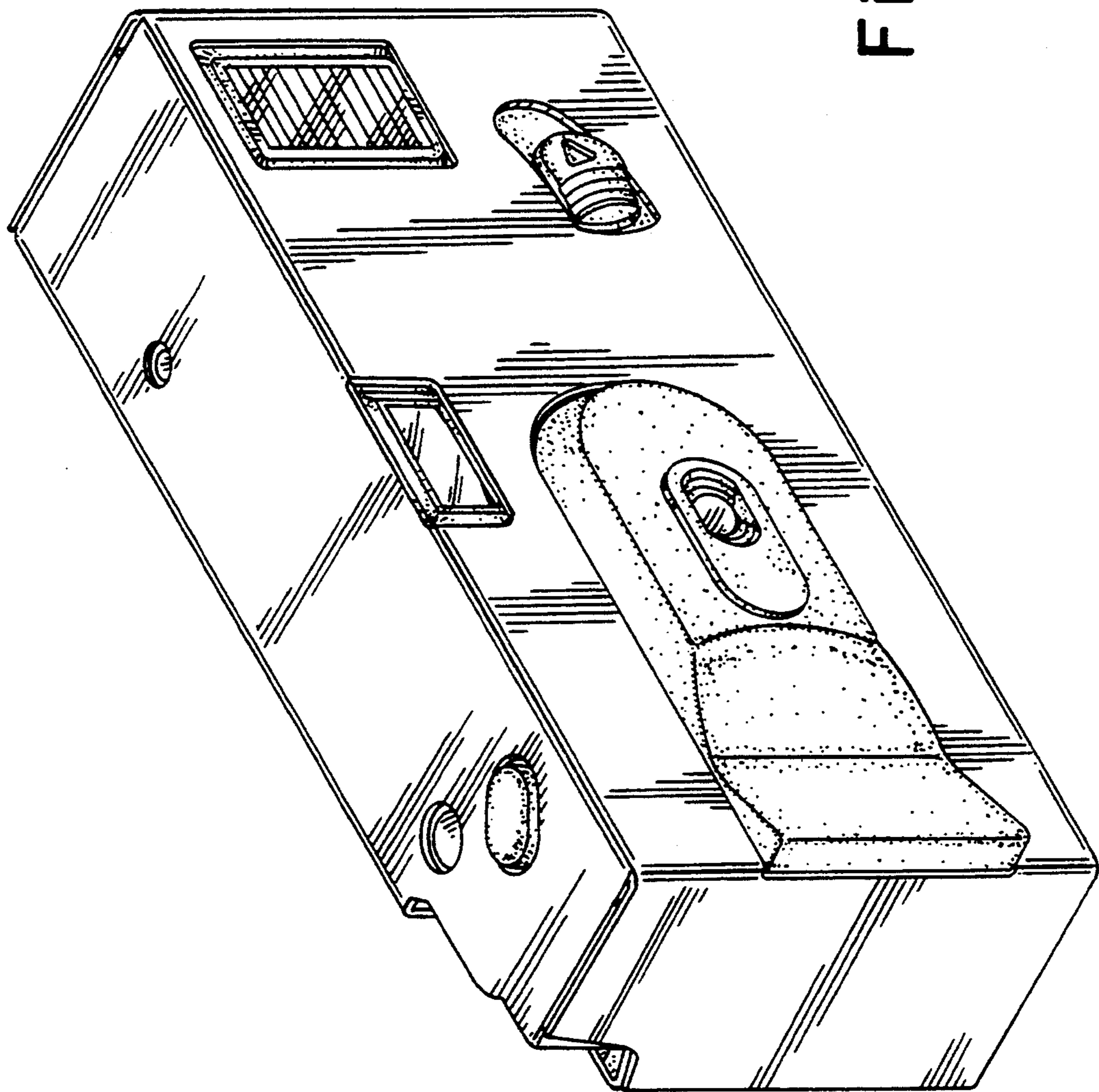


Fig. 1

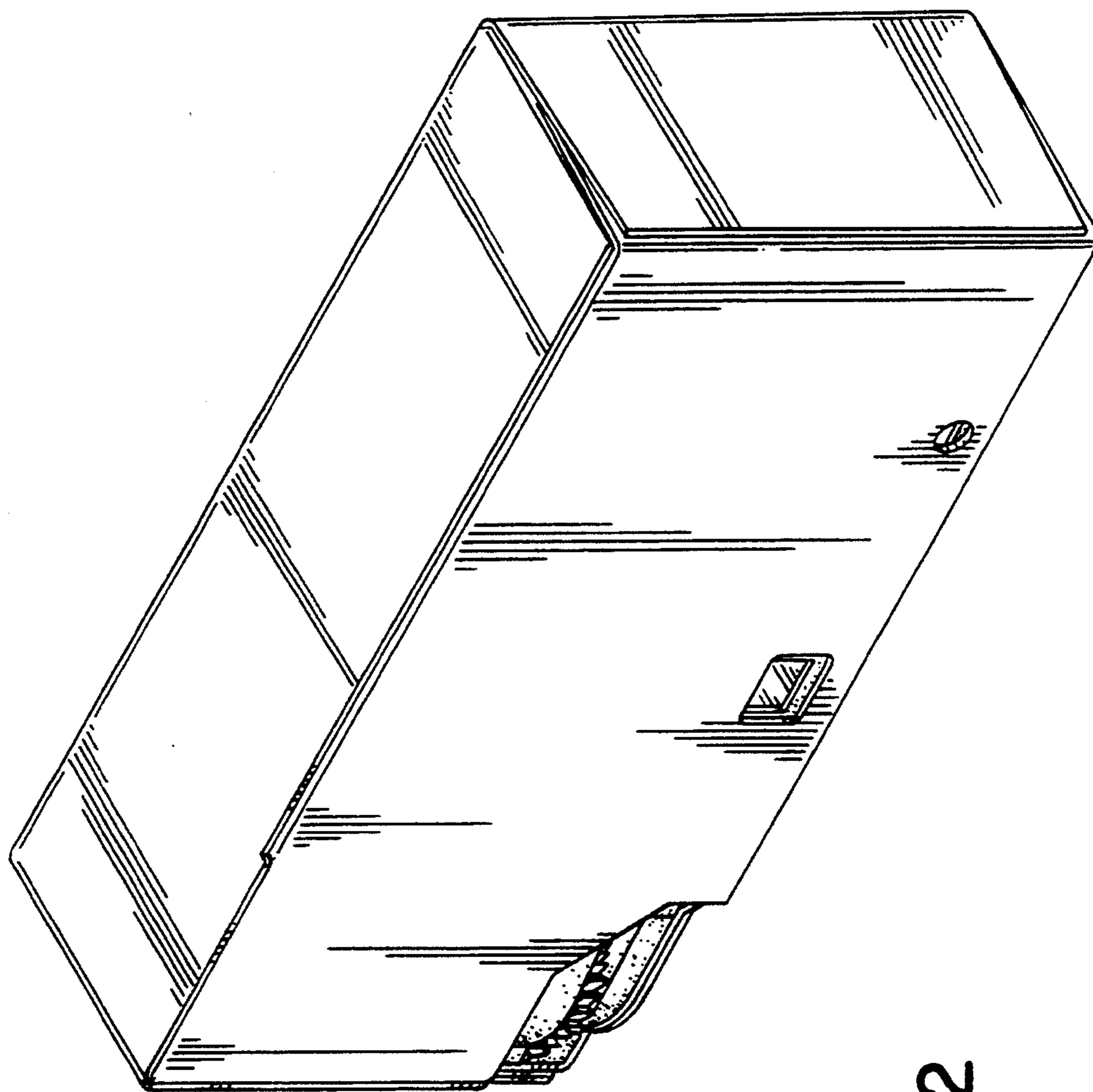


Fig. 2

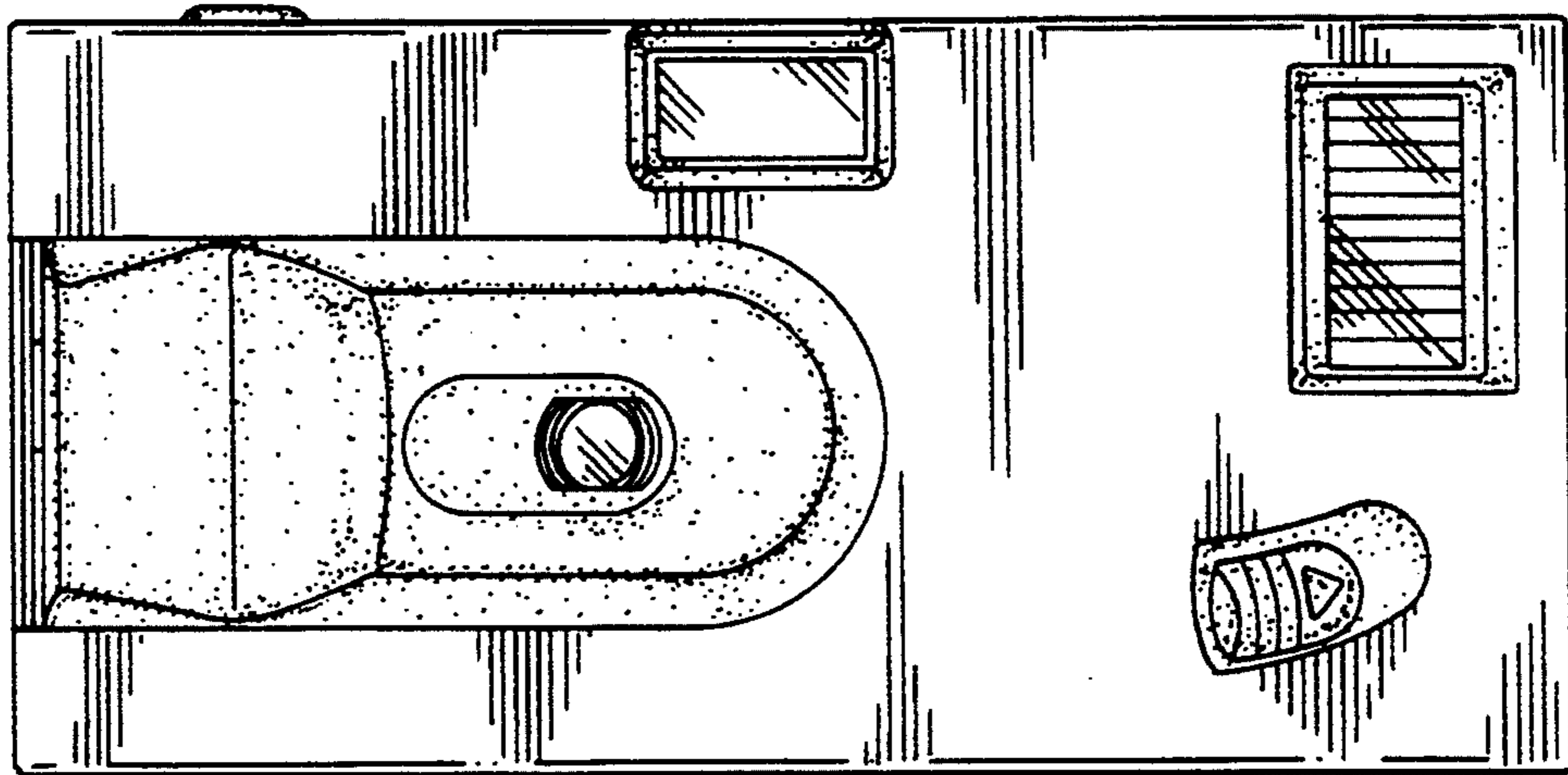


Fig. 3

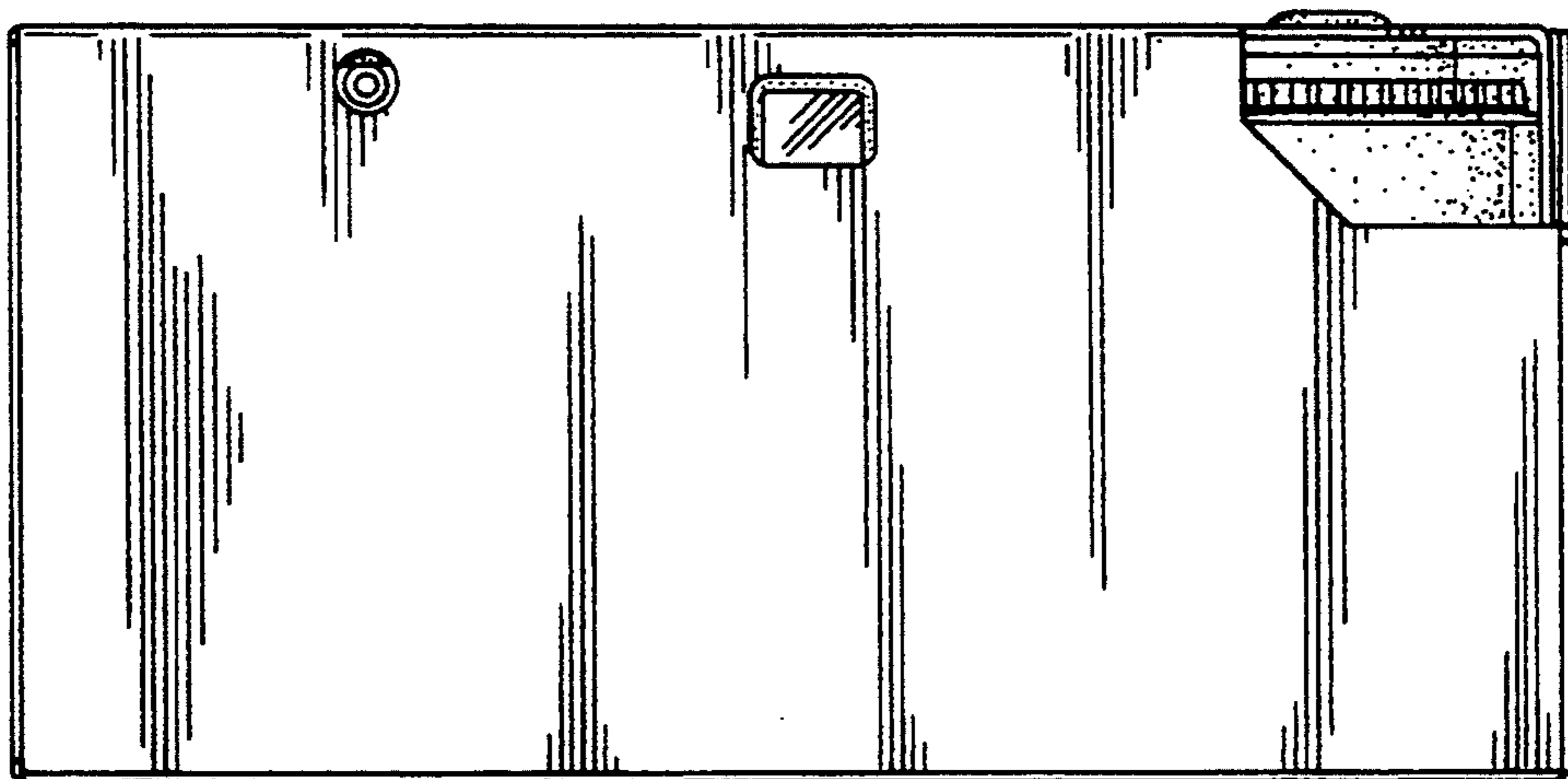


Fig. 4

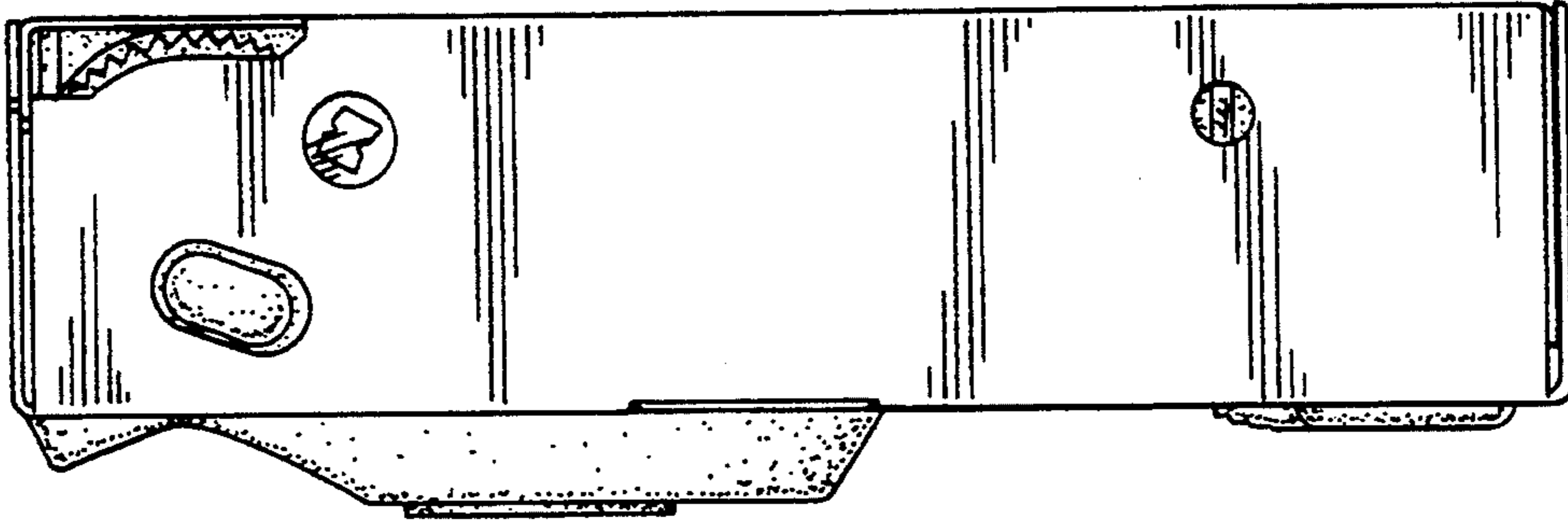


Fig. 5

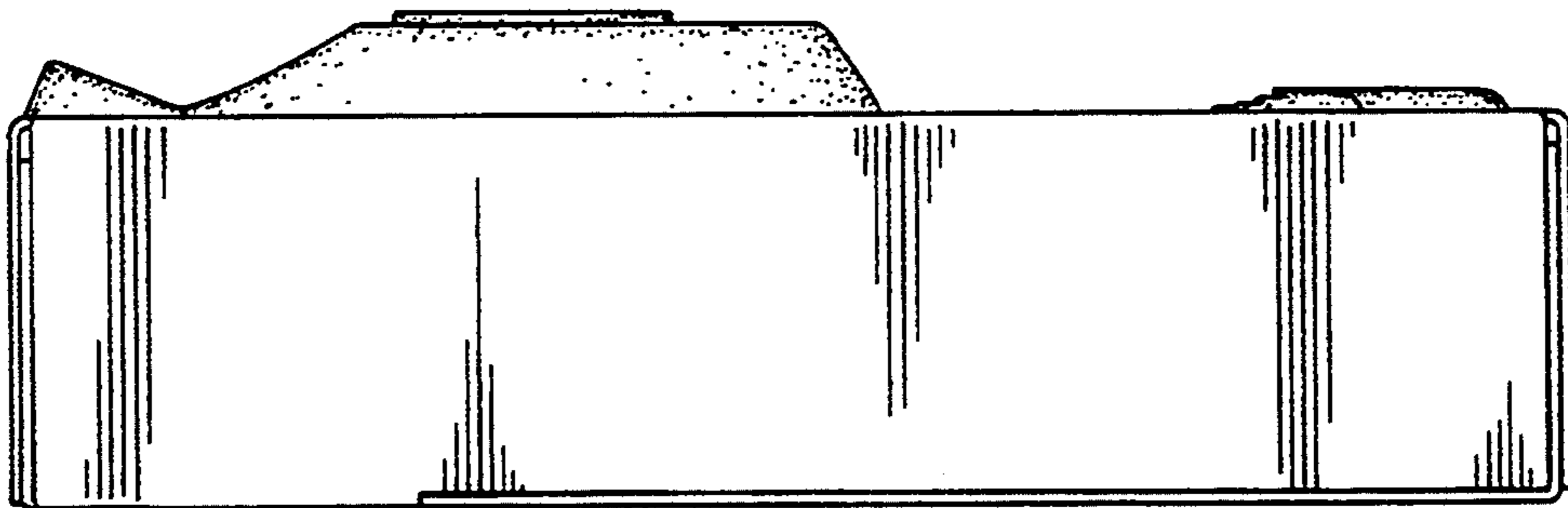


Fig. 6

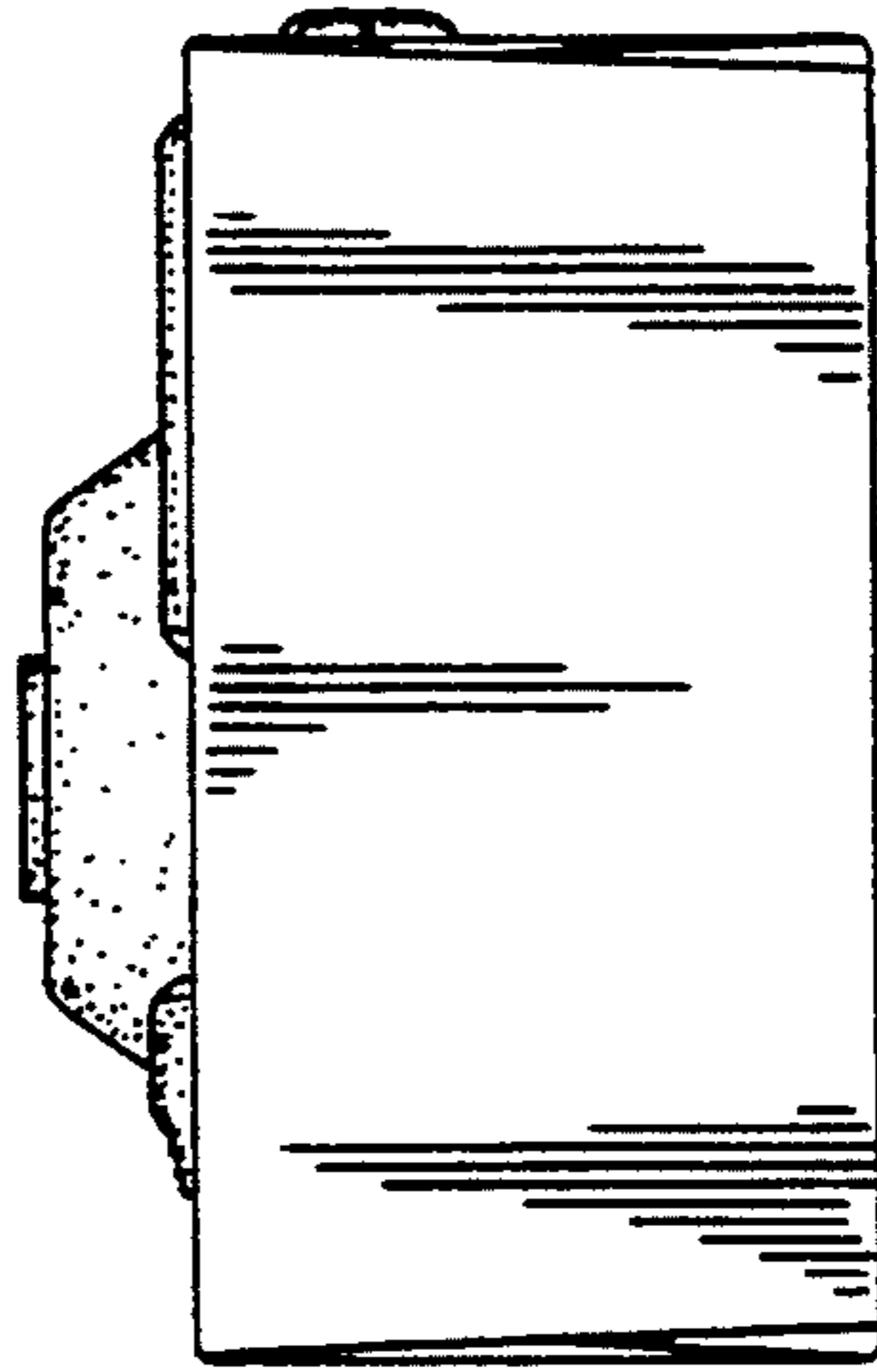


Fig. 7

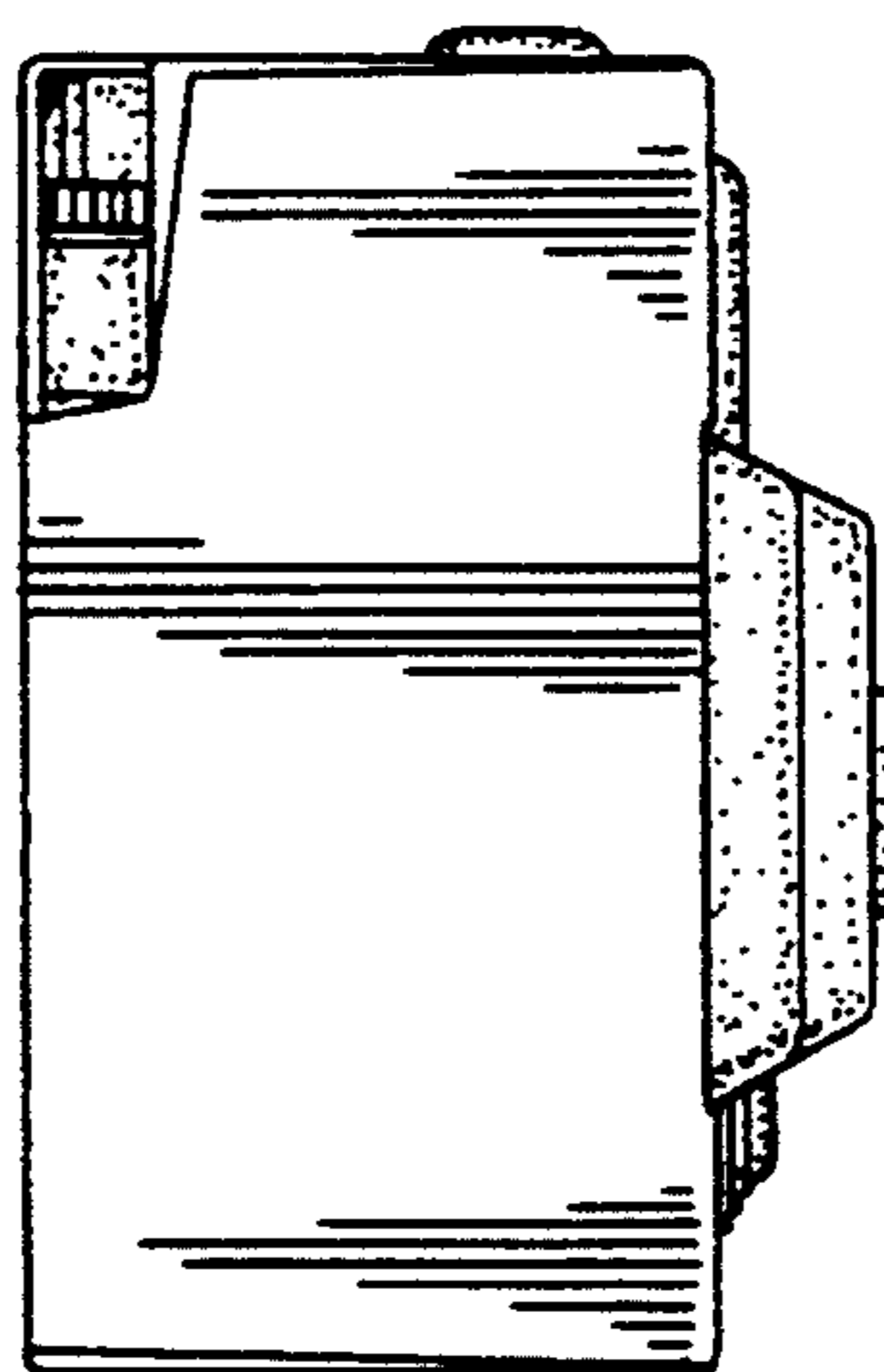


Fig. 8