



US00D352302S

United States Patent [19]

[11] Patent Number: **Des. 352,302**

Lamphron

[45] Date of Patent: **** Nov. 8, 1994**

[54] **SINGLE-USE DAYLIGHT CAMERA**

D. 345,570 3/1994 Yasunaga et al. D16/208
D. 345,987 4/1994 Nihei D16/209

[75] Inventor: **Mark A. Lamphron, Rochester, N.Y.**

Primary Examiner—Bernard Ansher
Assistant Examiner—Adir Aronovich
Attorney, Agent, or Firm—Roger A. Fields

[73] Assignee: **Eastman Kodak Company, Rochester, N.Y.**

[**] Term: **14 Years**

[57] CLAIM

[21] Appl. No.: **8,334**

The ornamental design for a single-use daylight camera, as shown and described.

[22] Filed: **May 14, 1993**

DESCRIPTION

[52] U.S. Cl. **D16/208; D16/218**

[58] Field of Search D9/418, 432; 354/64, 354/75, 202, 126, 288; D16/200-204, 208, 209, 216-218

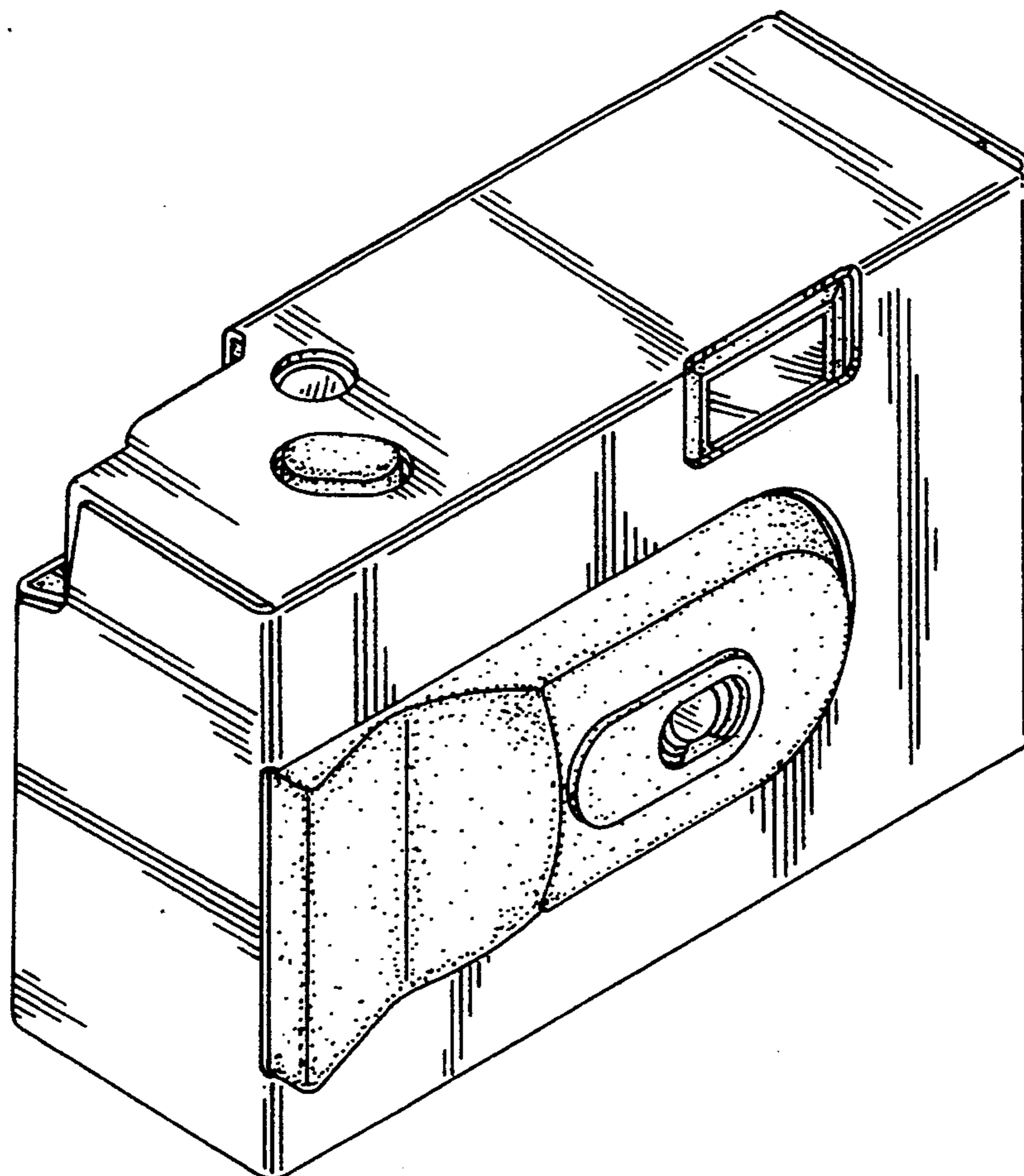
FIG. 1 is a top, front, right-side perspective view of a single-use daylight camera, showing my new design; FIG. 2 is a bottom, rear, left-side perspective view thereof;

[56] References Cited

U.S. PATENT DOCUMENTS

D. 315,916 4/1991 Leonard et al. D16/218
D. 330,563 10/1992 Kohno et al. D16/208
D. 335,297 5/1993 Kawagoe D16/208

FIG. 3 is a front elevation view thereof; FIG. 4 is a rear elevation view thereof; FIG. 5 is a top plan view thereof; FIG. 6 is a bottom plan view thereof; FIG. 7 is a left-side elevation view thereof; and, FIG. 8 is a right-side elevation view thereof.



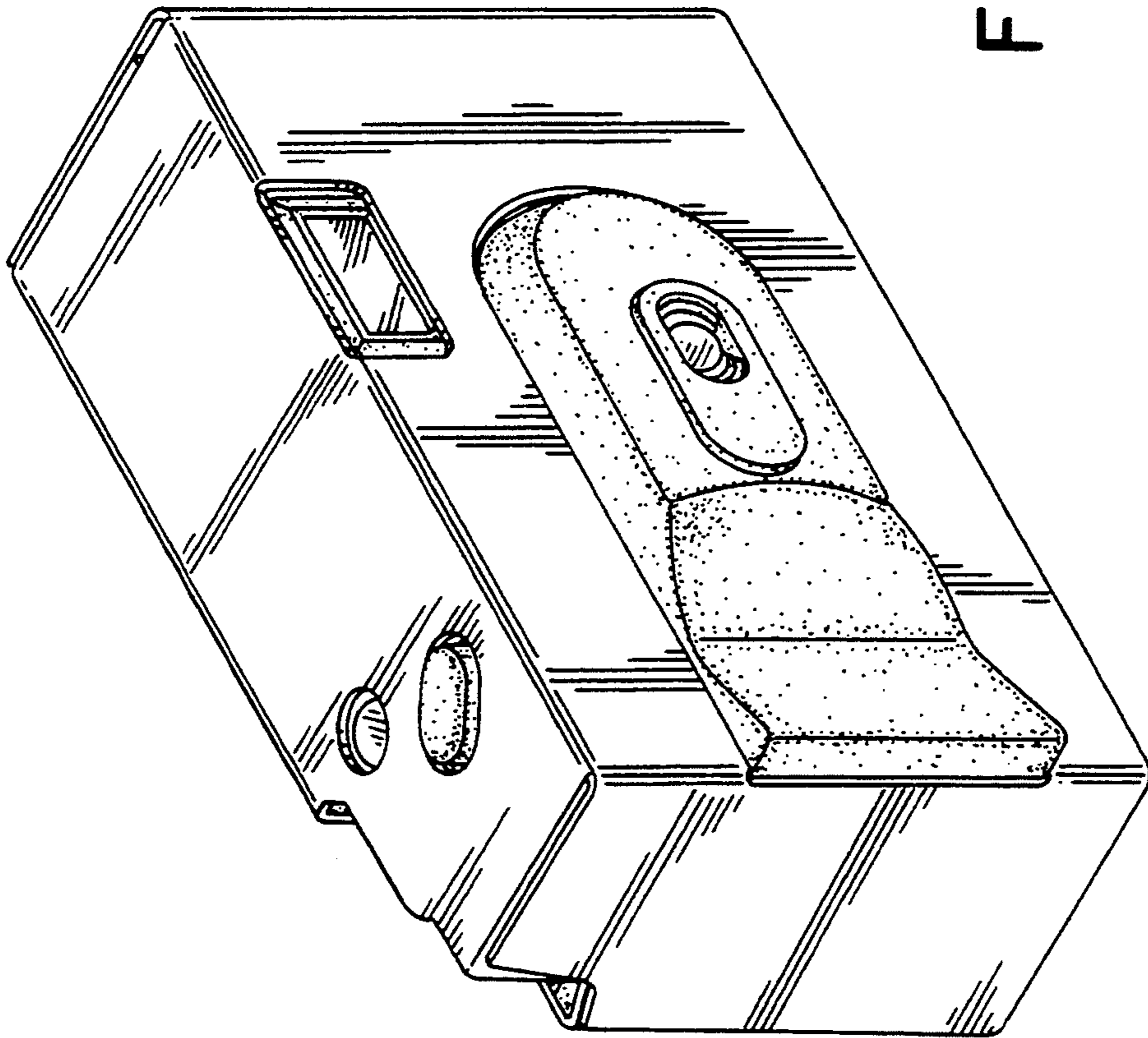


Fig. 1

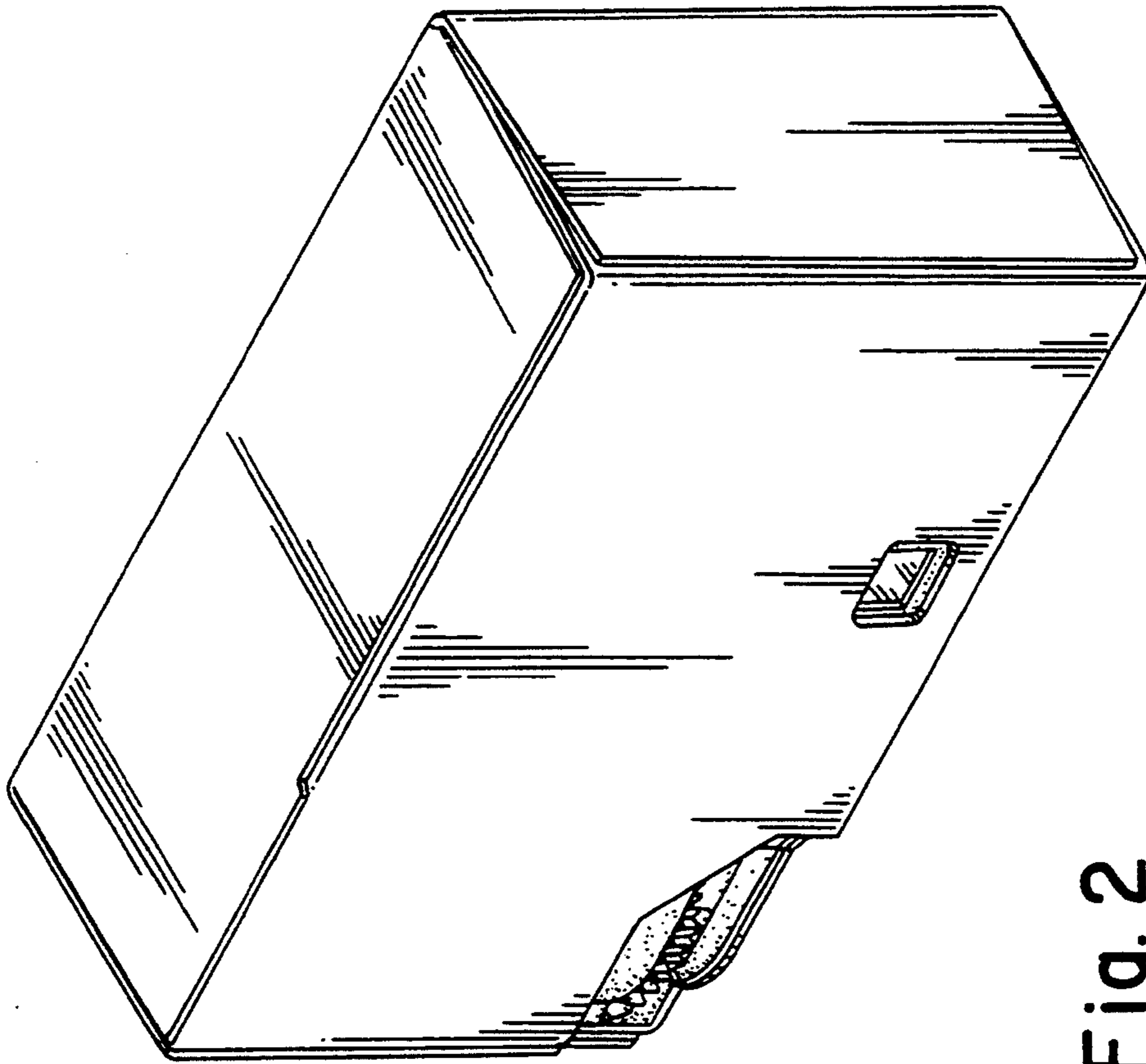


Fig. 2

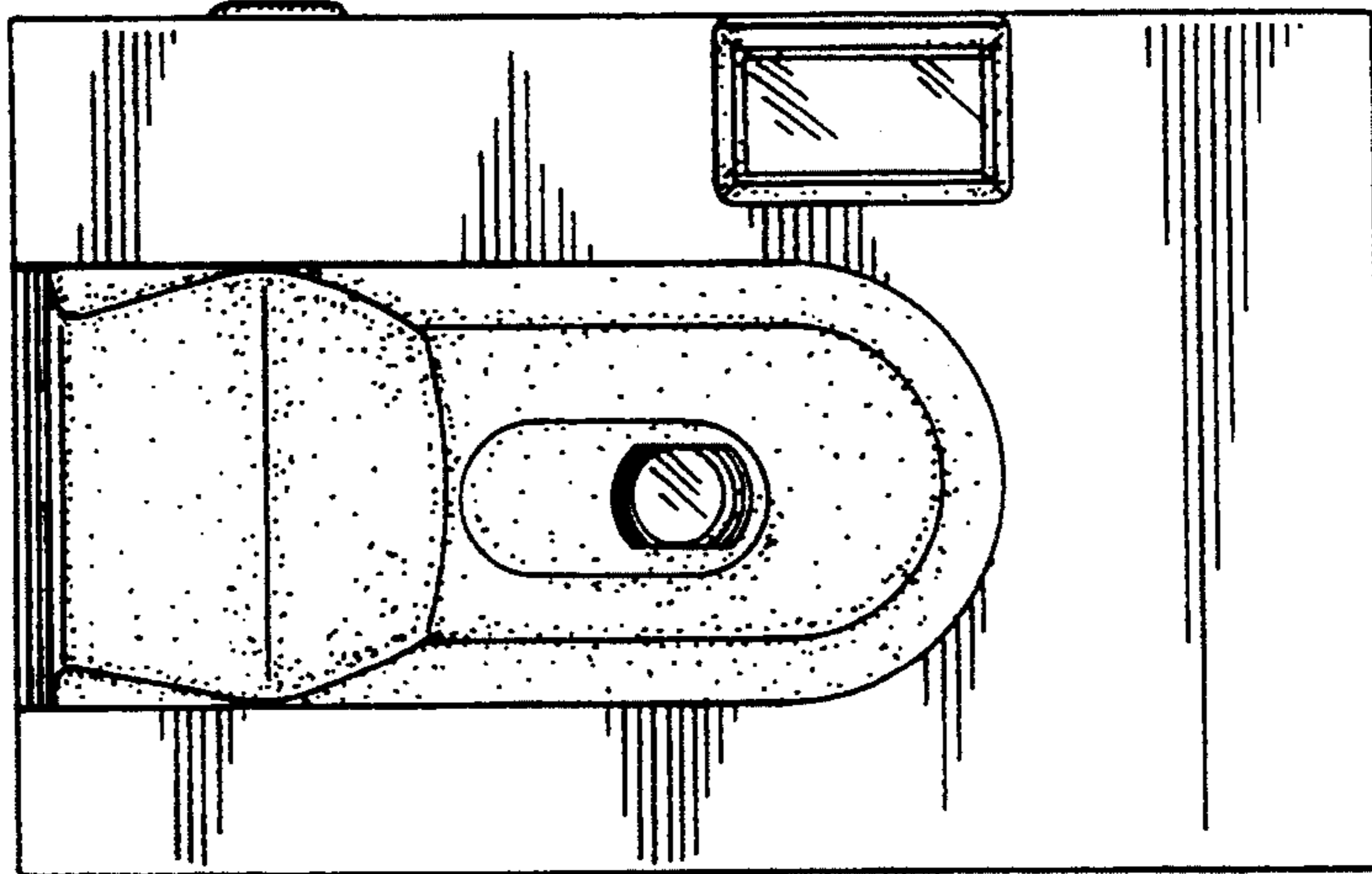


Fig. 3

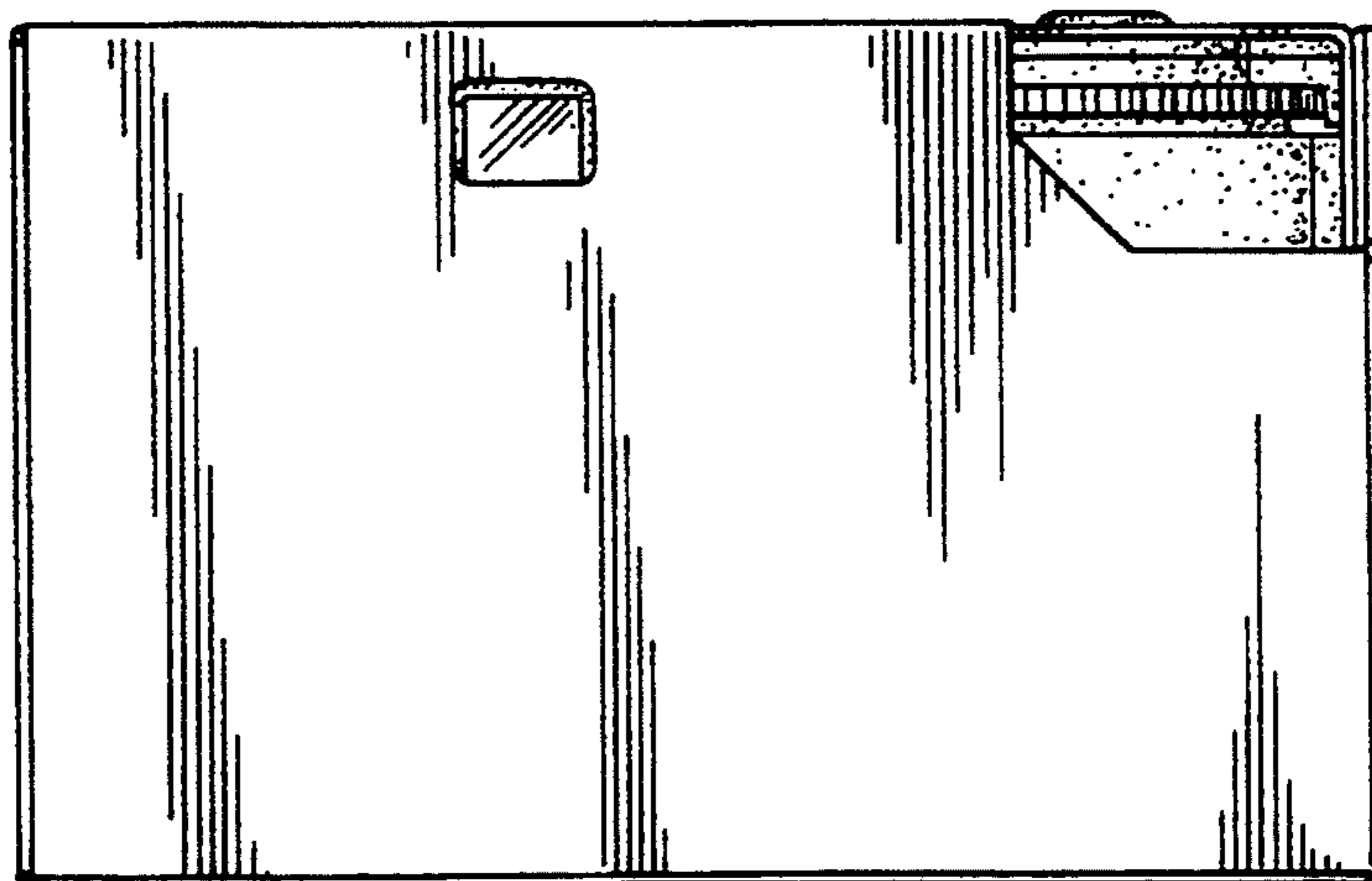


Fig. 4

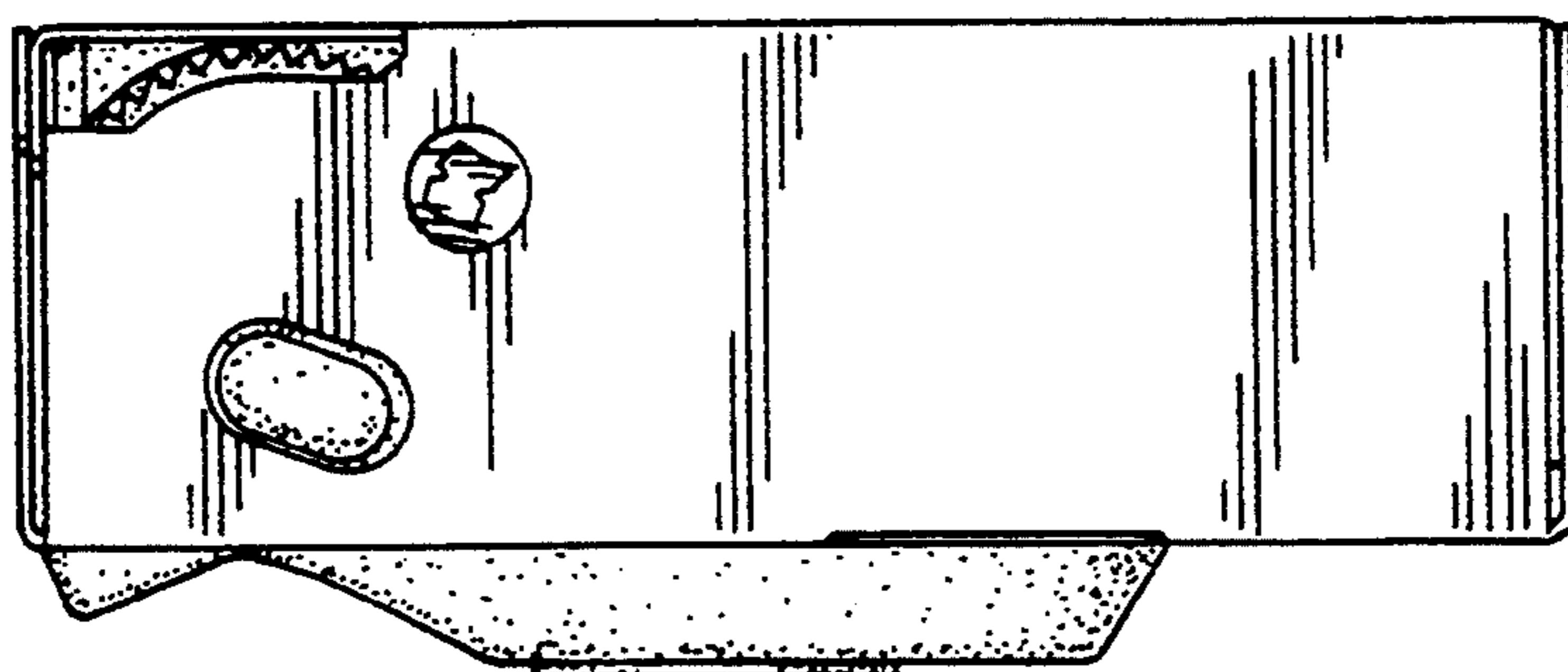


Fig. 5

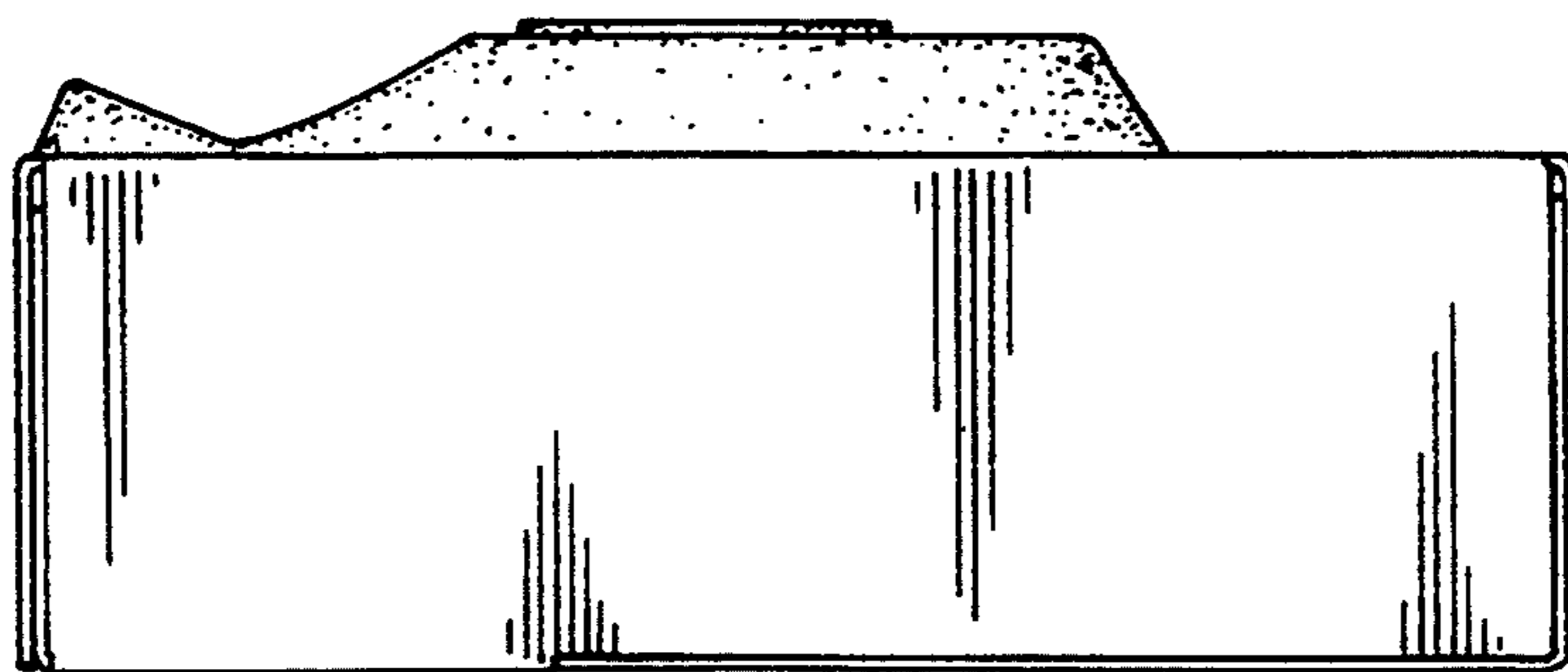


Fig. 6

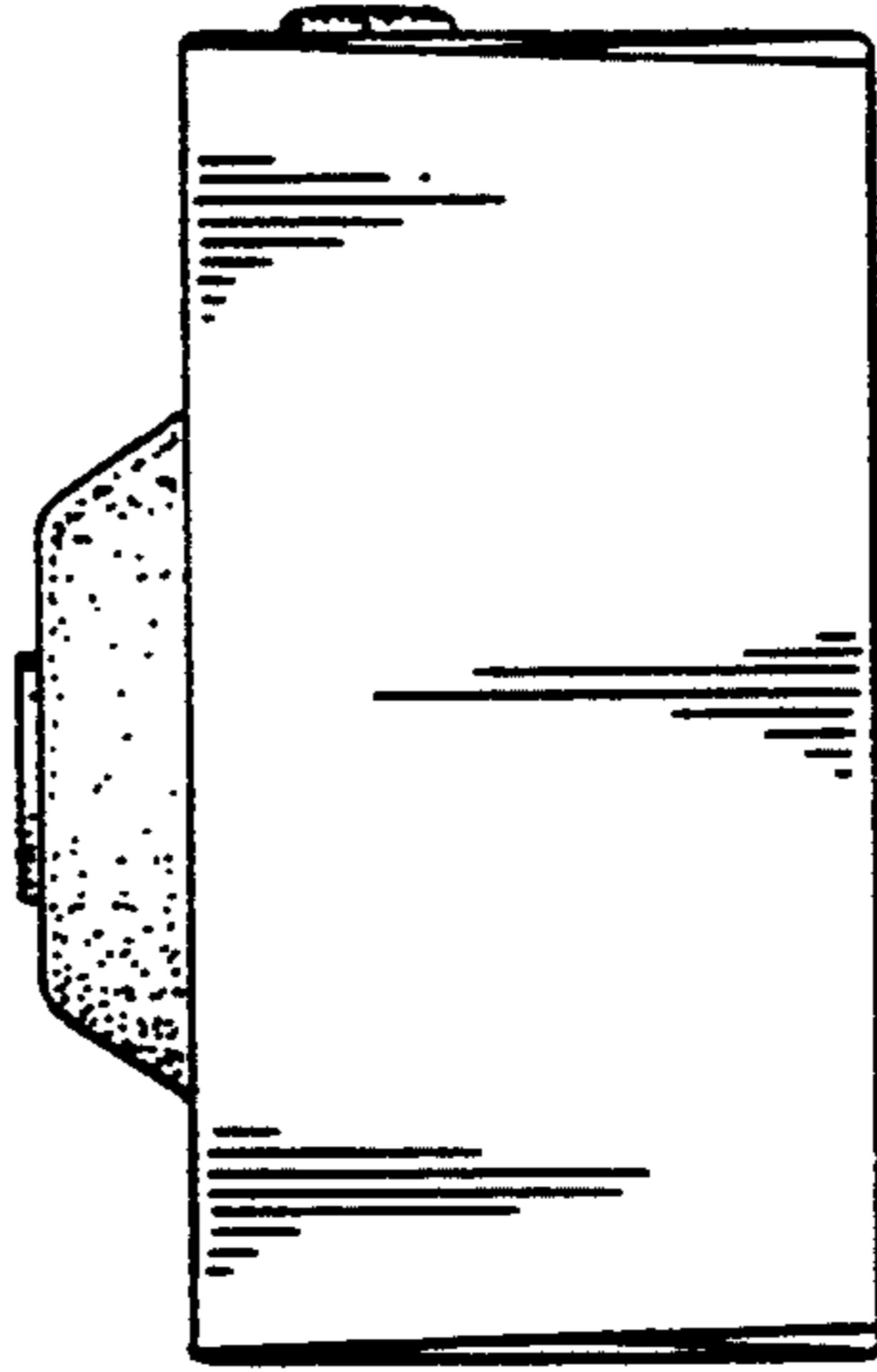


Fig. 7

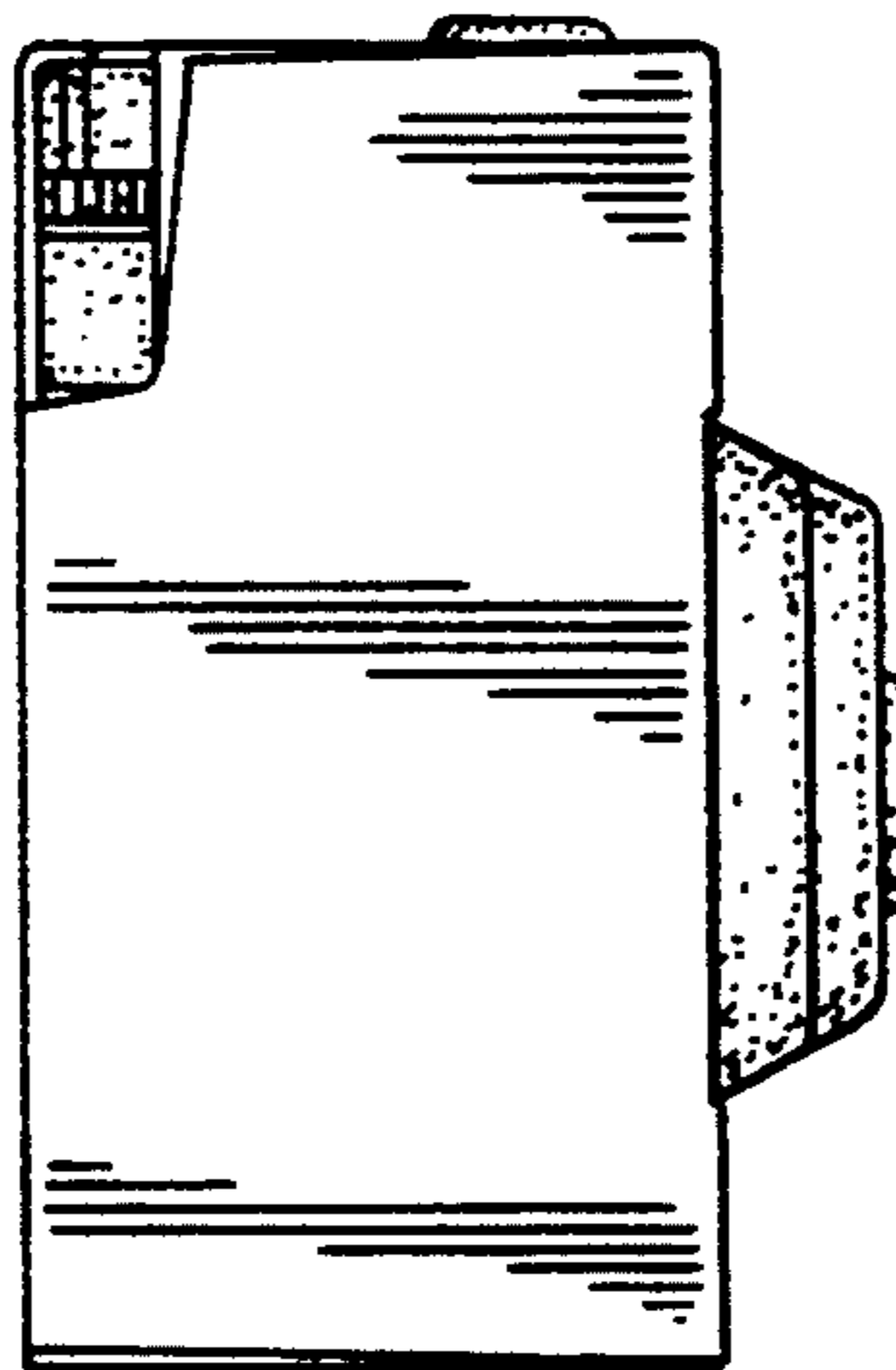


Fig. 8