



US00D352298S

# United States Patent [19]

[11] Patent Number: **Des. 352,298**

Beisbier, Jr.

[45] Date of Patent: **\*\* Nov. 8, 1994**

[54] **DUST COLLECTOR FOR MILLING MACHINE**

[76] Inventor: **Robert J. Beisbier, Jr., N56 W15763 Bette Dr., Menomonee Falls, Wis. 53051**

[\*\*] Term: **14 Years**

[21] Appl. No.: **10,724**

[22] Filed: **Jul. 15, 1993**

[52] U.S. Cl. .... **D15/126**

[58] Field of Search ..... **29/DIG. 84, DIG. 86; 51/5 R; 144/252 R; 408/710; 409/134; D15/126, 138; D32/30**

[56] **References Cited**

**U.S. PATENT DOCUMENTS**

D. 244,277 5/1977 Der-Avanessian ..... D15/126  
4,813,462 3/1989 Linn ..... 144/252 R X

**OTHER PUBLICATIONS**

European Jeweler; Nilfisk Dust Cover; Apr. 1977; p. 151.

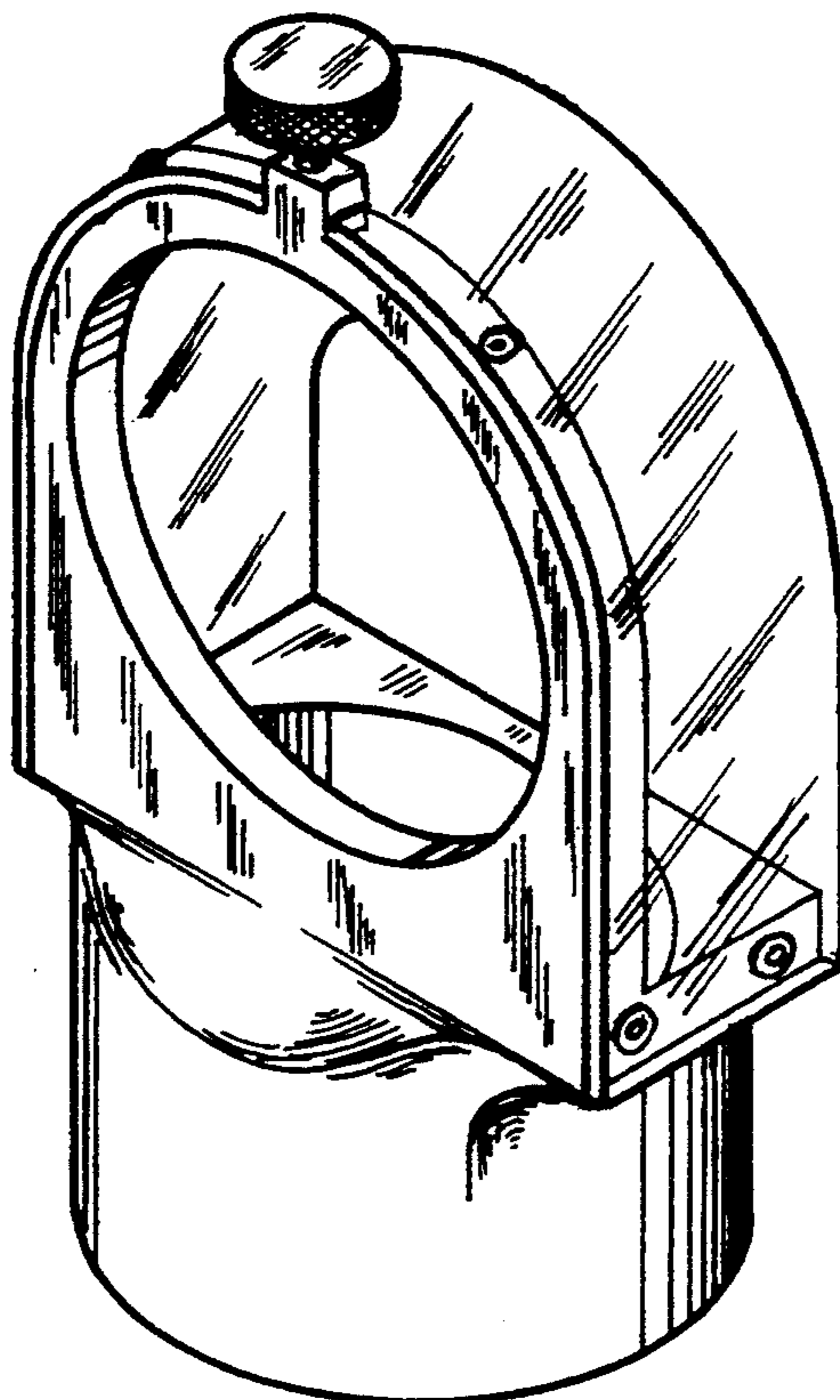
*Primary Examiner*—Alan P. Douglas  
*Assistant Examiner*—Antoine D. Davis  
*Attorney, Agent, or Firm*—Wheeler & Kromholz

[57] **CLAIM**

The ornamental design for a dust collector for milling machine, as shown and described.

**DESCRIPTION**

FIG. 1 is a bottom plan view of a dust collector for a milling machine showing my new design; FIG. 2 is a right side elevational view; FIG. 3 is a top plan view; FIG. 4 is a left side elevational view; FIG. 5 is an end view; FIG. 6 is an opposite end view; and, FIG. 7 is a perspective view thereof.



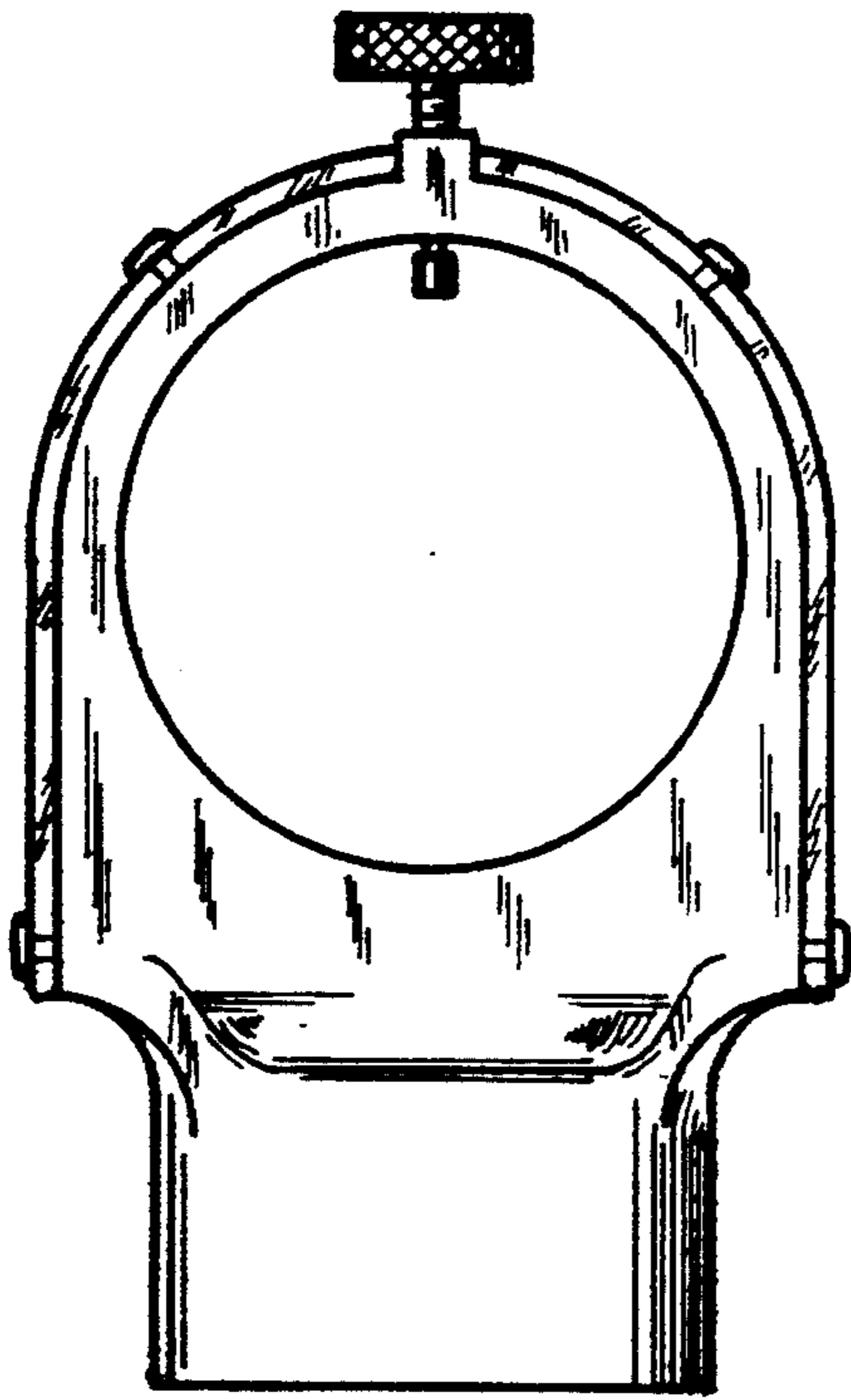


FIG. 1

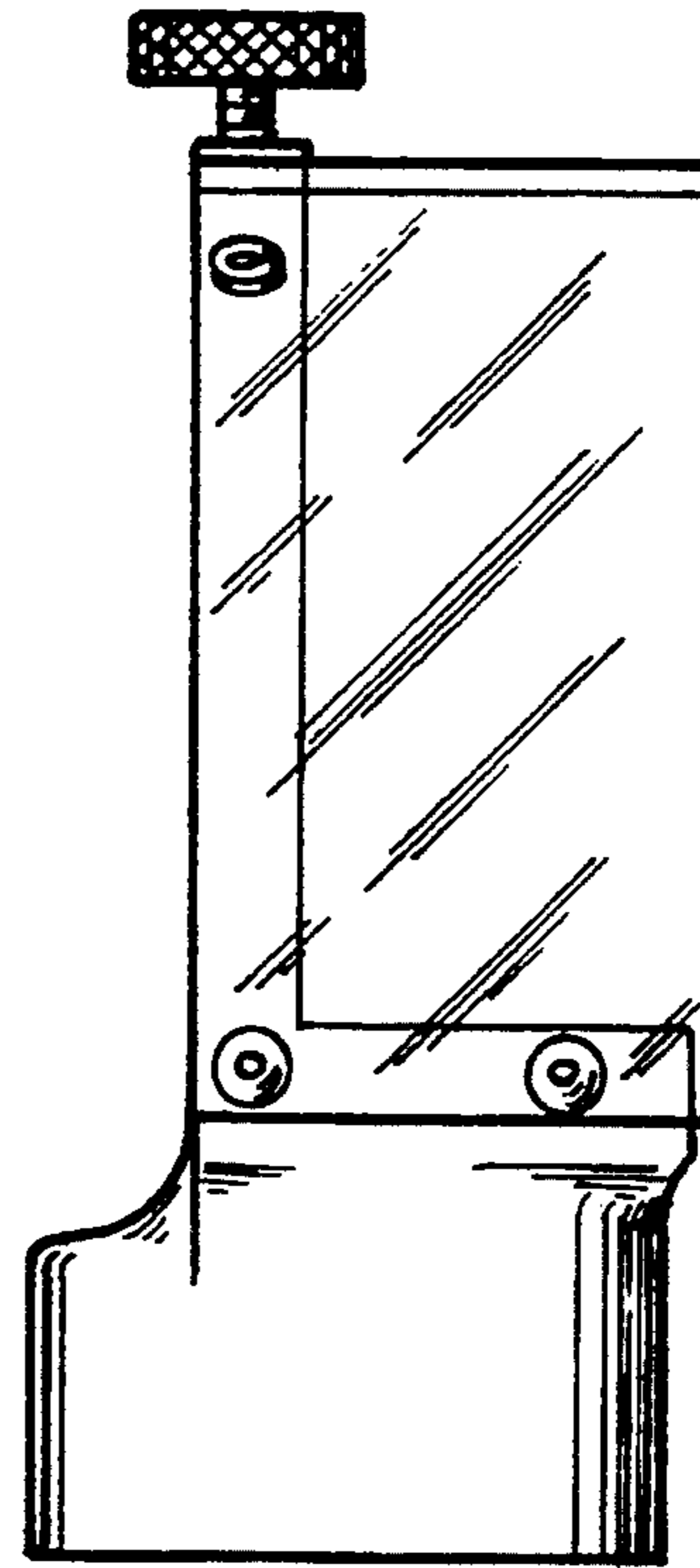


FIG. 2

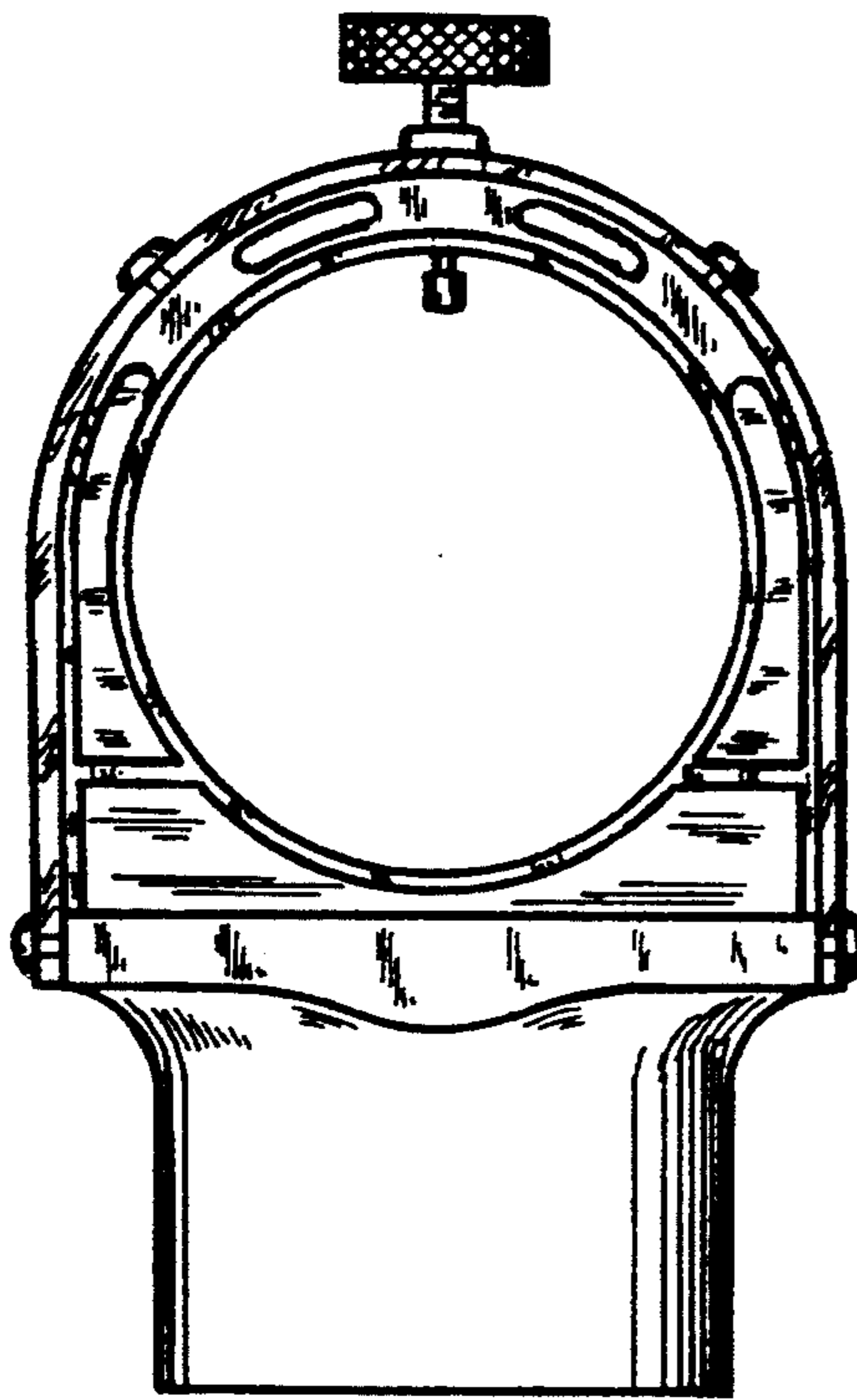


FIG. 3

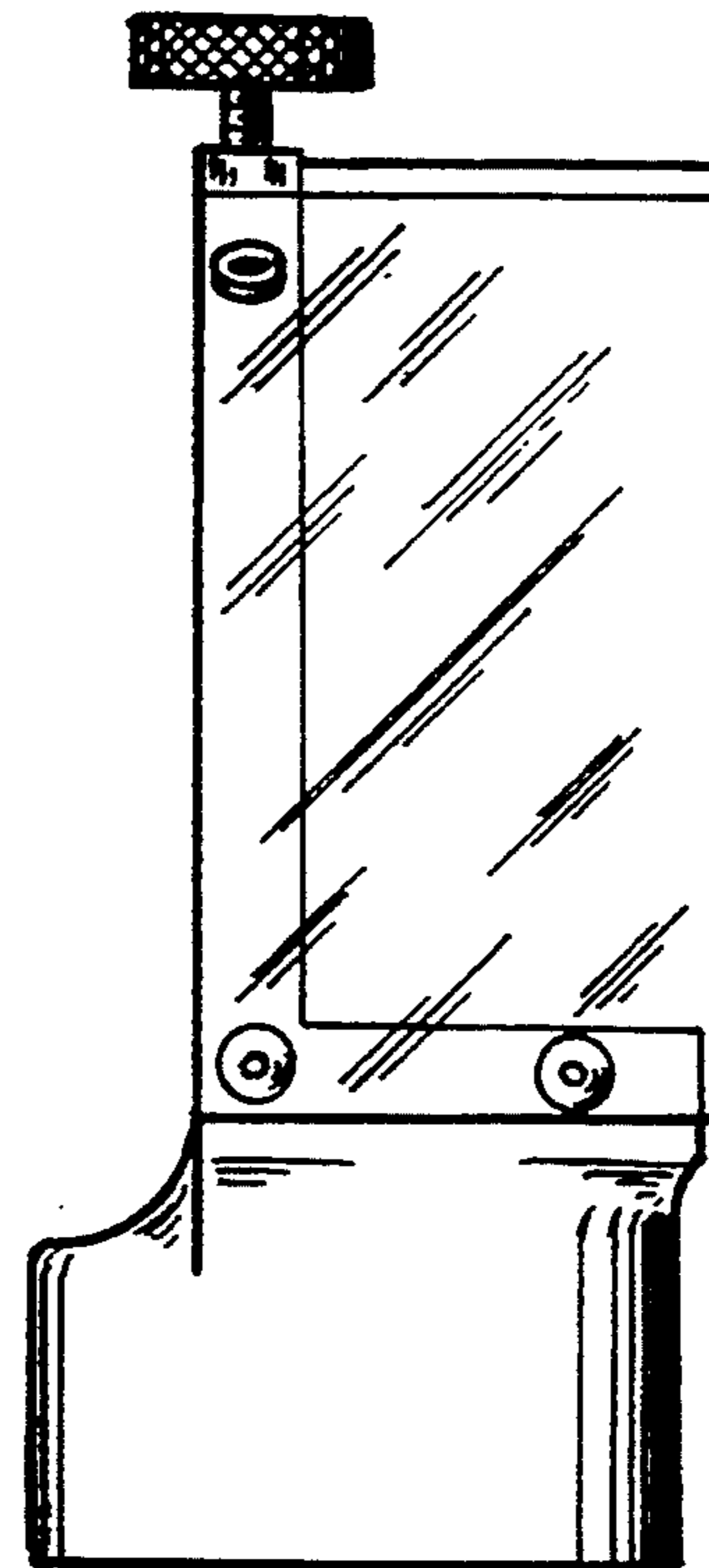


FIG. 4

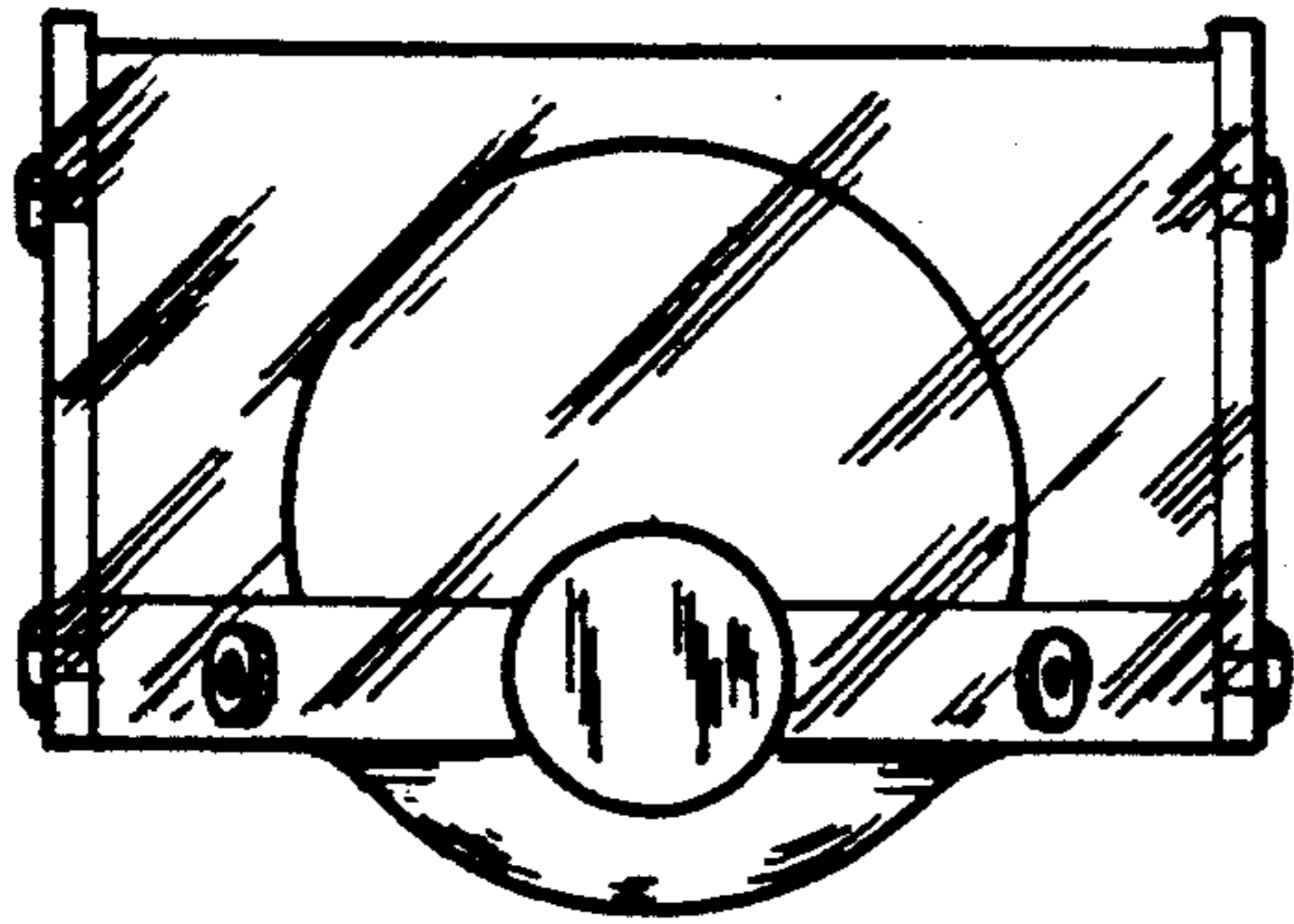


FIG. 5

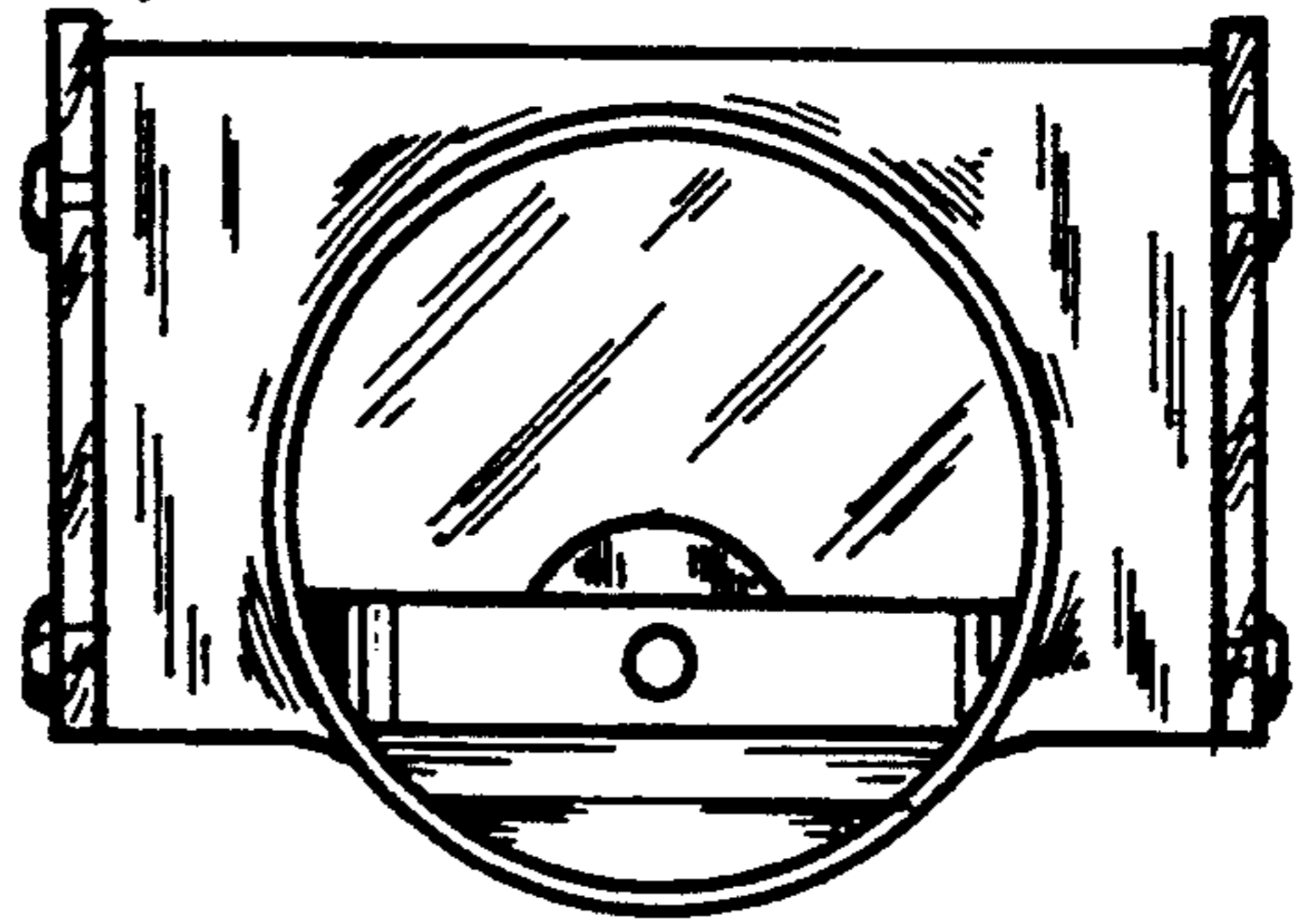


FIG. 6

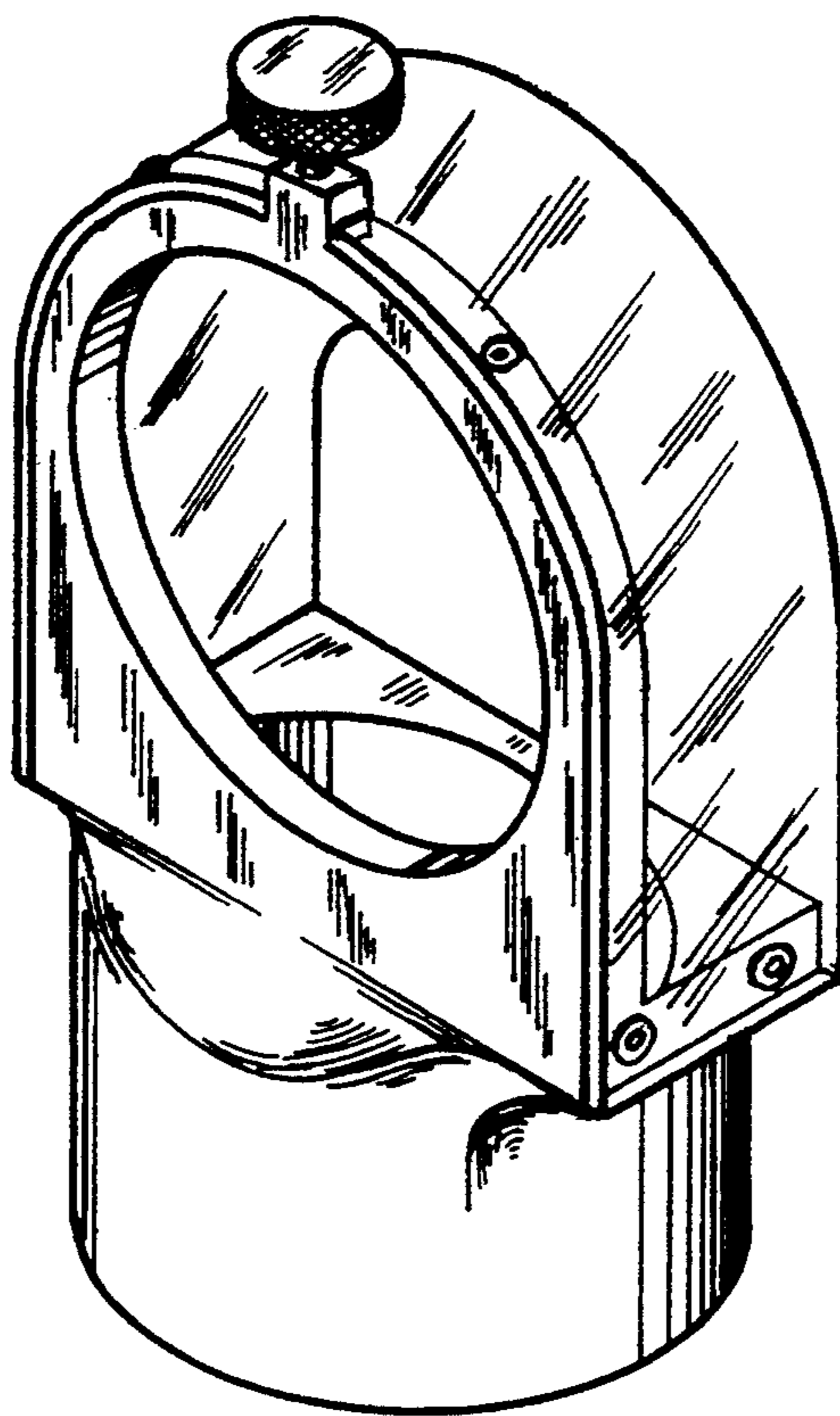


FIG. 7