



US00D352297S

United States Patent [19] Barish

[11] Patent Number: **Des. 352,297**

[45] Date of Patent: **** Nov. 8, 1994**

[54] **FREEZER CABINET**

5,285,656 2/1994 Peters 62/457.1

[76] Inventor: **Allan H. Barish**, 7 Vanwood Road,
Thornhill, Ontario, Canada, L3T
2N1

Primary Examiner—Bernard Ansher
Assistant Examiner—Sandra Morris
Attorney, Agent, or Firm—Bauer & Schaffer

[**] Term: **14 Years**

[57] **CLAIM**

[21] Appl. No.: **4,344**

The ornamental design for freezer cabinet, as shown
and described.

[22] Filed: **Feb. 2, 1993**

DESCRIPTION

[30] **Foreign Application Priority Data**

FIG. 1 is a perspective view of a freezer cabinet, showing
my new design;

Aug. 12, 1992 [CA] Canada 12-08-92-1

FIG. 2 is a front elevational view thereof;

[52] U.S. Cl. **D15/83; D34/19**

FIG. 3 is a top plan view thereof;

[58] Field of Search 62/457.1; 312/114, 116,
312/117; D6/470; D15/79-81; D34/14, 16, 19,
21

FIG. 4 is a right side elevational view thereof, the other
side being identical;

FIG. 5 is a bottom plan view thereof;

FIG. 6 is a rear elevational view thereof;

[56] **References Cited**

U.S. PATENT DOCUMENTS

FIG. 7 is a perspective view of the second embodiment
of the design shown in FIG. 1;

FIG. 8 is a front elevational view of FIG. 7;

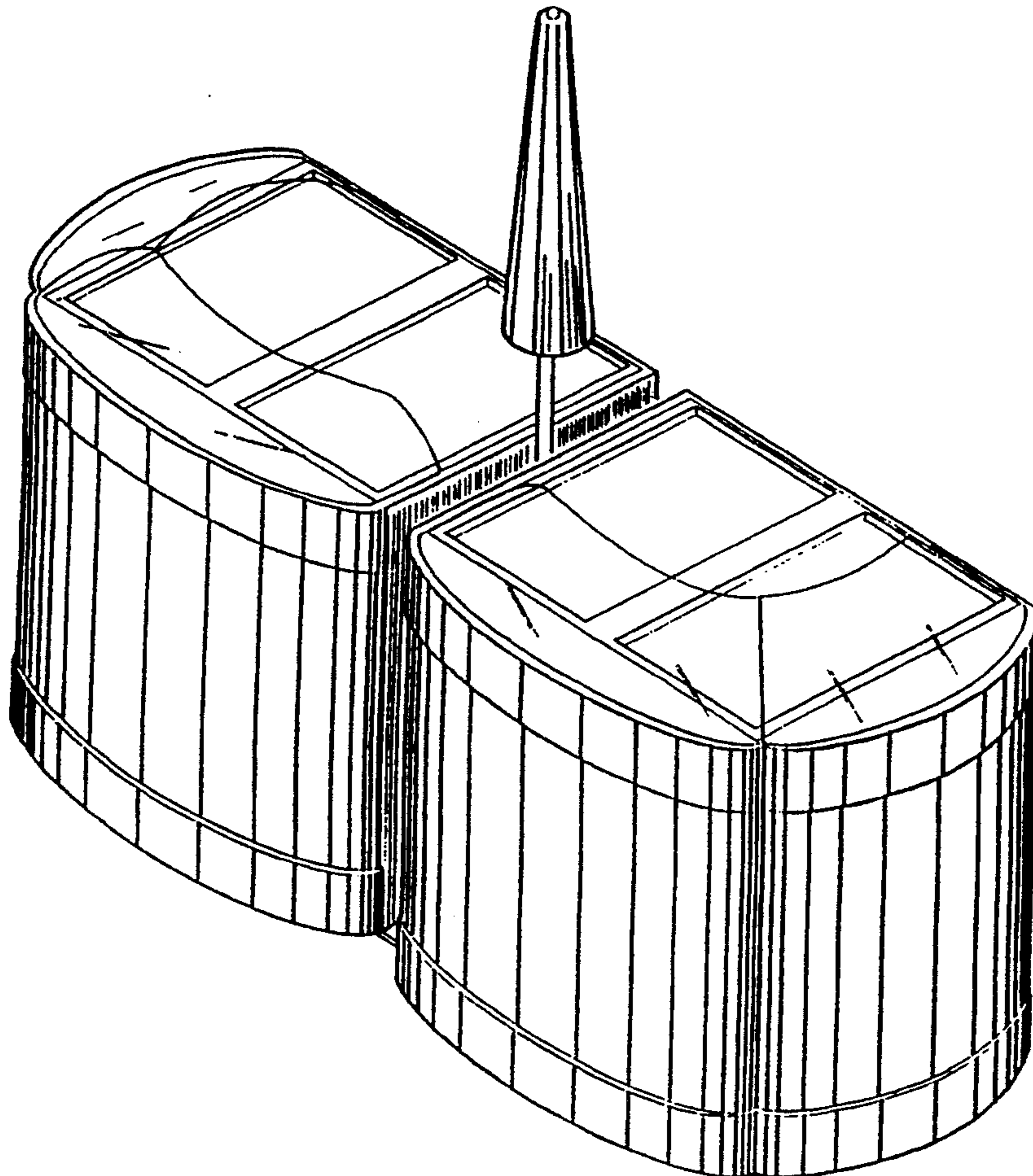
FIG. 9 is a top plan view of FIG. 7;

FIG. 10 is a right side elevational view of FIG. 7, the
other side being identical;

FIG. 11 is a rear plan view of FIG. 7; and,

FIG. 12 is a bottom elevational view of FIG. 7.

D. 184,781	3/1959	Todd	D34/19
D. 228,063	8/1973	Keeshin et al.	D34/14
D. 281,363	11/1985	Carvel	D34/14
D. 327,966	7/1992	Hikawa	D34/19
D. 341,457	11/1993	Johnson et al.	D34/19
3,730,603	5/1973	Looms	312/116



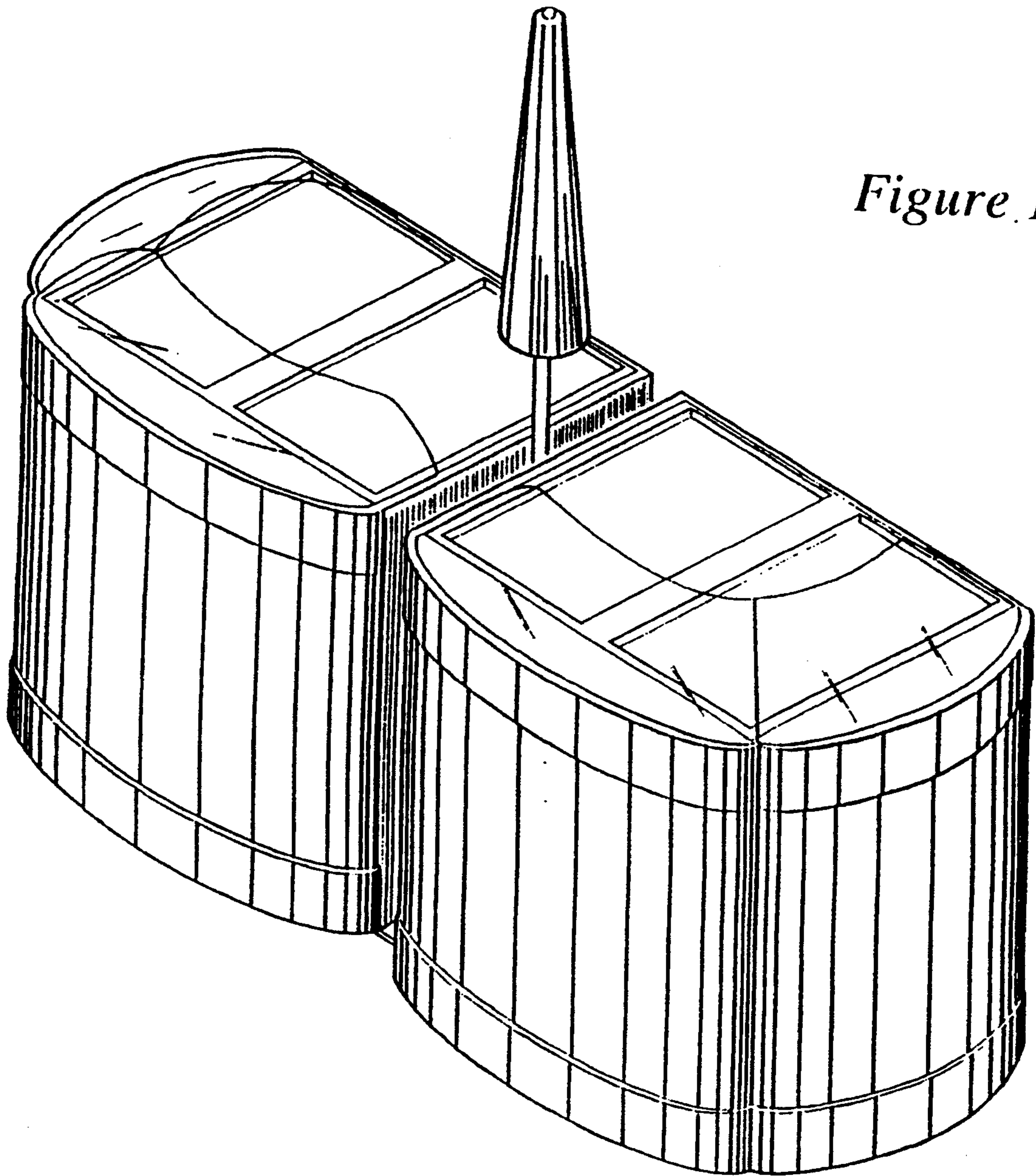


Figure 1

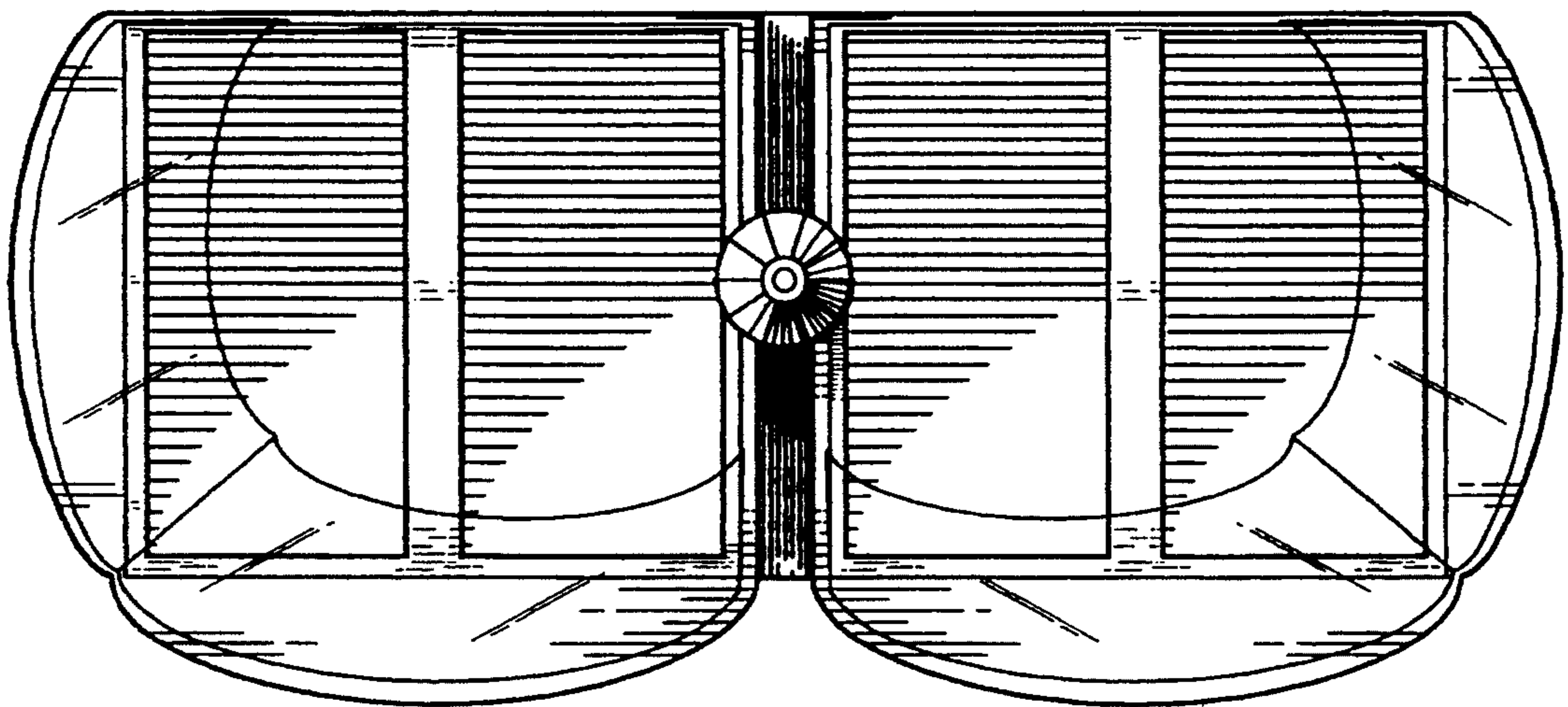
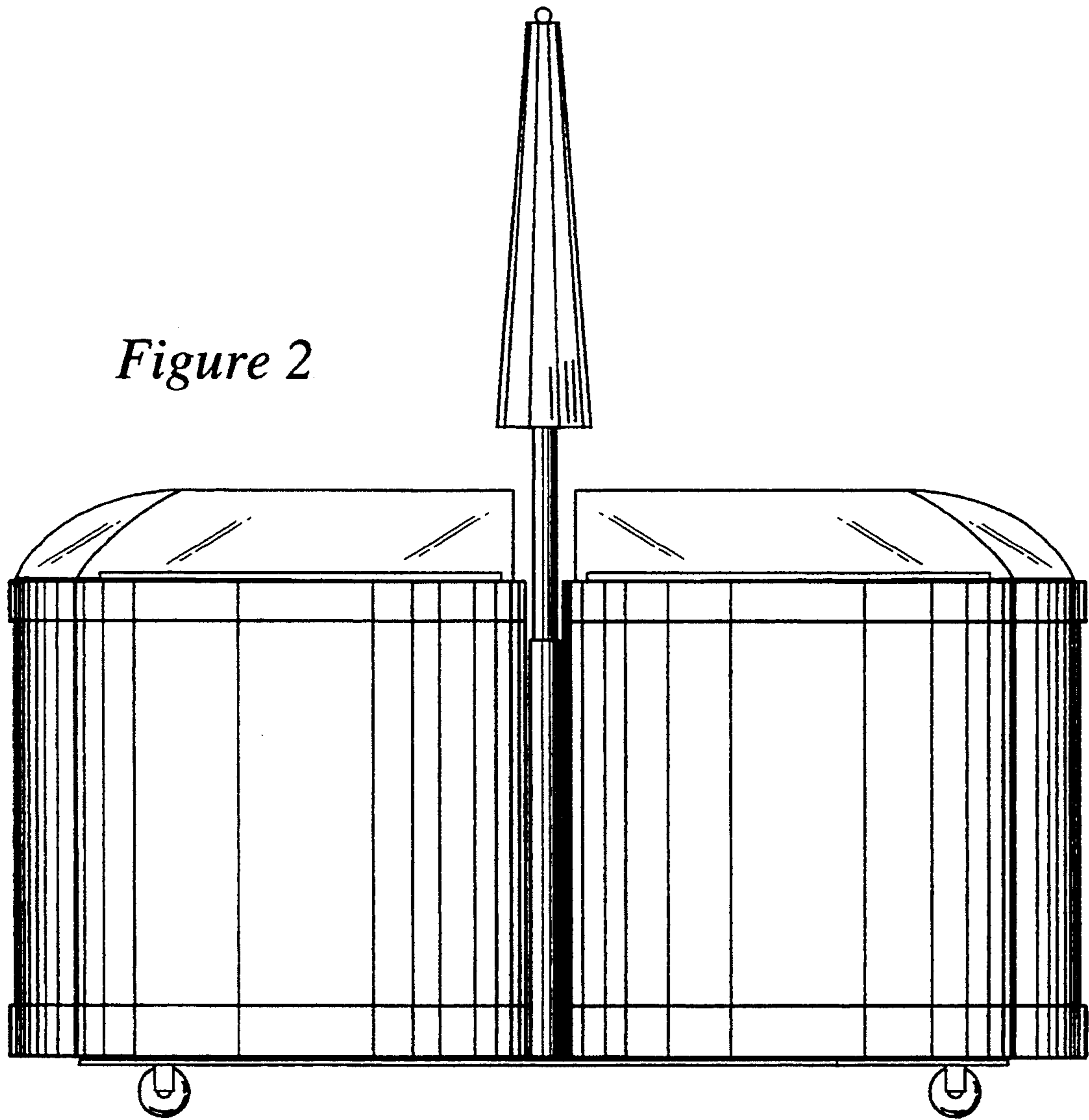


Figure 3

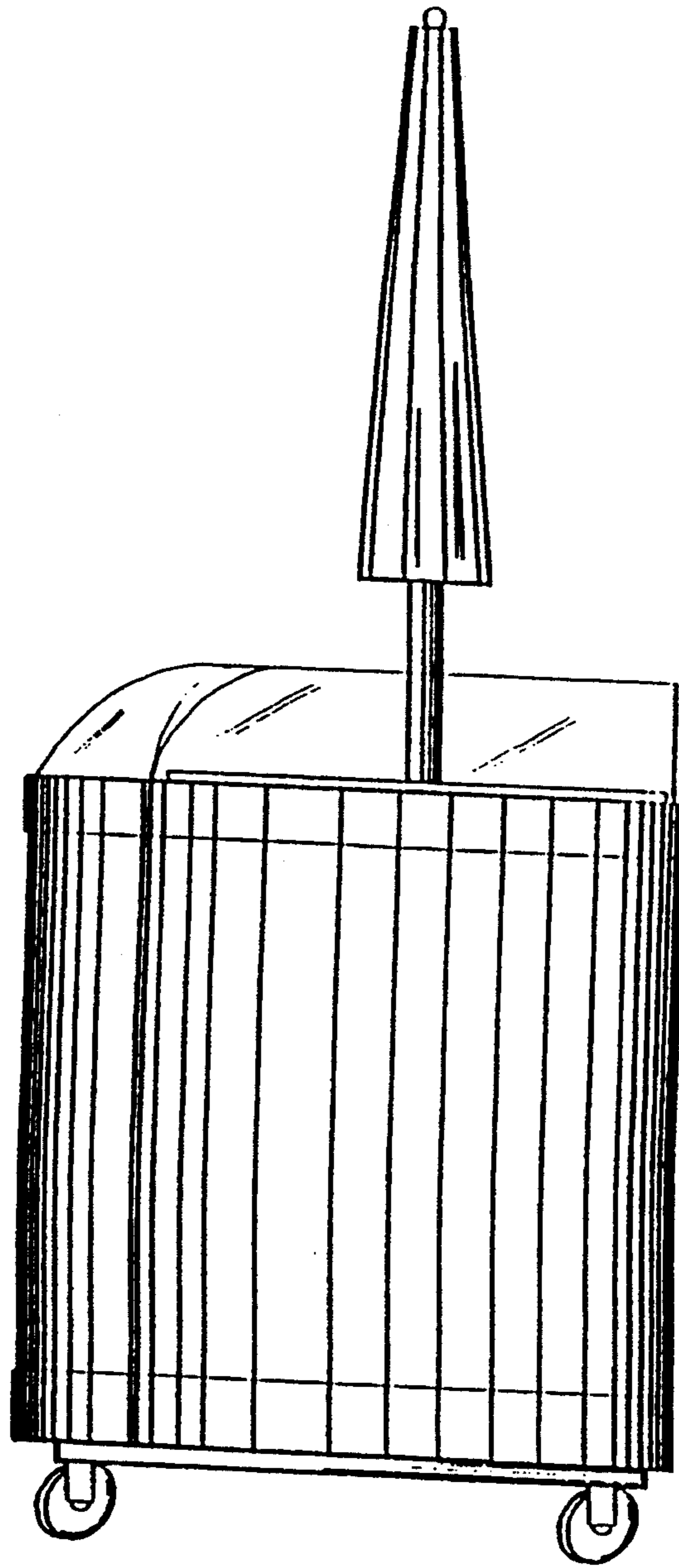


Figure 4

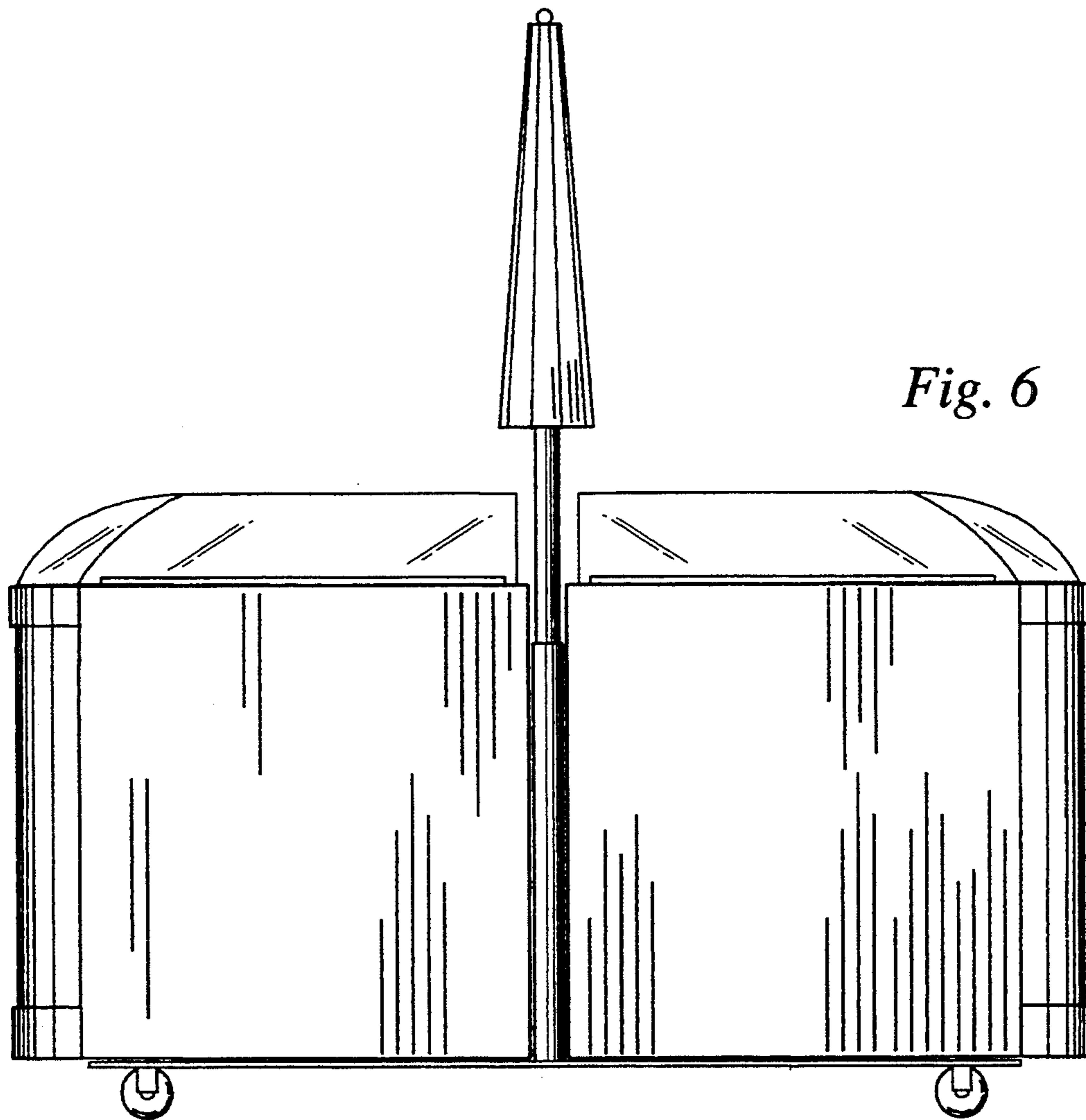


Fig. 6

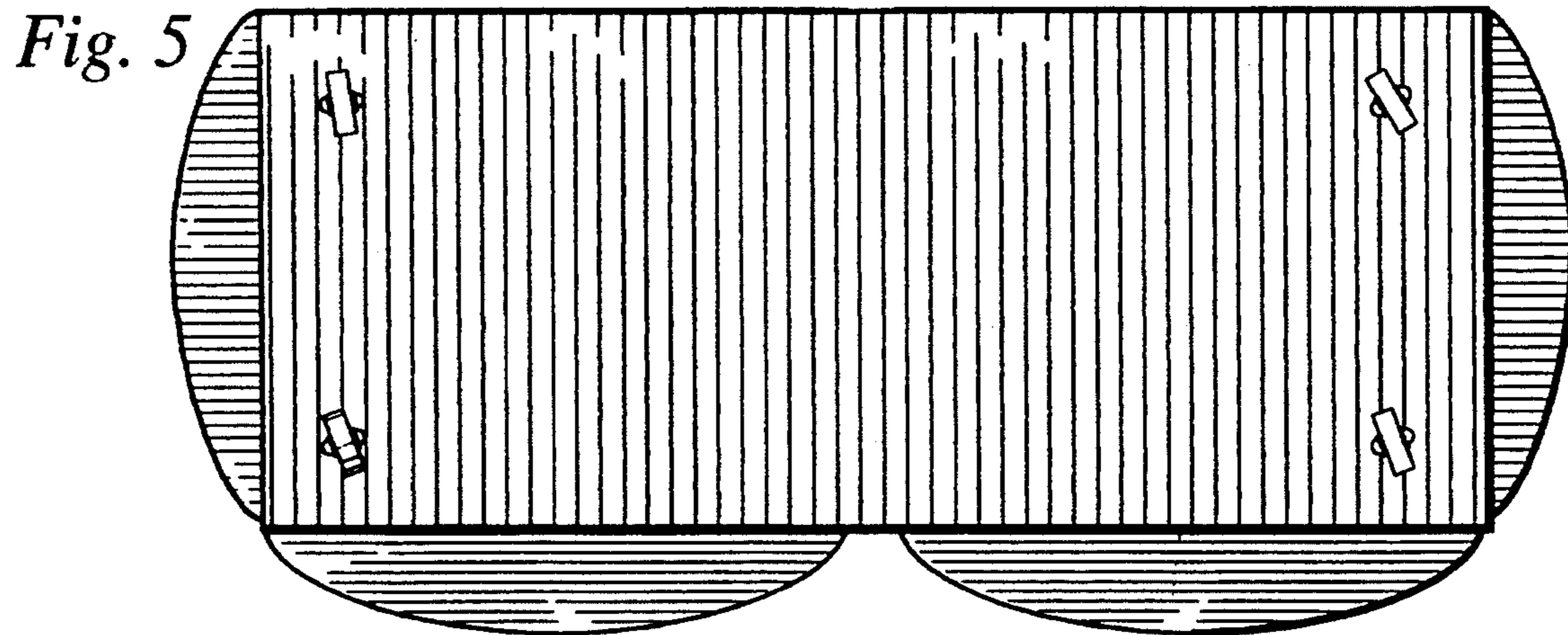


Fig. 5

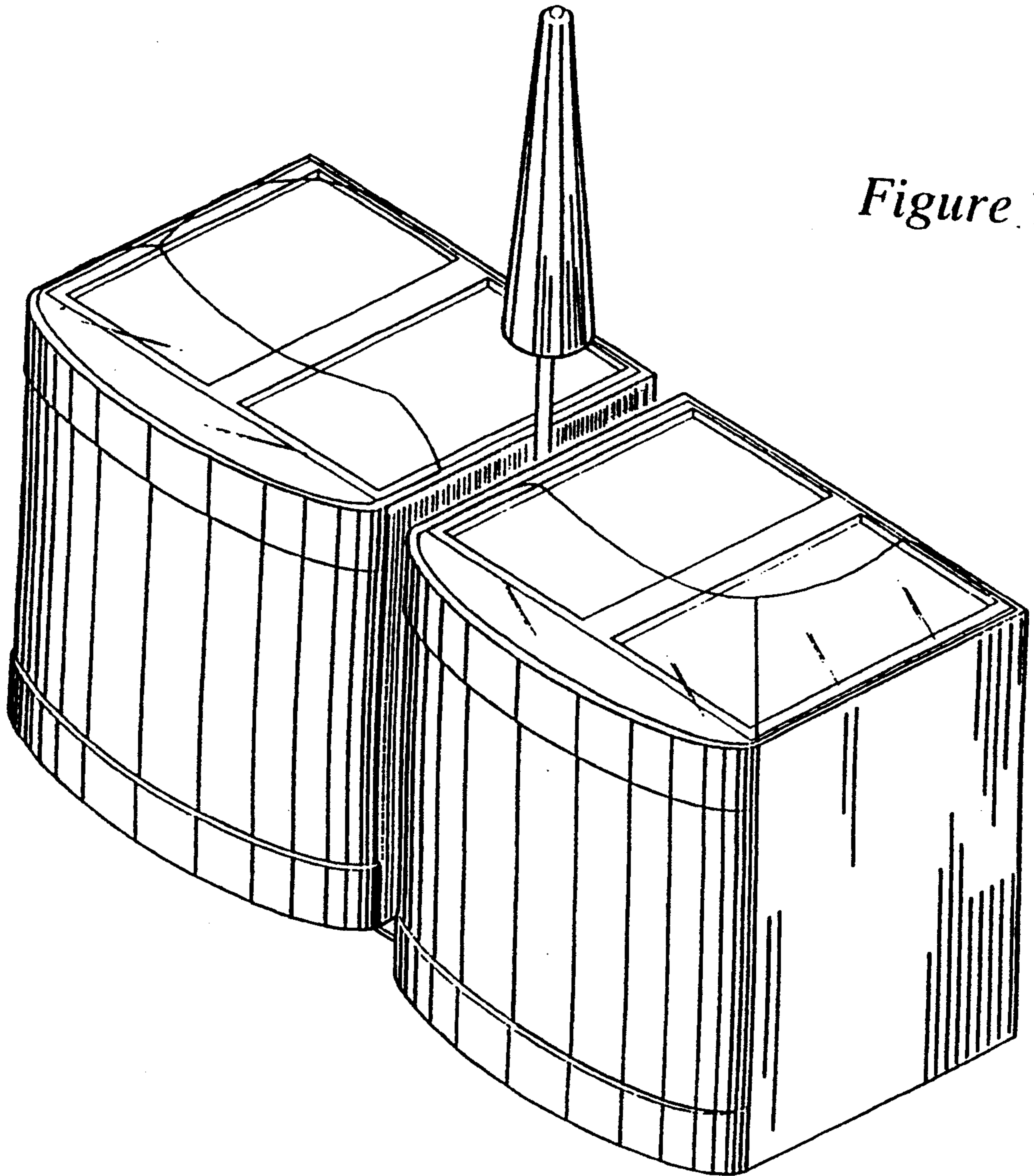


Figure 7

Fig. 8

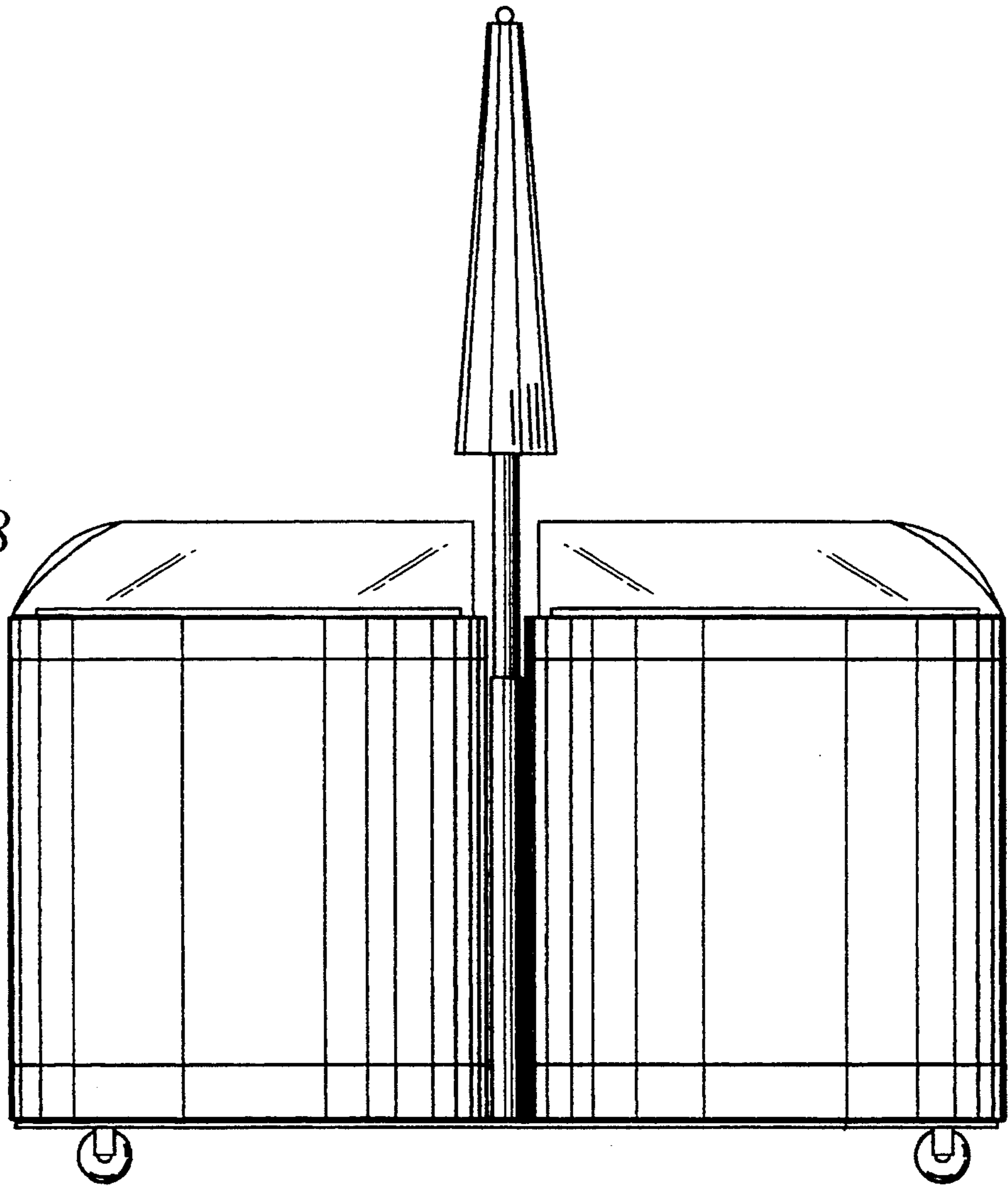
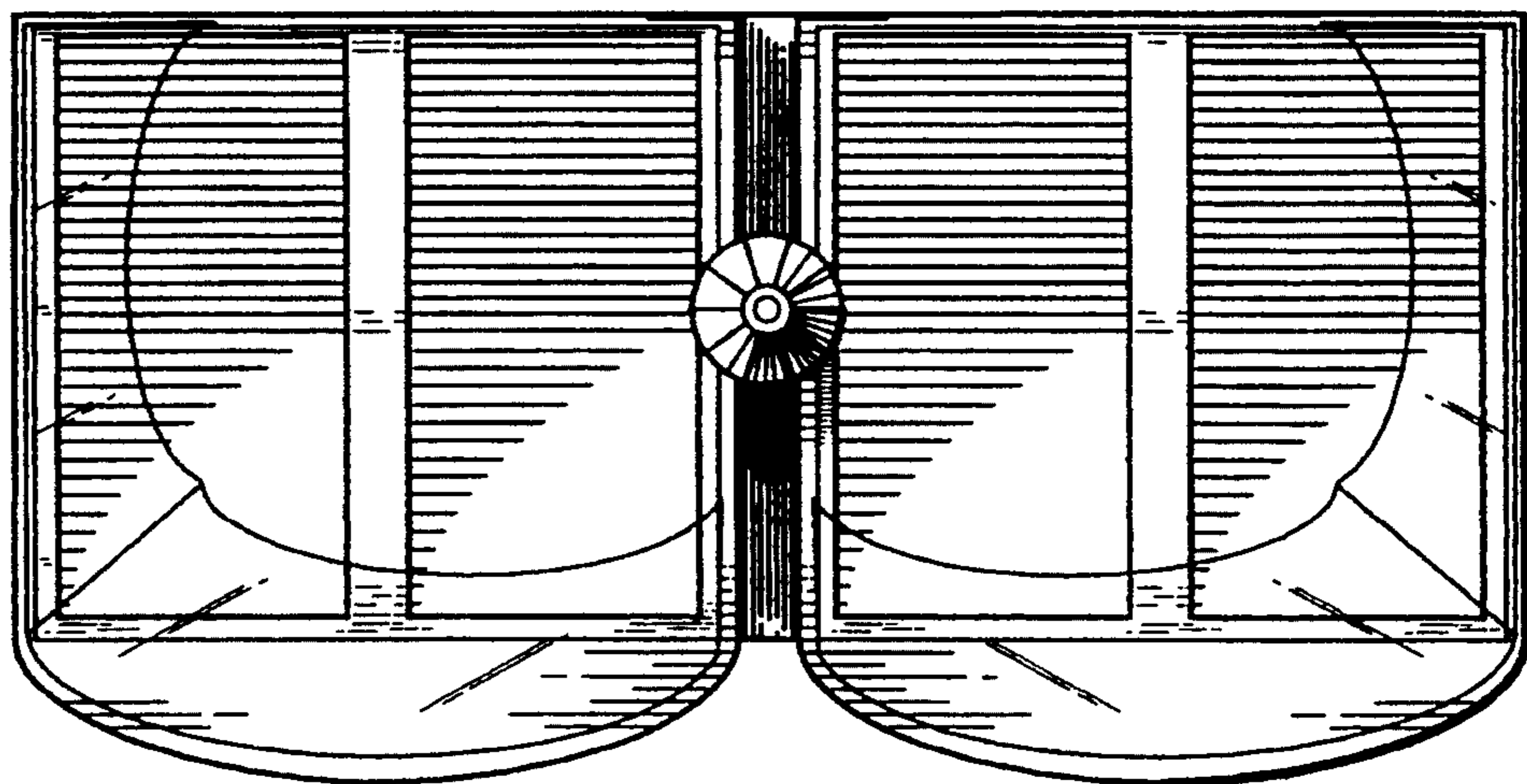


Fig. 9



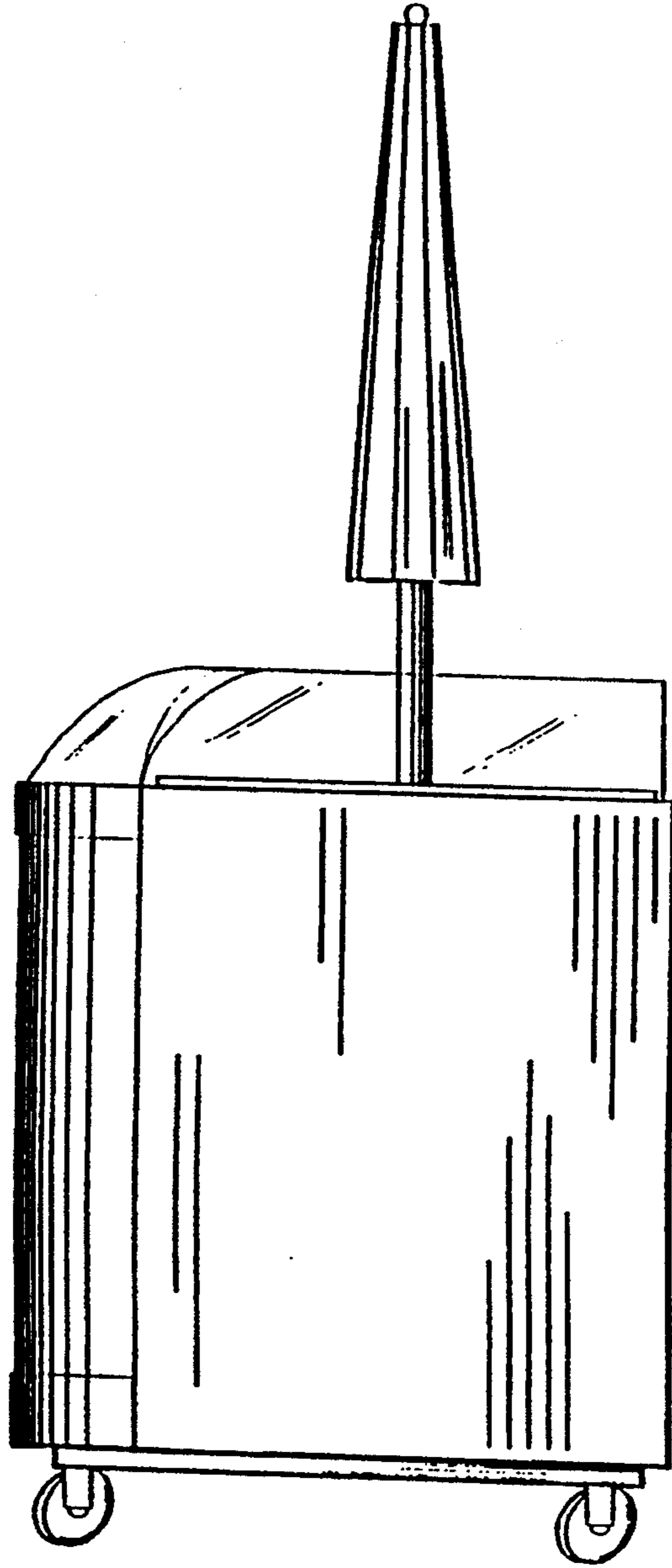


Figure 10

Figure 11

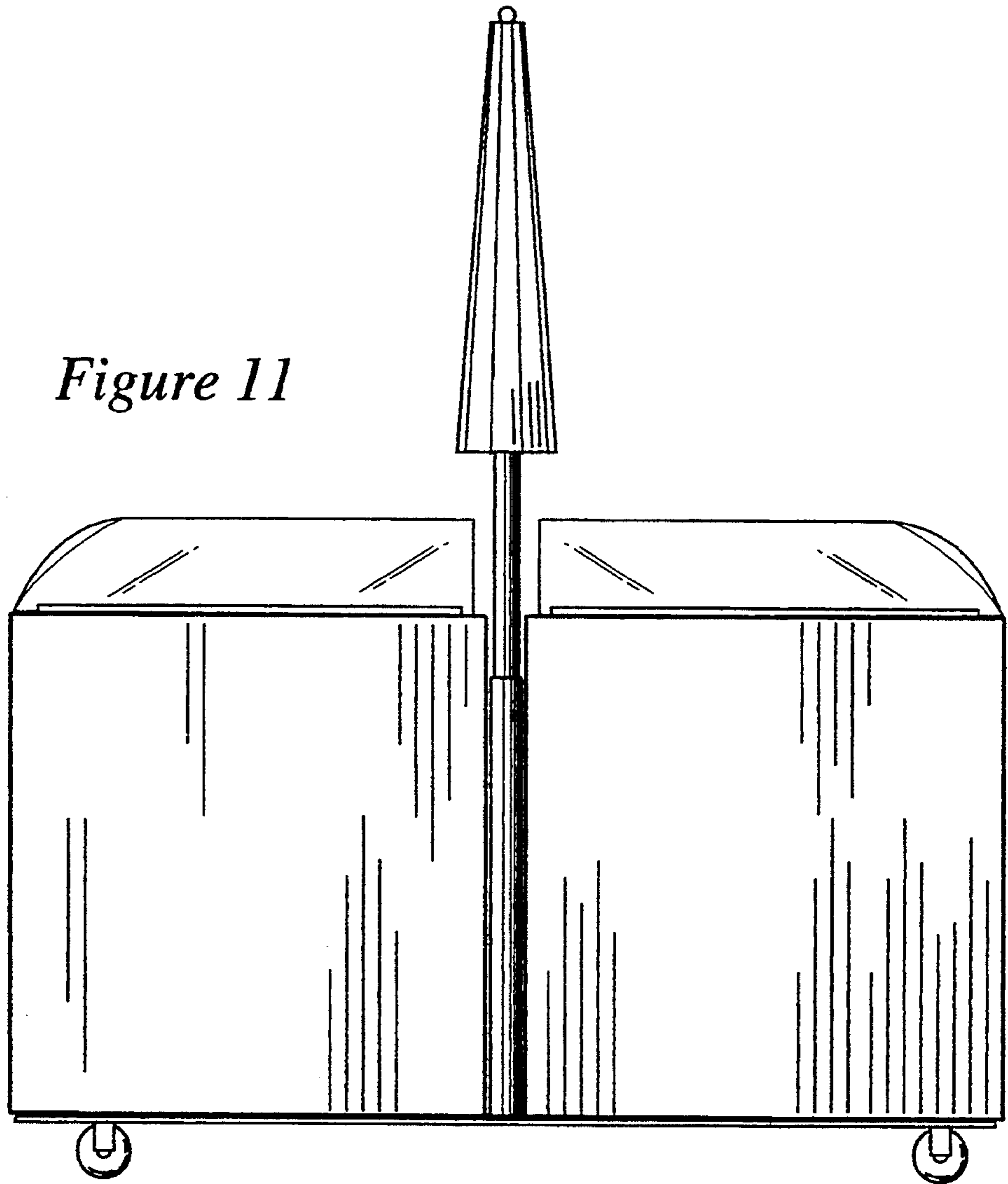


Fig. 12

