



US00D352296S

United States Patent [19]
Westendorf

[11] **Patent Number: Des. 352,296**
[45] **Date of Patent: ** Nov. 8, 1994**

[54] **KEG REFRIGERATOR**

4,679,407 7/1987 Kim et al. 62/457.9

[76] **Inventor: Neal Westendorf, 1410 Maple Dr.,
Onawa, Iowa 51040**

Primary Examiner—Bernard Ansher
Assistant Examiner—Sandra Morris
Attorney, Agent, or Firm—John A. Beehner

[**] **Term: 14 Years**

[57] **CLAIM**

[21] **Appl. No.: 867,404**

The ornamental design for a keg refrigerator, as shown and described.

[22] **Filed: Apr. 13, 1992**

[52] **U.S. Cl. D15/81**

DESCRIPTION

[58] **Field of Search 62/444, 445, 457.9;
312/116; D15/79-88**

FIG. 1 is a perspective view of a keg refrigerator showing my new design;

[56] **References Cited**

U.S. PATENT DOCUMENTS

- D. 265,202 6/1982 Thomsen D15/79
- D. 287,133 12/1986 Owen D15/81
- D. 313,026 2/1990 Evans D15/81

FIG. 2 is a top plan view thereof;

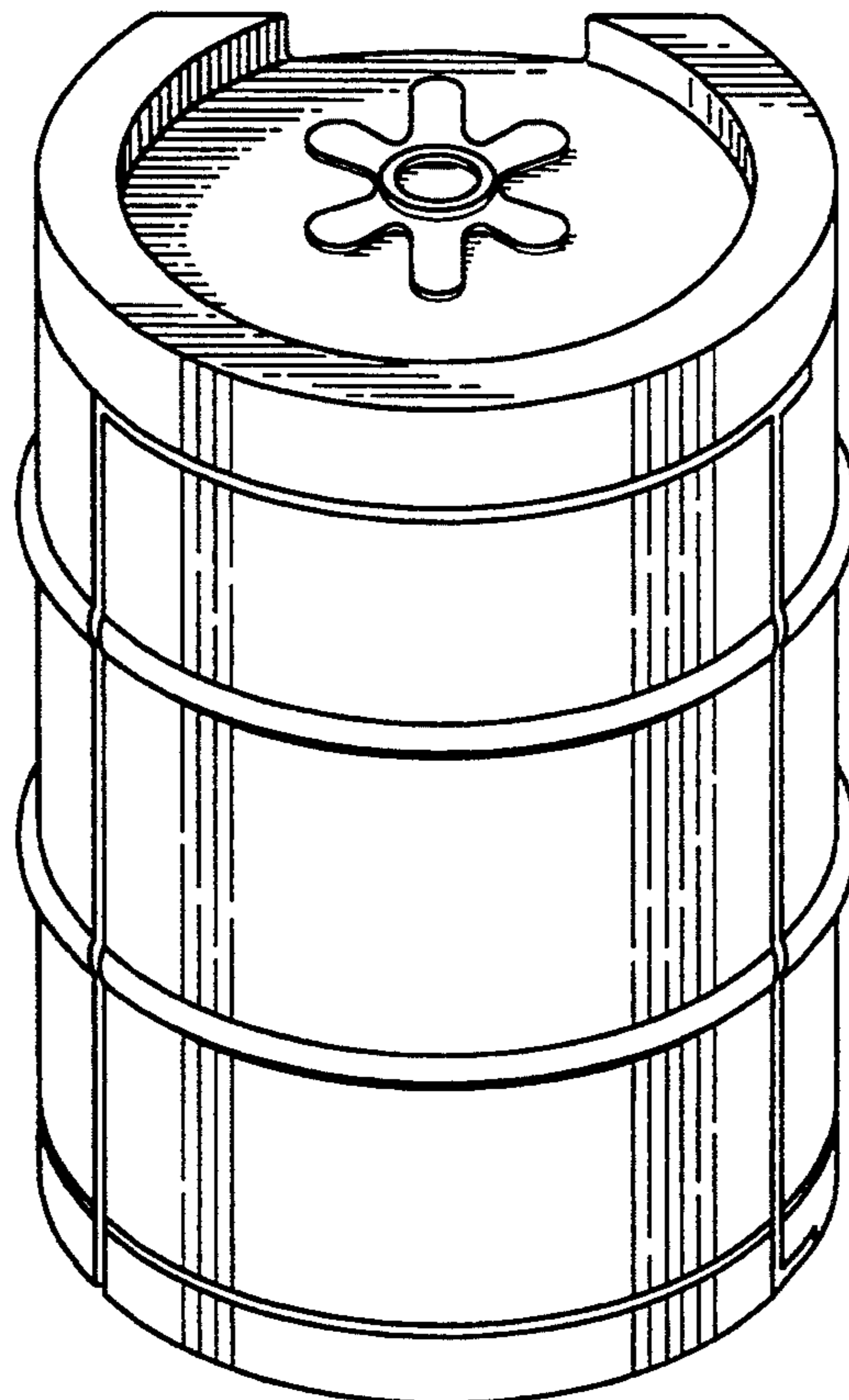
FIG. 3 is a left side elevational view thereof;

FIG. 4 is a front elevational view thereof;

FIG. 5 is a right side elevational view thereof;

FIG. 6 is a rear elevational view thereof; and,

FIG. 7 is a bottom view thereof.



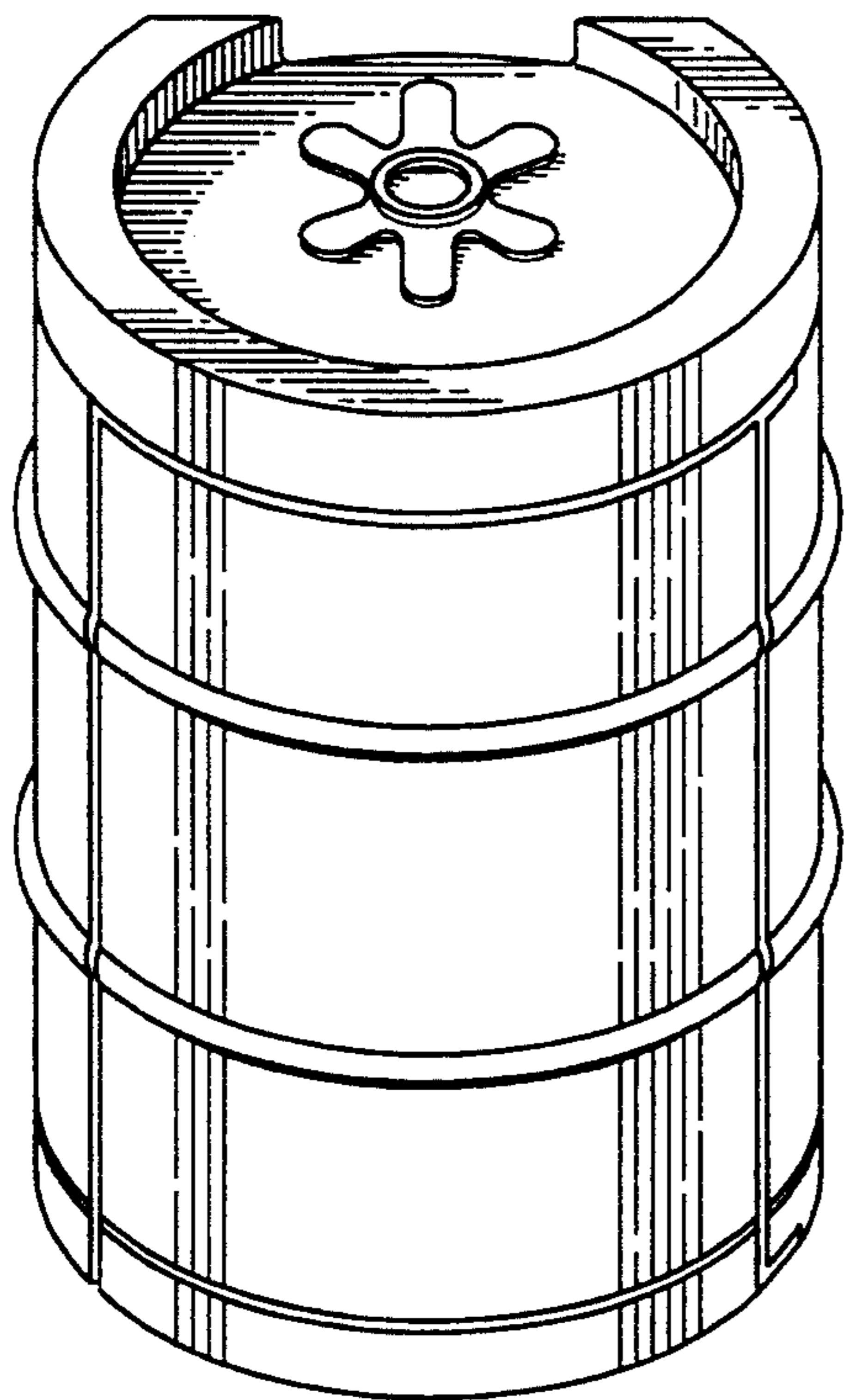


FIG. 1

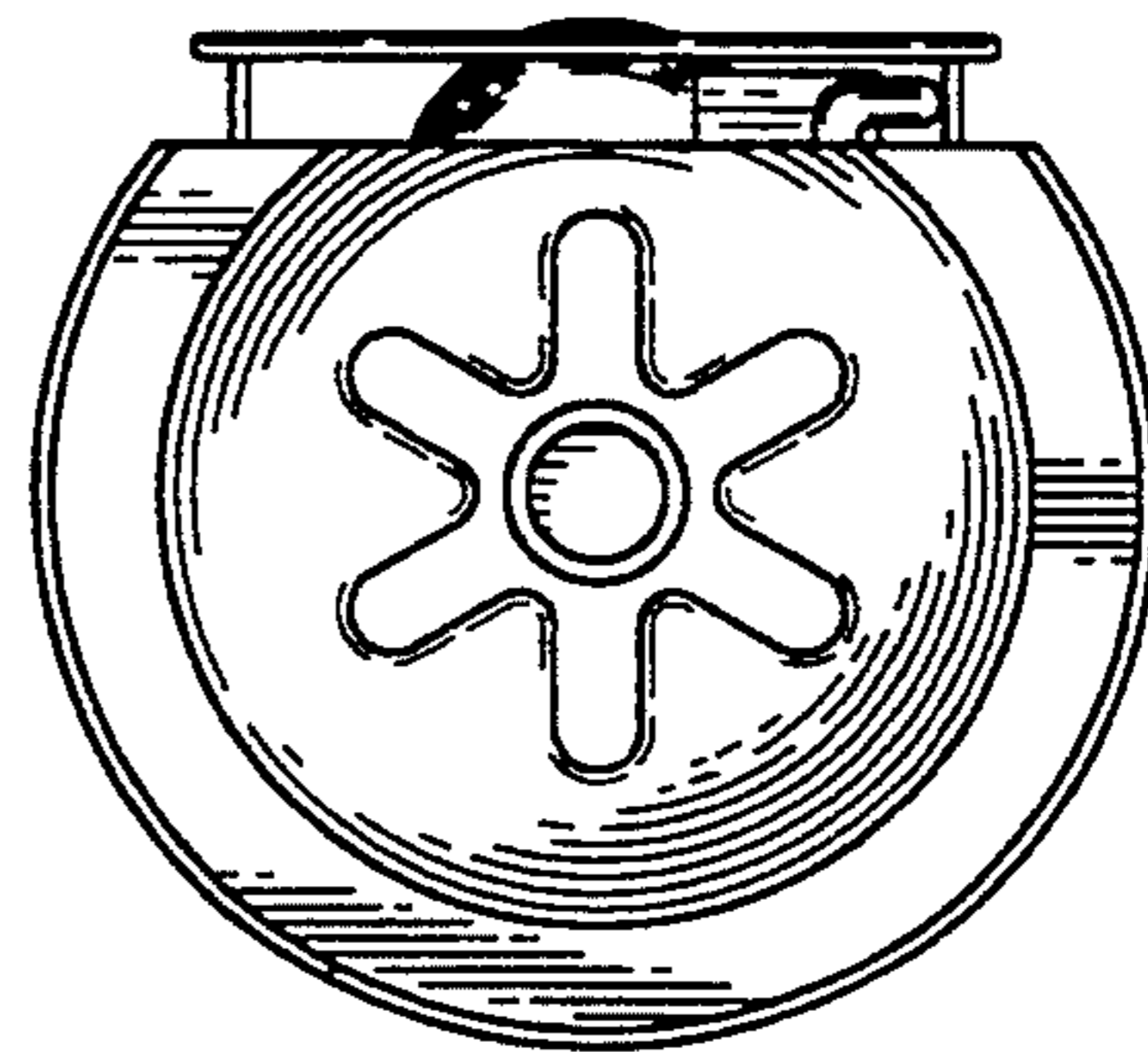


FIG. 2

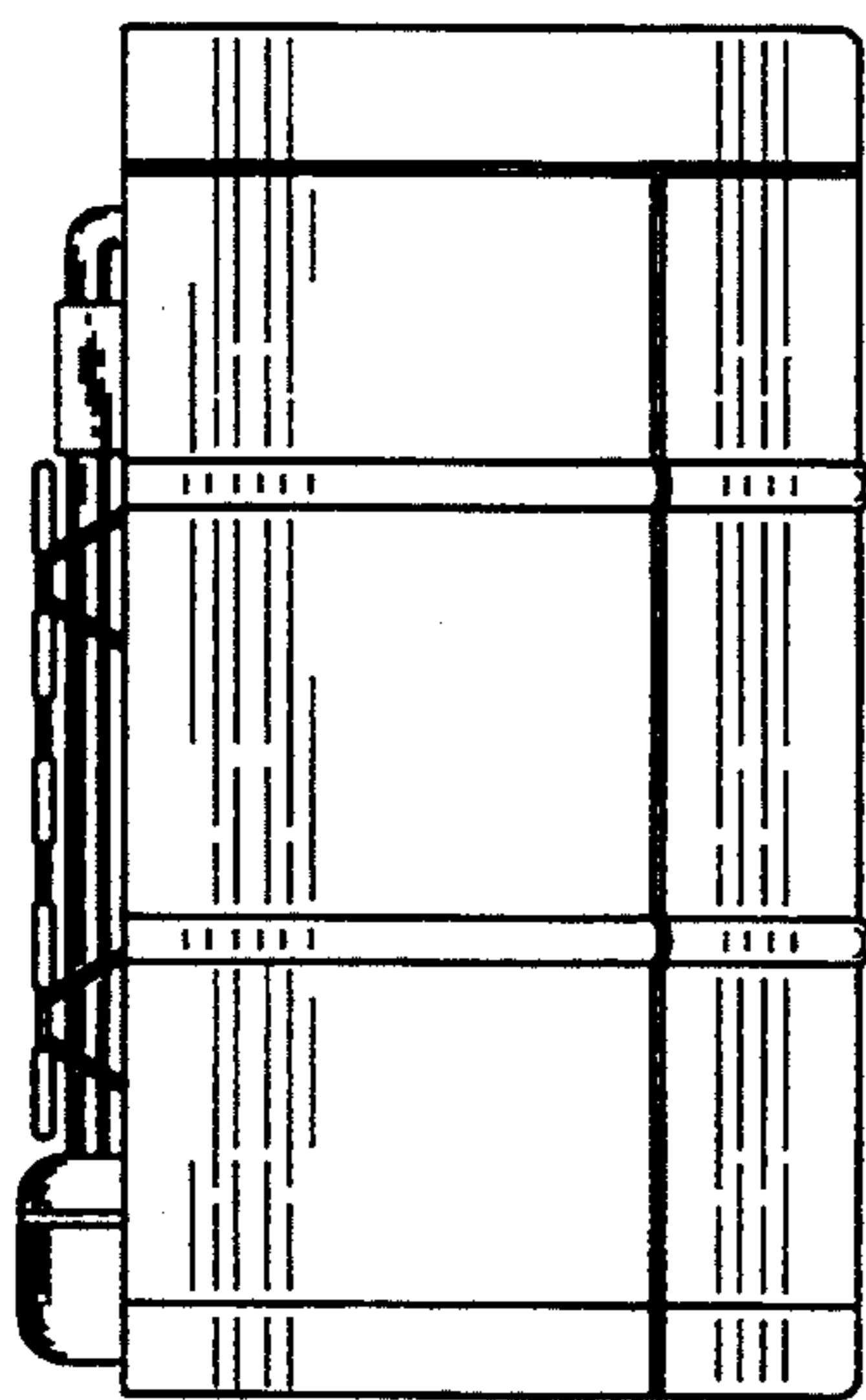


FIG. 3

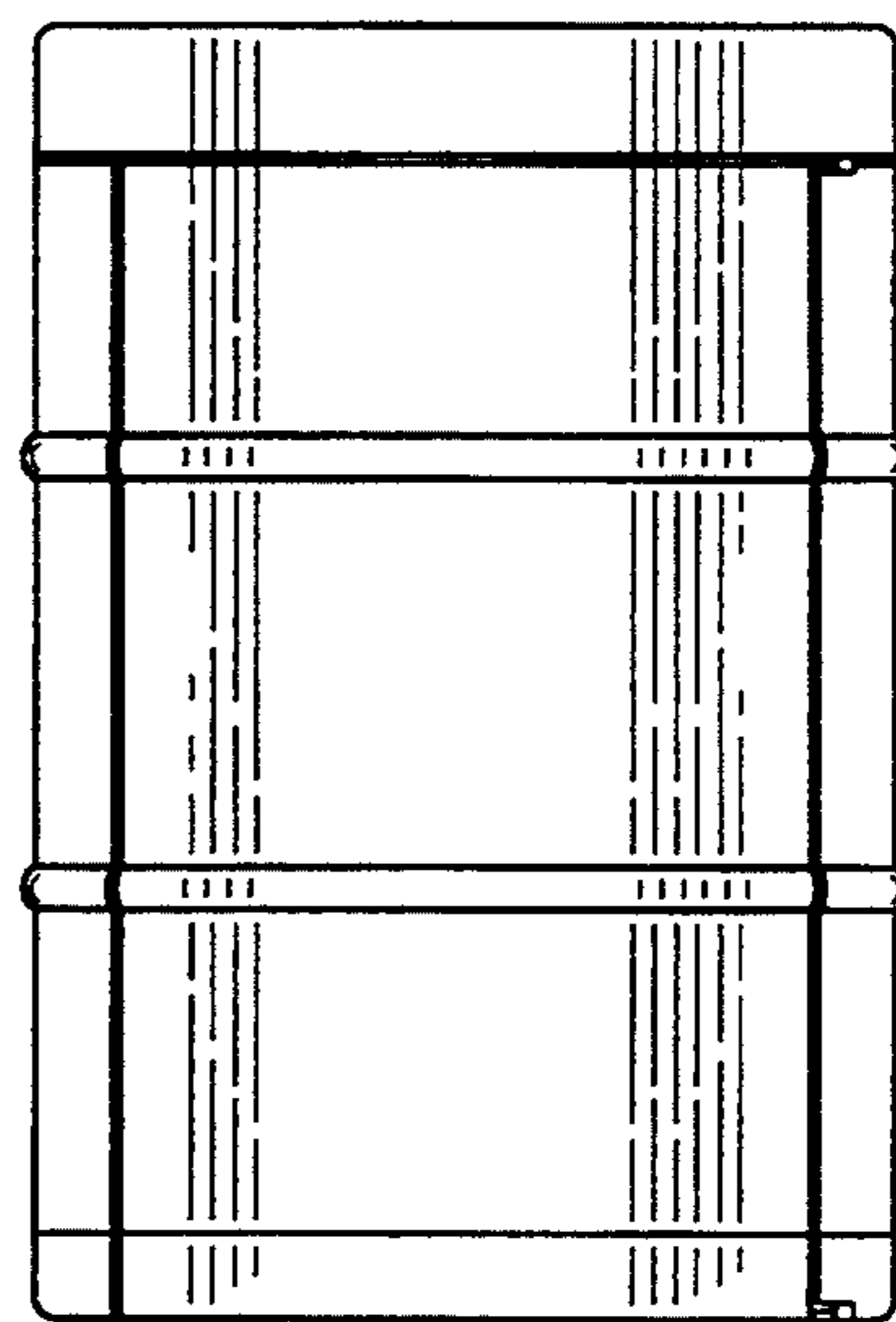


FIG. 4

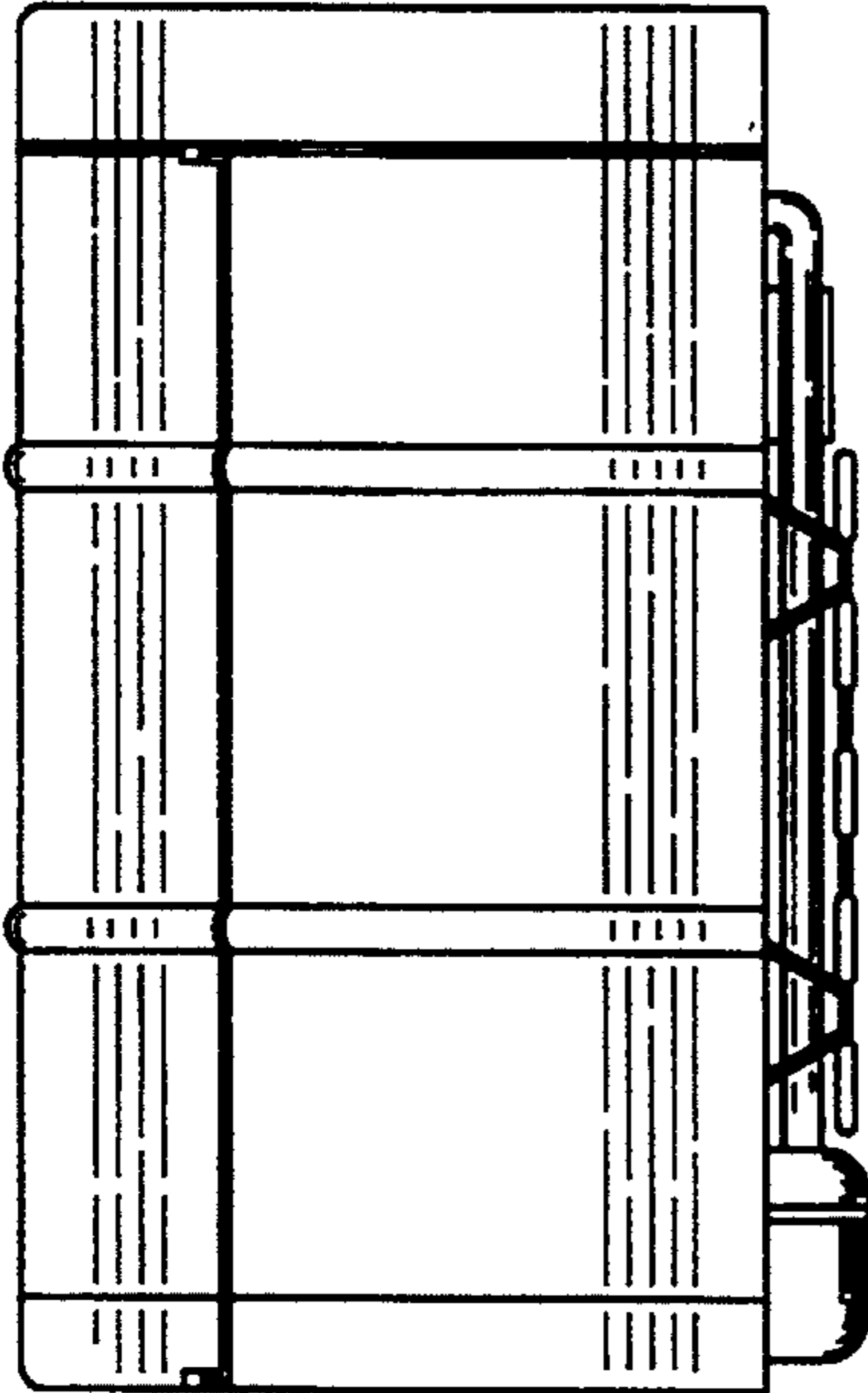


FIG. 5

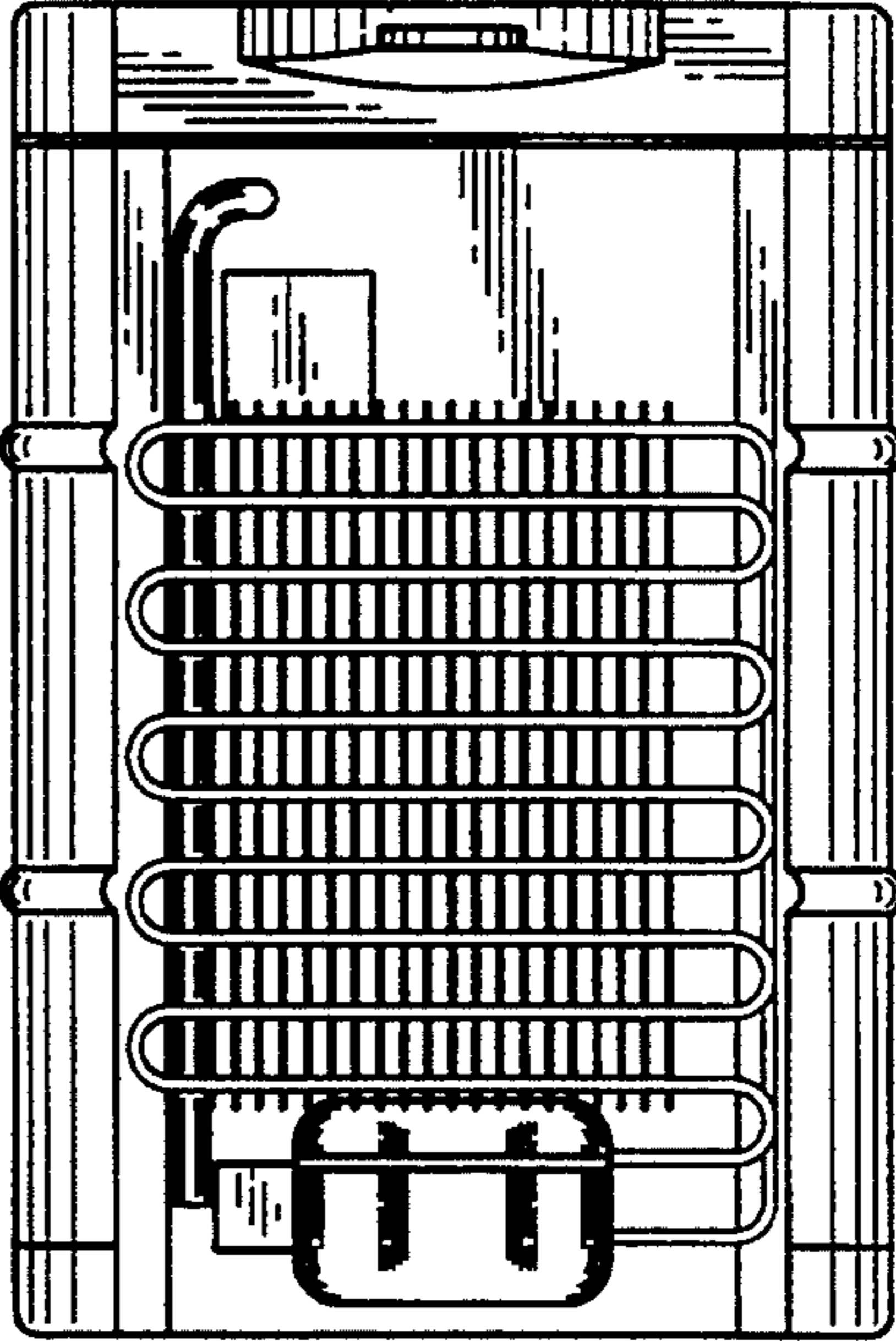


FIG. 6

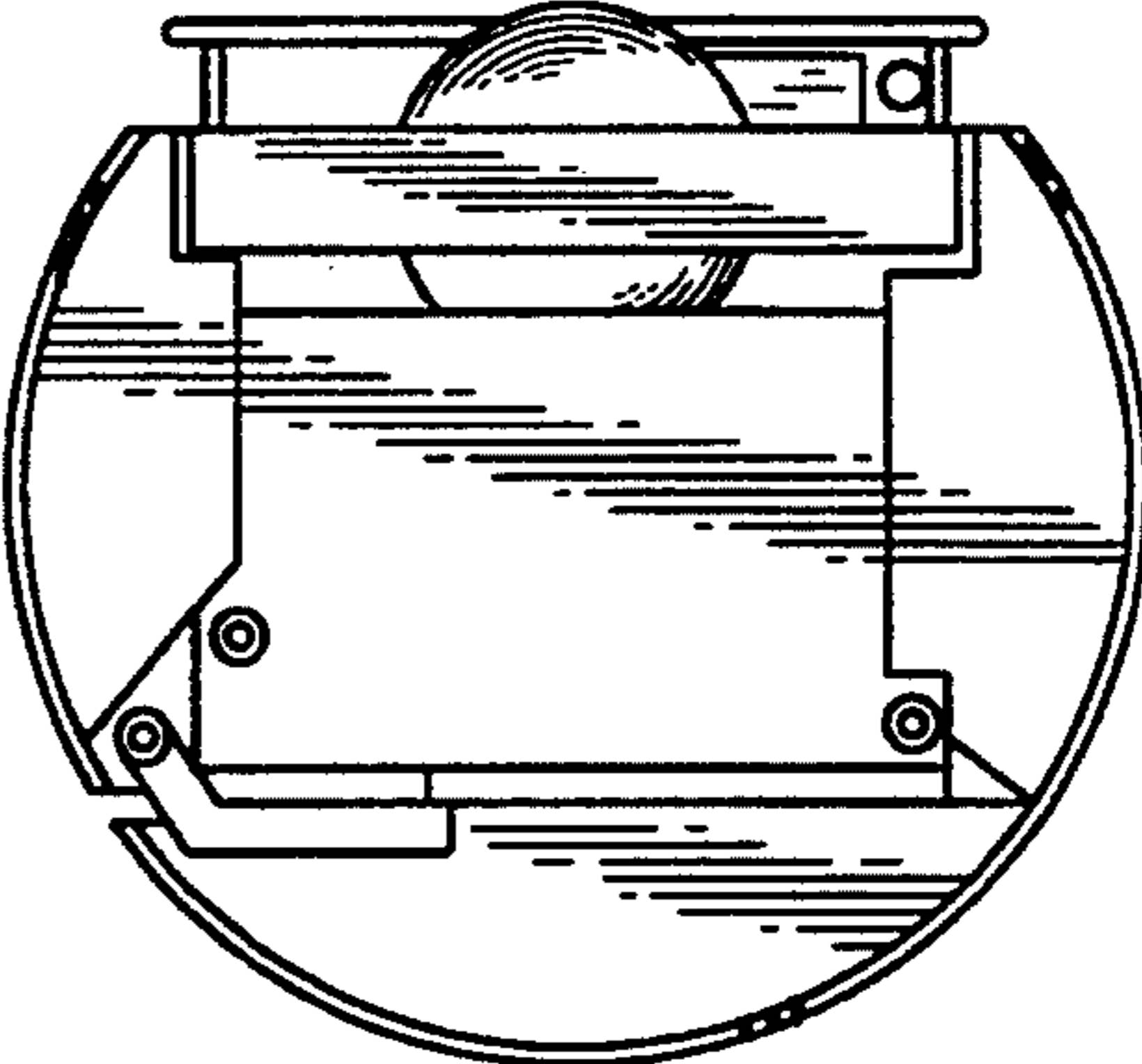


FIG. 7