



US00D352295S

United States Patent [19]
Morgan

[11] **Patent Number: Des. 352,295**

[45] **Date of Patent: ** Nov. 8, 1994**

[54] **PORTABLE AIR COMPRESSOR**
[75] **Inventor: Fredrick M. Morgan, Jackson, Tenn.**
[73] **Assignee: DeVilbiss Air Power Company, Jackson, Tenn.**
[**] **Term: 14 Years**
[21] **Appl. No.: 13,400**
[22] **Filed: Sep. 23, 1993**
[52] **U.S. Cl. D15/9**
[58] **Field of Search 417/234, 360; 248/645; D15/1-9.2; D26/38**

D. 293,585 1/1988 Morgan D15/9
D. 301,247 5/1989 Preusto D15/9
D. 301,887 6/1989 Price et al. D15/7
D. 327,891 7/1992 Morgan D15/9
D. 328,305 7/1992 Wong D15/9

Primary Examiner—Ralf T. Seifert
Attorney, Agent, or Firm—MacMillan, Sobanski & Todd

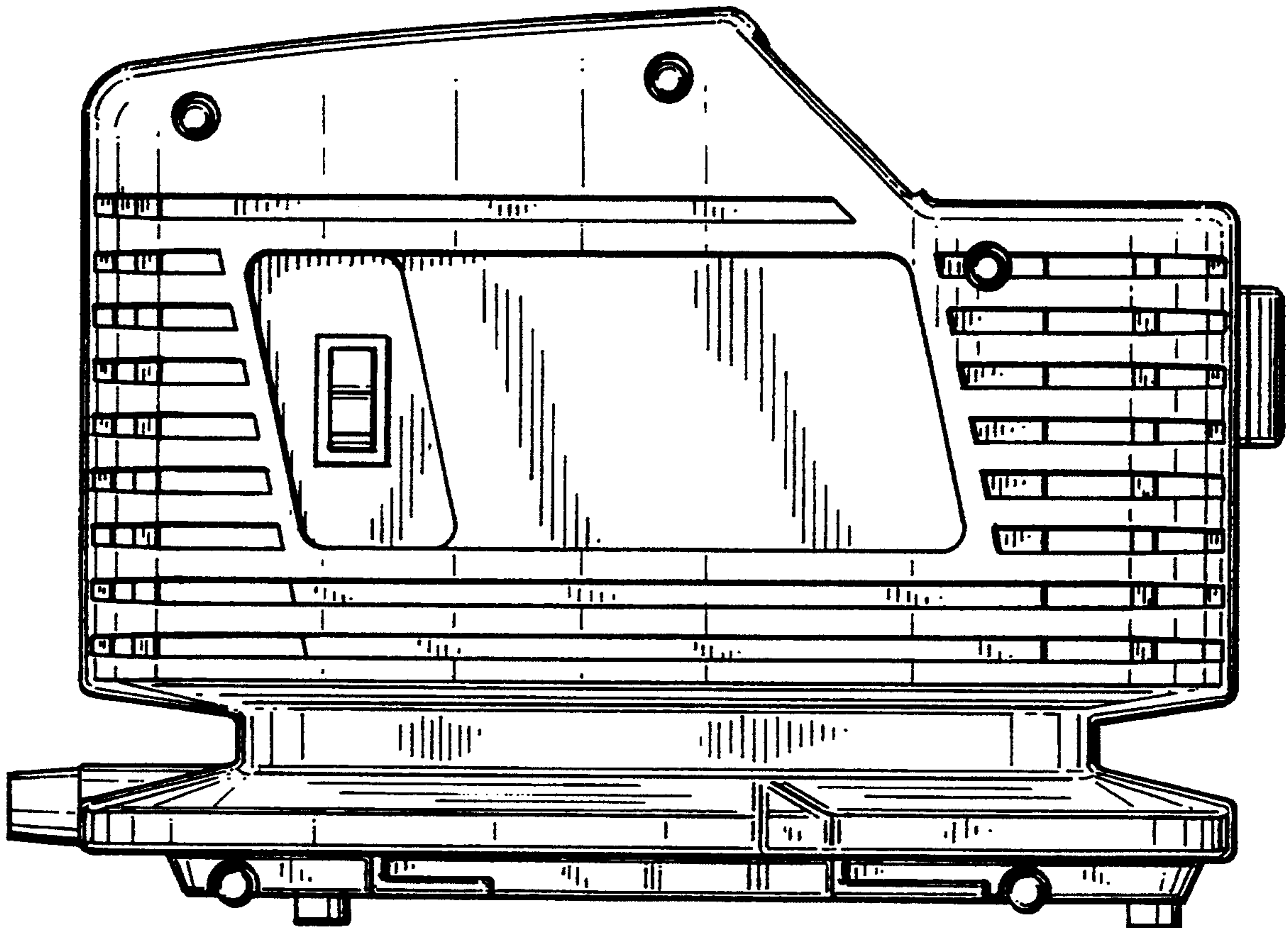
[57] **CLAIM**

The ornamental design for a portable air compressor, as shown.

DESCRIPTION

FIG. 1 is a left side elevational view of a portable air compressor showing my new design;
FIG. 2 is a rear elevational view thereof;
FIG. 3 is a right side elevational view thereof;
FIG. 4 is a front elevational view thereof;
FIG. 5 is a top plan view thereof; and,
FIG. 6 is a bottom plan view thereof.

[56] **References Cited**
U.S. PATENT DOCUMENTS
D. 281,609 12/1985 Herbst D15/9
D. 289,297 4/1987 Liu D15/7
D. 293,446 12/1987 Morgan D15/9



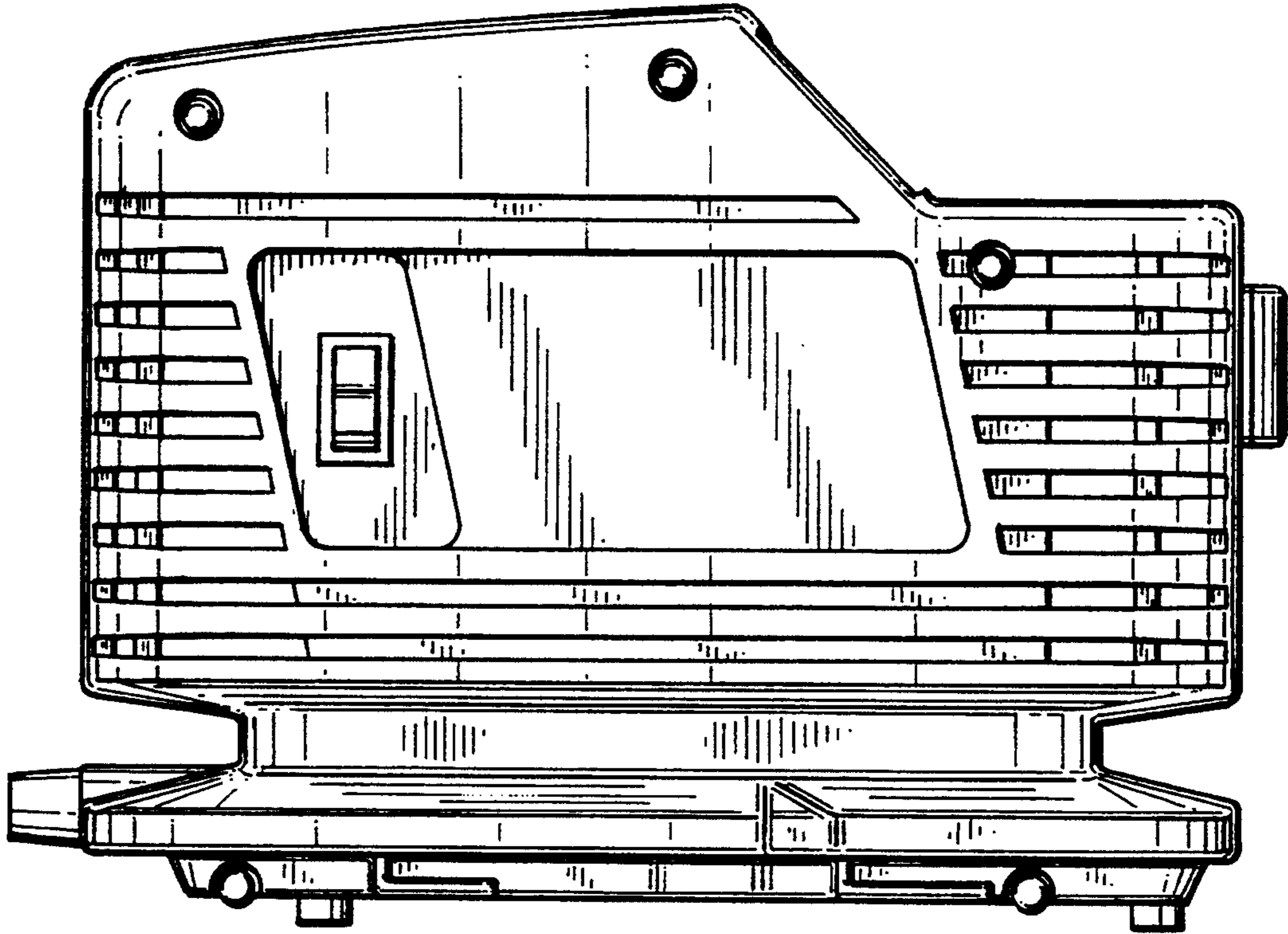


FIG. 1

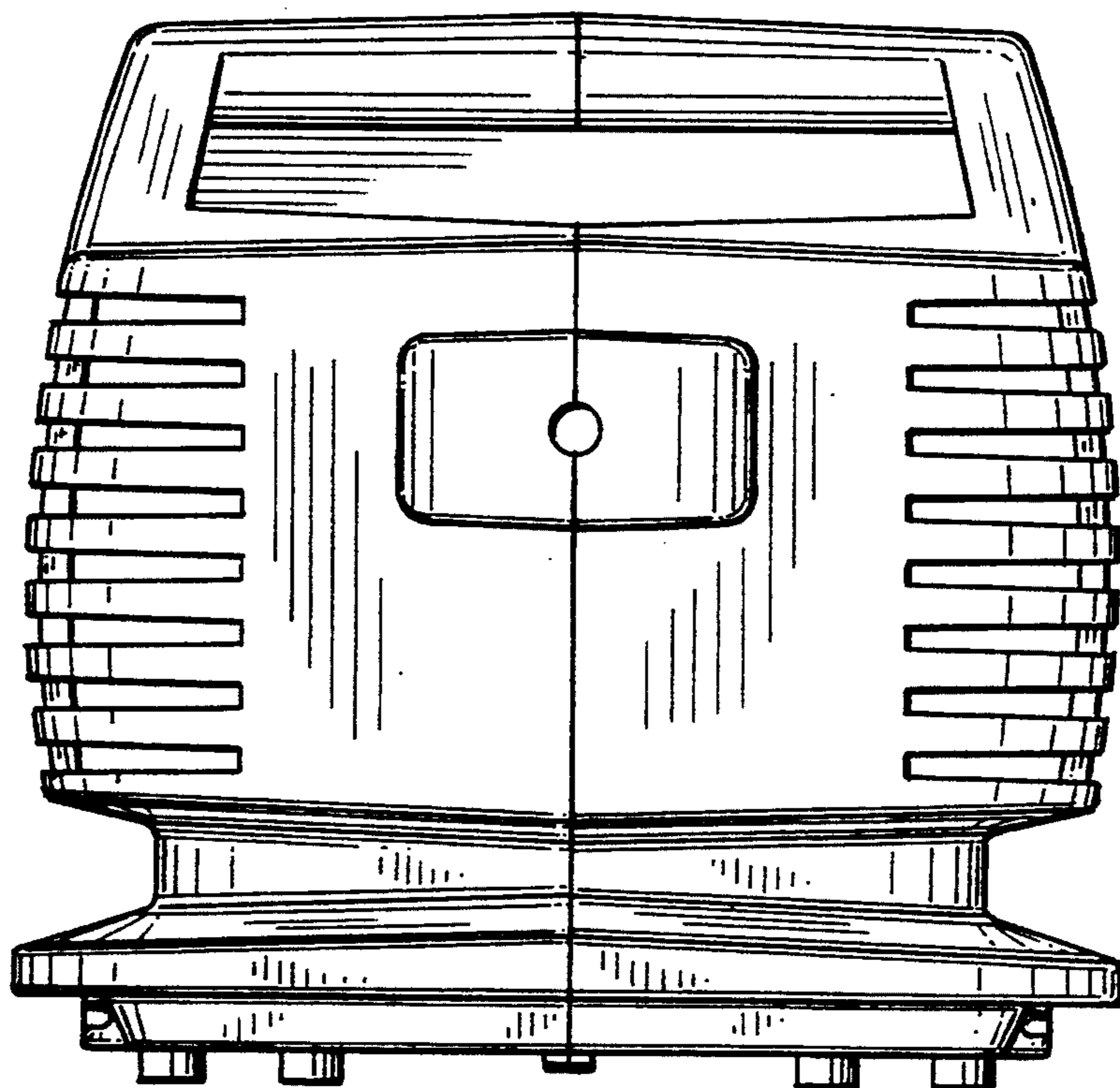


FIG. 2

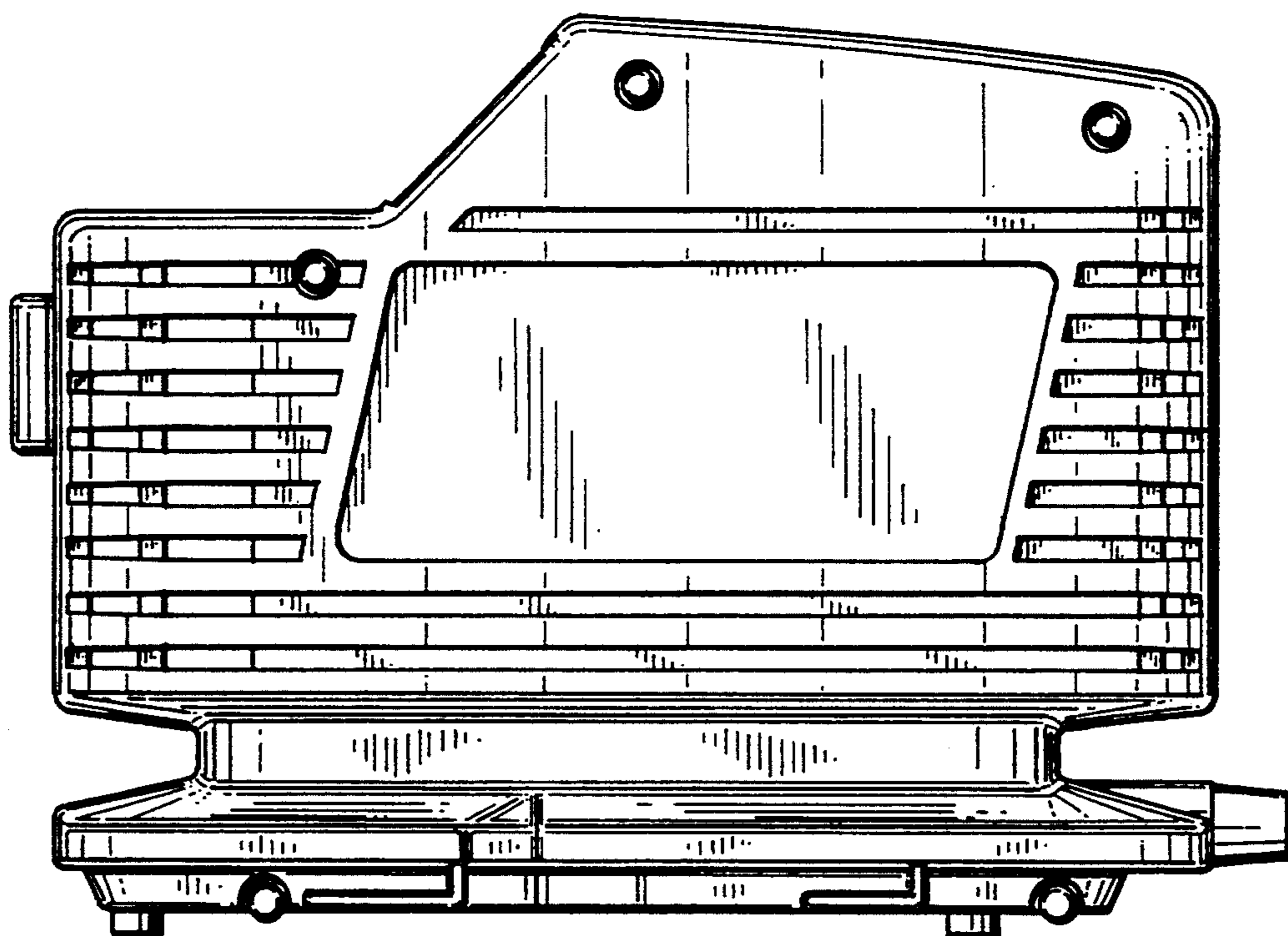


FIG. 3

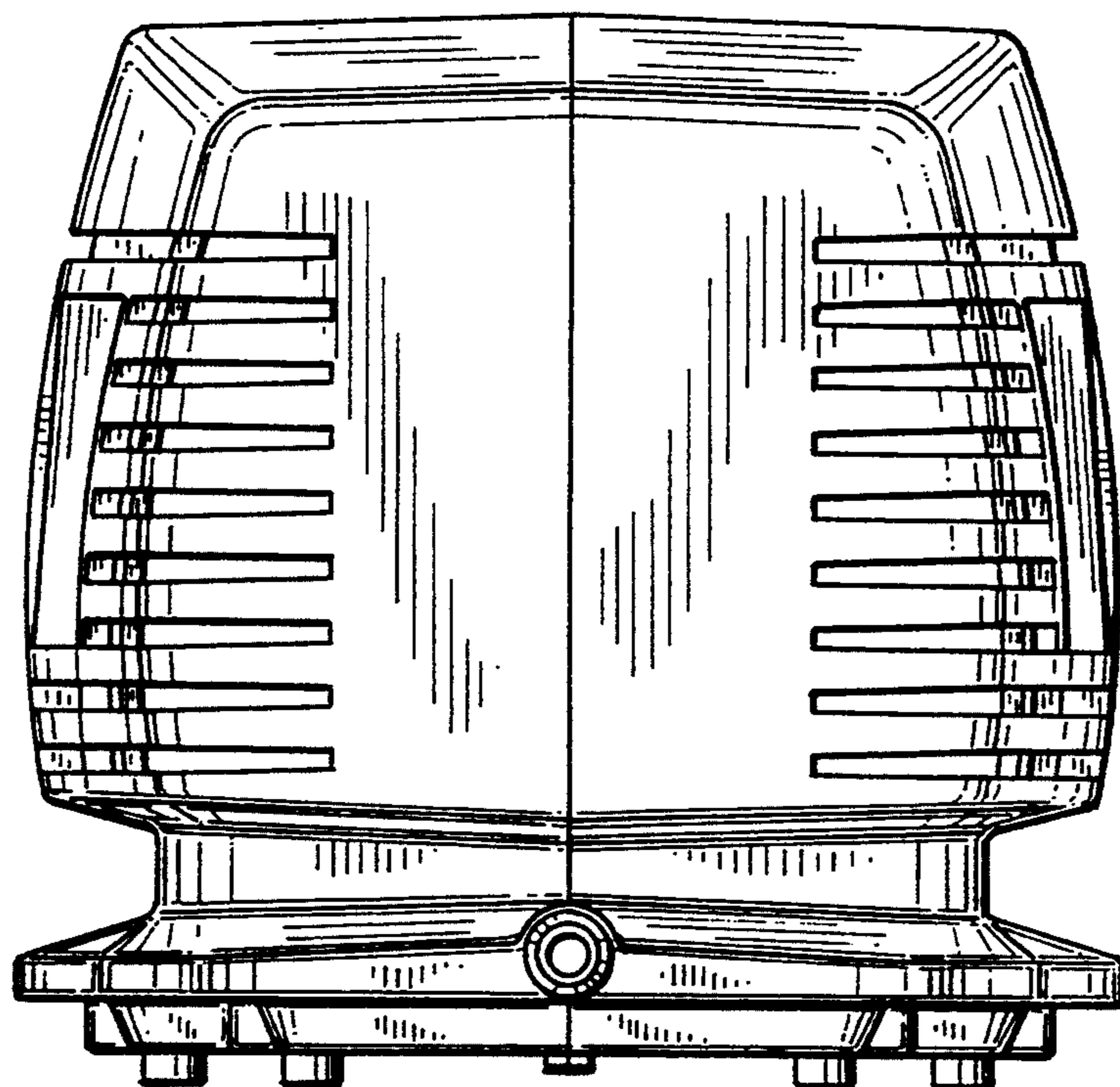


FIG. 4

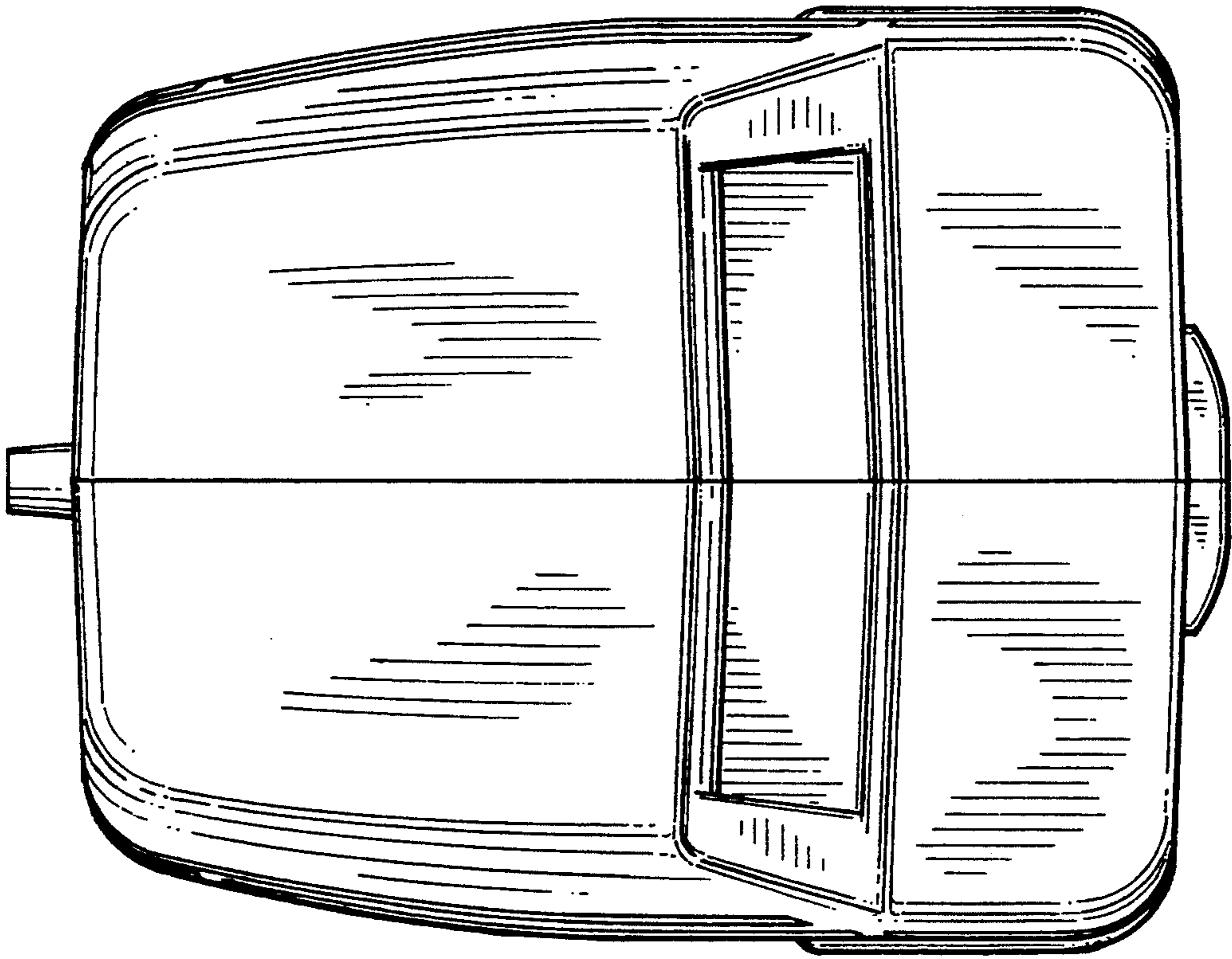


FIG. 5

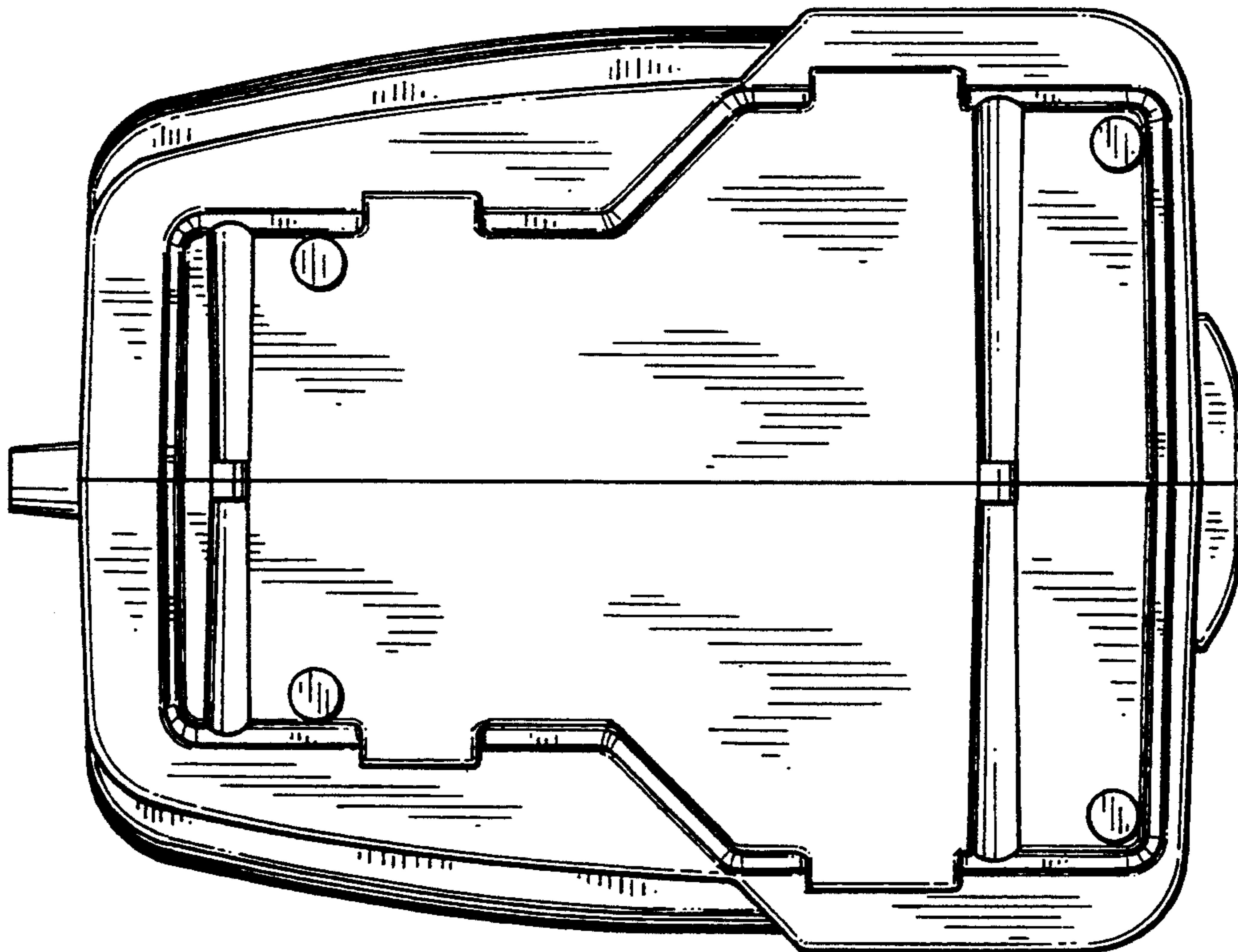


FIG. 6