



US00D352294S

United States Patent [19] Morgan

[11] Patent Number: **Des. 352,294**
[45] Date of Patent: **** Nov. 8, 1994**

[54] **AIR COMPRESSOR**
[75] Inventor: **Fredrick M. Morgan, Jackson, Tenn.**
[73] Assignee: **DeVilbiss Air Power Company, Jackson, Tenn.**
[**] Term: **14 Years**
[21] Appl. No.: **14,130**
[22] Filed: **Oct. 13, 1993**
[52] U.S. Cl. **D15/9**
[58] Field of Search **417/234, 360; 248/645; D15/1-9.2; D26/39**

D. 301,247 5/1989 Preusto D15/9
D. 301,887 6/1989 Price et al. D15/7
D. 327,891 7/1992 Morgan D15/9
D. 328,305 7/1992 Wong D15/9
4,722,673 2/1988 Grime et al. 417/360
5,054,740 10/1991 Wheeler 248/675

Primary Examiner—Ralf T. Seifert
Attorney, Agent, or Firm—MacMillan, Sobanski & Todd

[57] CLAIM

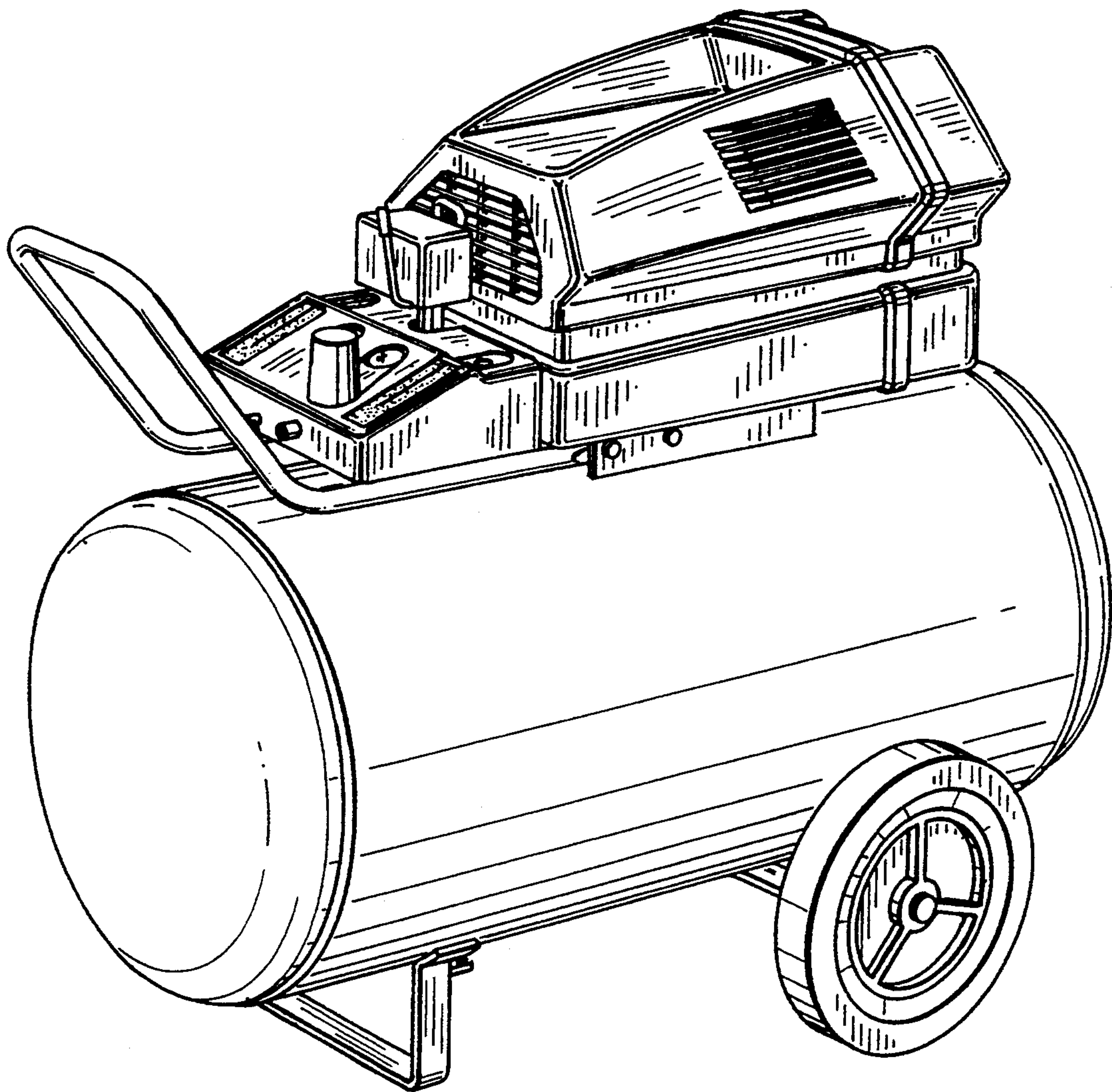
The ornamental design for an air compressor, as shown.

DESCRIPTION

FIG. 1 is a right side perspective view of an air compressor showing my new design;
FIG. 2 is a right side elevational view thereof;
FIG. 3 is a front end elevational view thereof;
FIG. 4 is a left side elevational view thereof;
FIG. 5 is a rear end elevational view thereof;
FIG. 6 is a top plan view thereof; and,
FIG. 7 is a bottom plan view thereof.

[56] References Cited U.S. PATENT DOCUMENTS

D. 281,609 12/1985 Herbst D15/9
D. 293,446 12/1987 Morgan D15/9
D. 293,584 1/1988 Morgan D15/9
D. 293,585 1/1988 Morgan D15/9
D. 293,682 1/1988 Liou D15/9



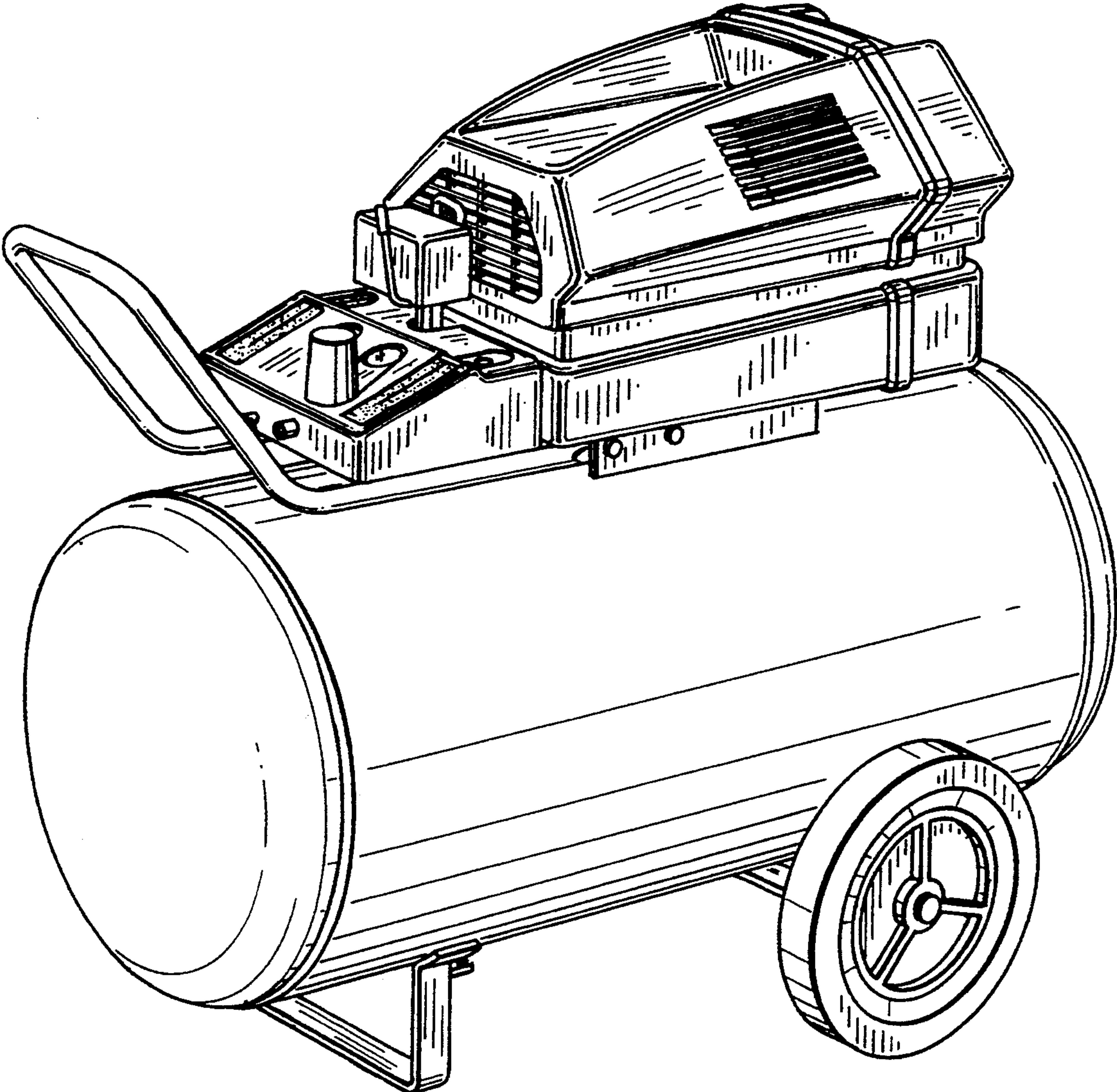


FIG. 1

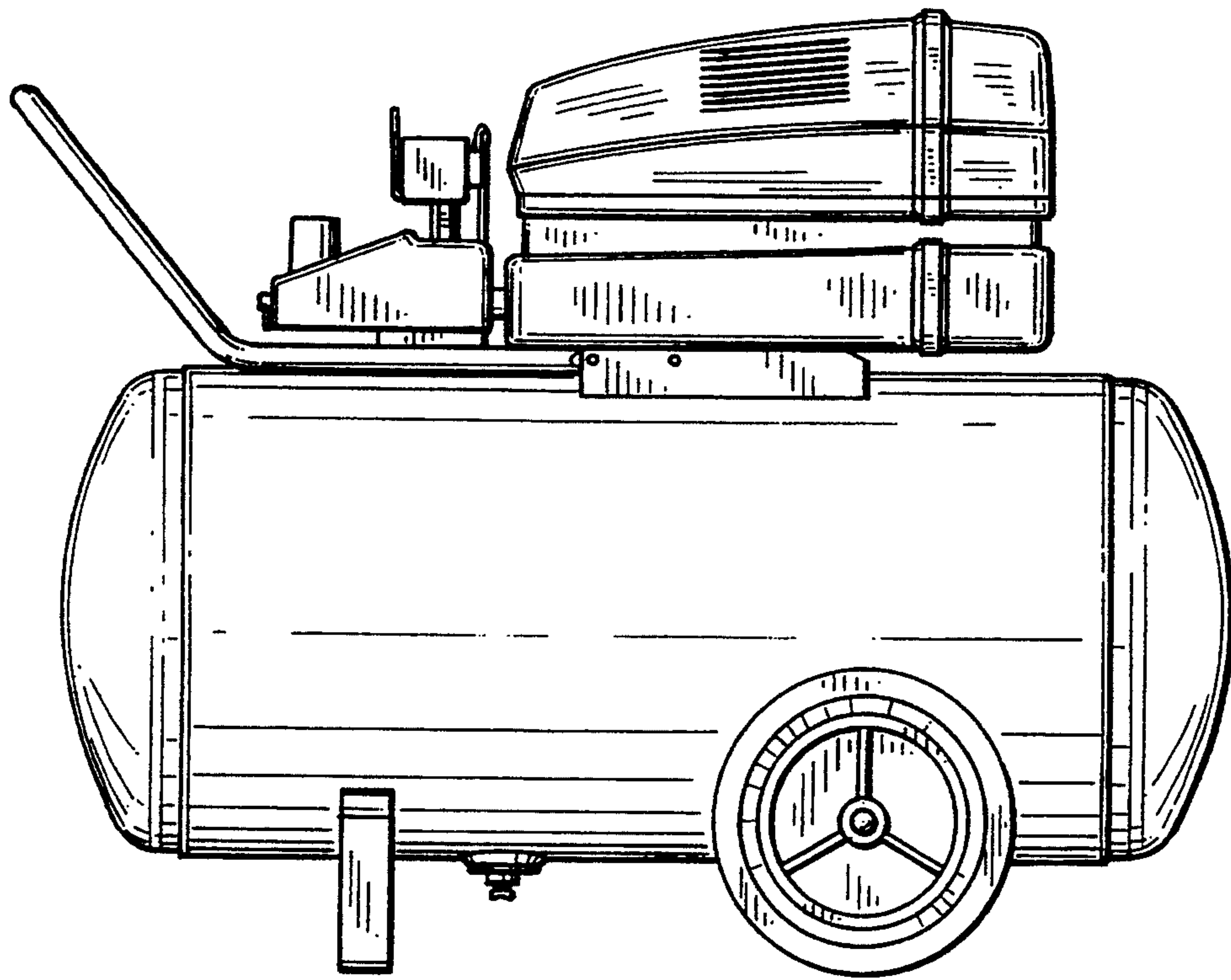


FIG. 2

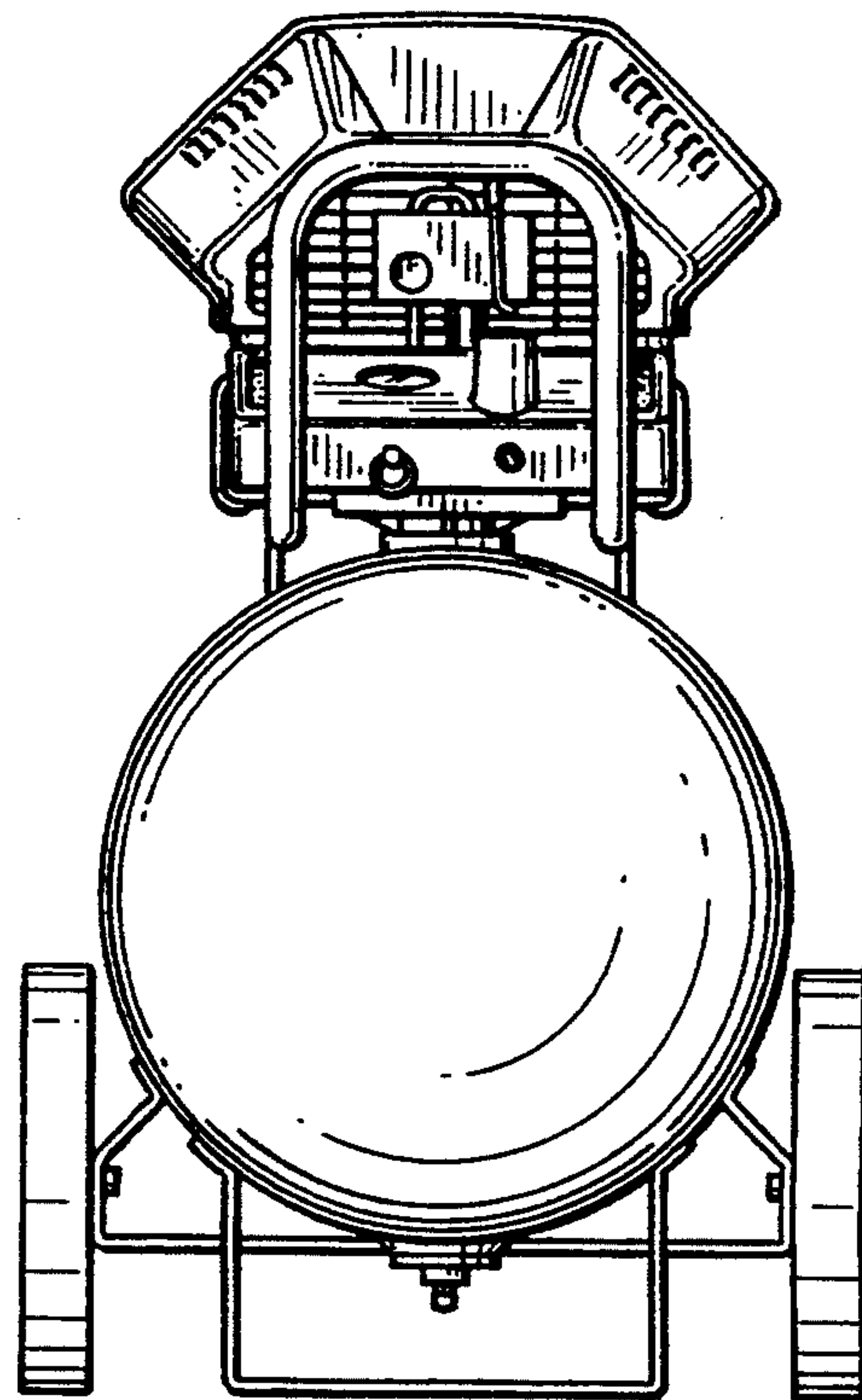


FIG. 3

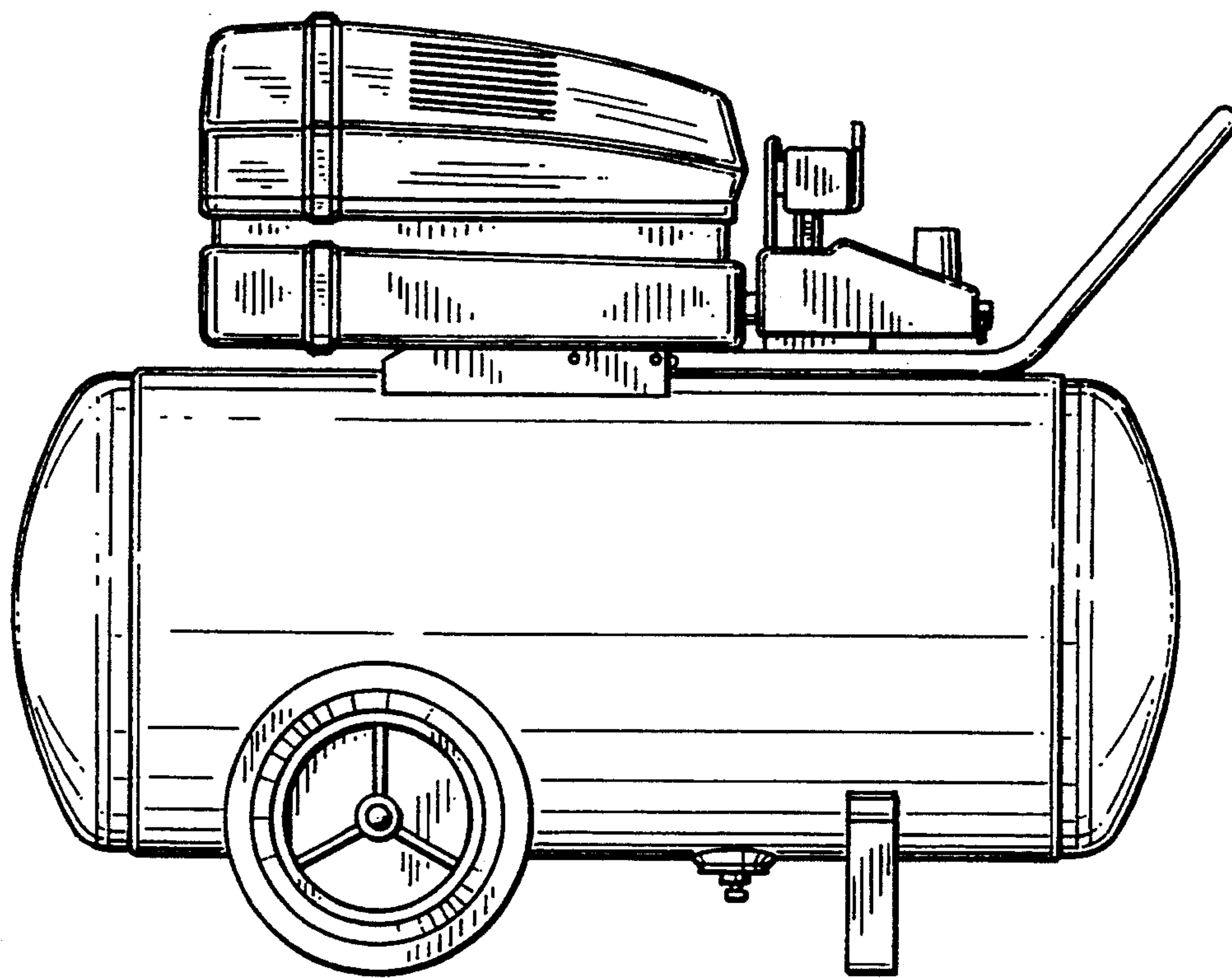


FIG. 4

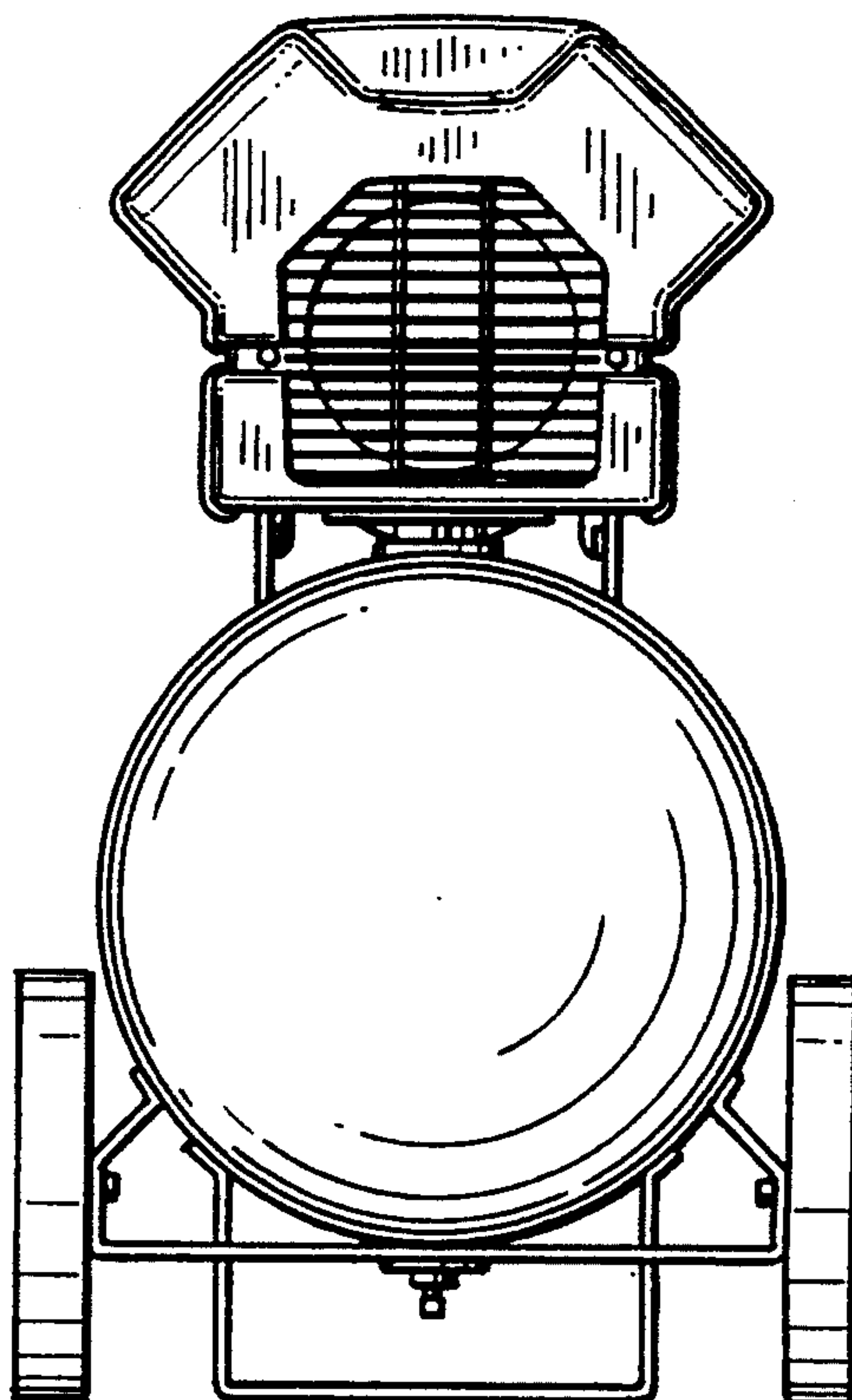


FIG. 5

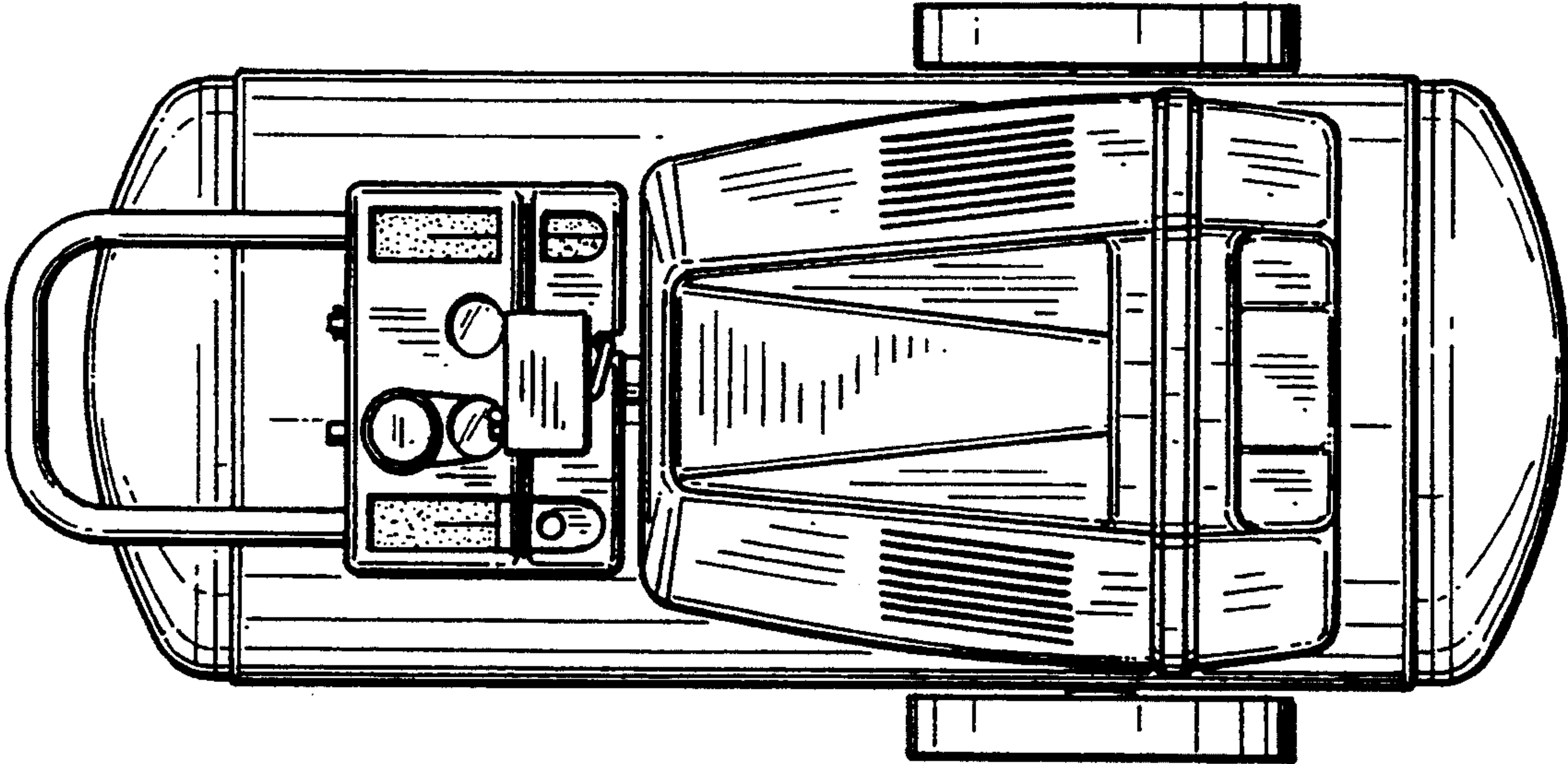


FIG. 6

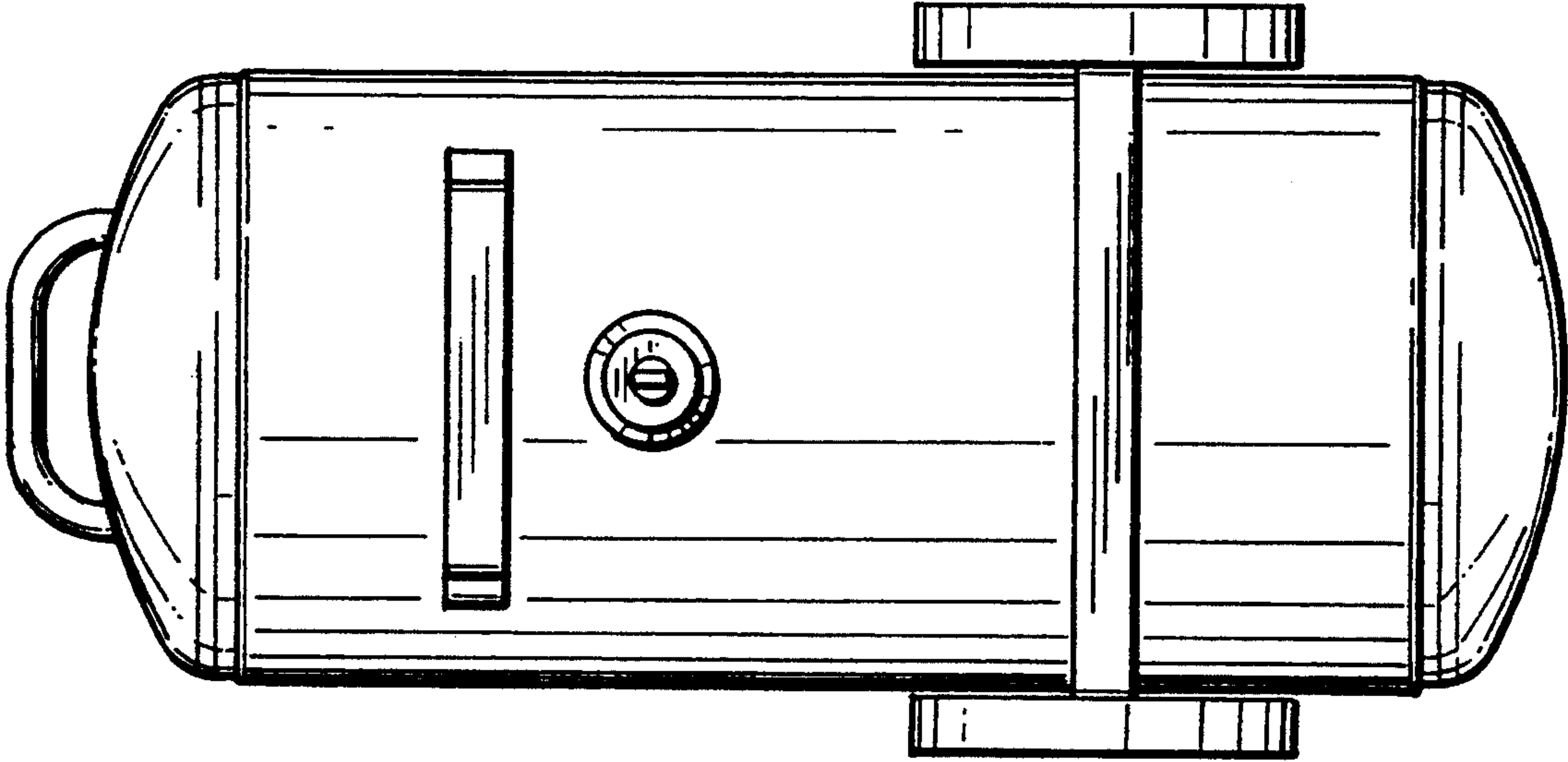


FIG. 7