



US00D352293S

United States Patent [19]

Morgan

[11] Patent Number: **Des. 352,293**

[45] Date of Patent: **** Nov. 8, 1994**

[54] **AIR COMPRESSOR**

[75] Inventor: **Fredrick M. Morgan, Jackson, Tenn.**

[73] Assignee: **DeVilbiss Air Power Company, Jackson, Tenn.**

[**] Term: **14 Years**

[21] Appl. No.: **14,116**

[22] Filed: **Oct. 13, 1993**

[52] U.S. Cl. **D15/9; D15/7**

[58] Field of Search **417/234, 360; 248/645; D15/1-9.2; D26/38**

D. 301,247 5/1989 Prevosto D15/9

D. 301,887 6/1989 Price et al. D15/7

D. 327,891 7/1992 Morgan D15/9

D. 328,305 7/1992 Wong D15/9

4,722,673 2/1988 Grime et al. 417/360

5,054,740 10/1991 Wheeler 248/675

Primary Examiner—Ralf T. Seifert
Attorney, Agent, or Firm—MacMillan, Sobanski & Todd

[57] CLAIM

The ornamental design for an air compressor, as shown.

DESCRIPTION

FIG. 1 is a right side perspective view of an air compressor showing my new design;
 FIG. 2 is a right side elevational view thereof;
 FIG. 3 is a front end elevational view thereof;
 FIG. 4 is a left side elevational view thereof;
 FIG. 5 is a rear end elevational view thereof;
 FIG. 6 is a top plan view thereof; and,
 FIG. 7 is a bottom plan view thereof.

[56] **References Cited**

U.S. PATENT DOCUMENTS

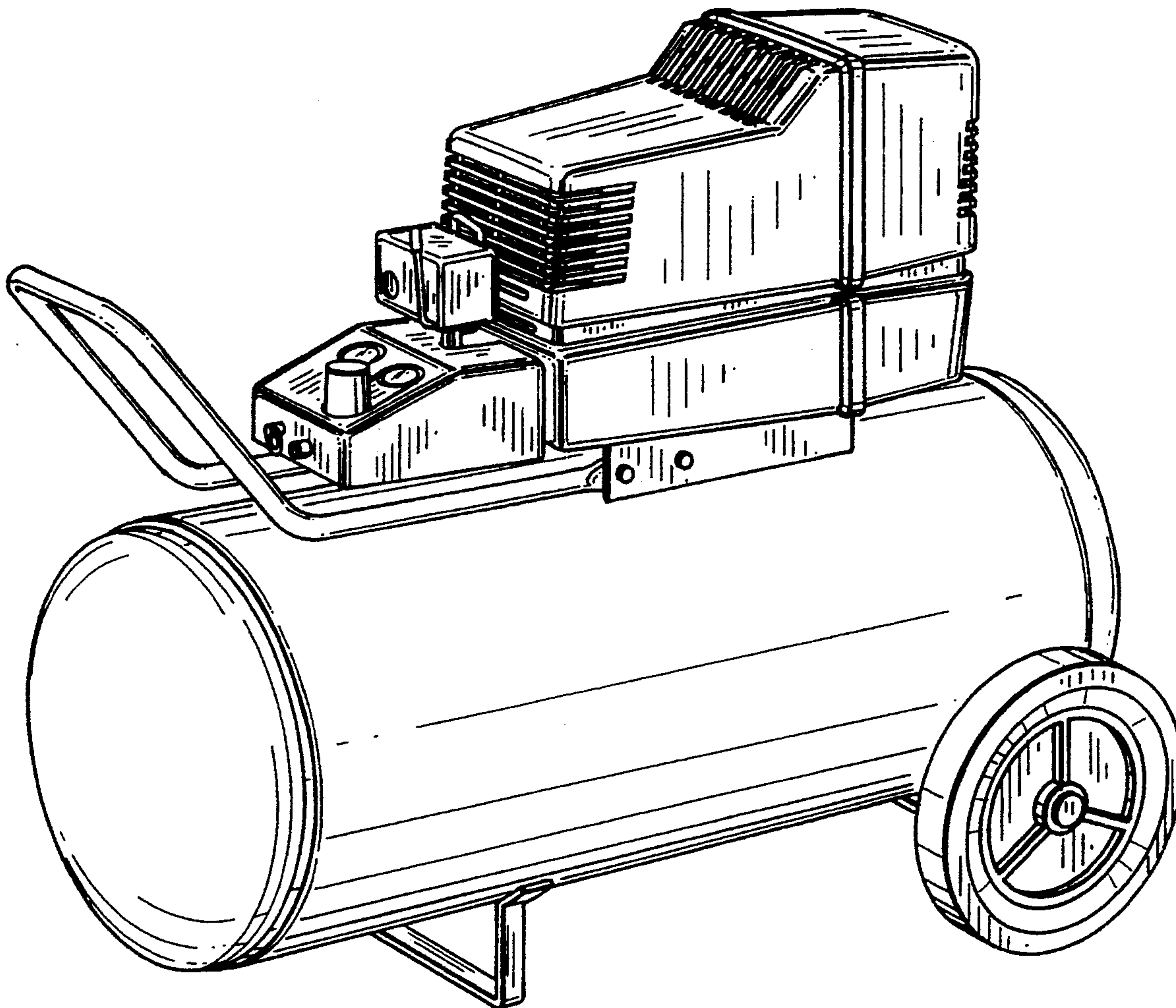
D. 281,609 12/1985 Herbst D15/9

D. 293,446 12/1987 Morgan D15/9

D. 293,584 1/1988 Morgan D15/9

D. 293,585 1/1988 Morgan D15/9

D. 293,682 1/1988 Liou D15/9



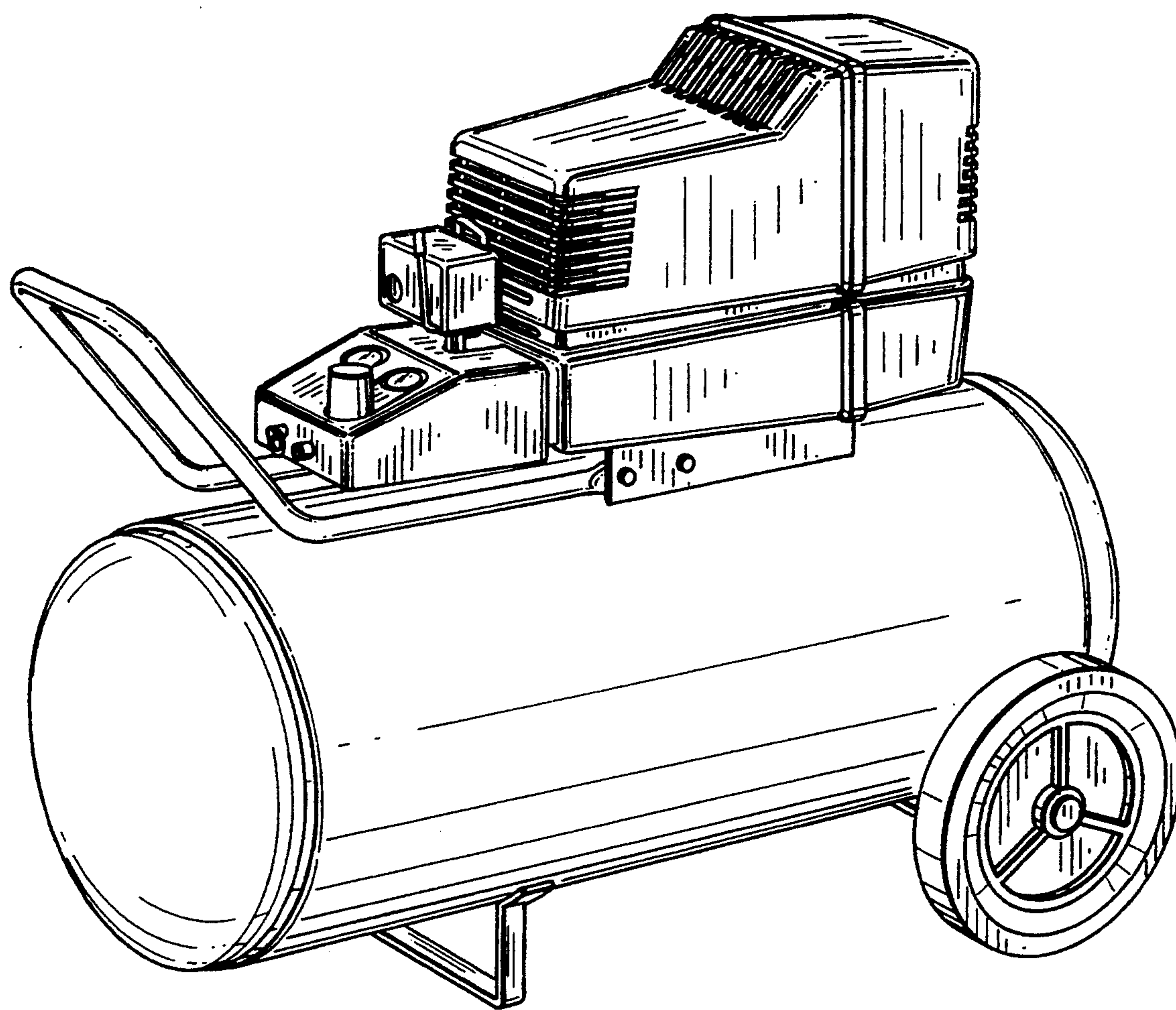


FIG. 1

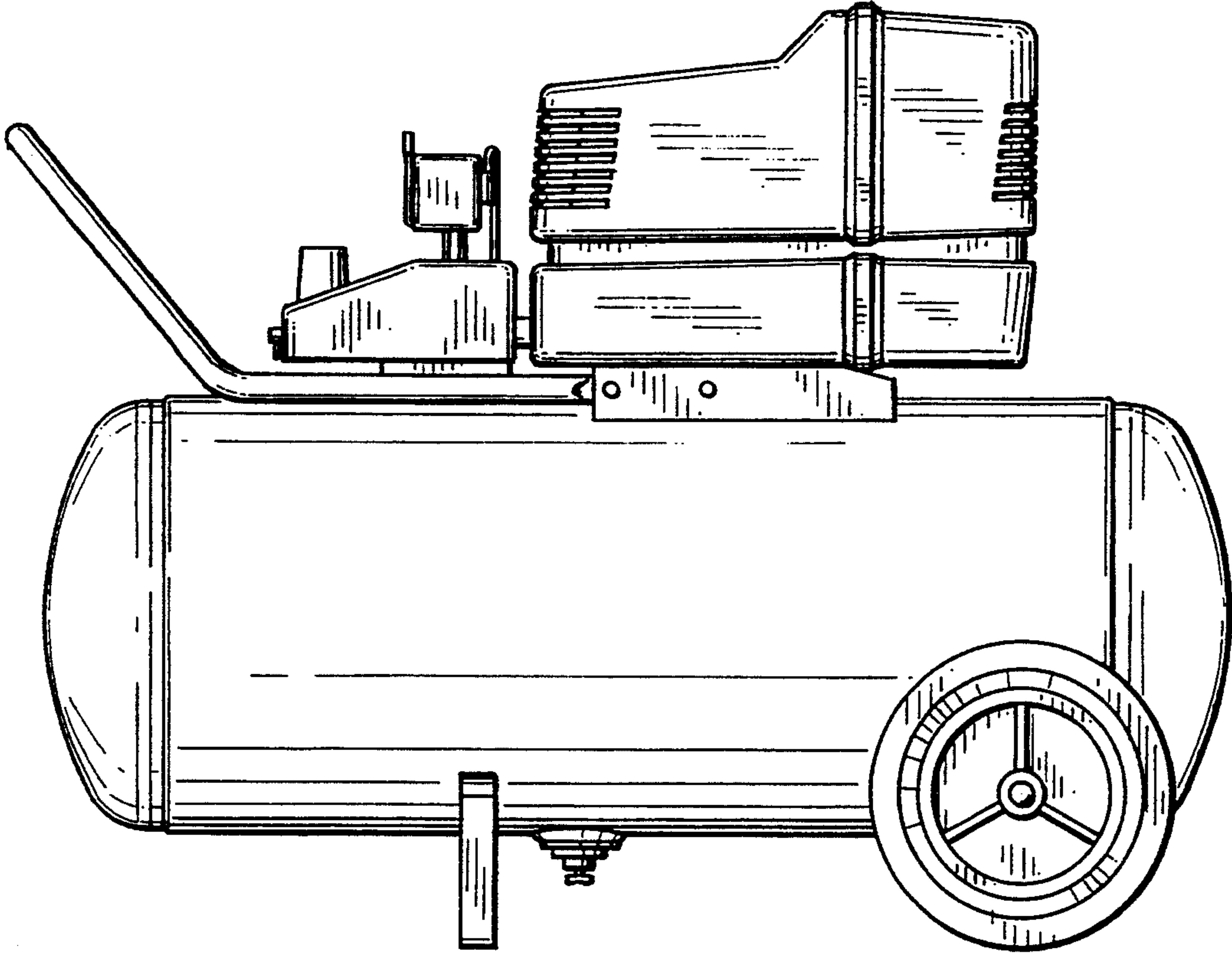


FIG. 2

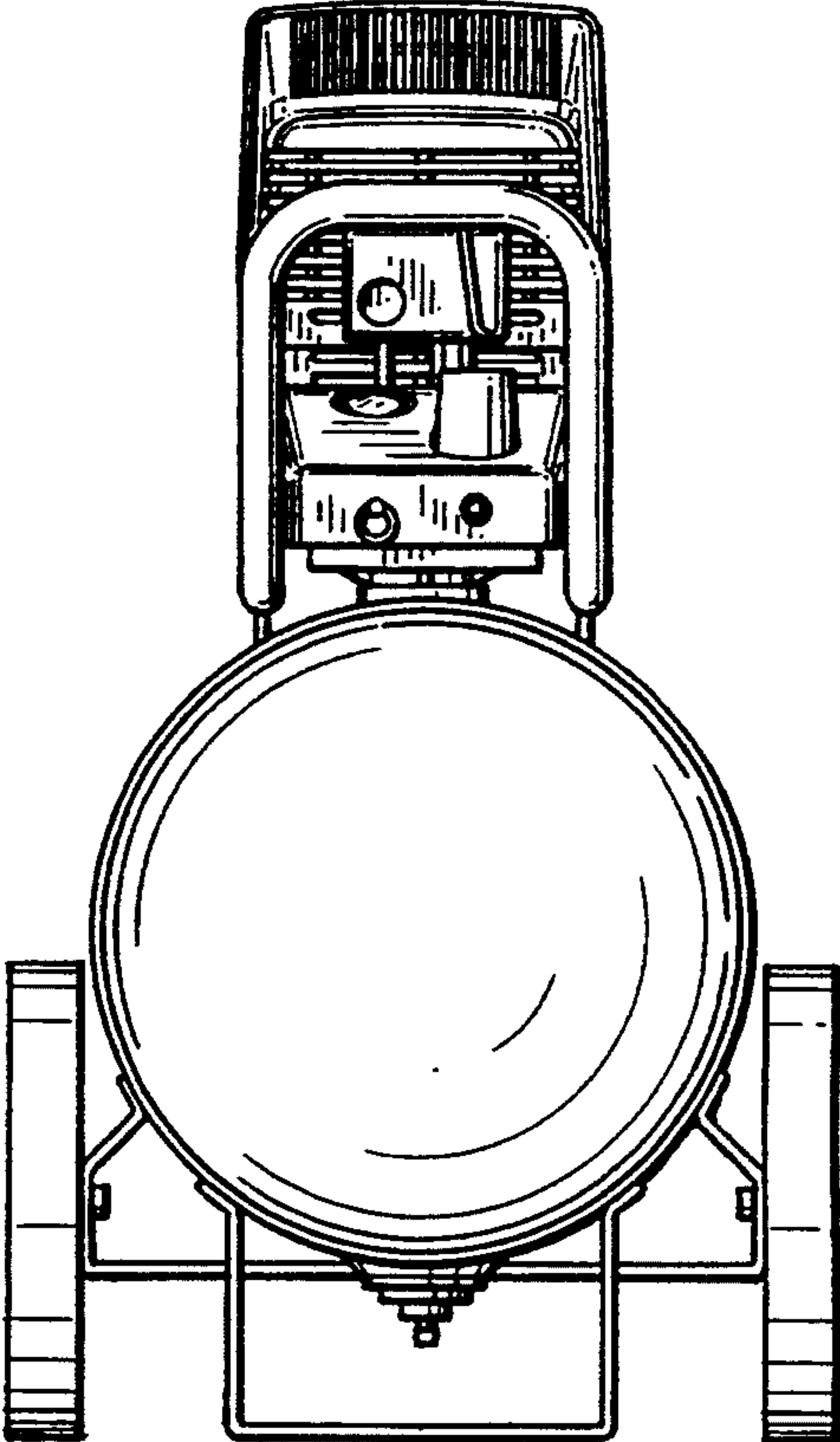


FIG. 3

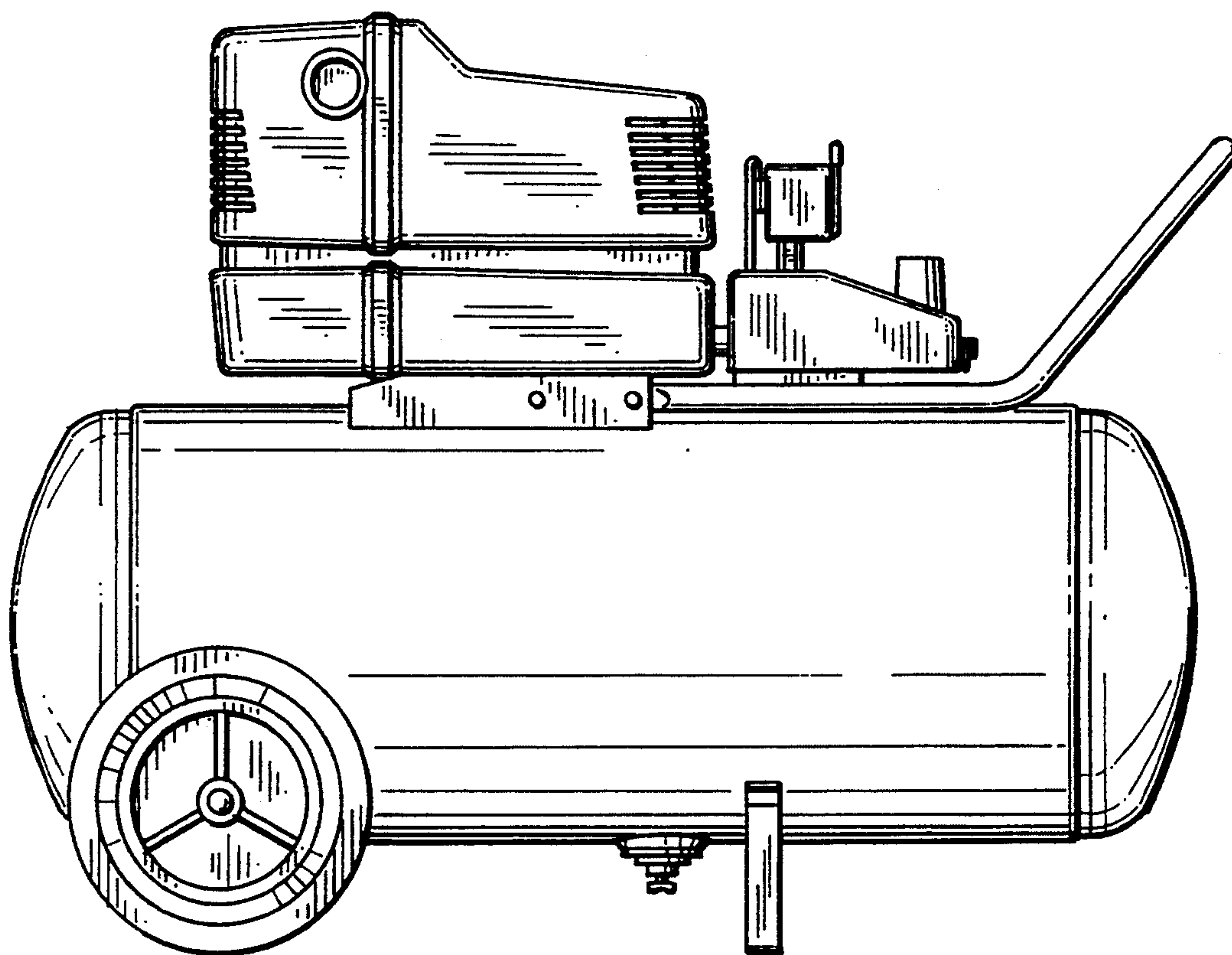


FIG. 4

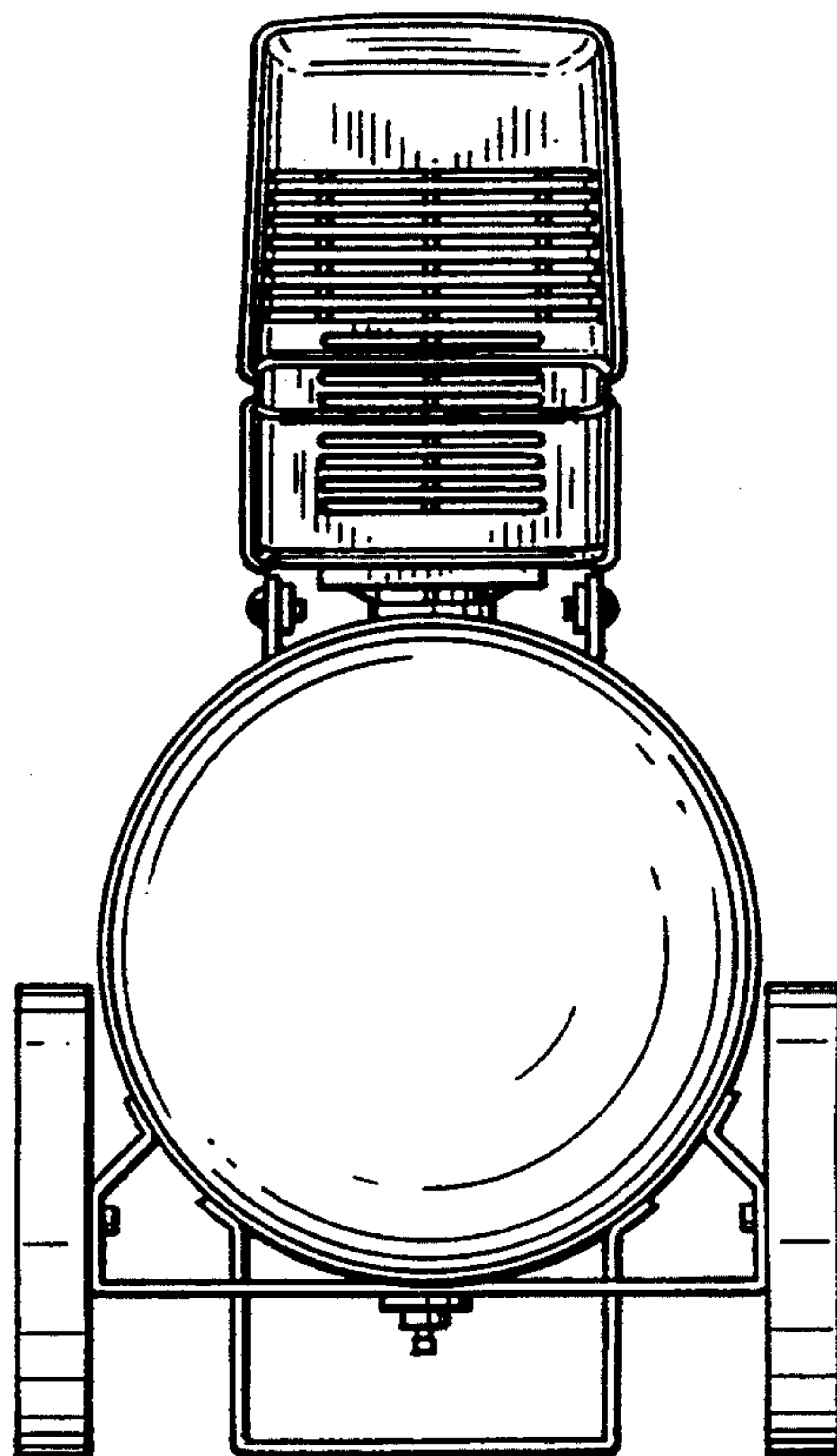


FIG. 5

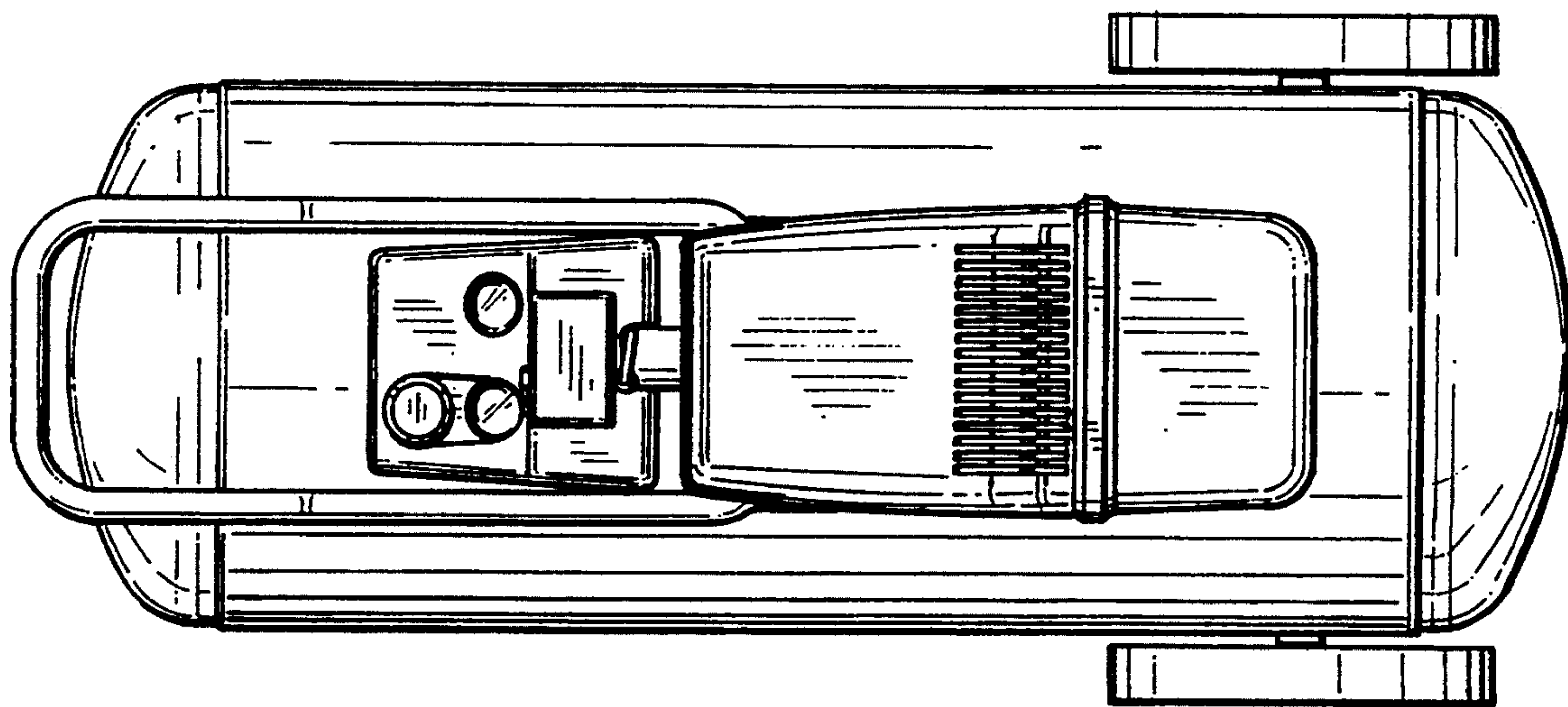


FIG. 6

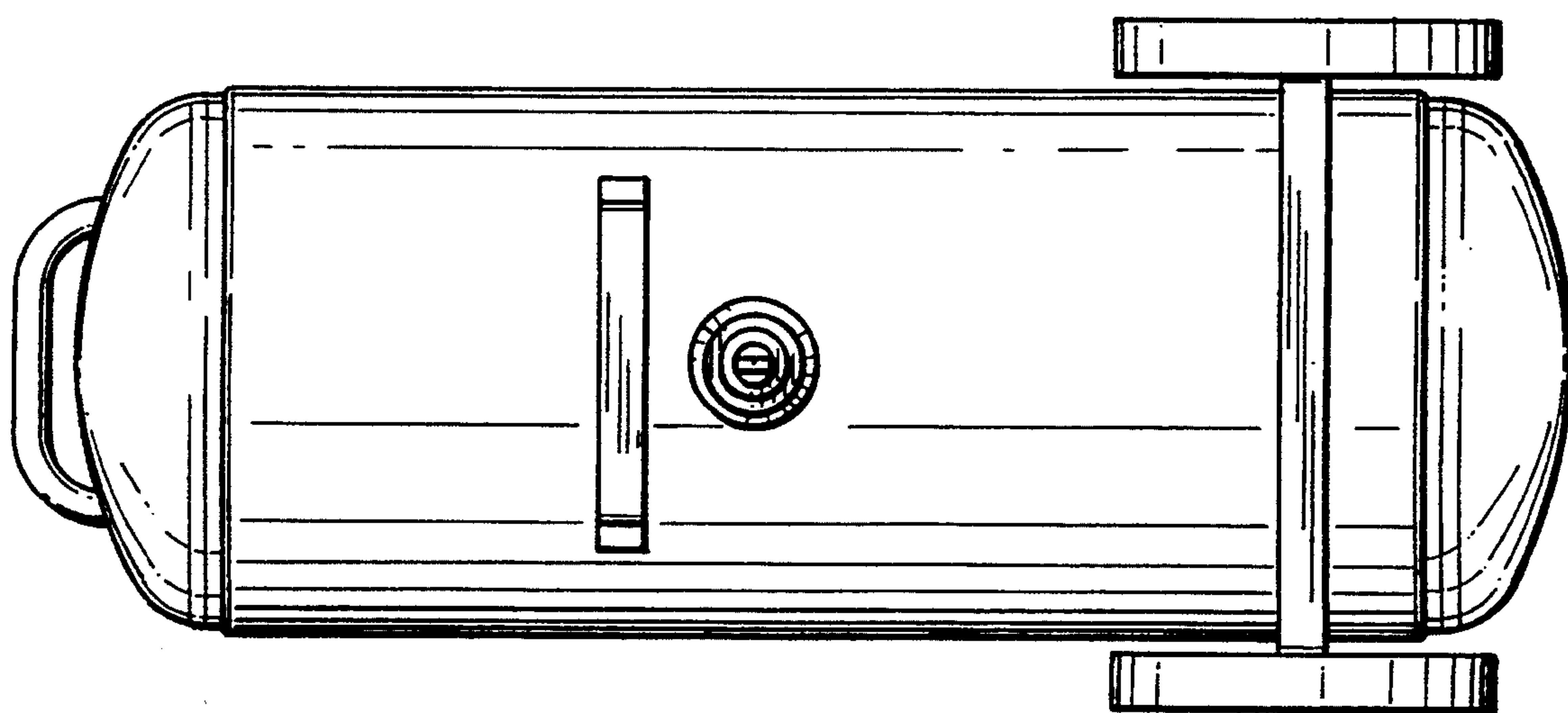


FIG. 7