



US00D352292S

United States Patent [19] Morgan

[11] Patent Number: **Des. 352,292**

[45] Date of Patent: **** Nov. 8, 1994**

[54] **AIR COMPRESSOR**

[75] Inventor: **Fredrick M. Morgan, Jackson, Tenn.**

[73] Assignee: **DeVilbiss Air Power Company,
Jackson, Tenn.**

[**] Term: **14 Years**

[21] Appl. No.: **14,341**

[22] Filed: **Oct. 18, 1993**

[52] U.S. Cl. **D15/9; D15/7**

[58] Field of Search **417/234, 360; 248/675;
D15/1-9.2; D26/38**

D. 301,247	5/1989	Prevosto	D15/9
D. 301,887	6/1989	Price et al.	D15/7
D. 327,891	7/1992	Morgan	D15/9
D. 328,305	7/1992	Wong	D15/9
4,722,673	2/1988	Grime et al.	417/360
5,054,740	10/1991	Wheeler	248/675

Primary Examiner—Ralf T. Seifert

Attorney, Agent, or Firm—MacMillan, Sobanski & Todd

[57] **CLAIM**

The ornamental design for an air compressor, as shown.

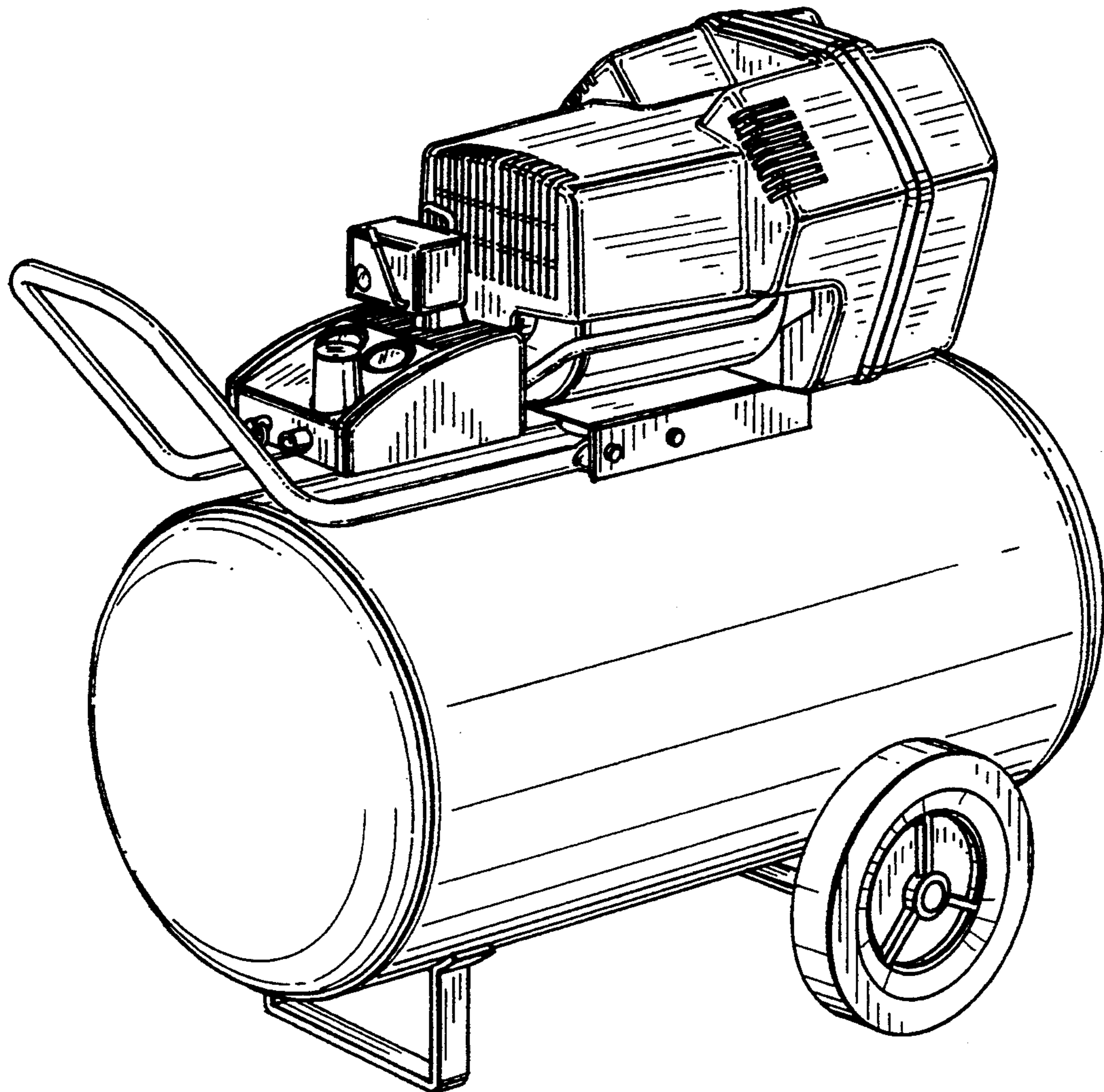
DESCRIPTION

FIG. 1 is a right side perspective view of an air compressor showing my new design;
 FIG. 2 is a right side elevational view thereof;
 FIG. 3 is a front end elevational view thereof;
 FIG. 4 is a left side elevational view thereof;
 FIG. 5 is a rear end elevational view thereof;
 FIG. 6 is a top plan view thereof; and,
 FIG. 7 is a bottom plan view thereof.

[56] **References Cited**

U.S. PATENT DOCUMENTS

D. 281,609	12/1985	Herbst	D15/9
D. 293,446	12/1987	Morgan	D15/9
D. 293,584	1/1988	Morgan	D15/9
D. 293,585	1/1988	Morgan	D15/9
D. 293,682	1/1988	Liou	D15/9



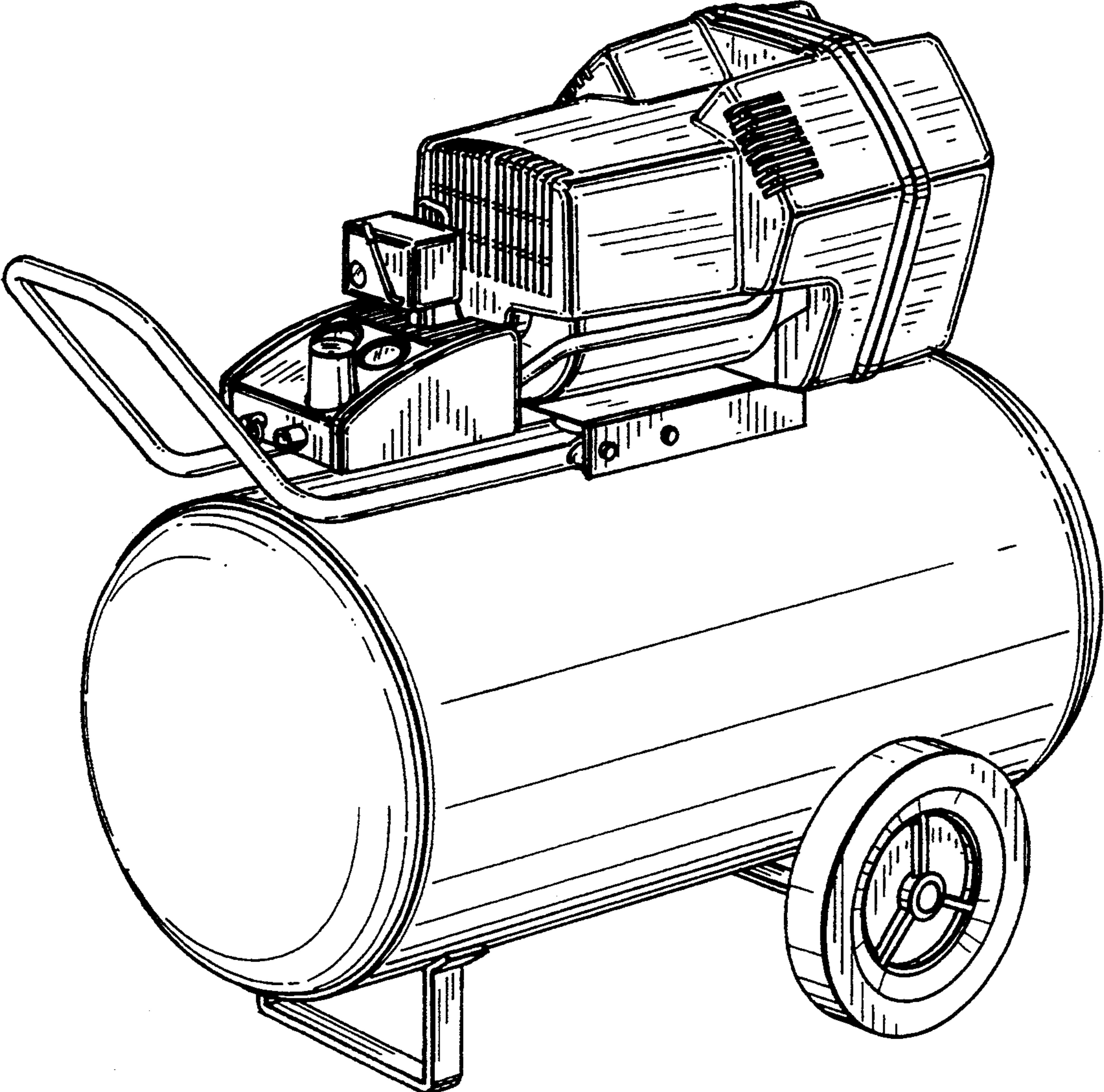


FIG. 1

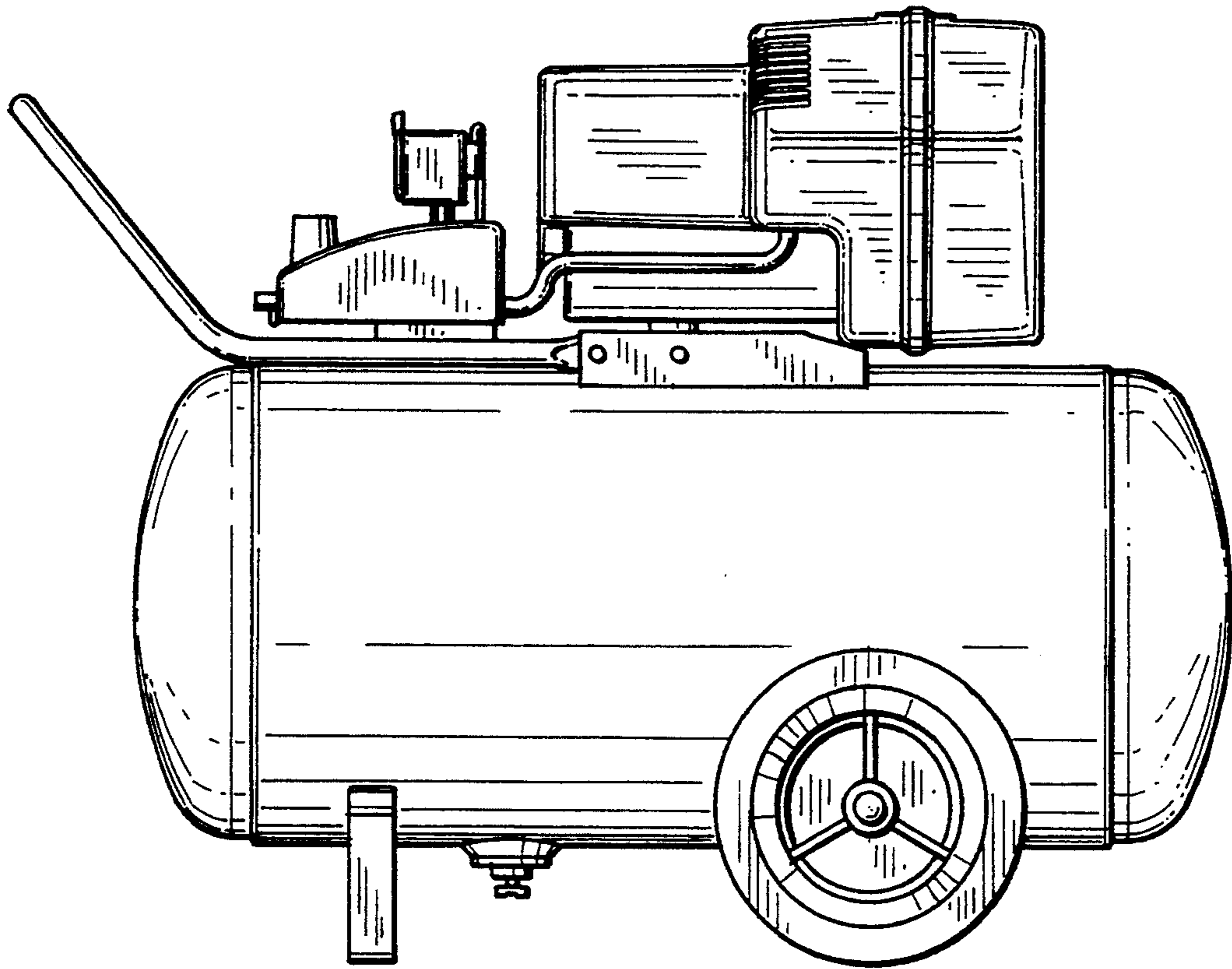


FIG. 2

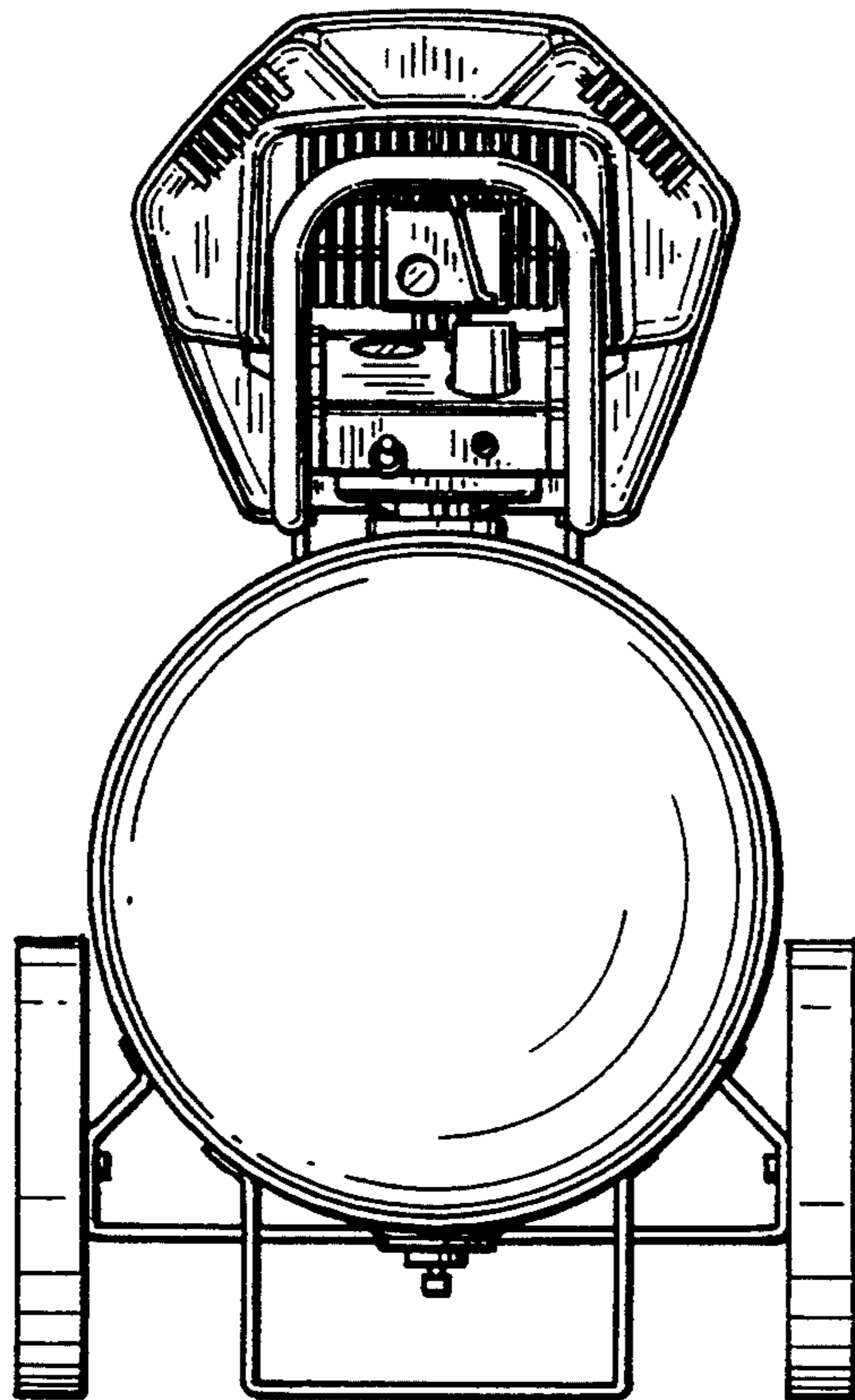


FIG. 3

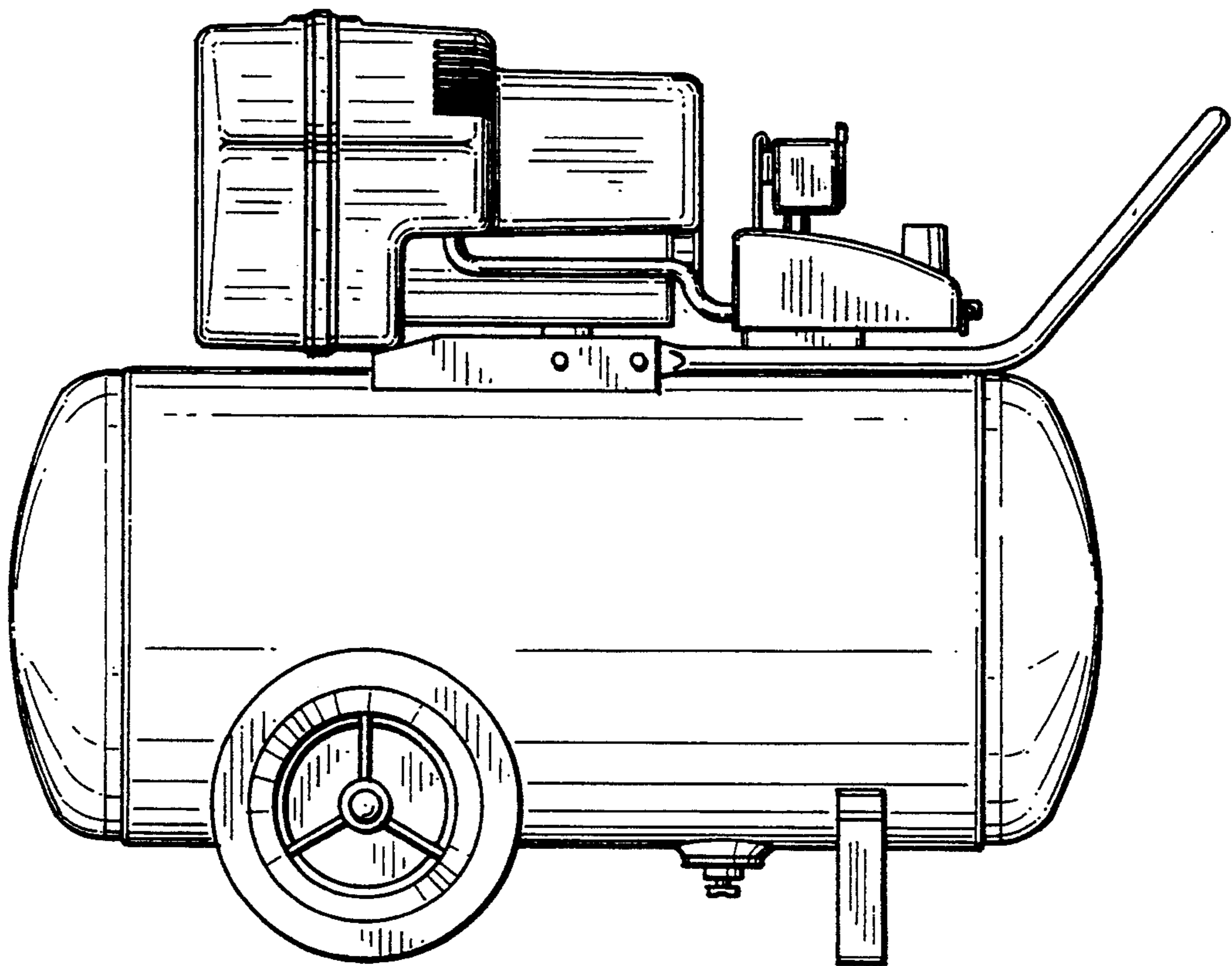


FIG. 4

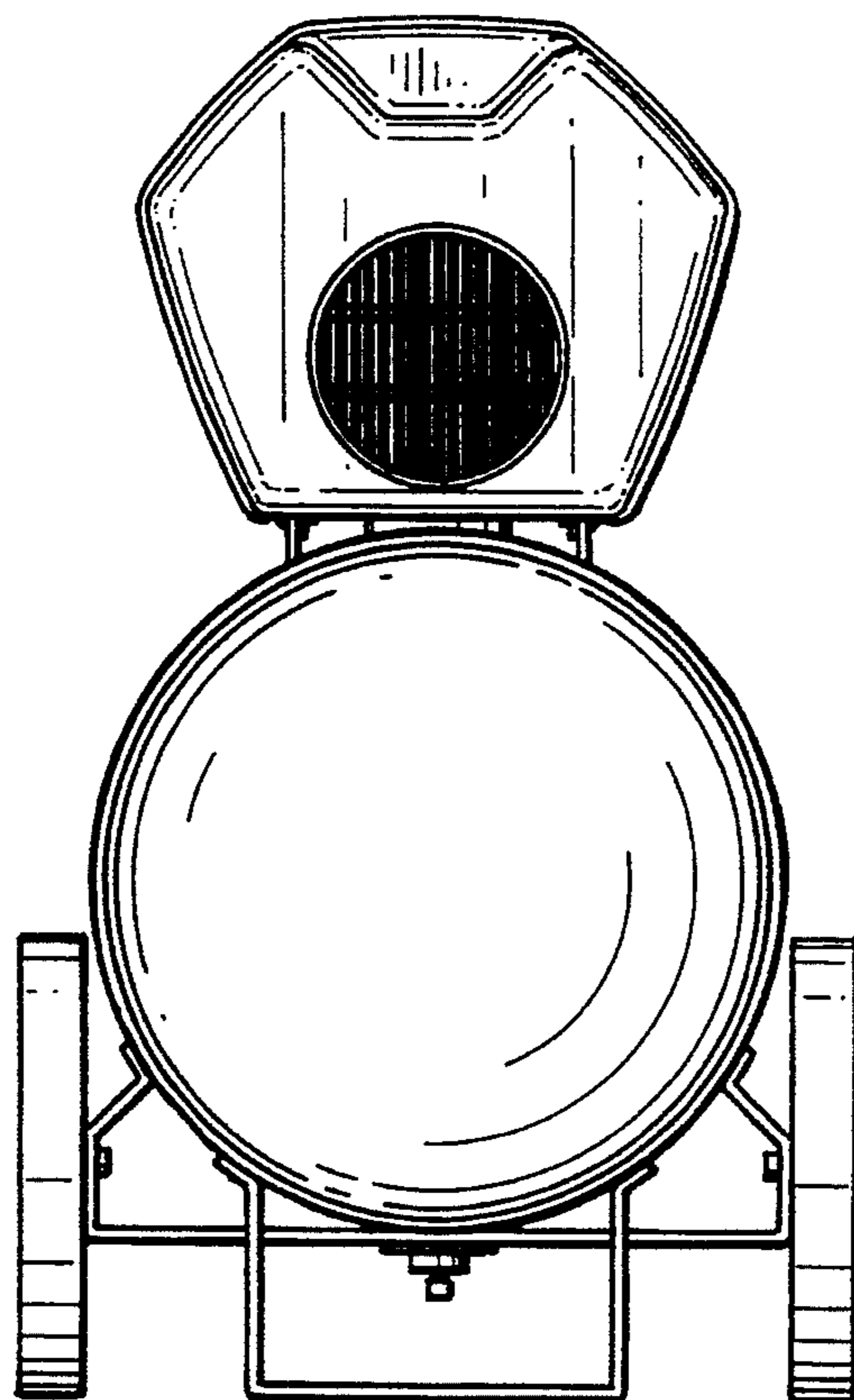


FIG. 5

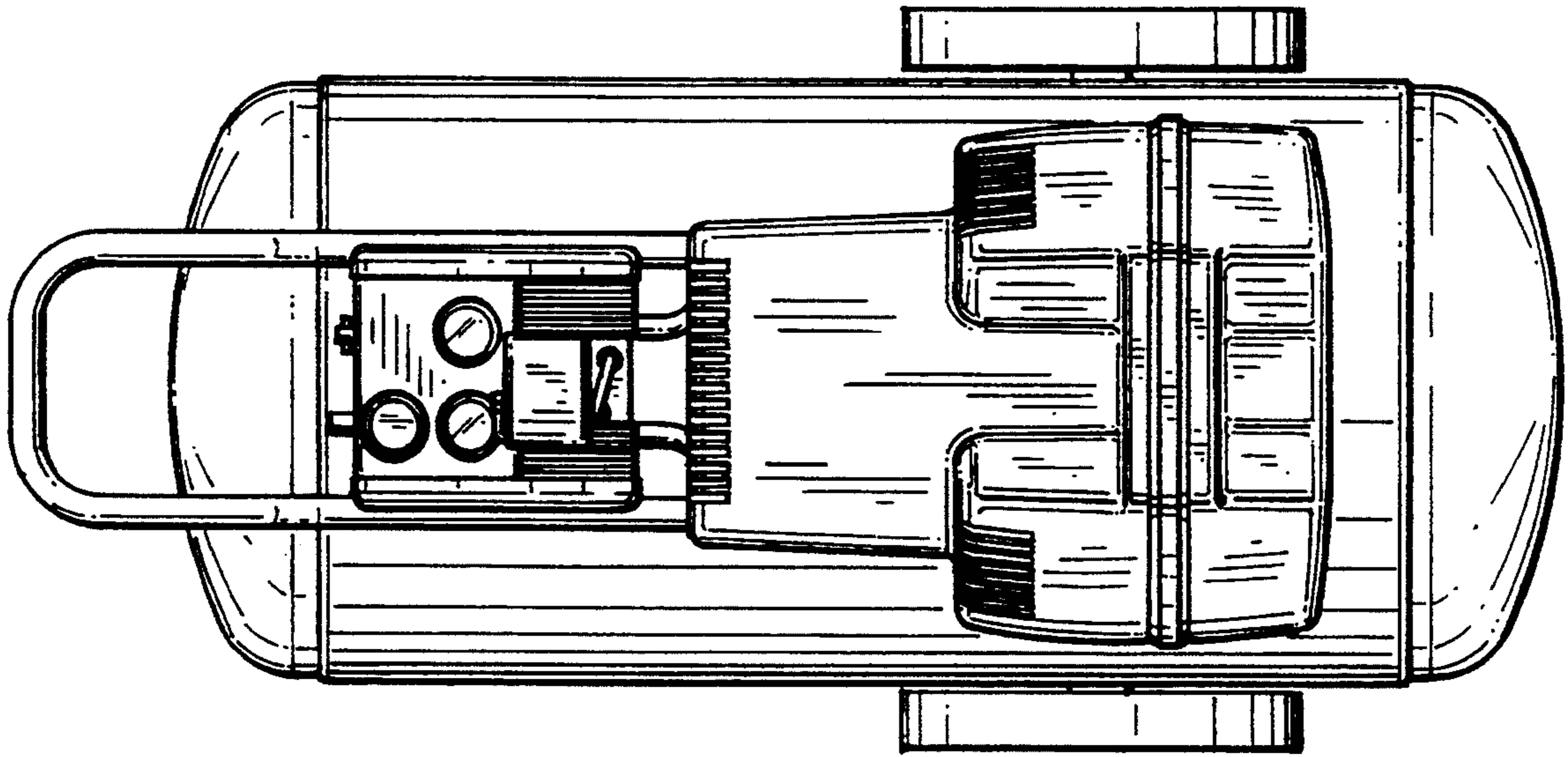


FIG. 6

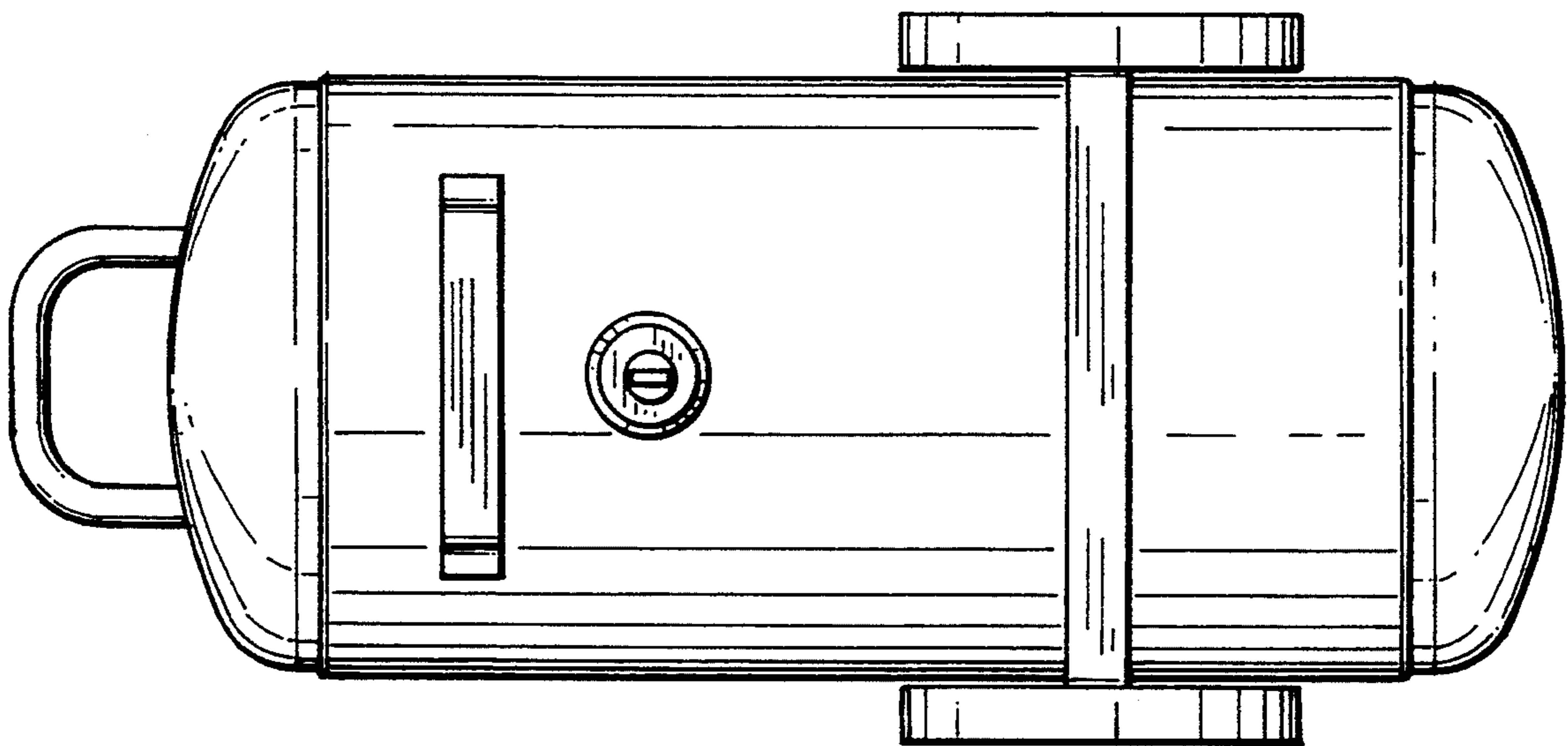


FIG. 7