



US00D352290S

United States Patent [19] Rak

[11] Patent Number: **Des. 352,290**

[45] Date of Patent: **** Nov. 8, 1994**

[54] **POCKET-SIZE RADIO PACKET MODEM**

[75] Inventor: **Roman P. Rak**, Delta, Canada

[73] Assignee: **Motorola, Inc.**, Schaumburg, Ill.

[**] Term: **14 Years**

[21] Appl. No.: **906,123**

[22] Filed: **Jun. 29, 1992**

[52] U.S. Cl. **D14/242; D14/107**

[58] Field of Search 174/1, 50, 52, 67;
361/641, 658, 673, 679, 724, 728, 730, 825;
D14/299, 107, 109, 137, 149, 242

[56] **References Cited**

U.S. PATENT DOCUMENTS

- D. 311,911 11/1990 Ueno et al. D14/107
- D. 337,328 7/1993 Beaumont et al. D13/184 X

- D. 344,954 3/1994 Scheid et al. D14/242
- D. 348,070 6/1994 Vallilee D14/107 X
- 4,794,620 12/1988 Moore et al. 375/8

Primary Examiner—Bernard Ansher
Assistant Examiner—Mitchell I. Siegel
Attorney, Agent, or Firm—Donald B. Southard

[57] **CLAIM**

The ornamental design for a pocket-size radio packet modem, as shown and described.

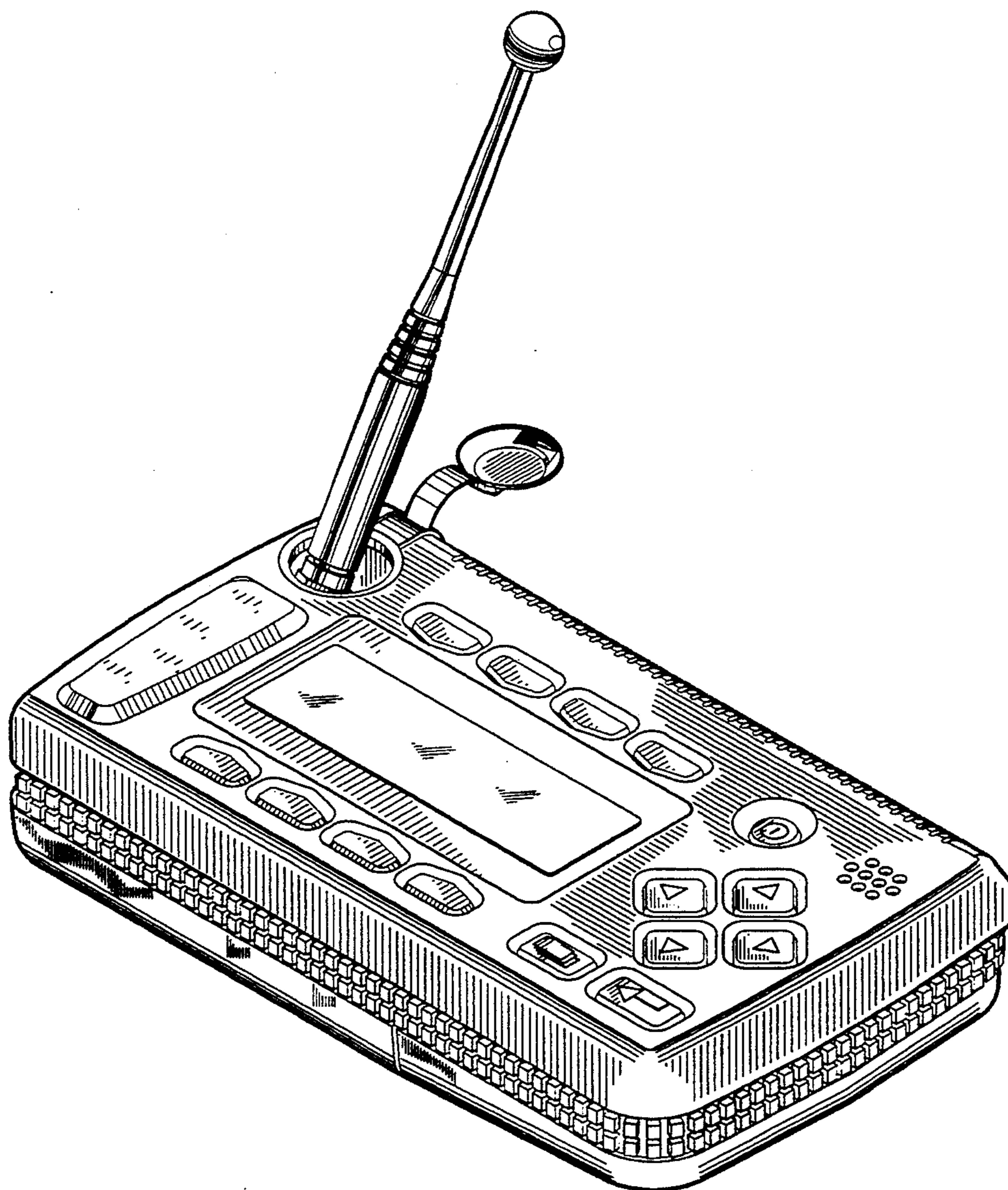
DESCRIPTION

FIG. 1 is a front, top, right side view in perspective showing my new design for a pocket-size radio packet modem;

FIG. 2 is a left side elevational view thereof;

FIG. 3 is a rear elevational view thereof; and,

FIG. 4 is a bottom plan view thereof.



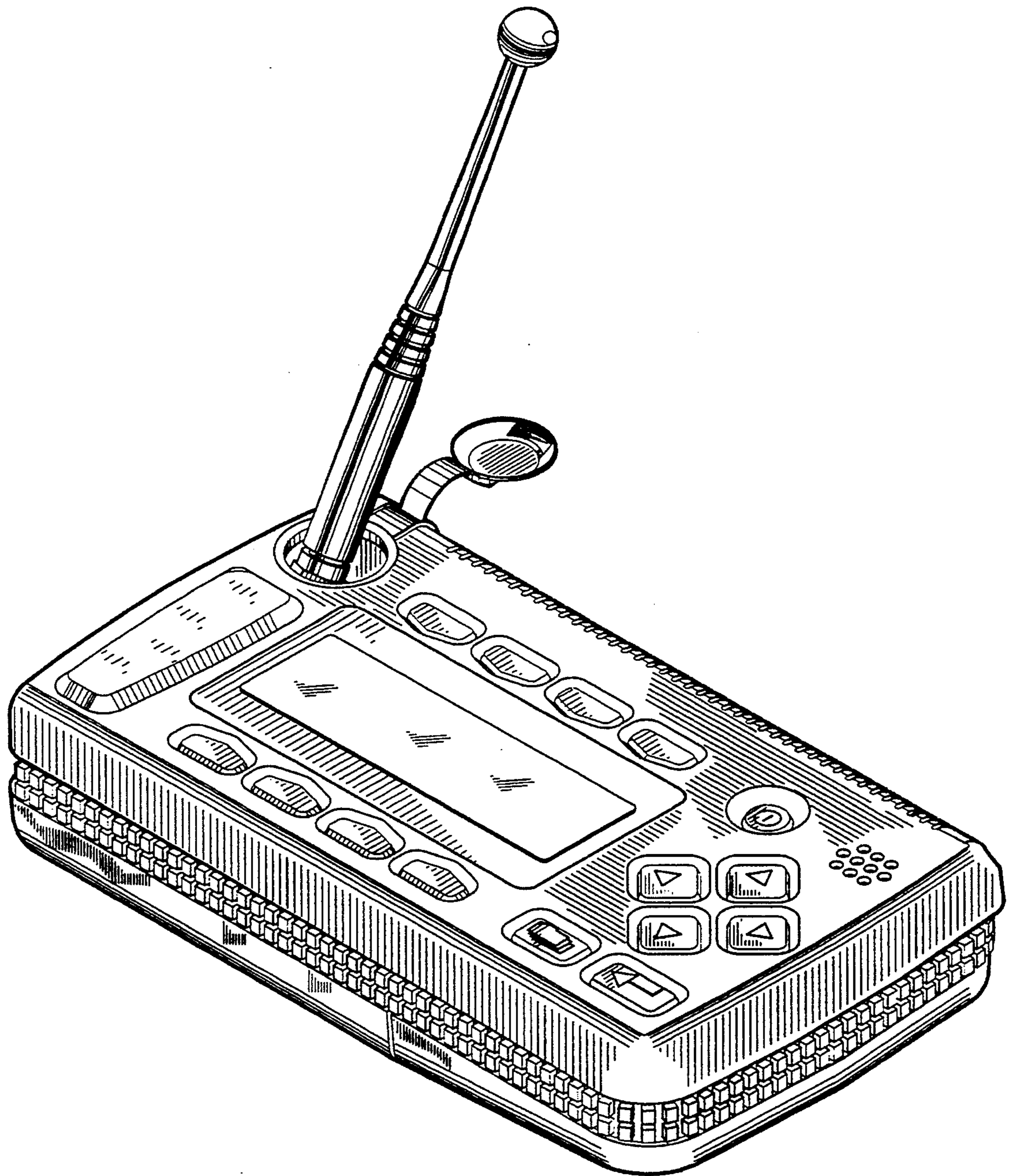


FIG.1

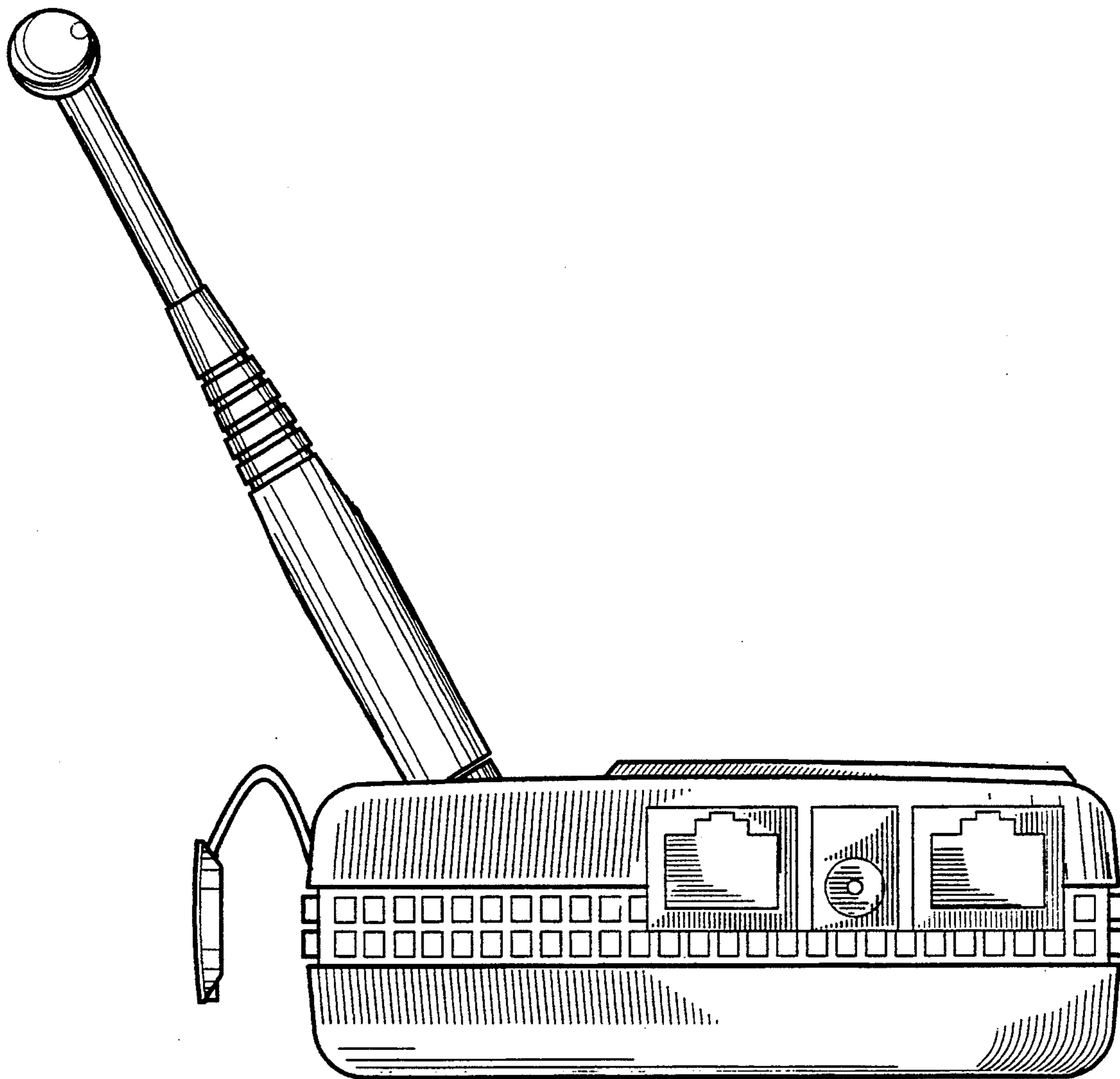


FIG. 2

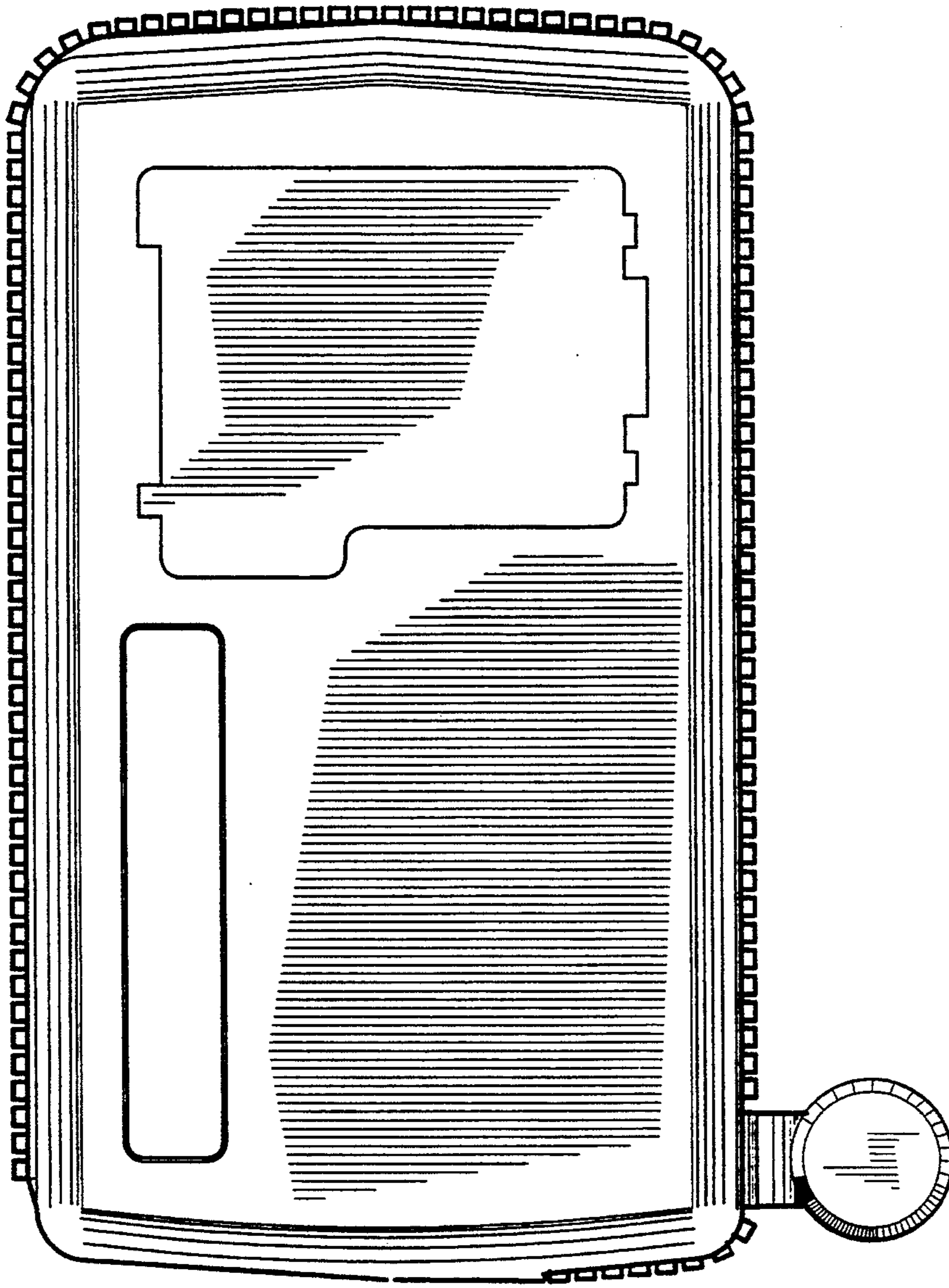


FIG. 3

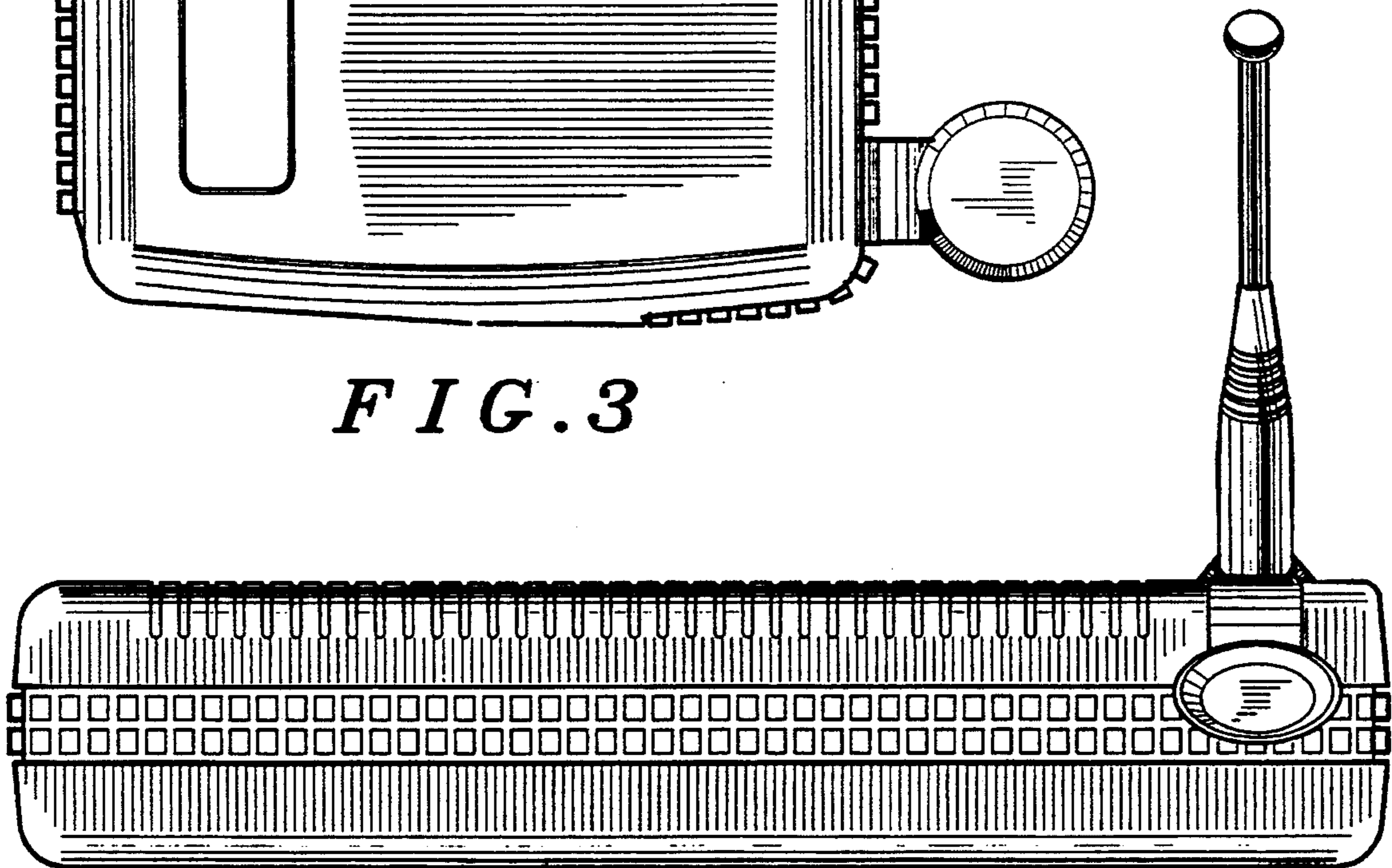


FIG. 4