



US00D352288S

United States Patent [19]

Wilson

[11] Patent Number: Des. 352,288

[45] Date of Patent: ** Nov. 8, 1994

[54] REMOTE CONTROL

[76] Inventor: Darren J. Wilson, 7190 Lakeside Dr., Indianapolis, Ind. 46278

[**] Term: 14 Years

[21] Appl. No.: 896,345

[22] Filed: Jun. 11, 1992

[52] U.S. Cl. D14/218

[58] Field of Search 455/151.1, 352-355; 358/194.1; D14/124, 217-218, 299; D13/168; D18/6-7, 11

[56] References Cited

U.S. PATENT DOCUMENTS

- D. 185,741 7/1959 De Jager D14/218
- D. 297,429 8/1988 Pedinielli et al. D18/7 X
- D. 308,359 6/1990 Lauchnor et al. D13/168 X

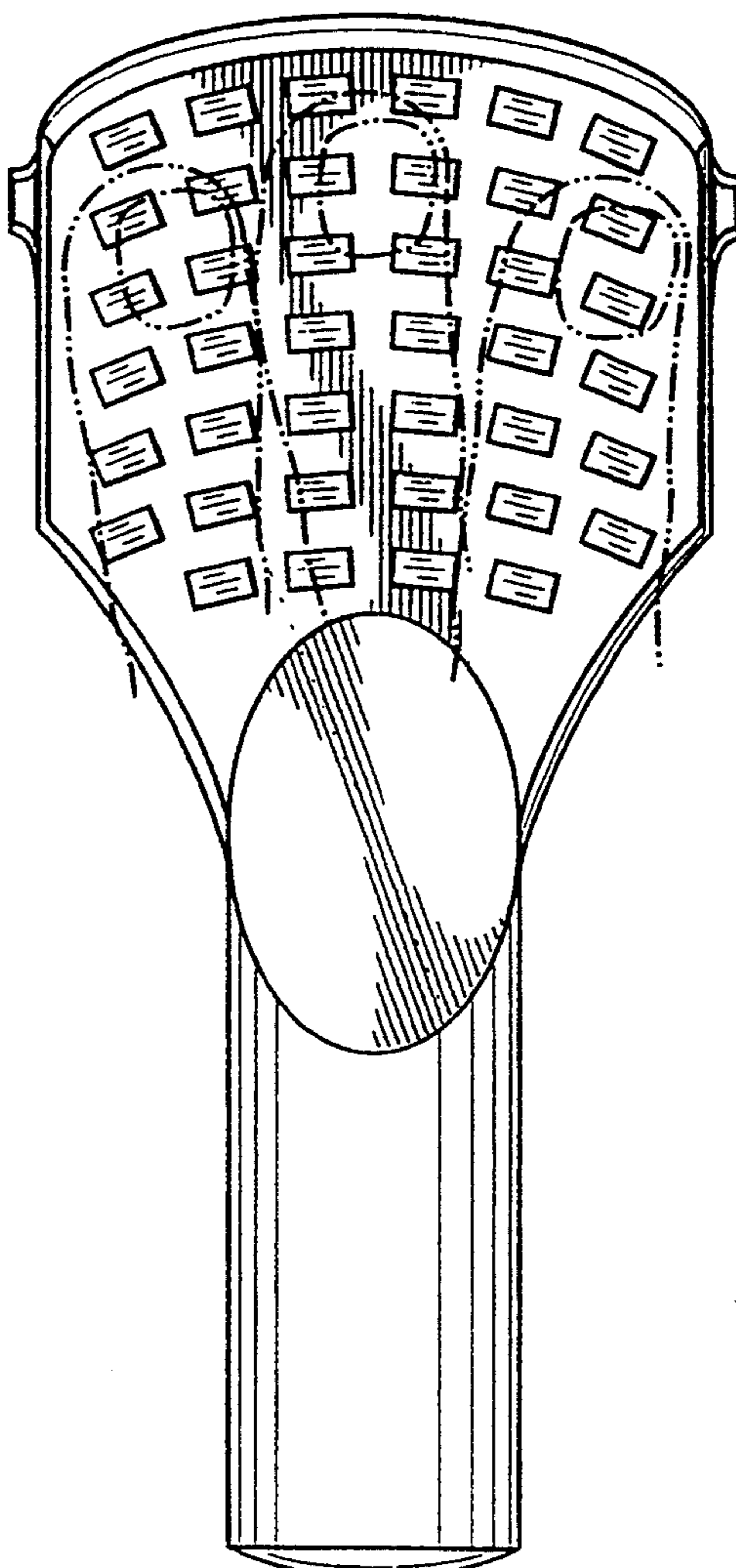
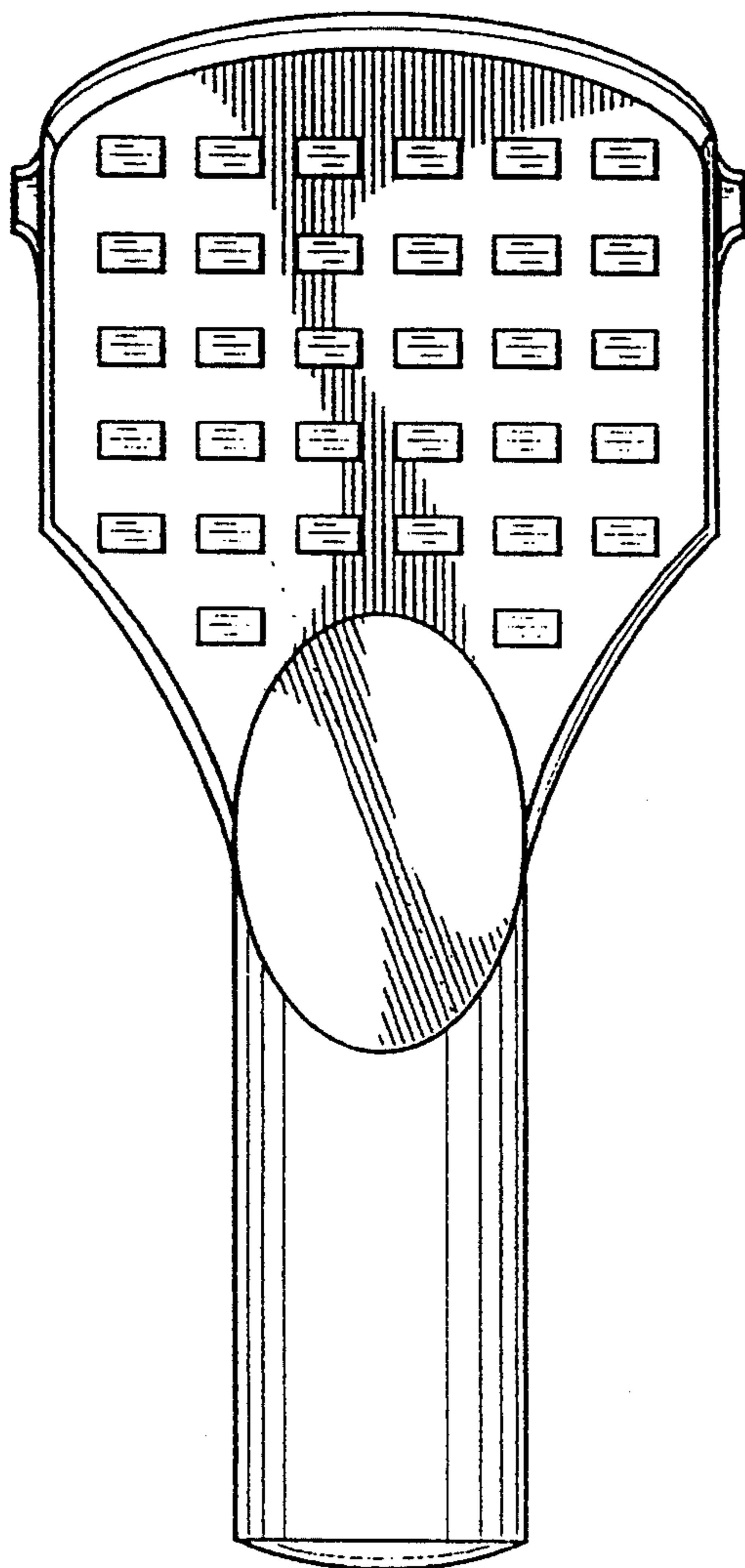
Primary Examiner—Theodore M. Shooman
Attorney, Agent, or Firm—Philip A. Dalton

[57] CLAIM

The ornamental design for a remote control, as shown and described.

DESCRIPTION

FIG. 1 is a top plan view of a remote control, showing my new design;
 FIG. 2 is a right side elevation view thereof, the left side being a mirror image;
 FIG. 3 is a front elevation view thereof;
 FIG. 4 is a rear elevation view thereof;
 FIG. 5 is a bottom plan view thereof; and,
 FIG. 6 is a top plan view of a second embodiment of the remote control illustrated in FIG. 1.
 The views of the second embodiment not illustrated are the same as the corresponding views of the embodiment illustrated in FIG. 1.
 The broken line showing of the user's fingers in FIG. 6 is for illustrative purposes only and forms no part of the claimed design.



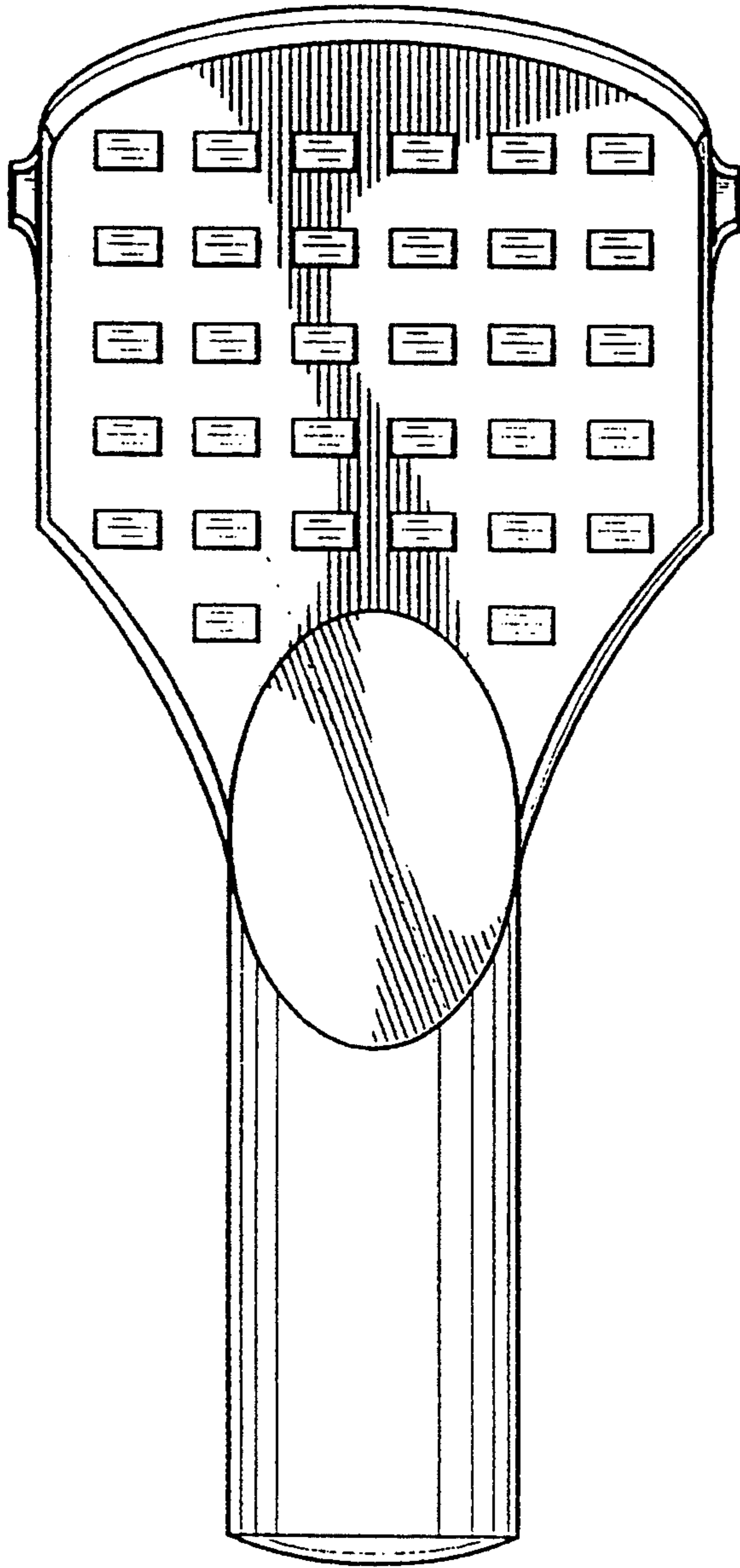


Figure 1

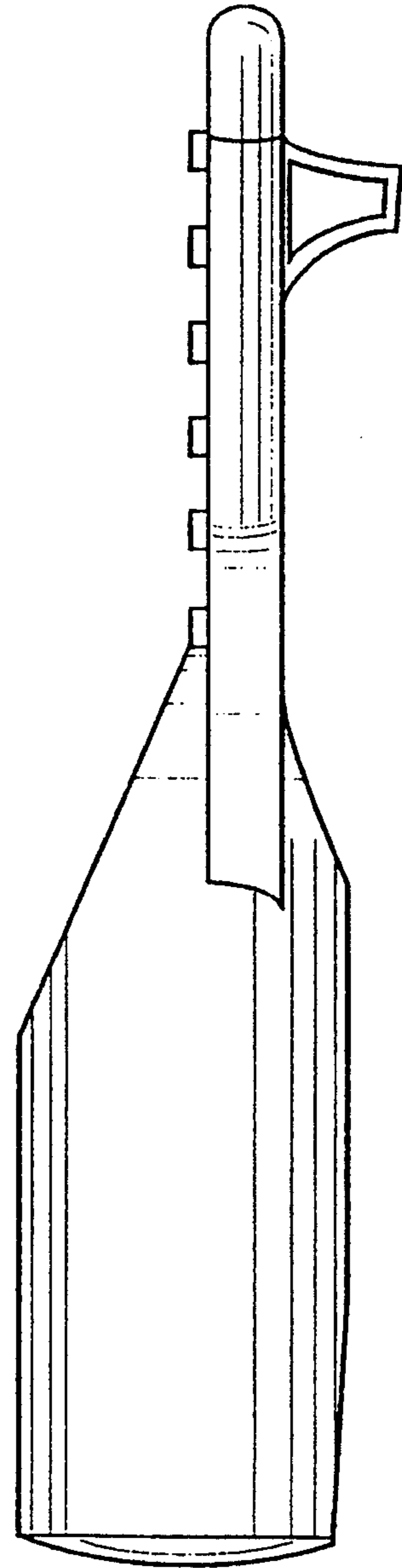


Figure 2

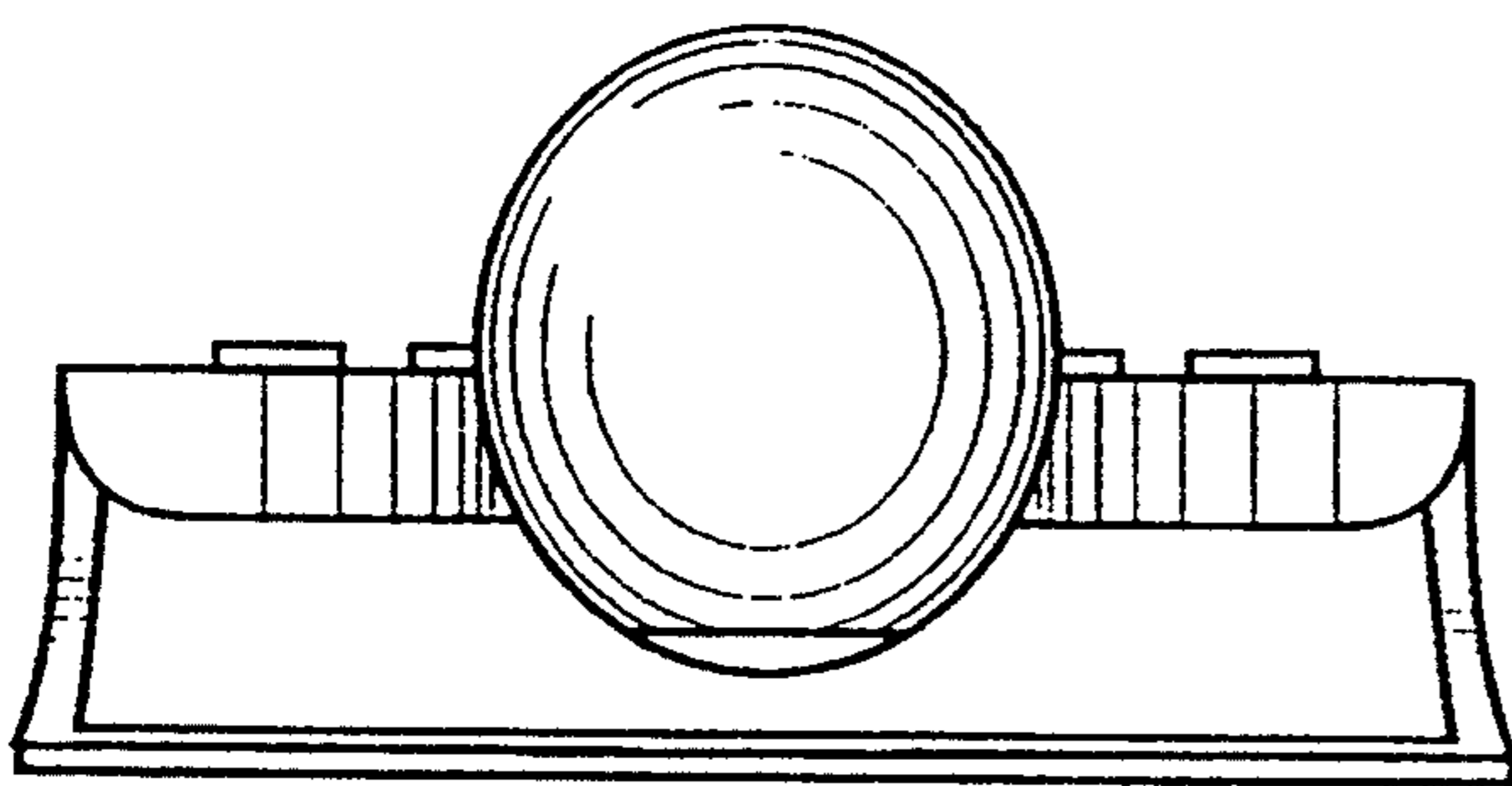


Figure 3

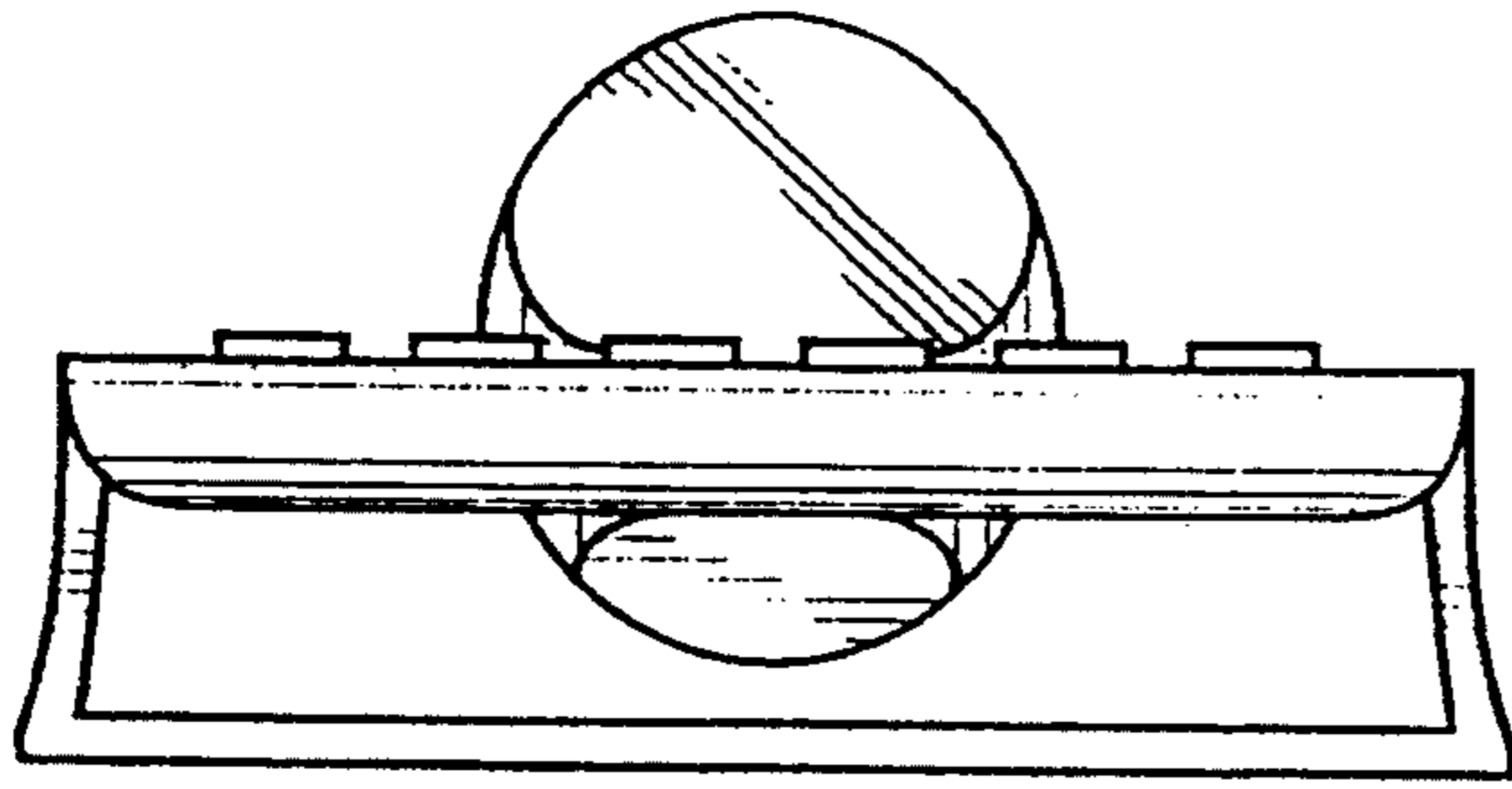


Figure 4

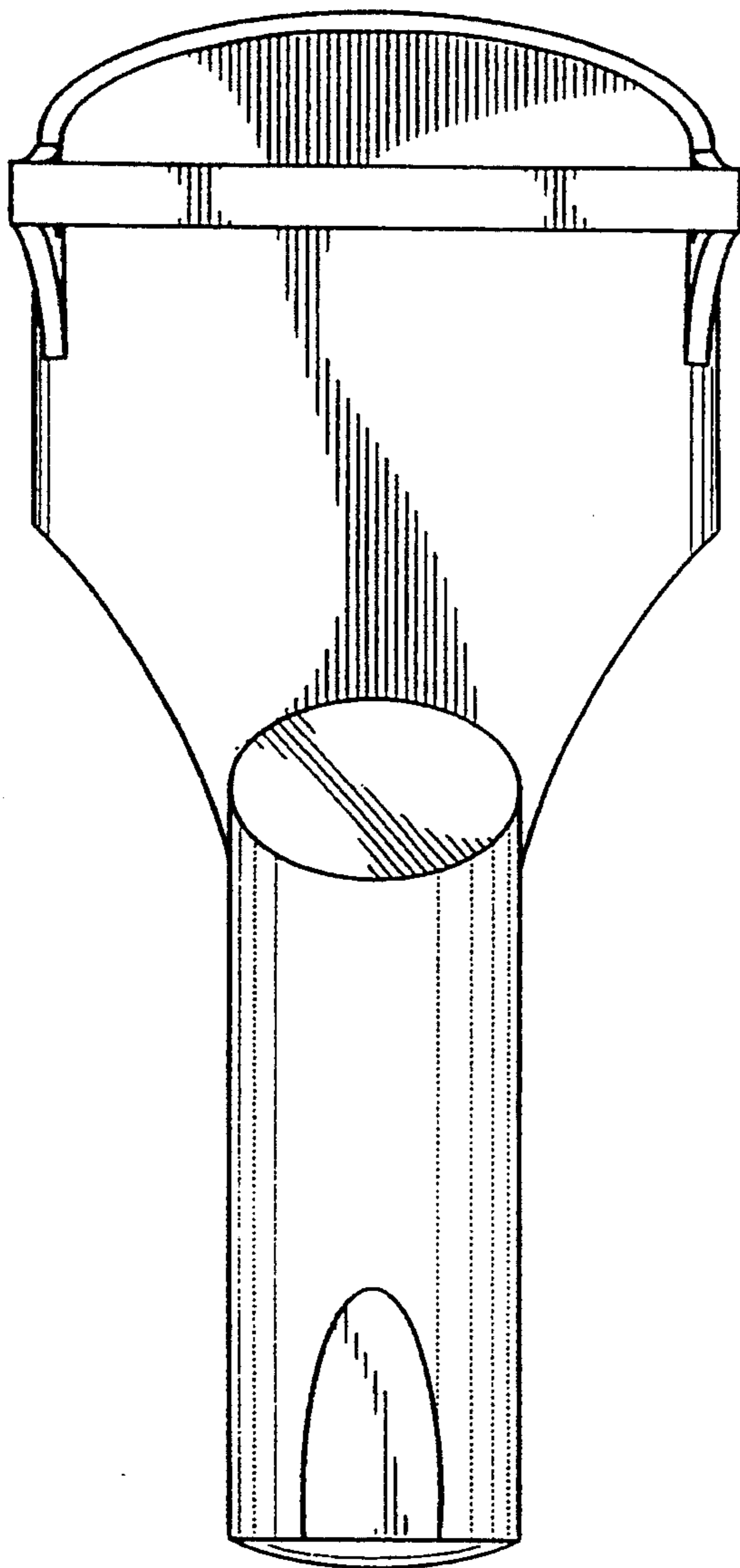


Figure 5

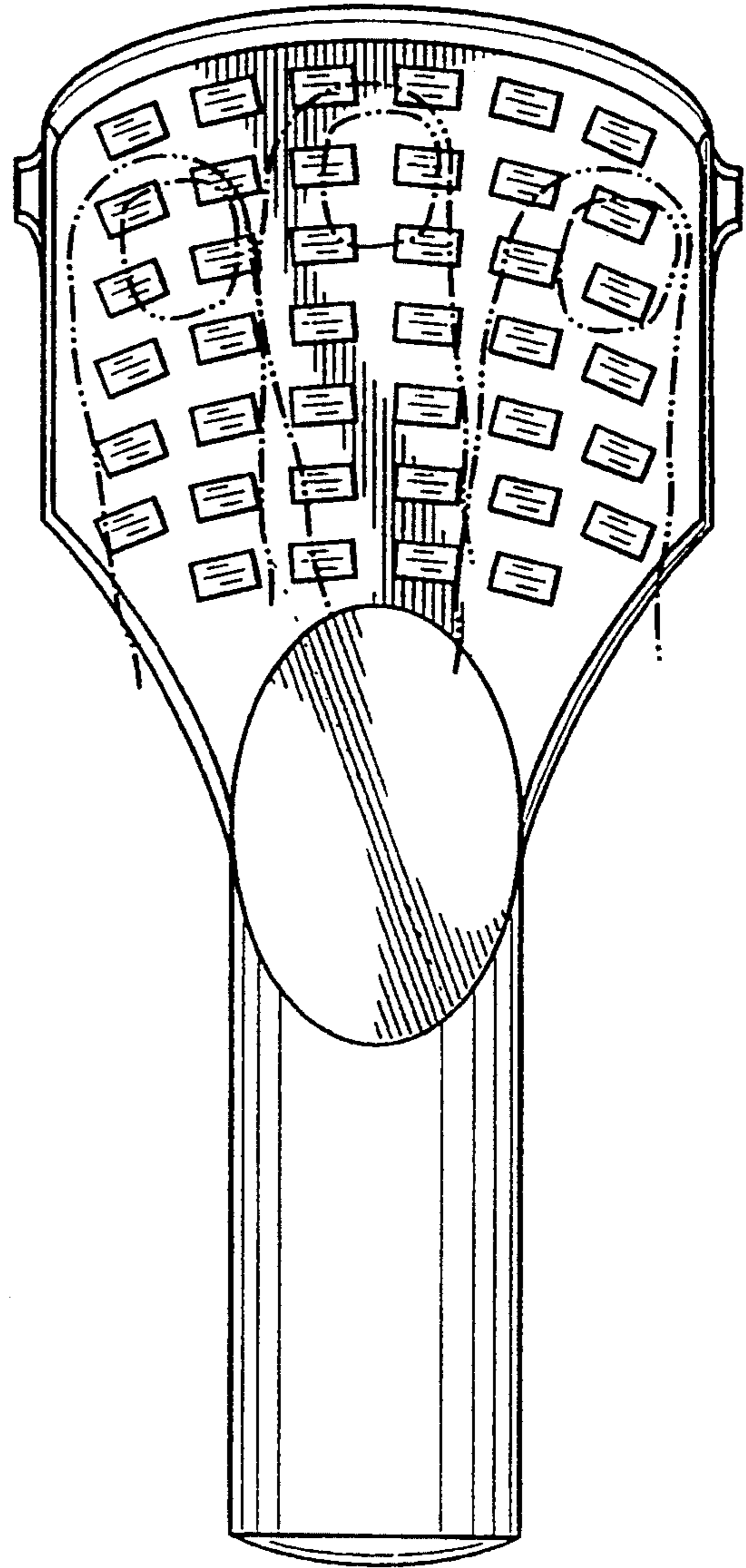


Figure 6