



US00D352280S

United States Patent [19]

[11] Patent Number: **Des. 352,280**

Calco

[45] Date of Patent: **** Nov. 8, 1994**

[54] COMPUTER KEYBOARD

[75] Inventor: **Wayne Calco**, San Francisco, Calif.

[73] Assignee: **Intellitools, Inc.**, Richmond, Calif.

[**] Term: **14 Years**

[21] Appl. No.: **905,845**

[22] Filed: **Jun. 26, 1992**

[52] U.S. Cl. **D14/115; D14/113**

[58] Field of Search 235/145 A, 145 R;
345/168, 169, 172, 173; 400/486, 489; 178/18,
19; D14/100, 106, 113, 115; D19/59, 60, 62

[56] References Cited

U.S. PATENT DOCUMENTS

D. 266,762 11/1982 Gibson D14/113 X

D. 293,579 1/1988 Davis D14/113

D. 323,324 1/1992 Suda D14/113 X

OTHER PUBLICATIONS

Mac World-Apr. 1990 p. 209 Mac Point computer keyboard-(bottom right corner).

Primary Examiner—Wallace R. Burke
Assistant Examiner—Freda S. Nunn
Attorney, Agent, or Firm—H. Michael Brucker

[57] CLAIM

The ornamental design for a computer keyboard, as shown and described.

DESCRIPTION

FIG. 1 is a perspective view of the computer keyboard with its stand in the open position showing our new design;

FIG. 2 is a front elevational view with the stand in a closed position on an enlarged scale;

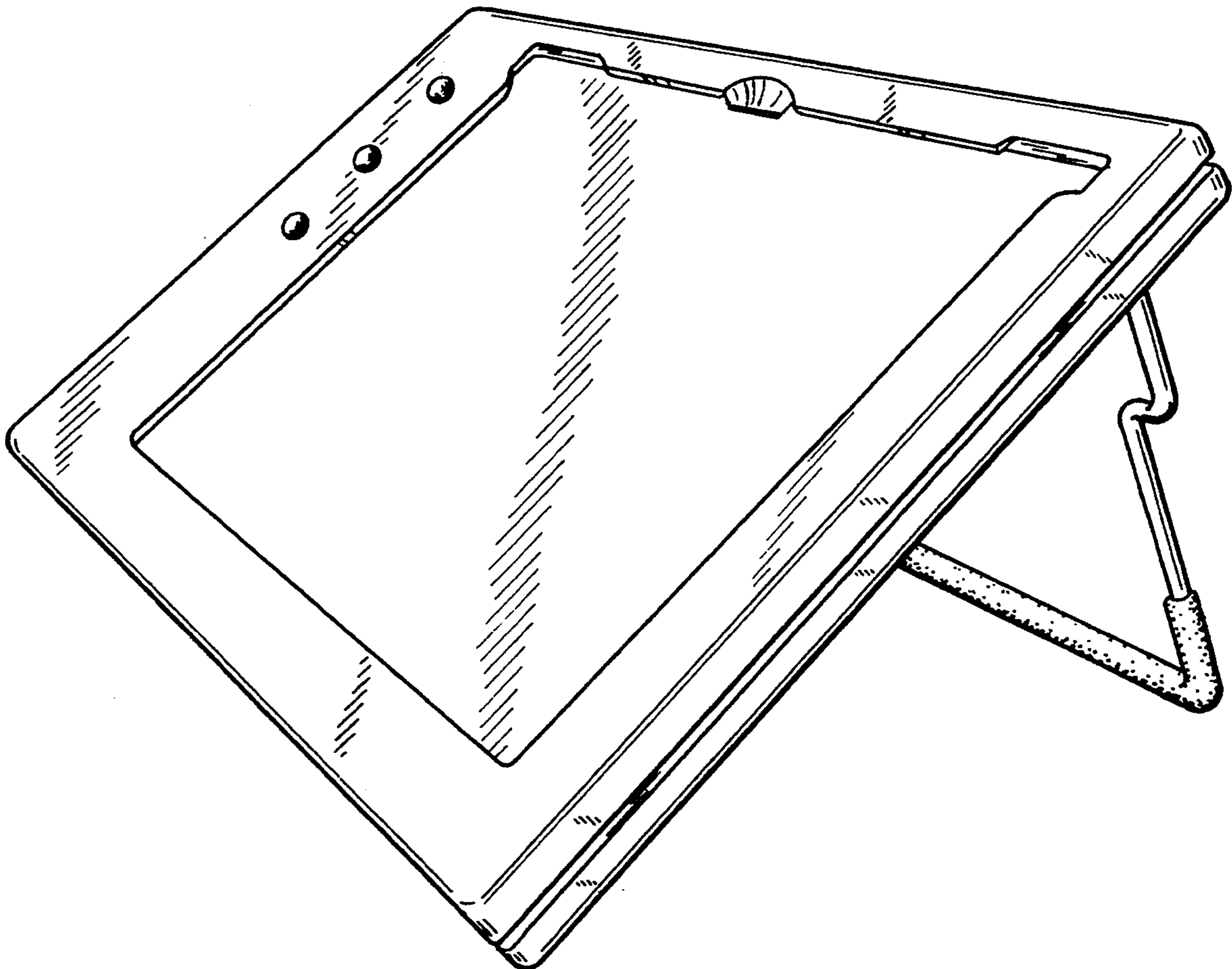
FIG. 3 is a left side elevational view with the stand in a closed position;

FIG. 4 is a rear elevational view with the stand in a closed position;

FIG. 5 is a right side elevational view with the stand in a closed position;

FIG. 6 is a top plan view; and,

FIG. 7 is a bottom plan view with the stand in a closed position.



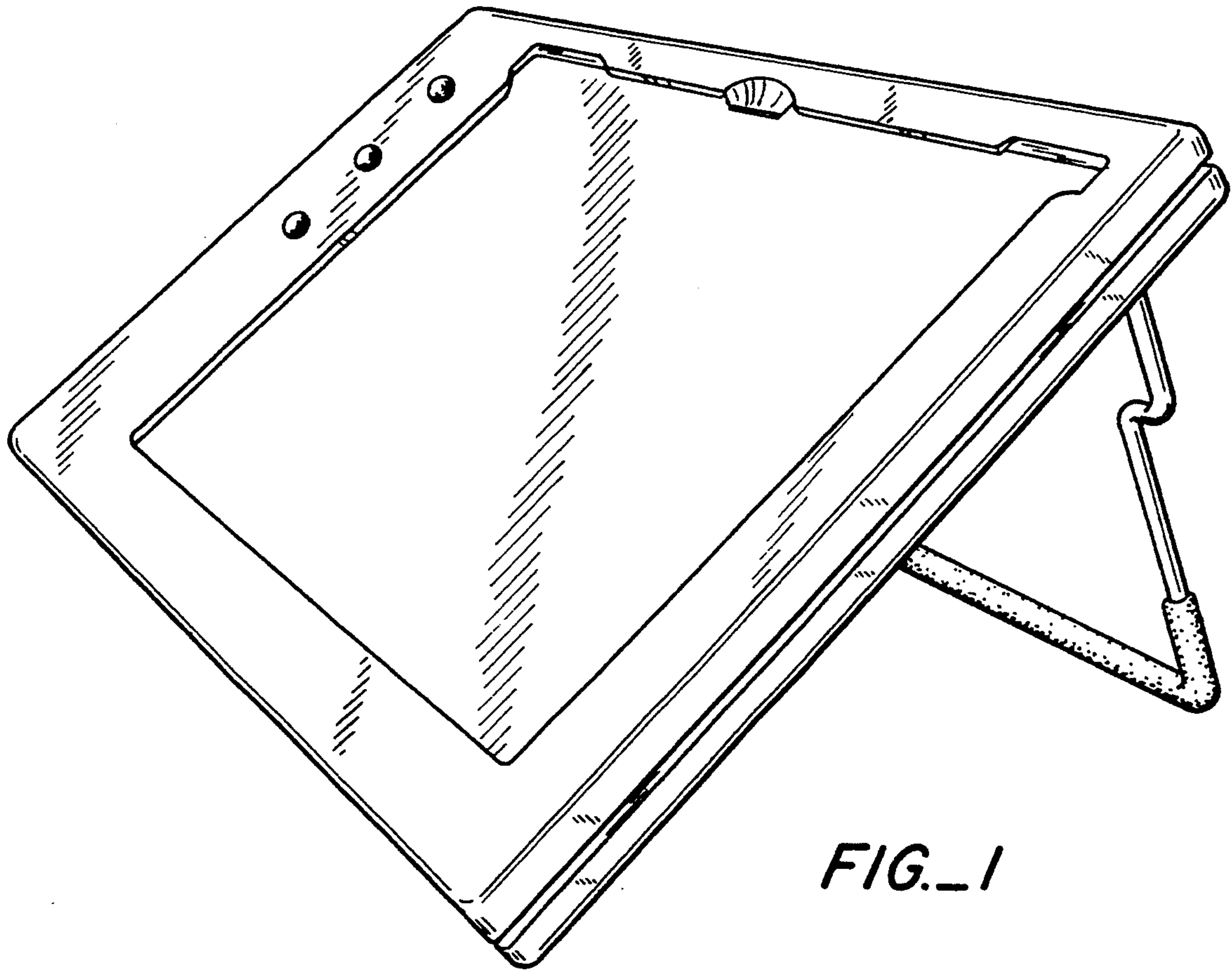


FIG. 1

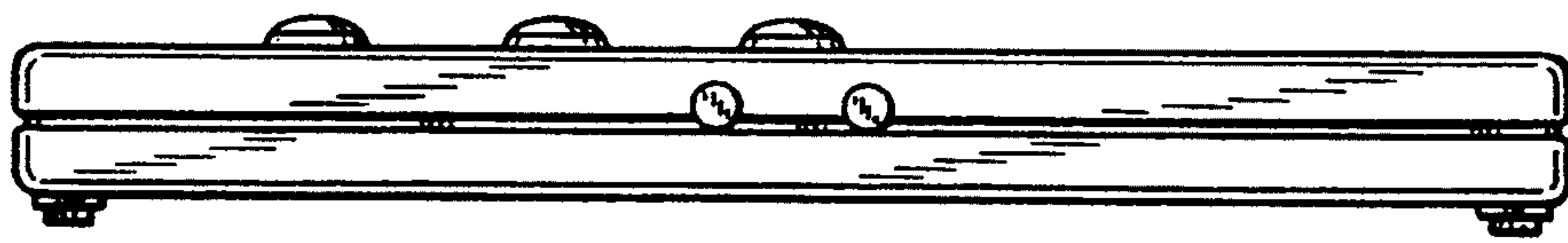


FIG. 3

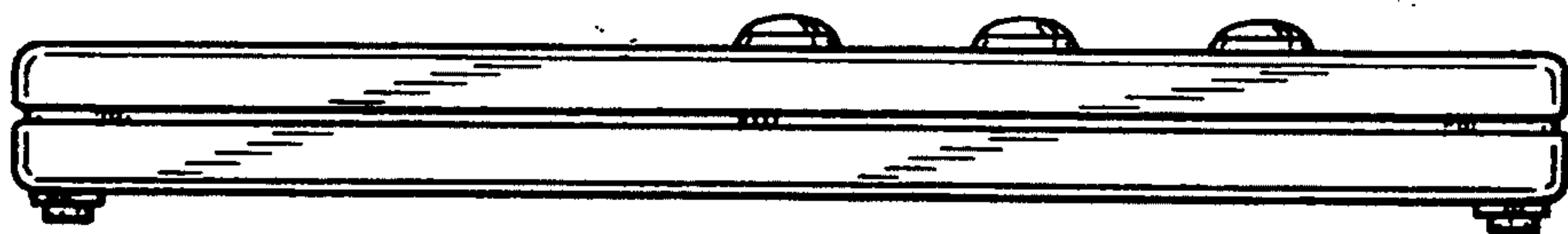


FIG. 5

FIG.-2

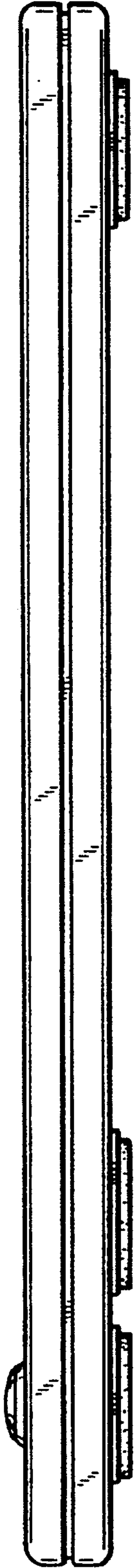


FIG.-6

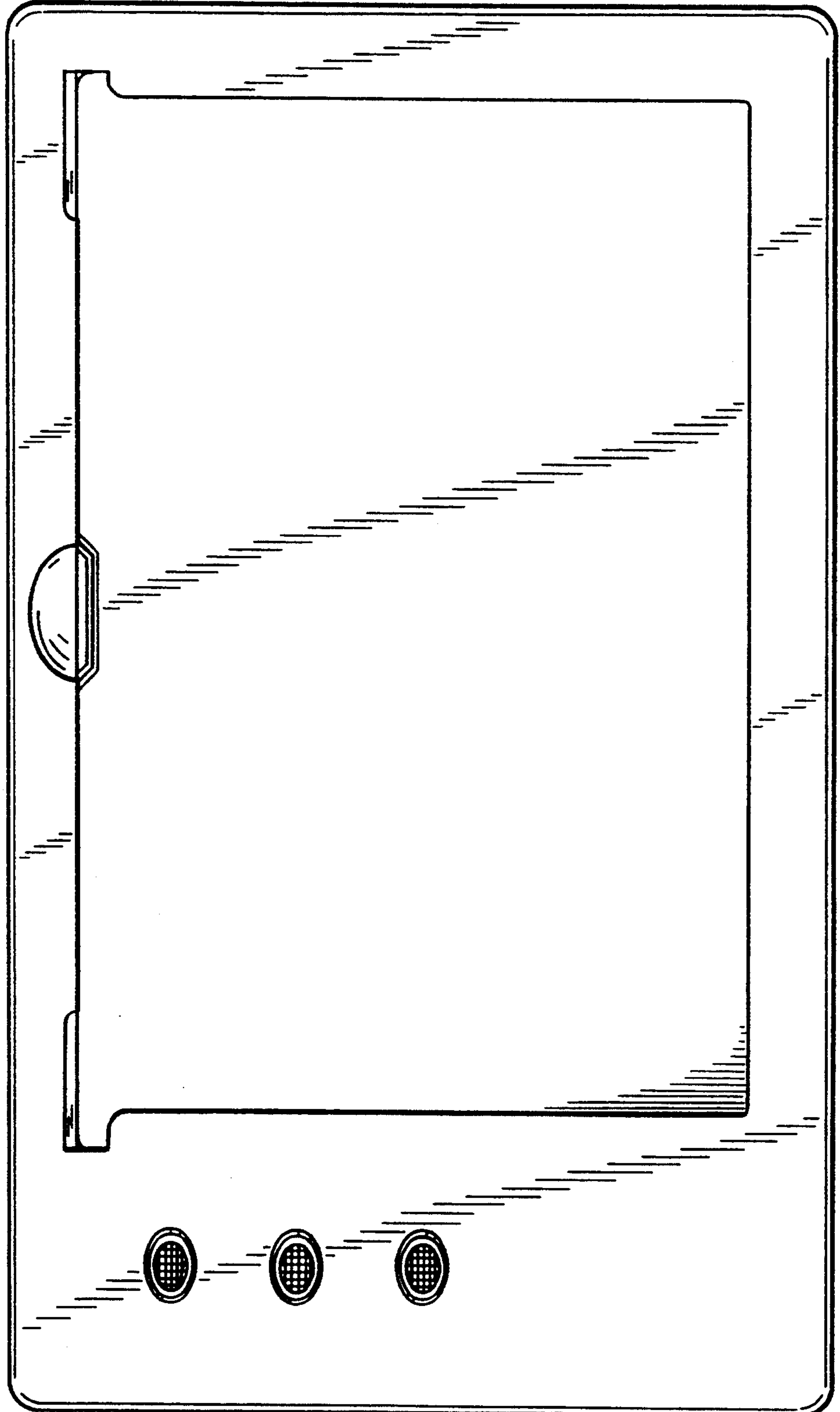


FIG. 4

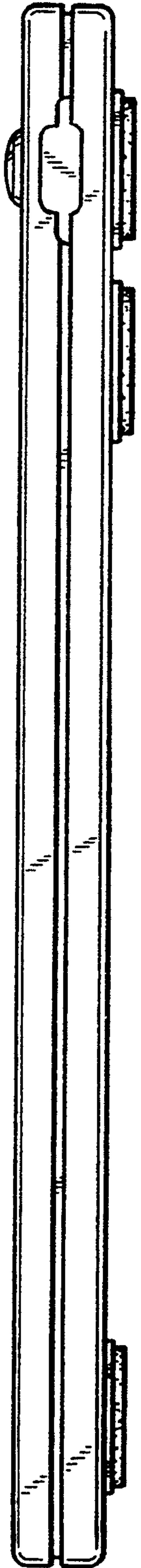


FIG. 7

